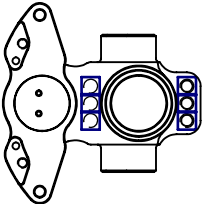
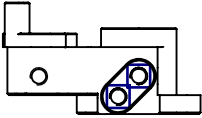



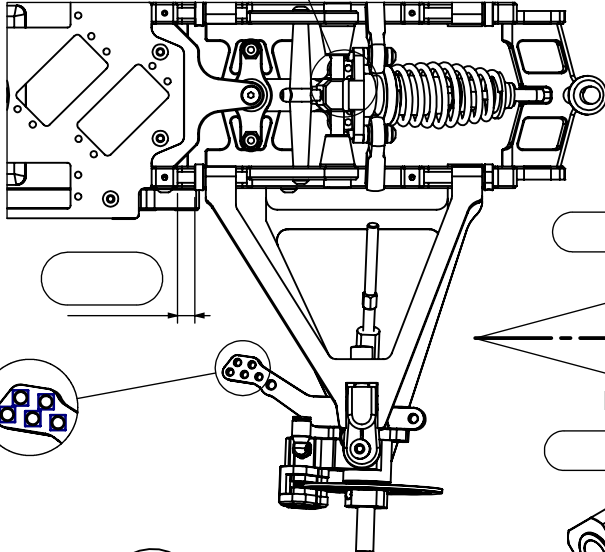
# SET-UP SHEET GENIUS FR2

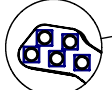
Driver			
Track			
Date			
Track Temp			
Condition	Technical	Mixed	Fast
Traction	Low	Medium	High
<b>Shocks</b>			
	Oil	Spring	Hole
Front			
Rear			
<b>Tires</b>			
	Dx	Sx	aditive
Front			
Rear			
Body			
Engine			
Air Filter			
Exhaust			
Clutch			
<b>Transmission</b>			
<b>Engine</b>			
31	32	33	34
<b>Midle axle</b>			
24			25
<b>Total Ratio</b>			
<b>Differential unit</b>			
Model			
	Oil	Grease	
Set-up			
<b>Note</b>			

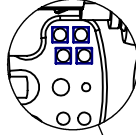



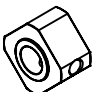
**Front** N.....

	Top	Bottom
		
3mm		
4mm		
6mm		

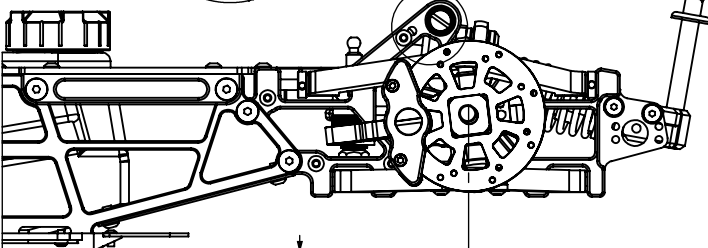







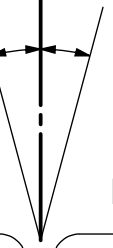


11.5 | 12.5 | 13.5

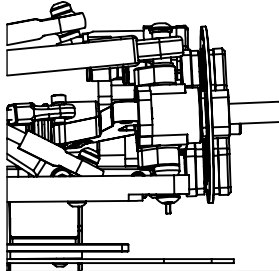


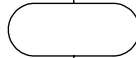
Chassis






R      L



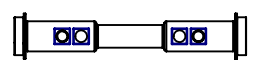
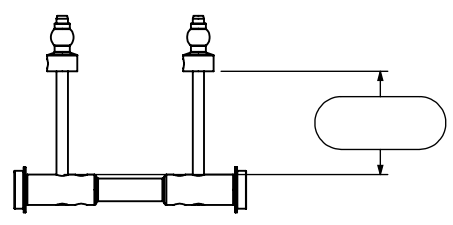





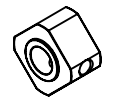
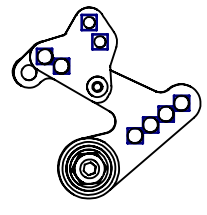
R      L

**Ballance [g]**

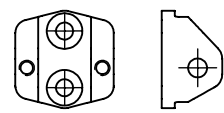
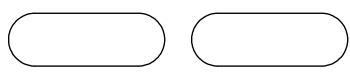
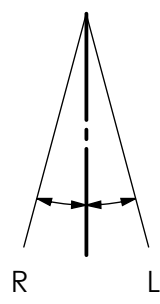
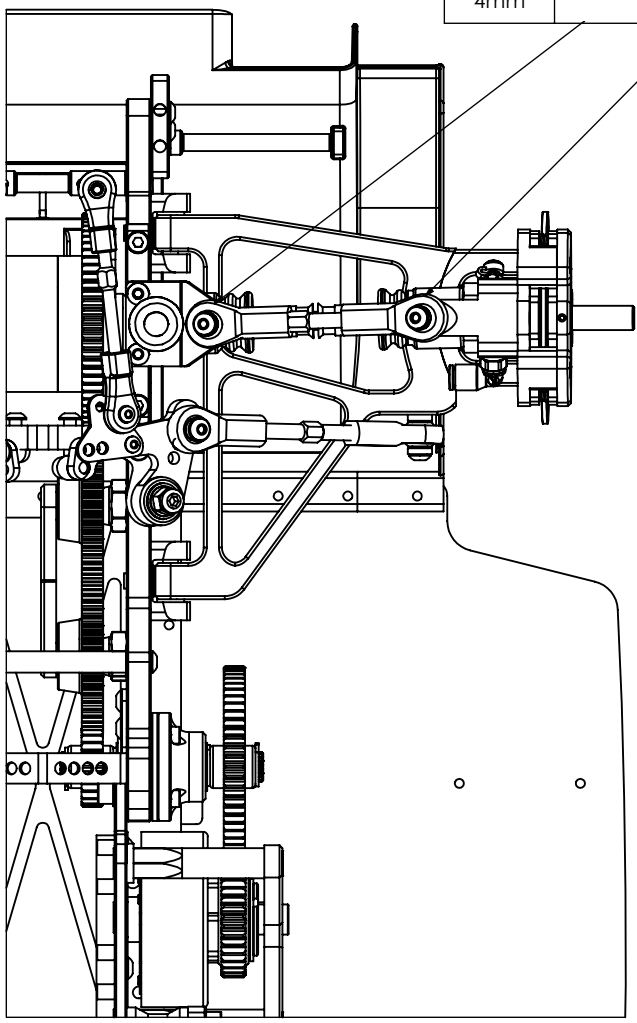
Front	Center	Rear



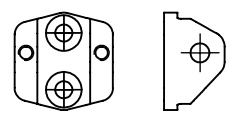
	Inside	Outside
3mm		
6mm		
4mm		



11.5 12.5 13.5



DOWN



UP

