



GTCC8

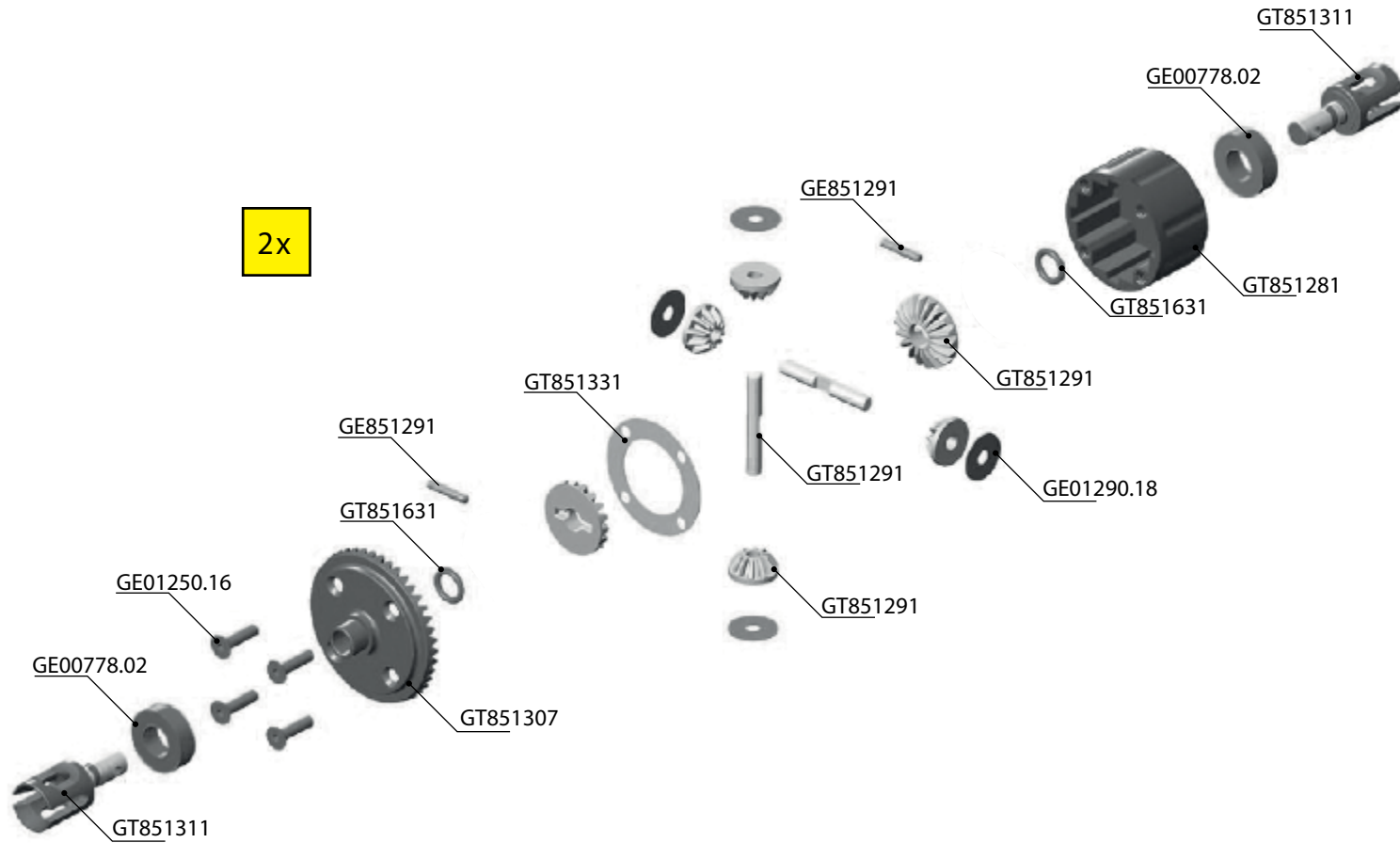
NITRO & ELECTRIC

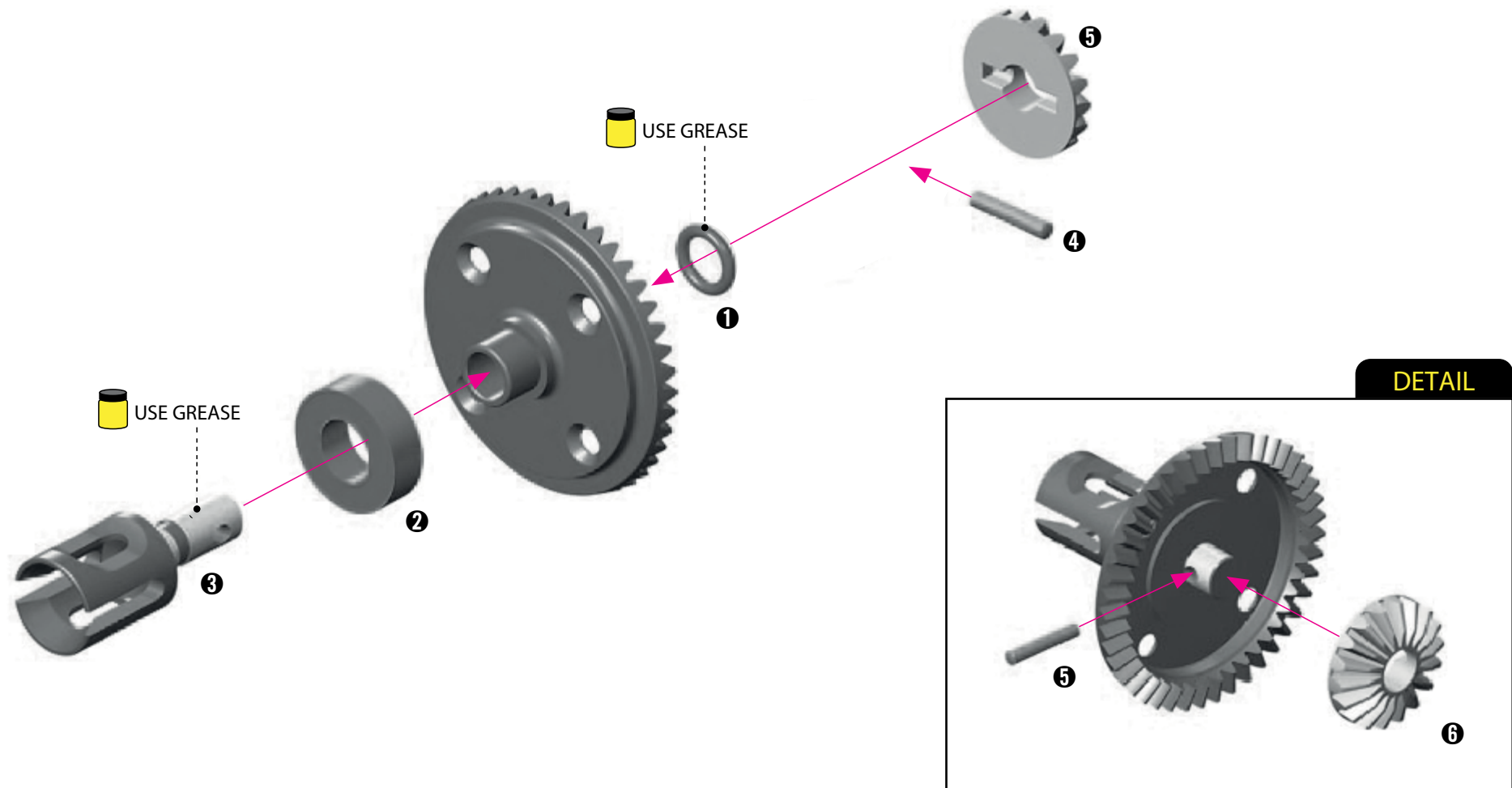
2021

| | pag | | pag |
|--|-----|---|-----|
| 1. DIFFERENTIALS | 1 | 27. SERVO SAVER | 27 |
| 2. DIFFERENTIALS | 2 | 28. FRONT BULKHEAD & SERVO SAVER | 28 |
| 3. DIFFERENTIALS..... | 3 | 29. FRONT REINFORCEMENT BRACE | 29 |
| 4. DIFFERENTIALS | 4 | 30. FRONT REINFORCEMENT BRACE | 30 |
| 5. DIFFERENTIALS | 5 | 31. LOWER FRONT SUSPENSION ARMS..... | 31 |
| 6. REAR BULKHEAD..... | 6 | 32. LOWER FRONT SUSPENSION ARMS..... | 32 |
| 7. REAR BULKHEAD..... | 7 | 33. FRONT STEERING BLOCKS & SUSPENSION..... | 33 |
| 8. REAR REINFORCEMENT BRACE..... | 8 | 34. FRONT STEERING BLOCKS & SUSPENSION..... | 34 |
| 9. LOWER SUSPENSION ARMS REA..... | 9 | 35. SHOCK ABSORBERS | 35 |
| 10. REAR UP-RIGHTS | 10 | 36. SHOCK ABSORBERS | 36 |
| 11. REAR UP-RIGHTS | 11 | 37. SHOCK ABSORBERS | 37 |
| 12. GEAR BOX | 12 | 38. RADIO PLATE NITRO | 38 |
| 13. GEAR BOX | 13 | 39. RADIO PLATE NITRO | 39 |
| 14. GEAR BOX | 14 | 40. CLUTCH & FUEL TANK | 40 |
| 15. GEAR BOX | 15 | 41. CLUTCH ASSEMBLY | 41 |
| 16. CENTER SOLID SHAFT & MOTOR MOUNT..... | 16 | 42. CLUTCH ASSEMBLY | 42 |
| 17. CENTER SOLID SHAFT & MOTOR MOUNT..... | 17 | 43. FINAL ASSEMBLY | 43 |
| 18. CENTER SOLID SHAFT & MOTOR MOUNT..... | 18 | 44. FINAL ASSEMBLY | 44 |
| 19. CENTER SOLID SHAFT & MOTOR MOUNT | 19 | 45. OPTIONALS | 45 |
| 20. CENTER SOLID SHAFT & MOTOR MOUNT..... | 20 | | |
| 21. CENTER SOLID SHAFT & MOTOR MOUNT..... | 21 | | |
| 22. CENTER SOLID SHAFT & MOTOR MOUNT..... | 22 | | |
| 23. CENTER SOLID SHAFT & MOTOR MOUNT..... | 23 | | |
| 24. CENTER MOUNT & BRAKES..... | 24 | | |
| 25. CENTER MOUNT & BRAKES | 25 | | |
| 26. FRONT BULKHEAD & SERVO SAVER..... | 26 | | |

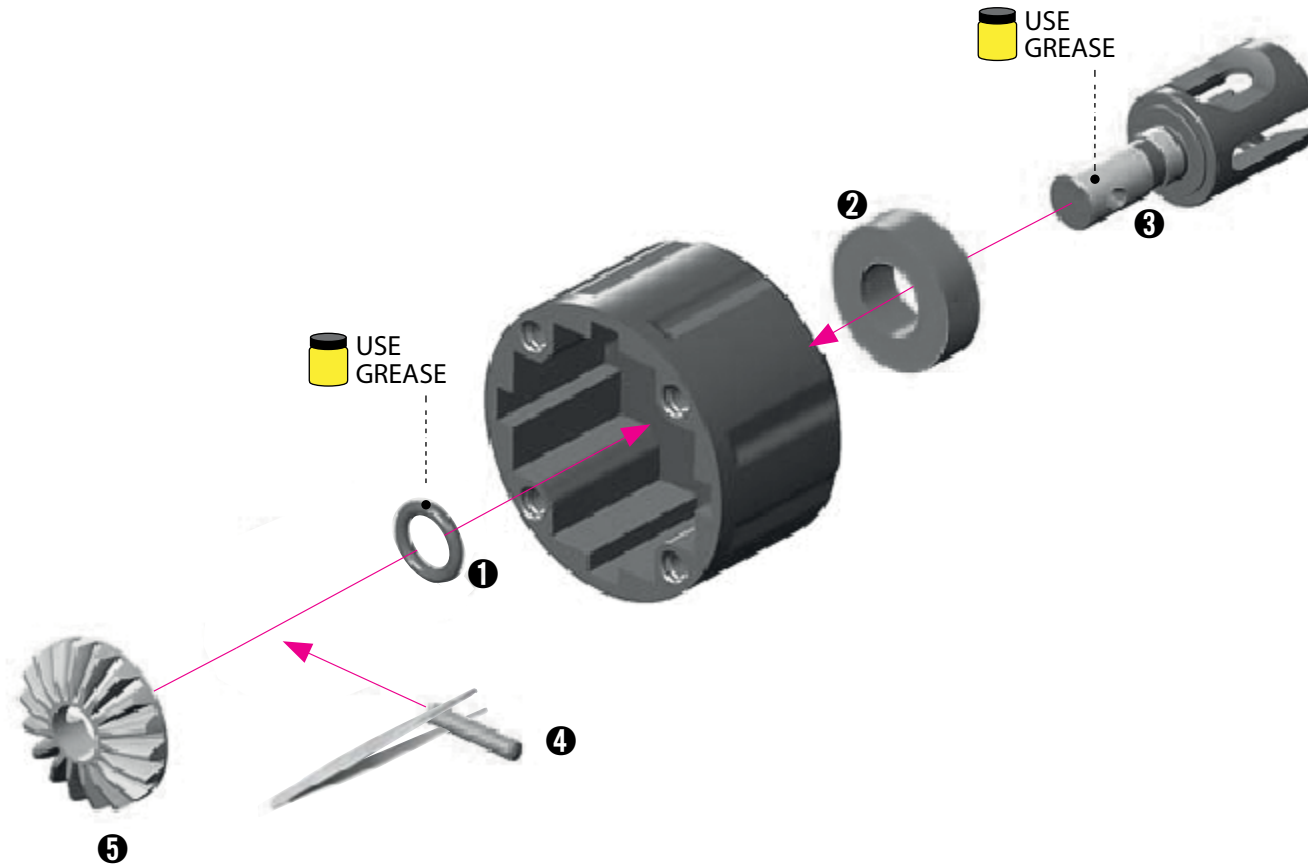


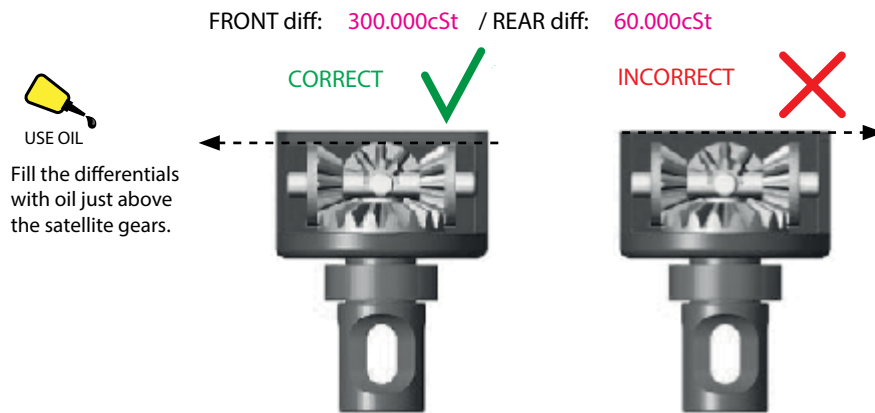
6T851276 DIFFERENTIAL 42T -SET





2x

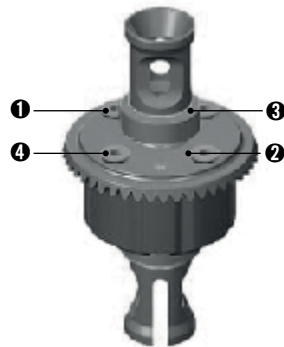




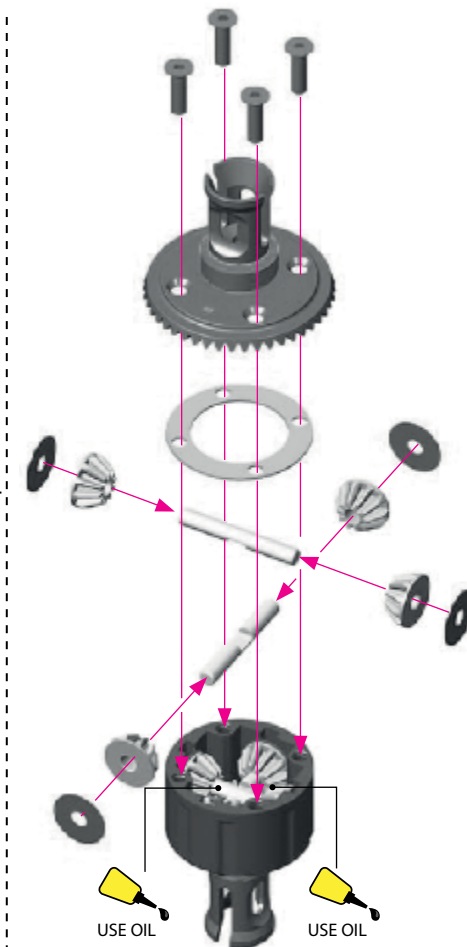
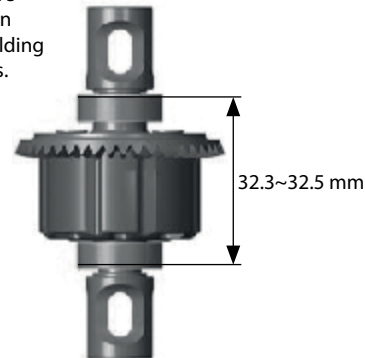
Tighten the screws equally



Finish tightening in this order



After assembly the differentials should have a length of 32.3~32.5 mm measured from the ends of the installed ball-bearings. If differentials are longer, retighten the 4 screws holding the crown gears.

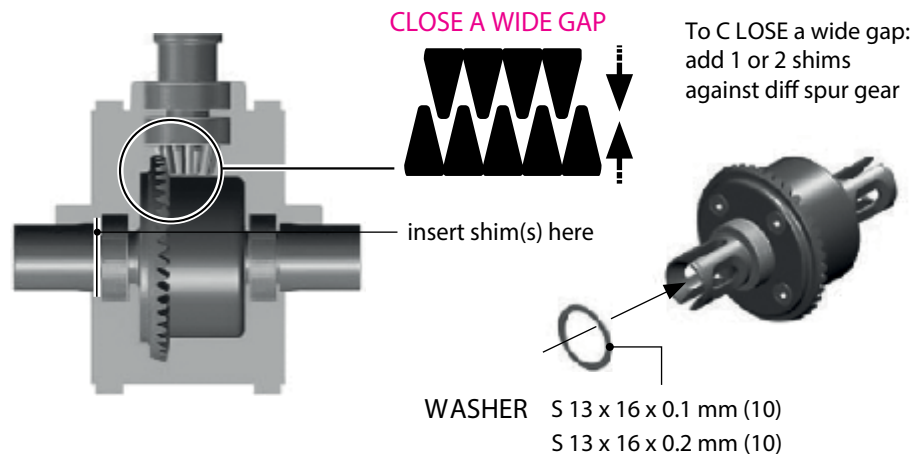


FRONT & REAR DIFF GEAR MESH ADJUSTMENT

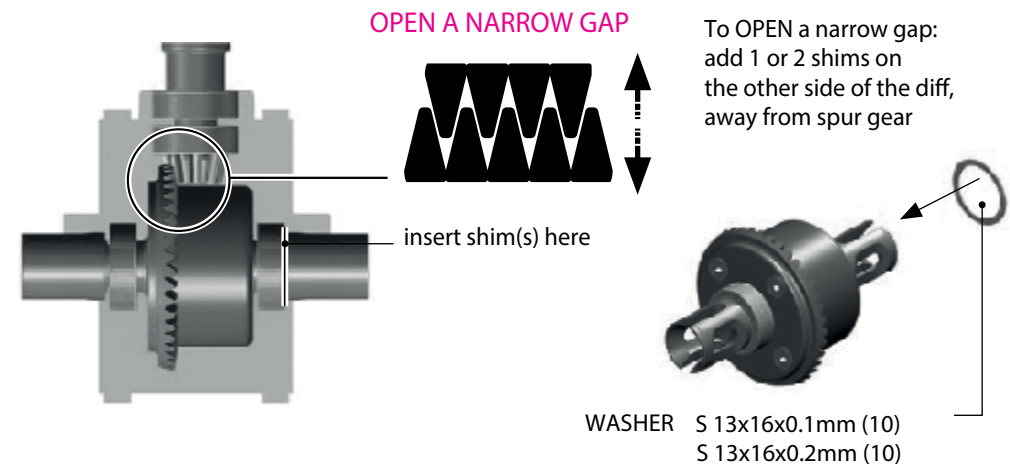
THE LOCATION OF THE SHIM(S) DEPENDS ON WHETHER YOU ARE TRYING TO CLOSE OR OPEN THE GAP.


If there is too much or too little diff side play, this may create non-optimal gear mesh between the diff gear and the pinion drive gear. This is easily resolved by inserting 1 or 2 of the included thin shims behind a diff outdrive ball-bearing, depending on how much play there is.

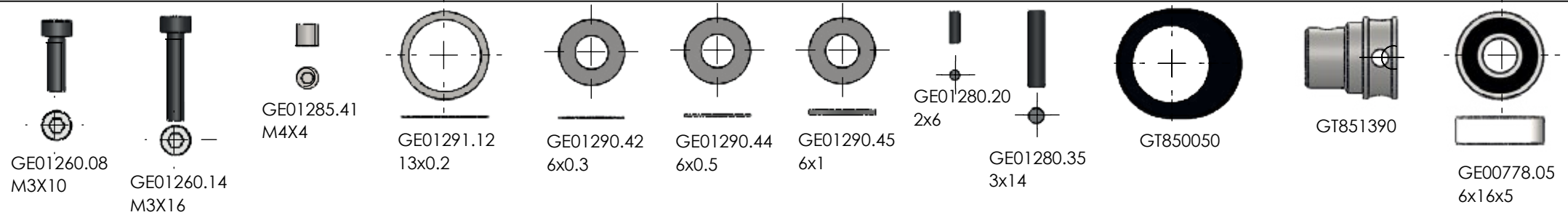
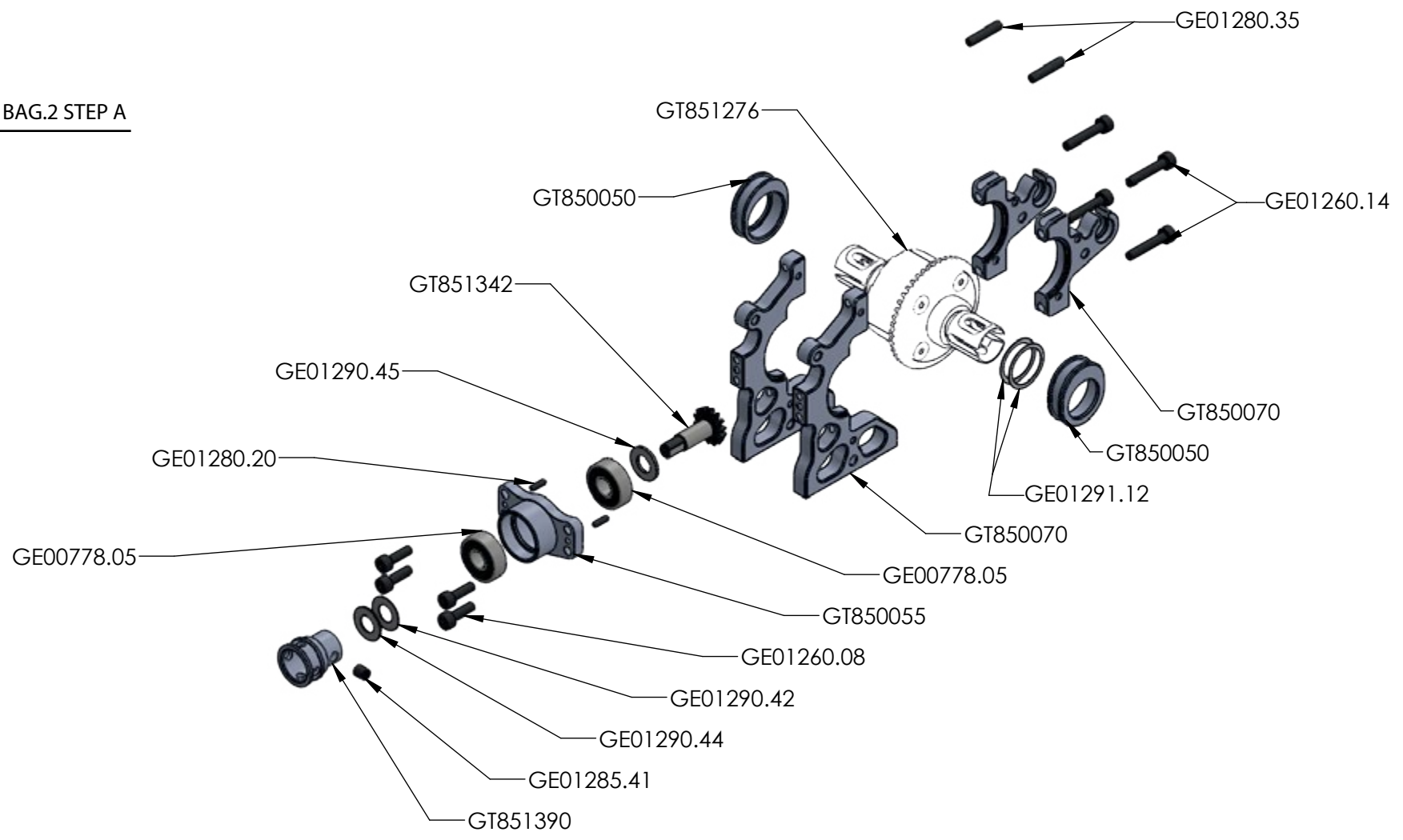
TO CLOSE A WIDE GAP




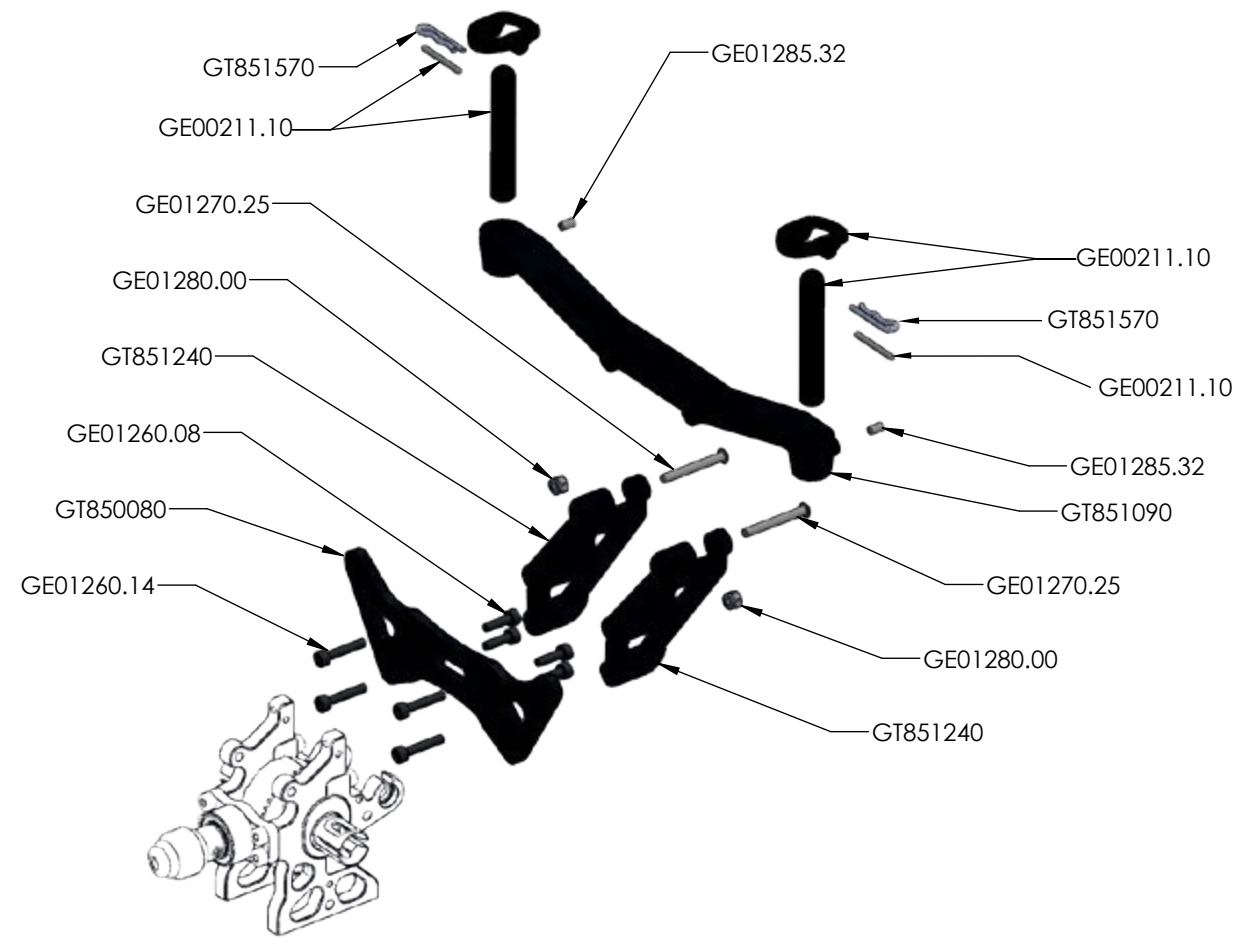
TO OPEN A NARROW GAP








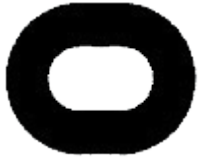



 BAG.2 STEP A



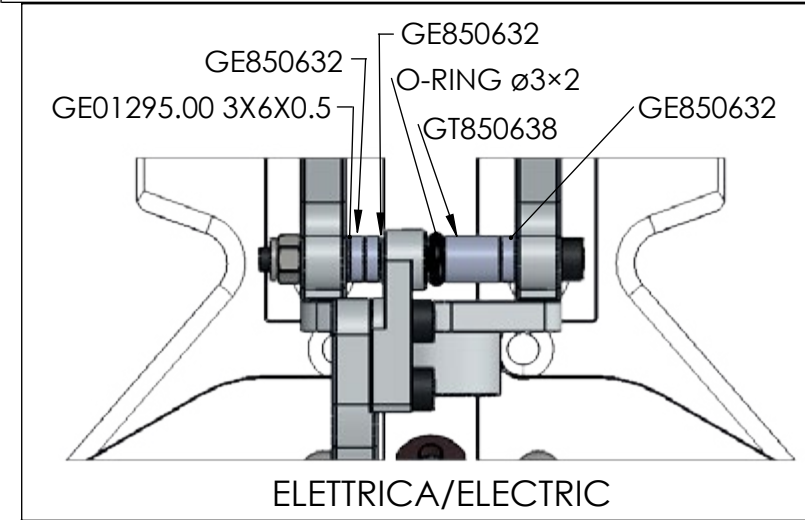
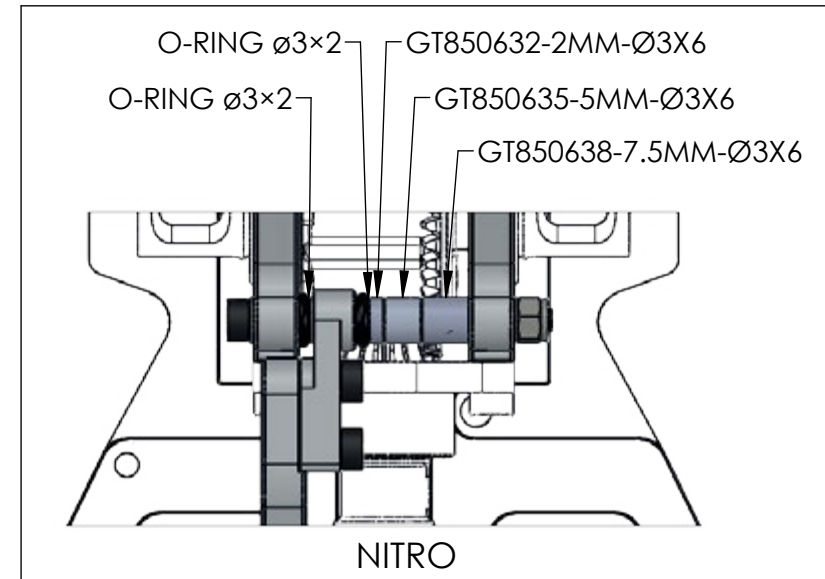
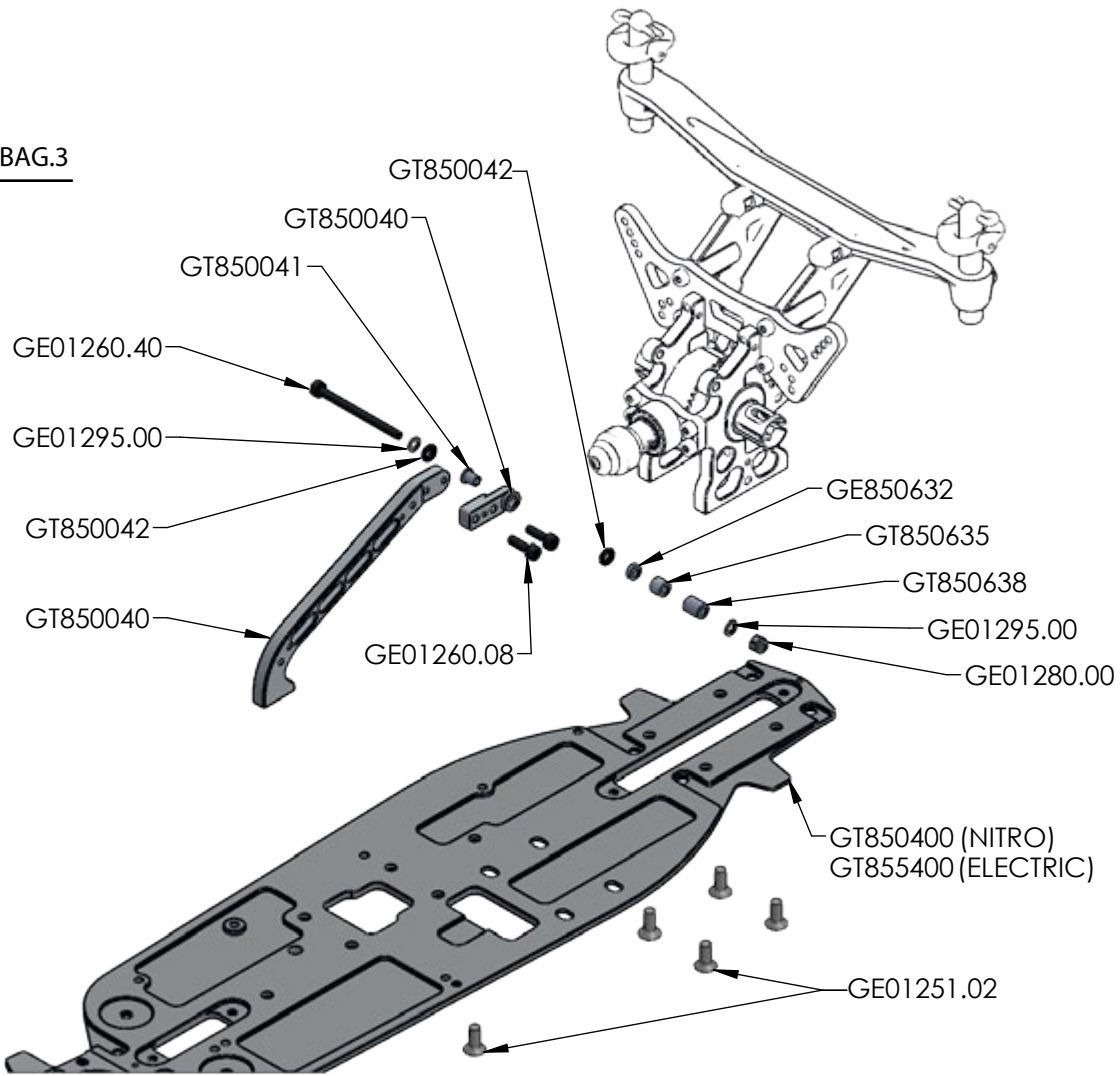
 BAG.2 STEP B



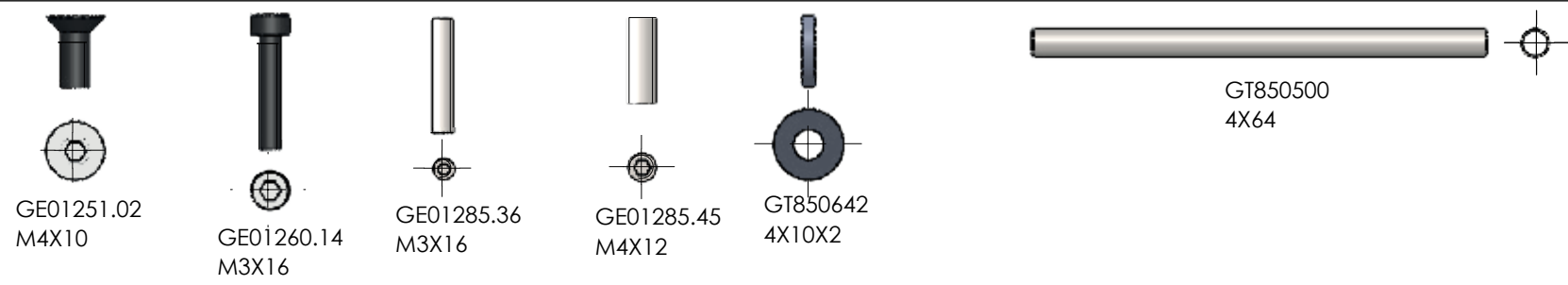
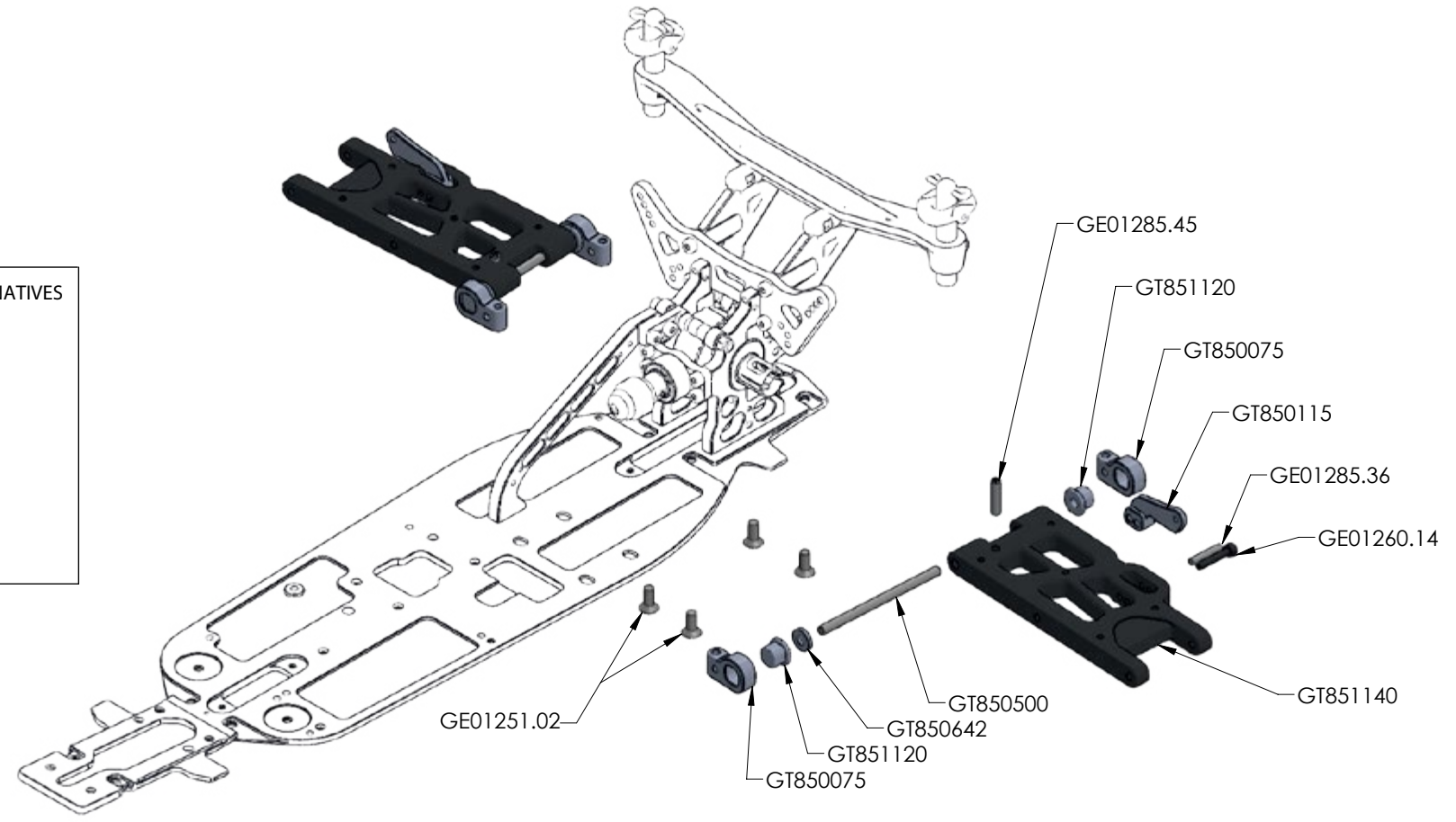
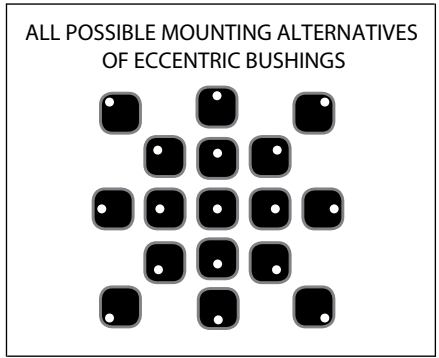
-  GE01260.08
M3X10
-  GE01260.14
M3X16
-  GE01270.25
M3X25
-  GE01285.32
M3X5
-  GE01280.00
M3 LOCK
-  GE00211.10
2X10
-  GT851570
-  GE00211.10
-  GE00211.10

8. REAR REINFORCEMENT BRACE

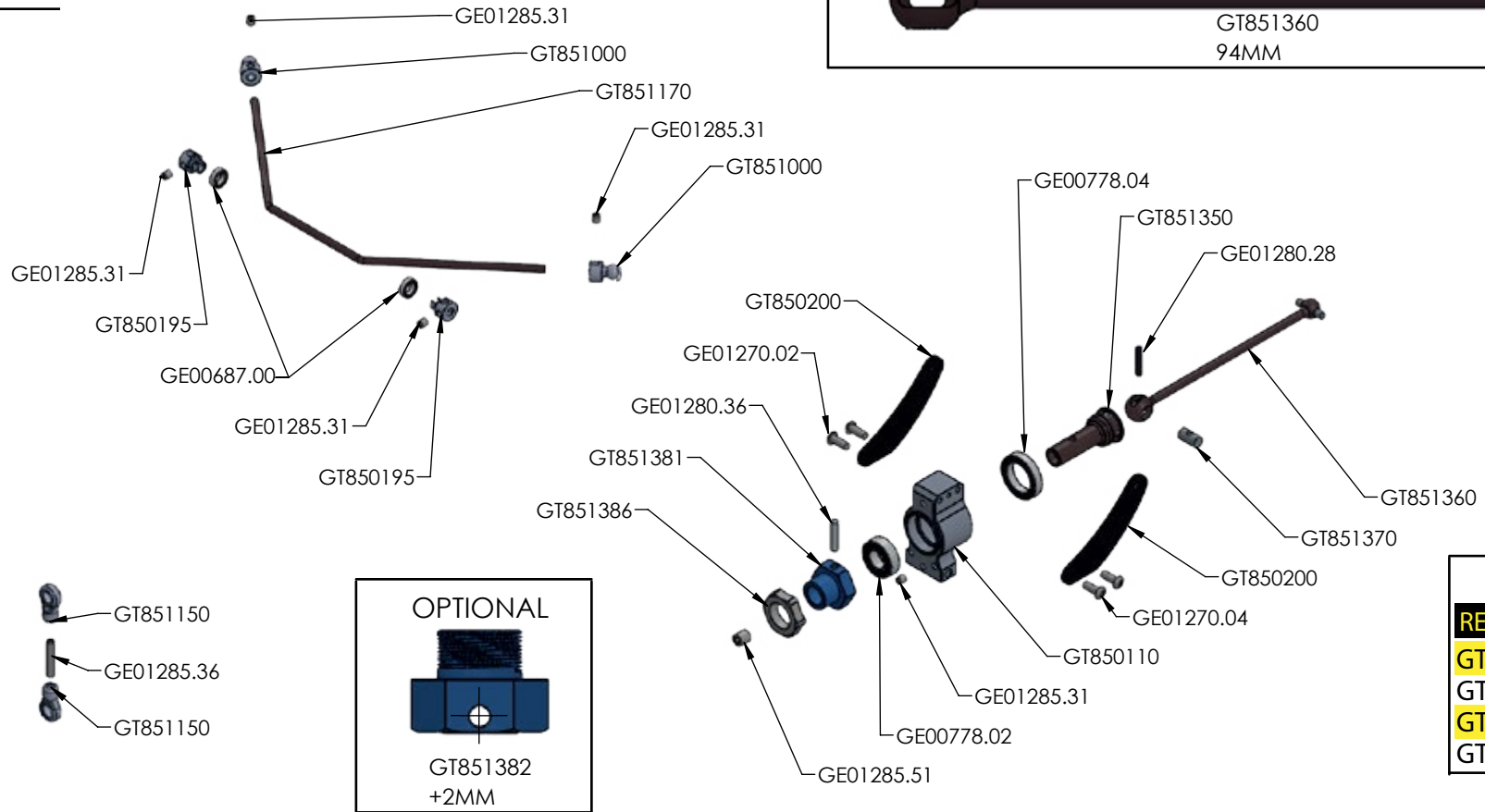
BAG.3



- | | | | | | | | | | |
|---------------------|---------------------|-----------------------|--------------------|-------------------|-------------------|-------------------|---------------------|-----------------------|---------------------|
| | | | | | | | | | |
| GE01251.02 M4X10 | GE01260.08 M3X10 | GE01295.00 3X6X0.5 | GT850042 OR 3X2 | GT850041 3X4X5 | GE850632 3x6X2 | GT850635 3x6x5 | GT850638 3X6X7.5 | GE01280.00 M3 LOCK | GE01260.40 M3X40 |




 BAG.5 STEP A

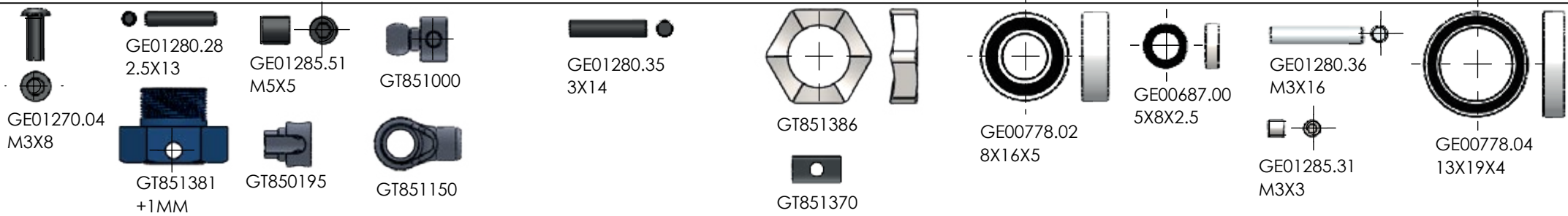


OPTIONAL

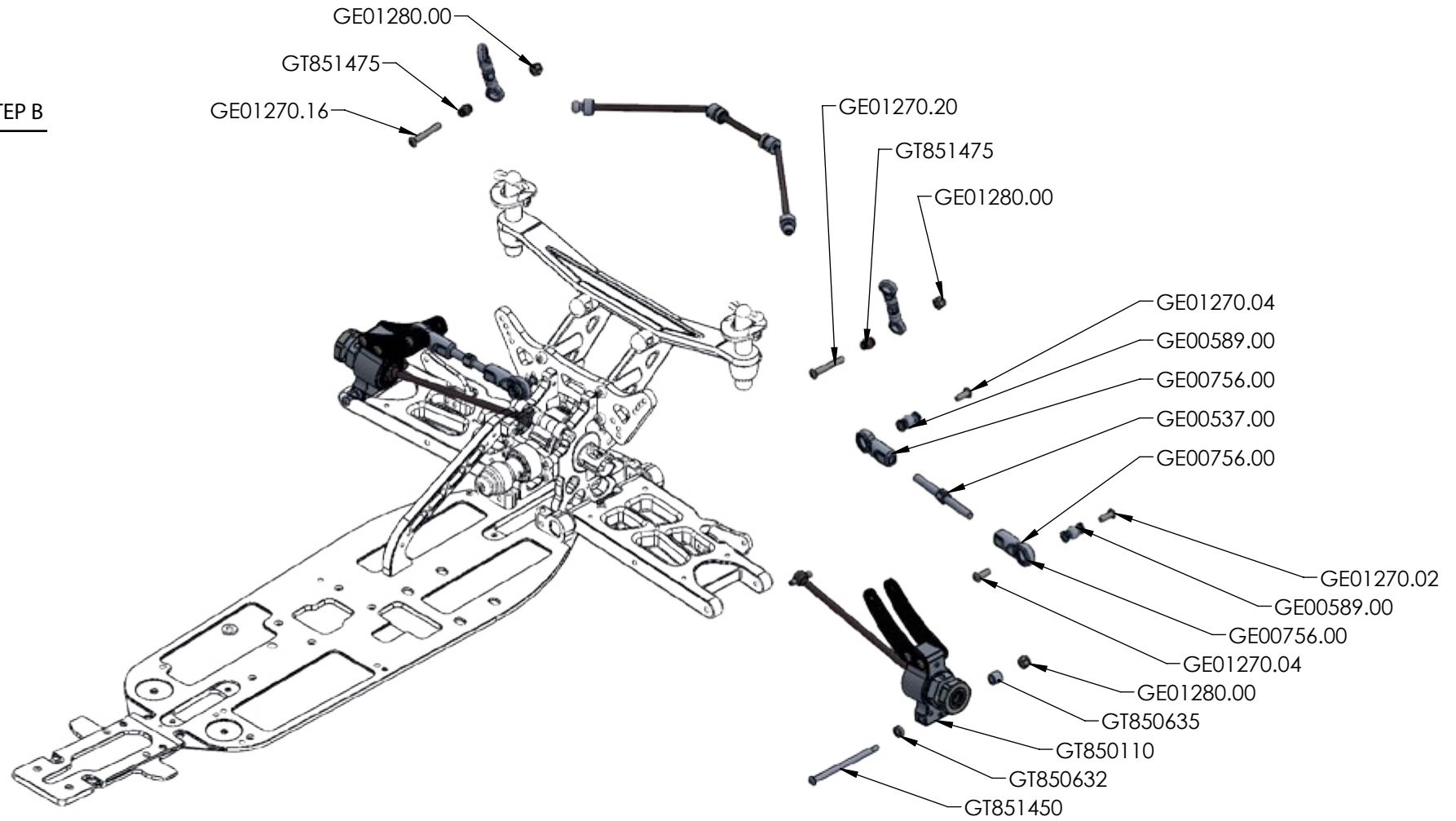
 GT850205
 M3-20MM

OPTIONAL

 GT851382
 +2MM

OPTIONAL
REAR ANTI-ROLL BAR
 GT851166 2,6 MM
 GT851168 2,8 MM
 GT851170 3,0 MM
 GT851172 3,2 MM



 BAG.5 STEP B



GE01270.02
M3X6



GE01270.04
M3X8



GE01270.20
M3X20



GE01280.00
M3 LOCK



GT851450



GE00537.00
M4-45



GE00756.00



GE00589.00
6.8MM



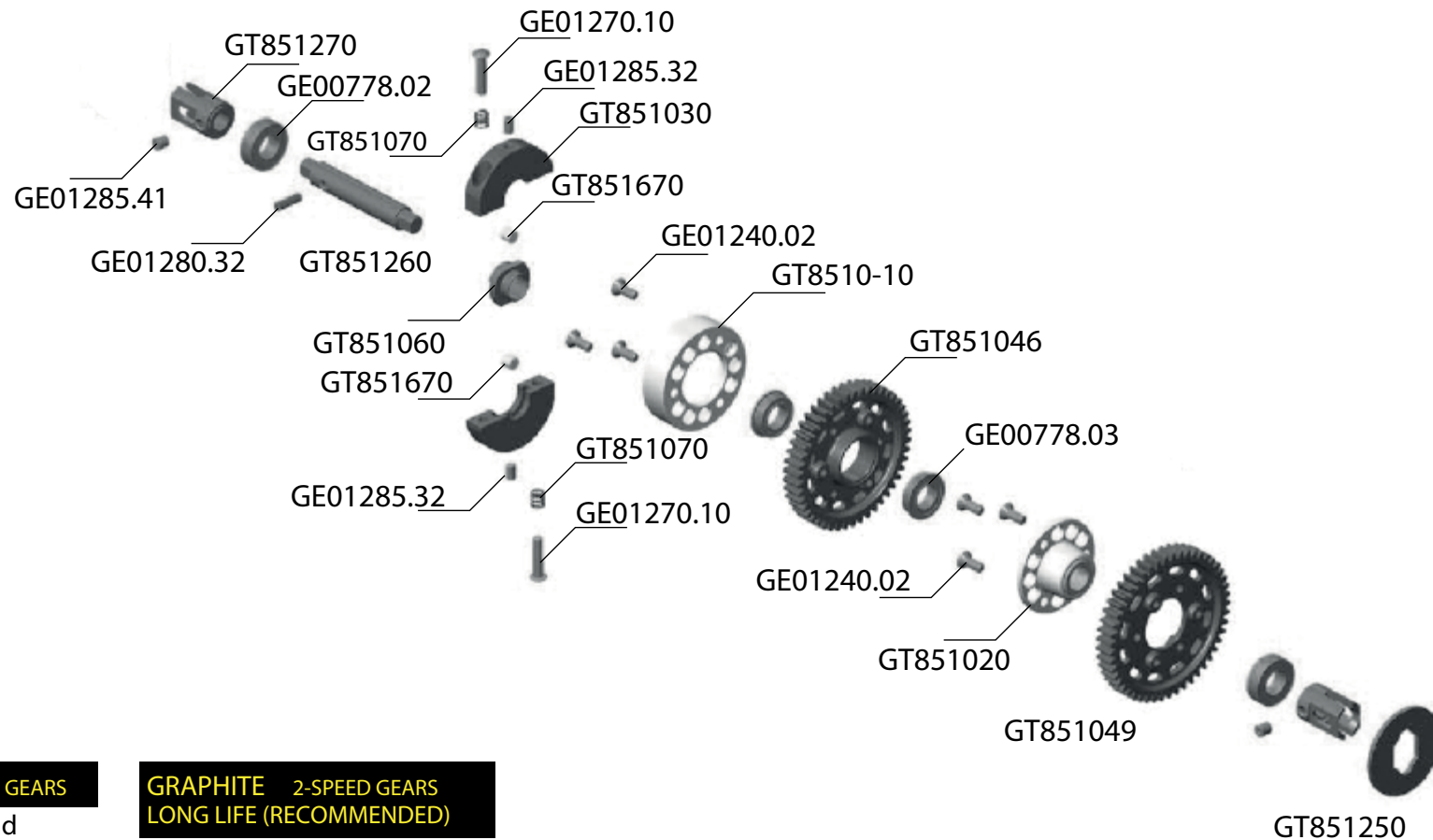
GT851475



GT850632
3X6X2



GT850635
3X6X5



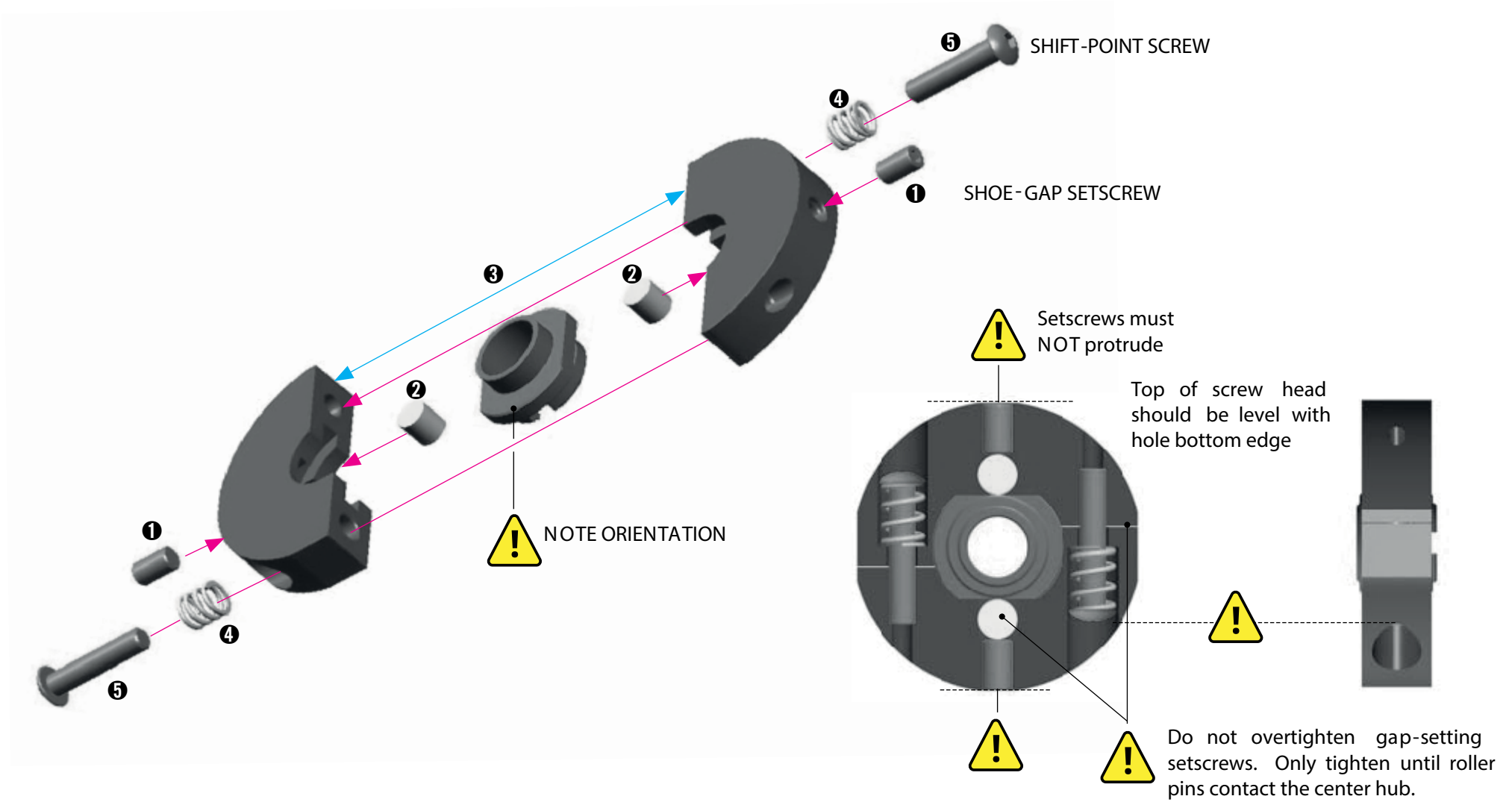
COMPOSITE 2-SPEED GEARS

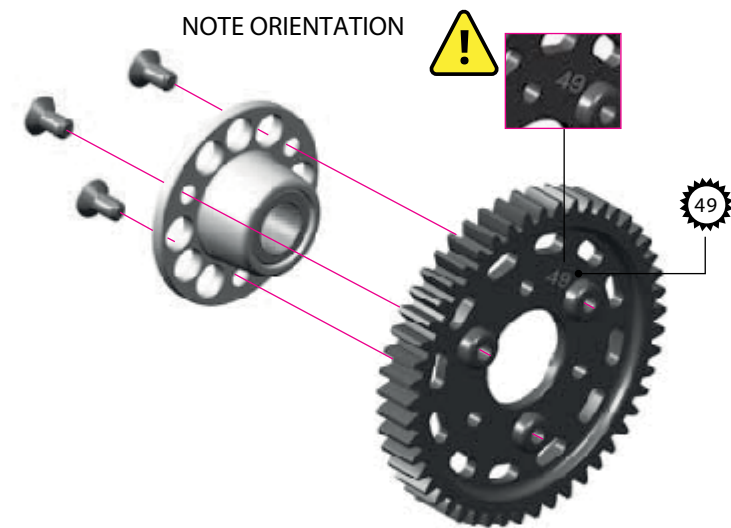
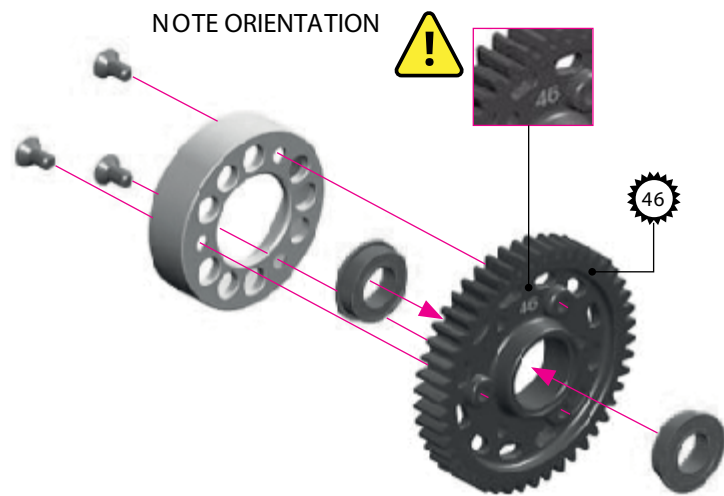
| | | |
|----------|-----|-----|
| GT851045 | 45T | 2nd |
| GT851046 | 46T | 2nd |
| GT851047 | 47T | 2nd |
| GT851048 | 48T | 1st |
| GT851049 | 49T | 1st |
| GT851050 | 50T | 1st |

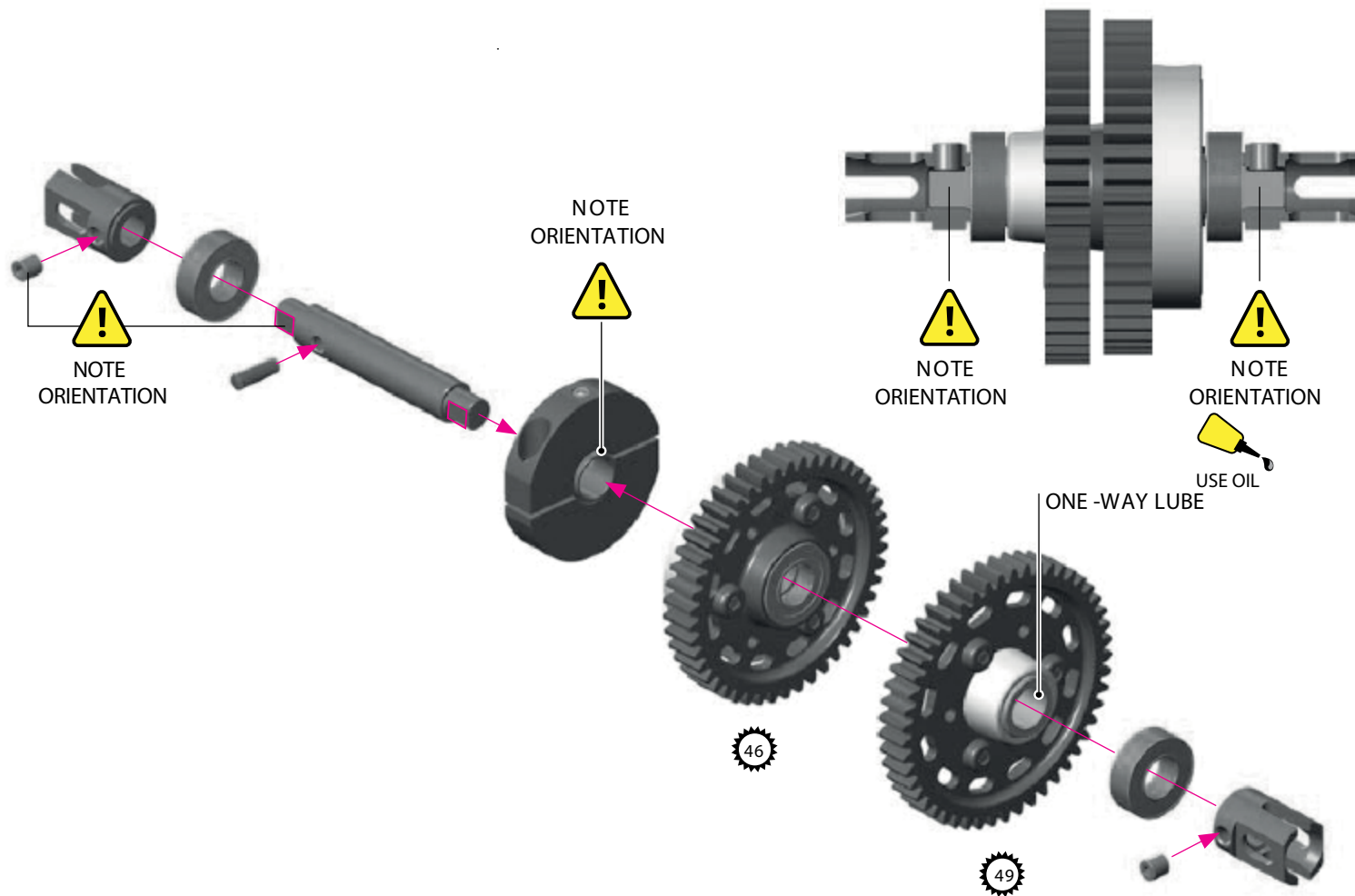
**GRAPHITE 2-SPEED GEARS
LONG LIFE (RECOMMENDED)**

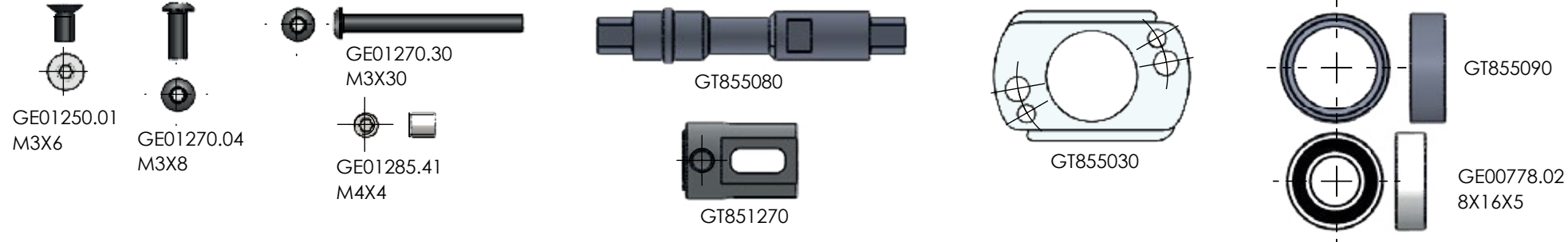
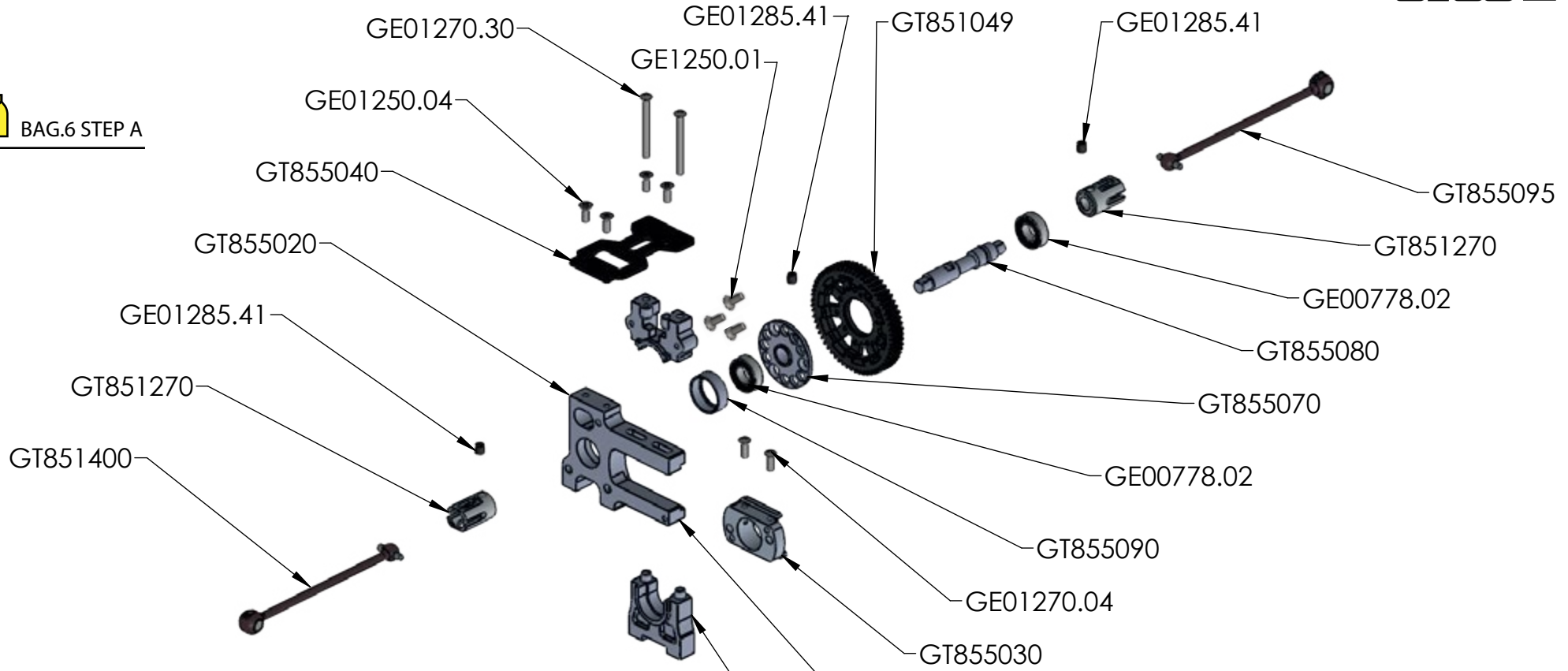
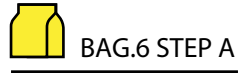
| | | |
|----------|-----|-----|
| GT851945 | 45T | 2nd |
| GT851946 | 46T | 2nd |
| GT851947 | 47T | 2nd |
| GT851948 | 48T | 1st |
| GT851949 | 49T | 1st |
| GT851950 | 50T | 1st |

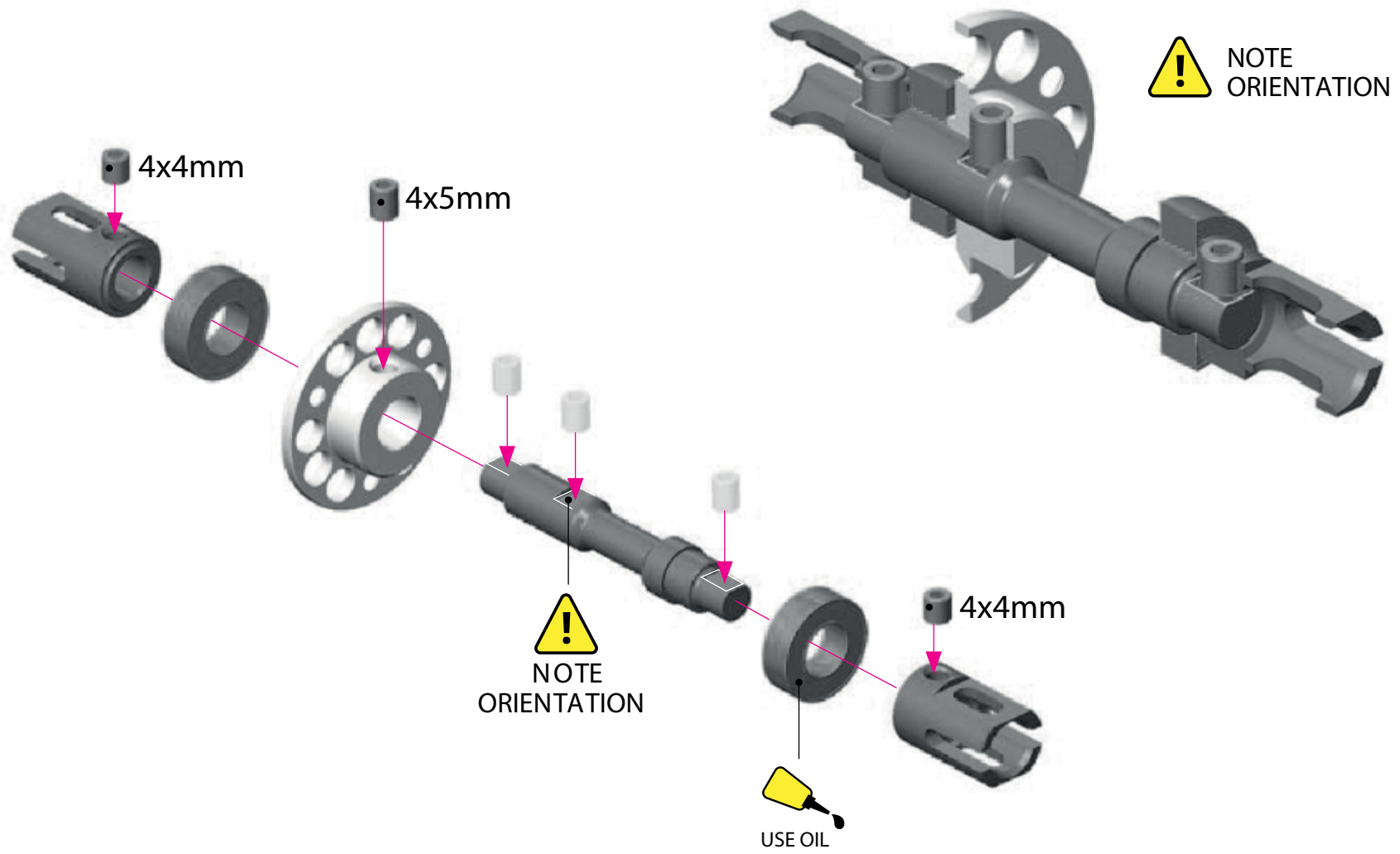


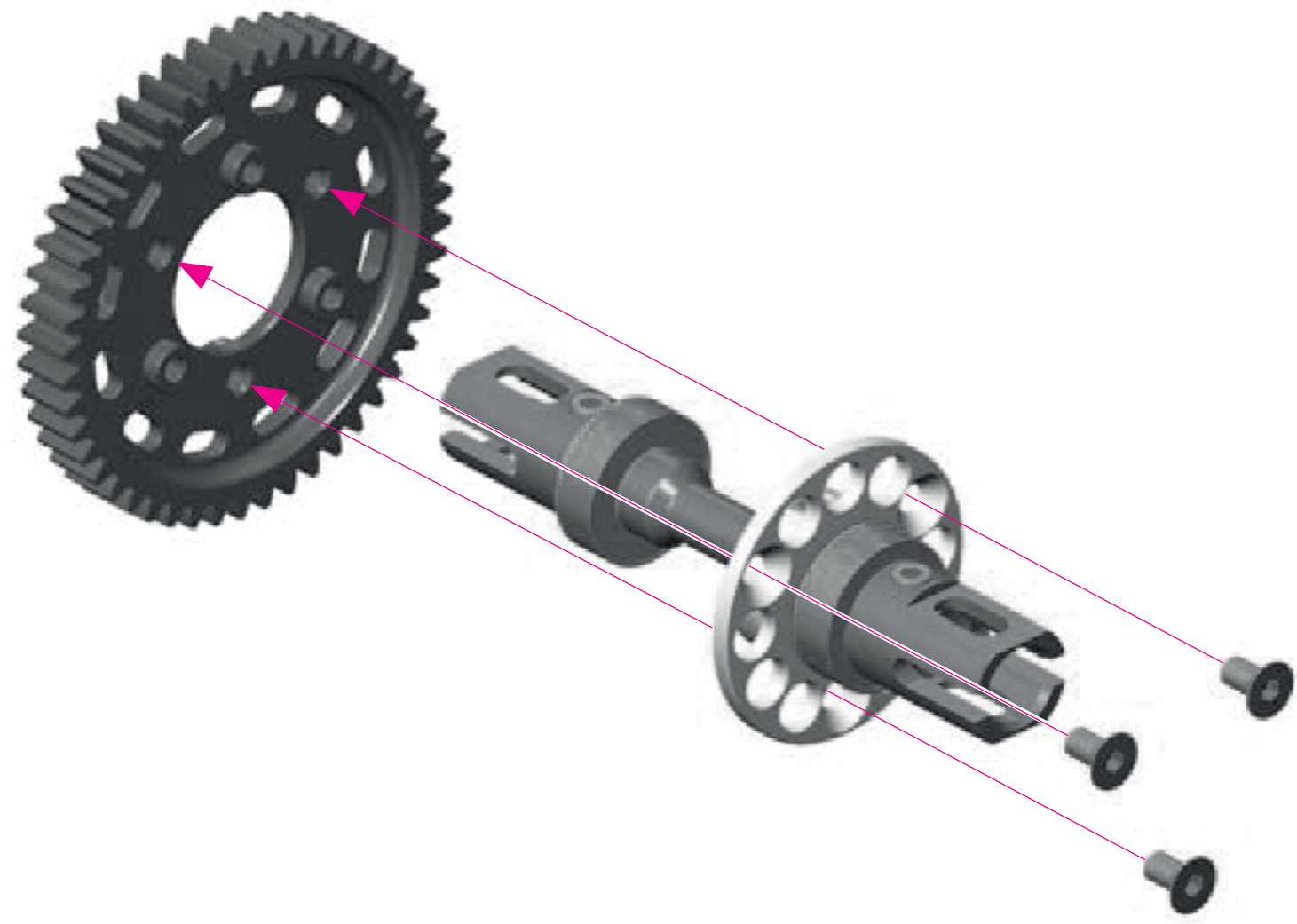


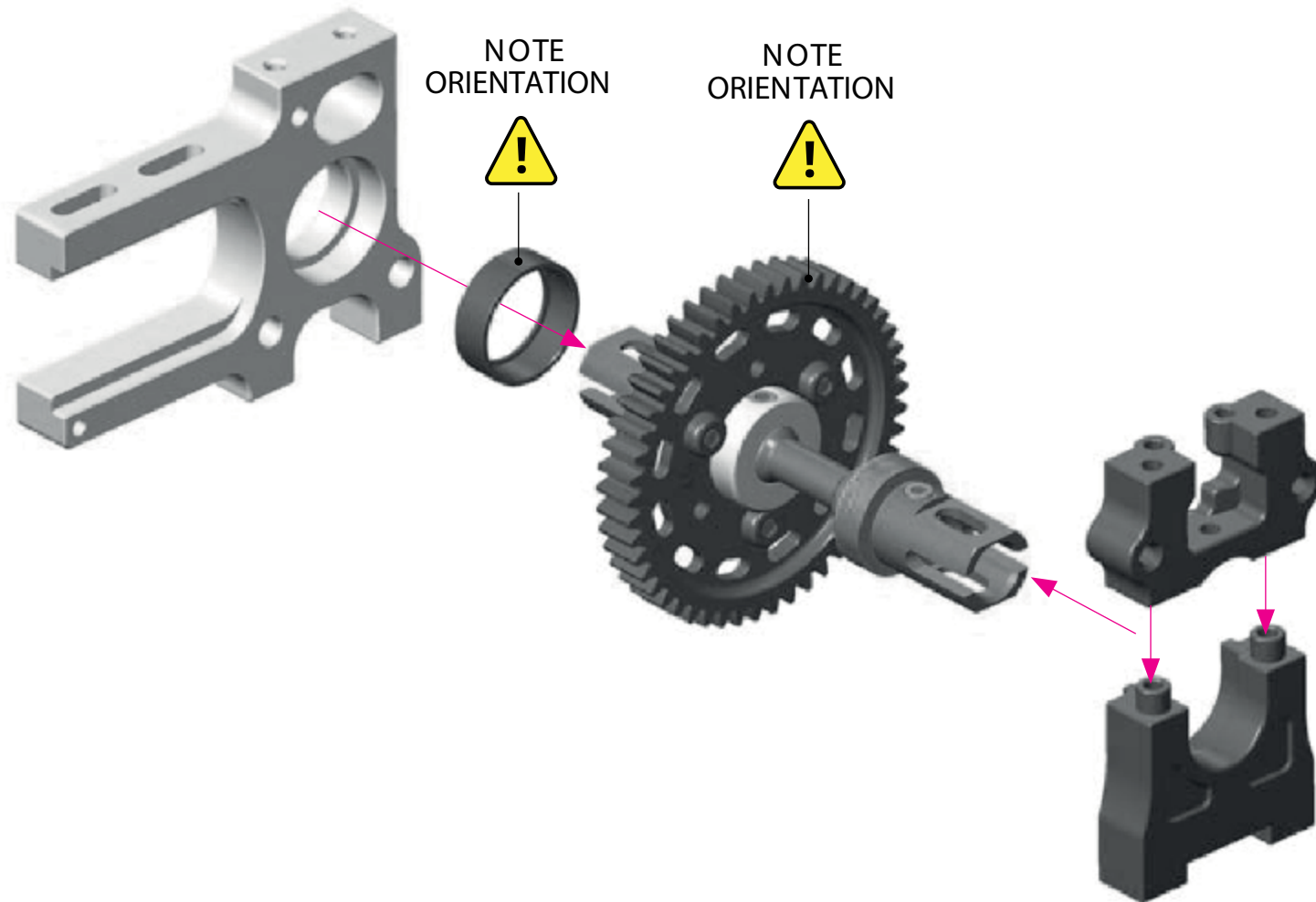


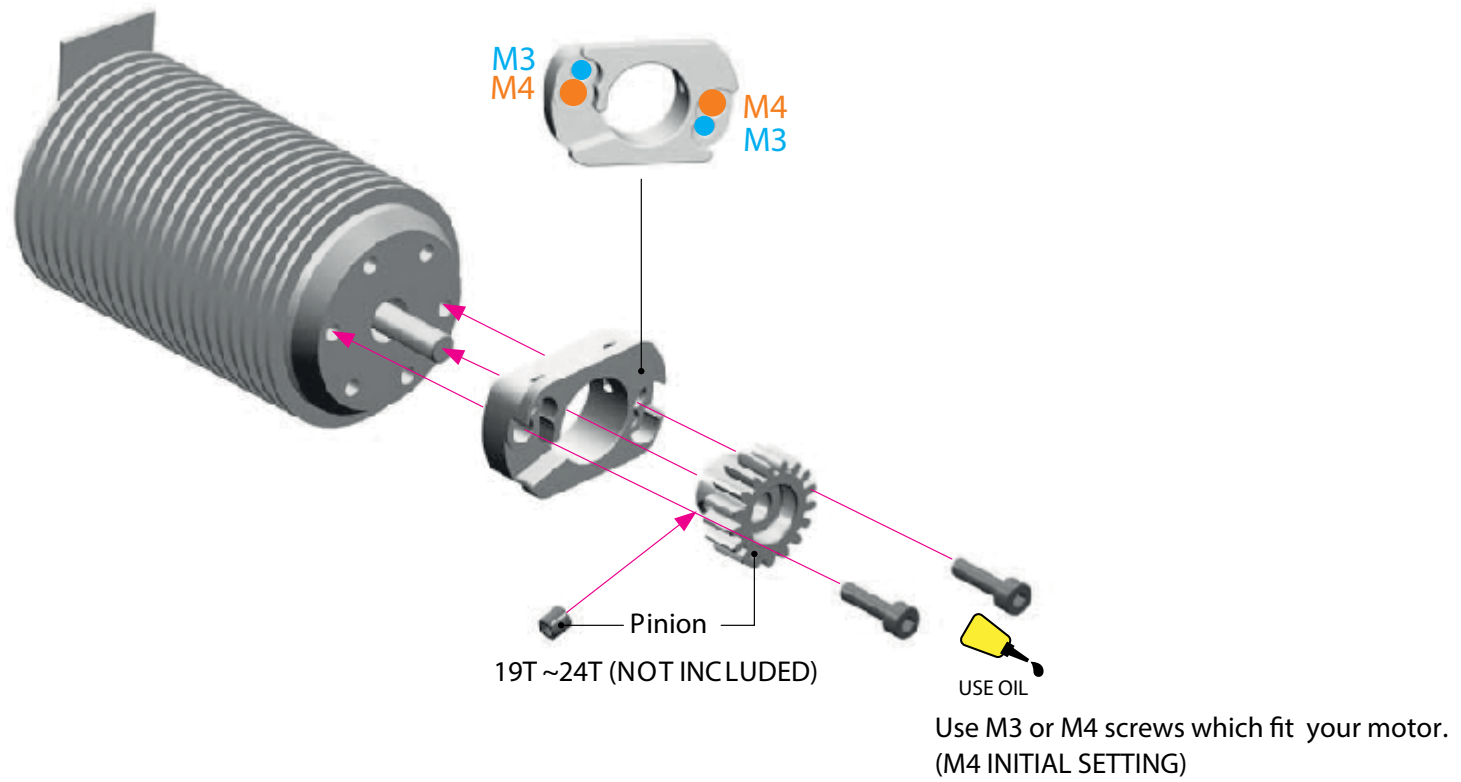




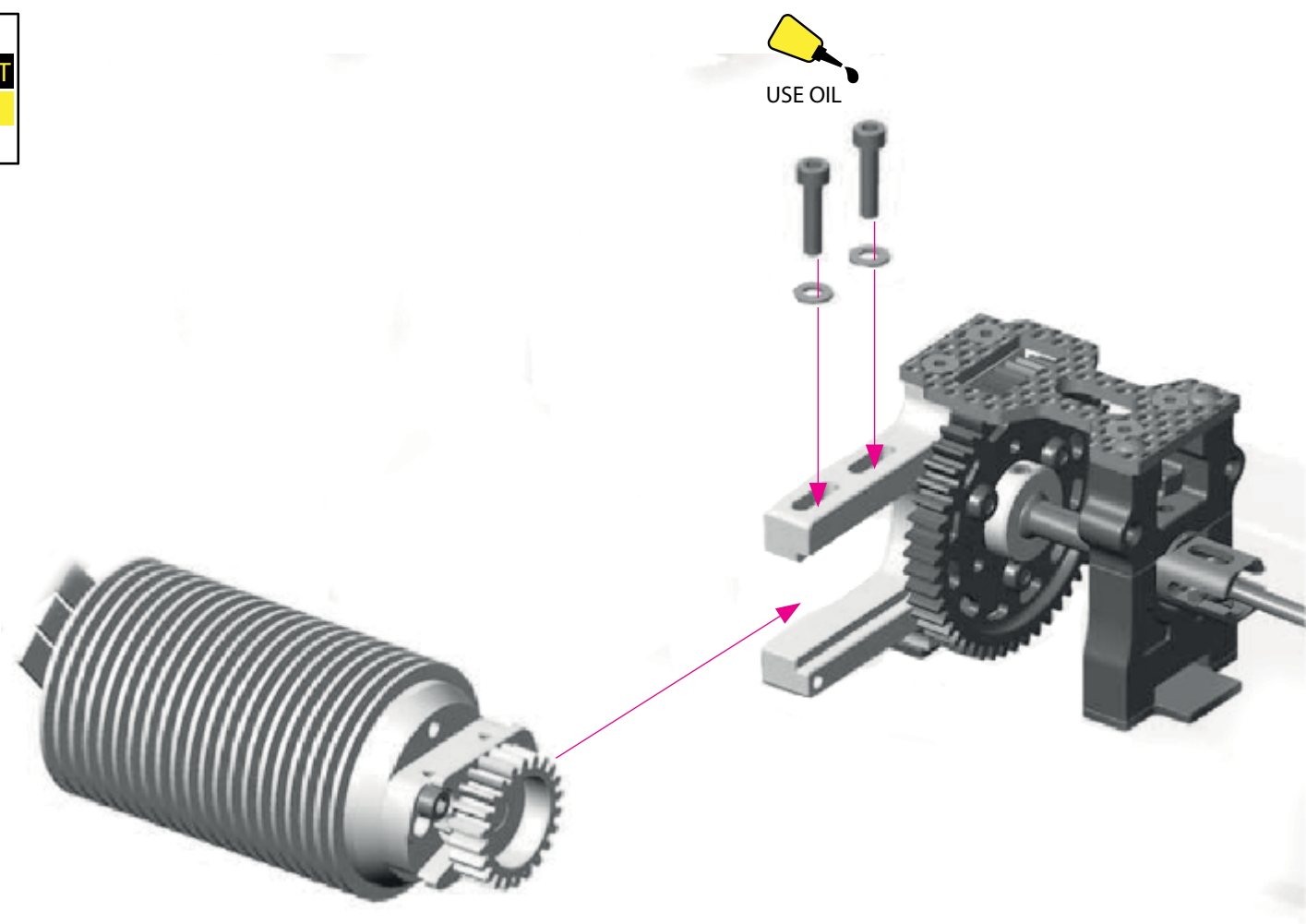





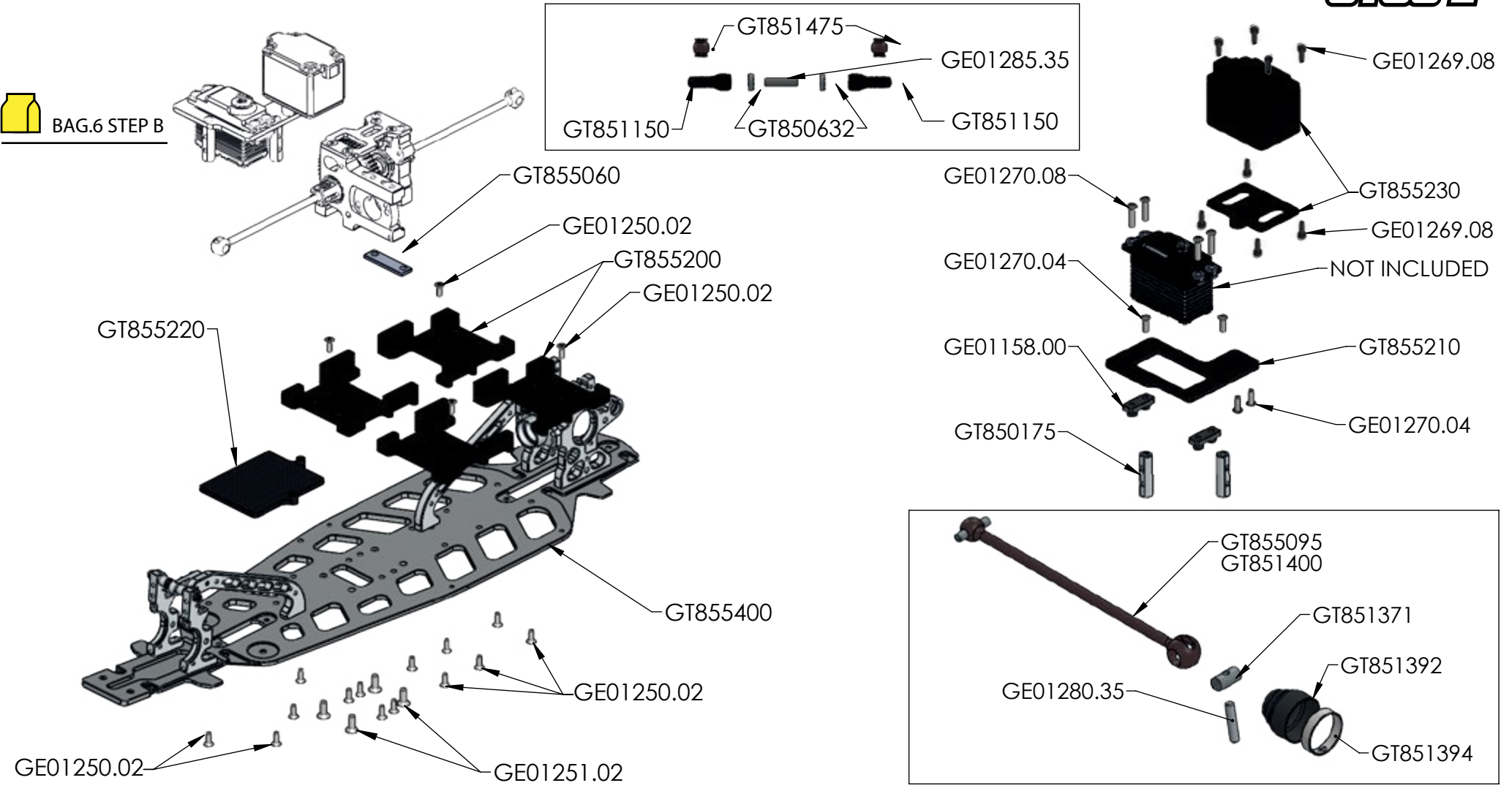


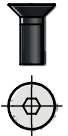
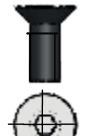




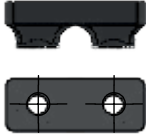





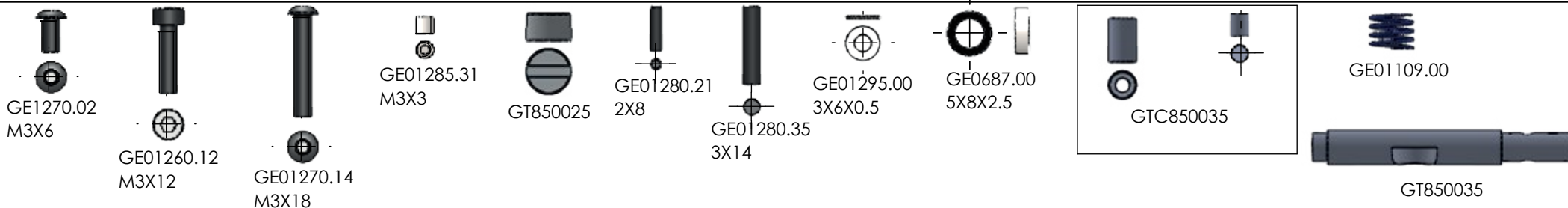
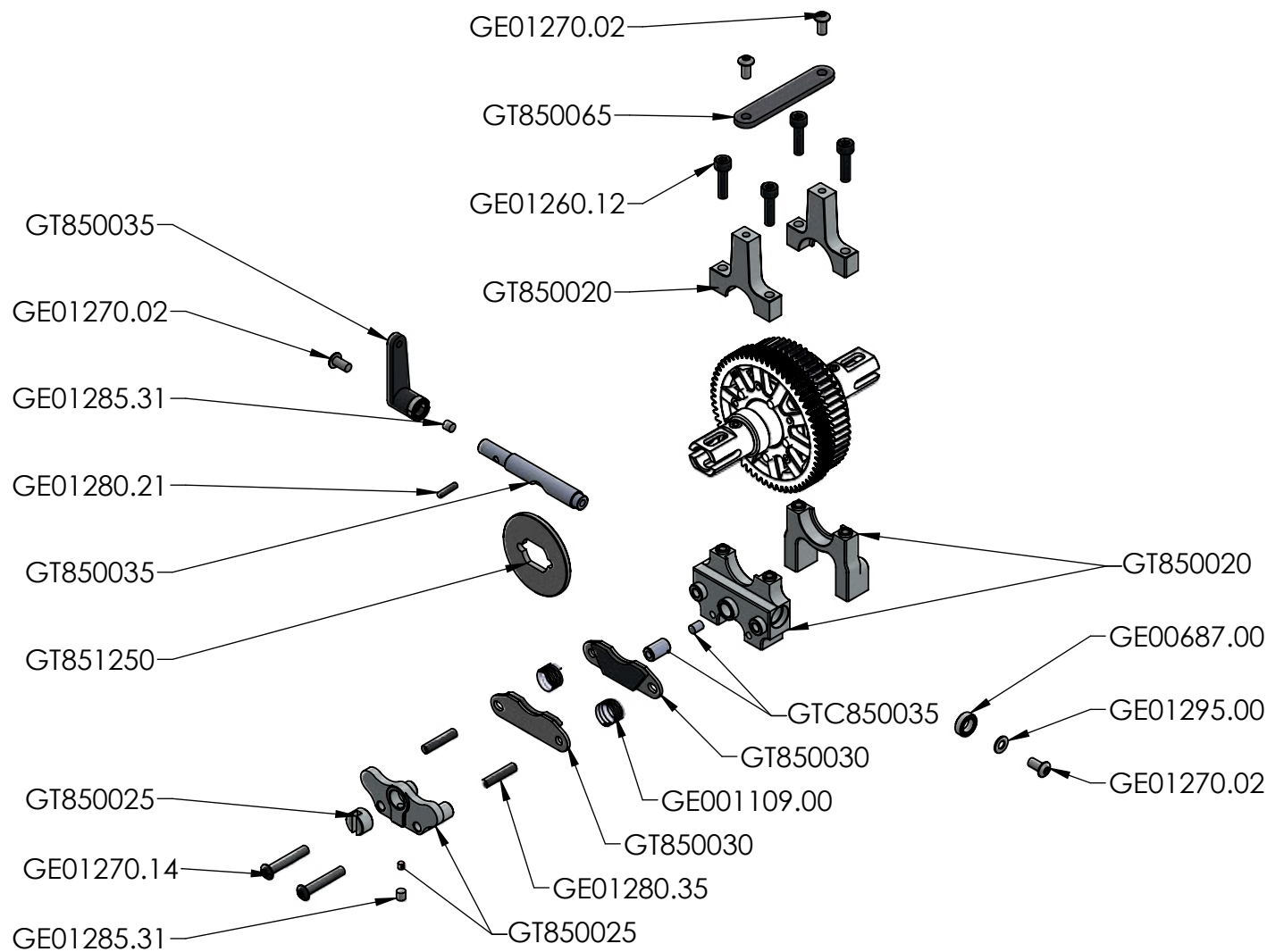
| | |
|----------------------------|----------|
| OPTIONAL | |
| COOLING FAN SUPPORT | |
| SINGLE | GT859010 |
| DOUBLE | GT859015 |



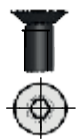
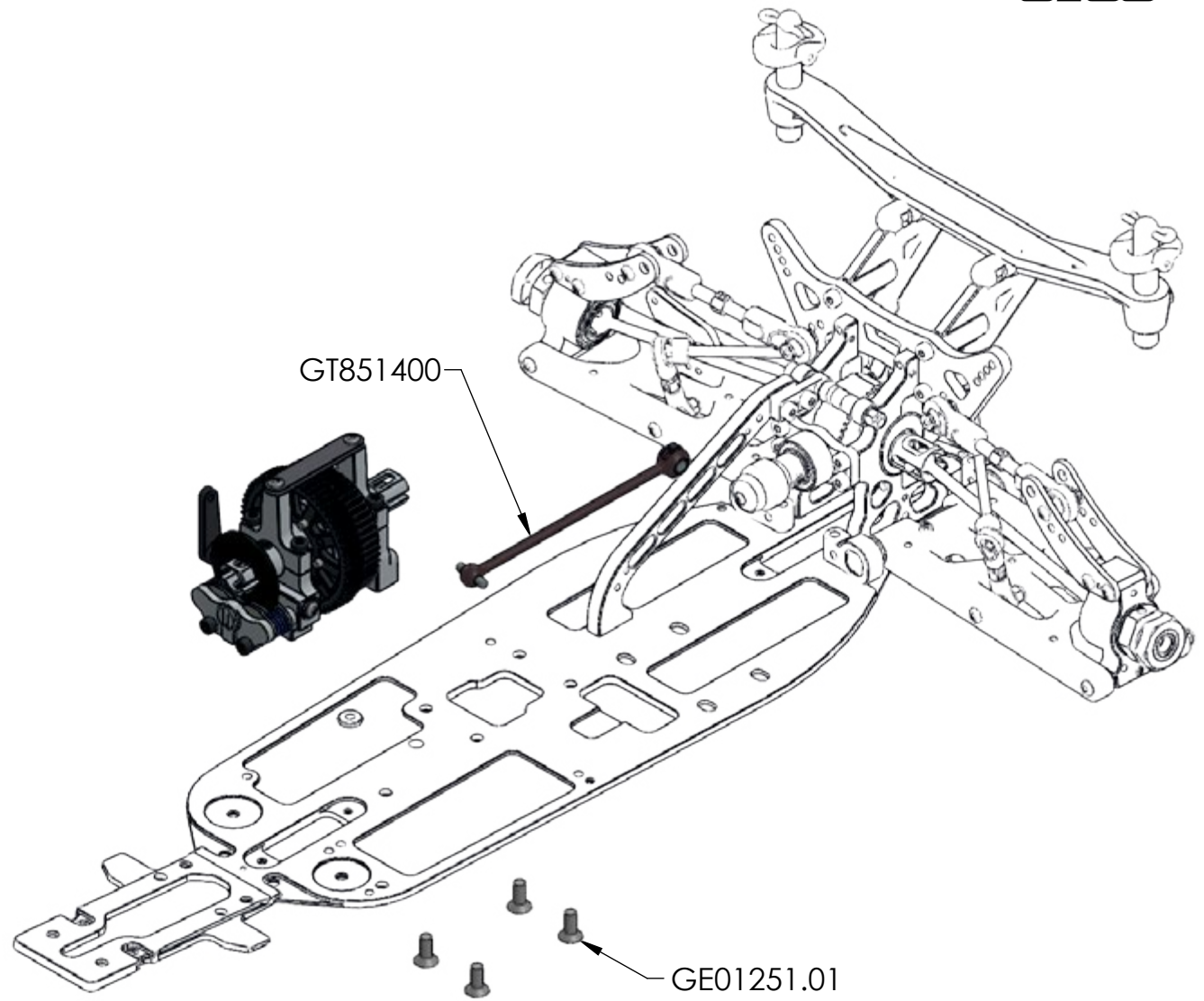
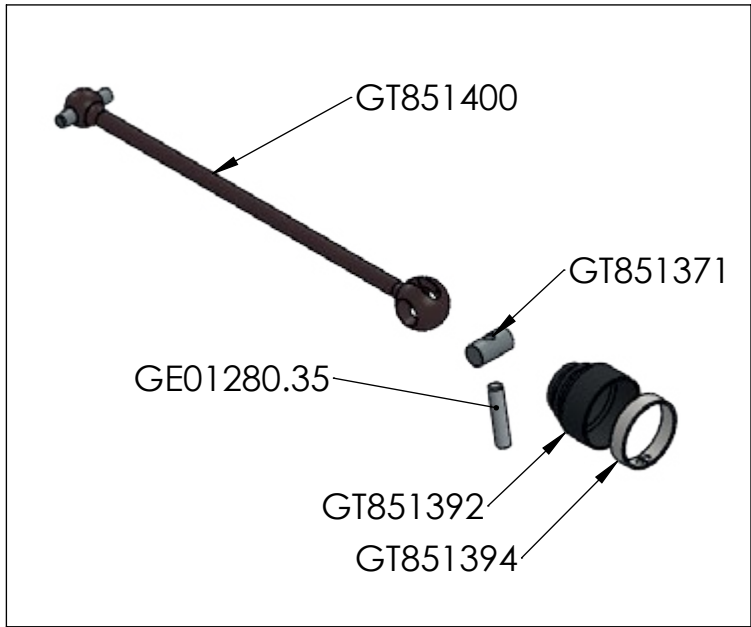
 BAG.6 STEP B



- | | | | | | | | | | |
|--|---|---|---|---|--|---|---|---|---|
|  |  |  |  |  |  |  |  |  |  |
| GE01250.02 M3X8 | GE01251.02 M4X10 | GE01270.04 M3X8 | GE01270.08 M3X12 | GT850175 | GT855060 GT851150 | GE00158.00 GT851475 | GT851392 GT850632 3X6X2 | GT851394 GE01285.35 M3X12 | GT851371 GE01280.35 3X14 |



 BAG.7 STEP B



GE01251.01
M4X8



GT851400
86MM



GT851392



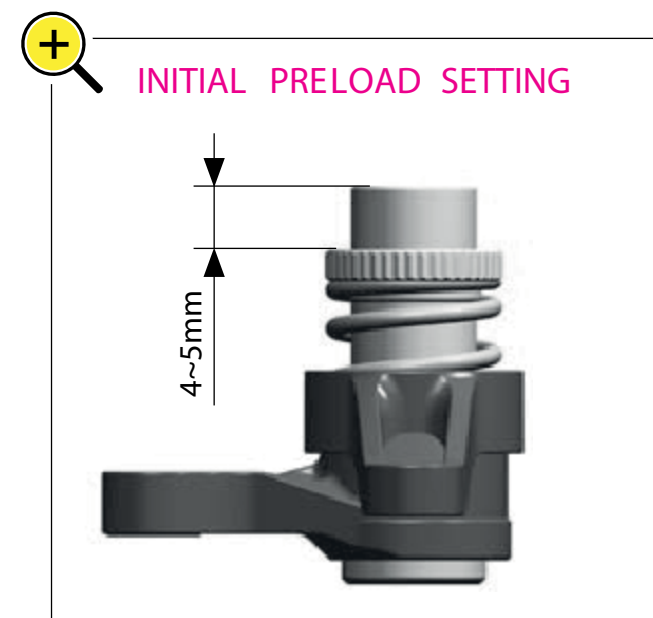
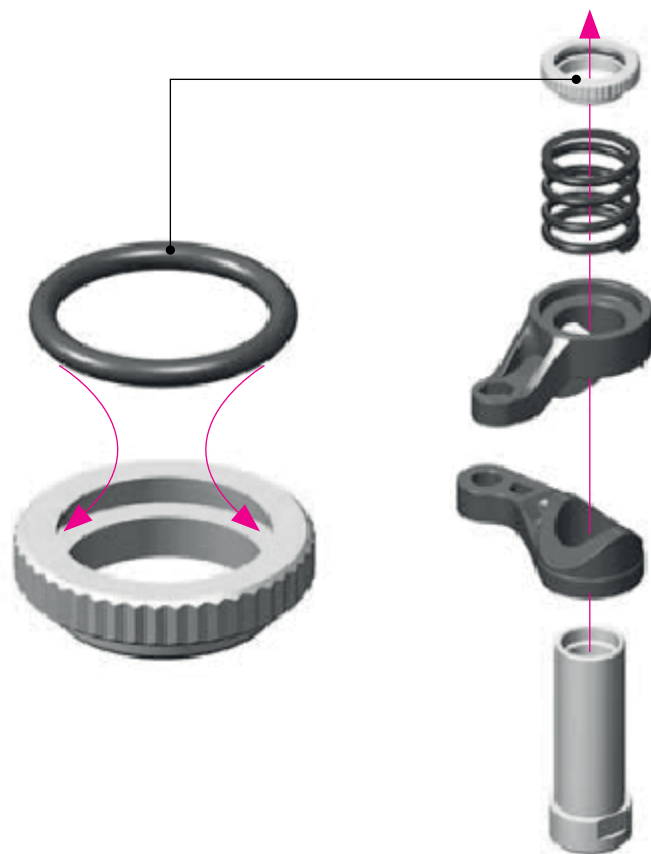
GT851394




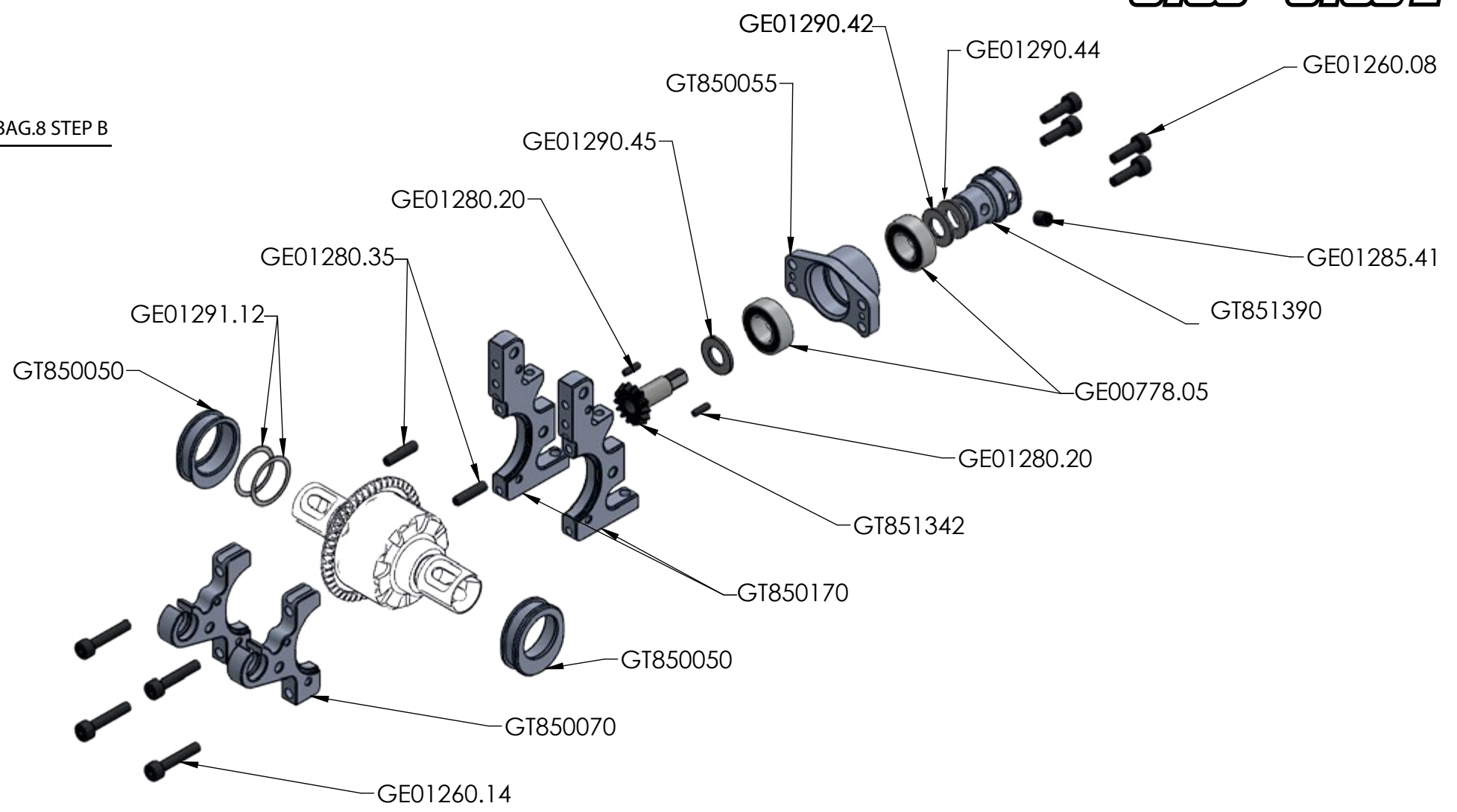
GT851371




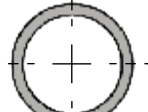
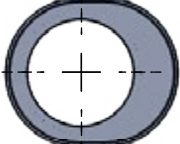
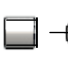
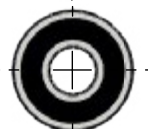
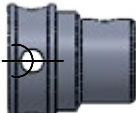



GE01280.35
3X14

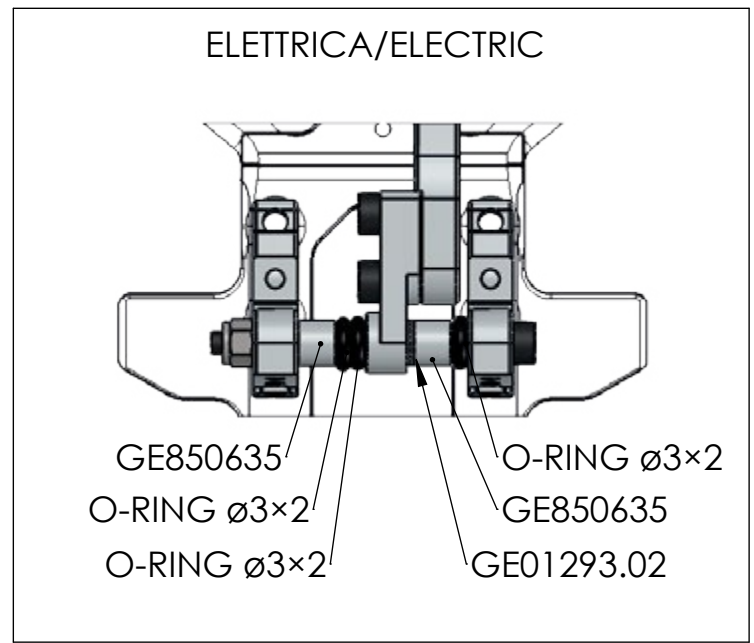
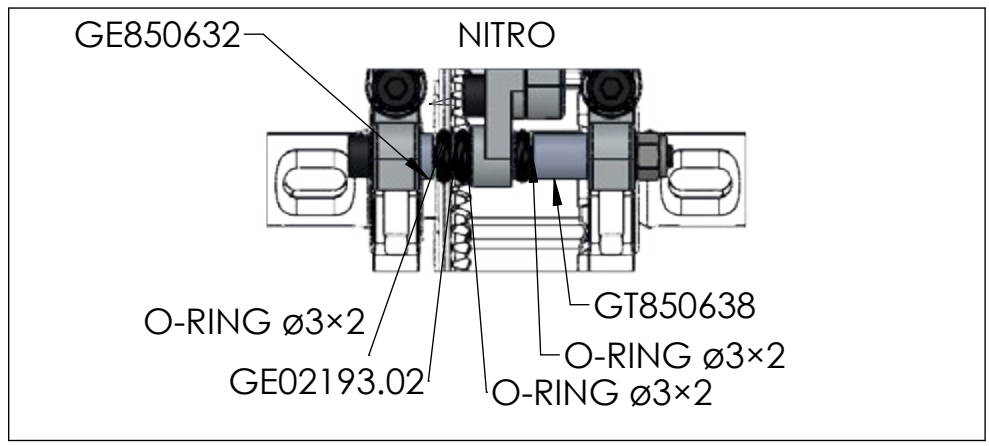
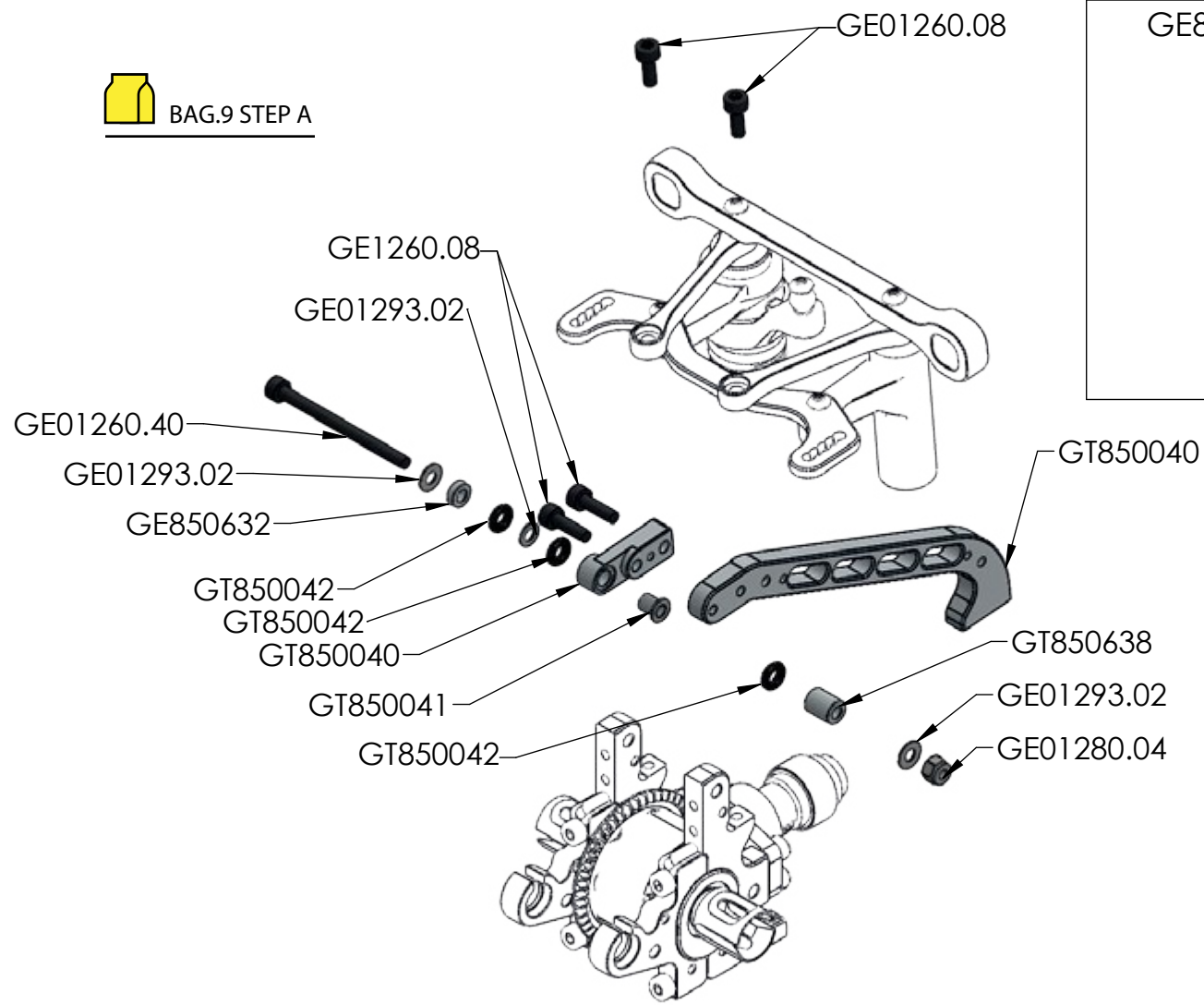





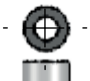





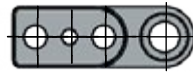
 BAG.8 STEP B




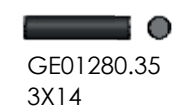
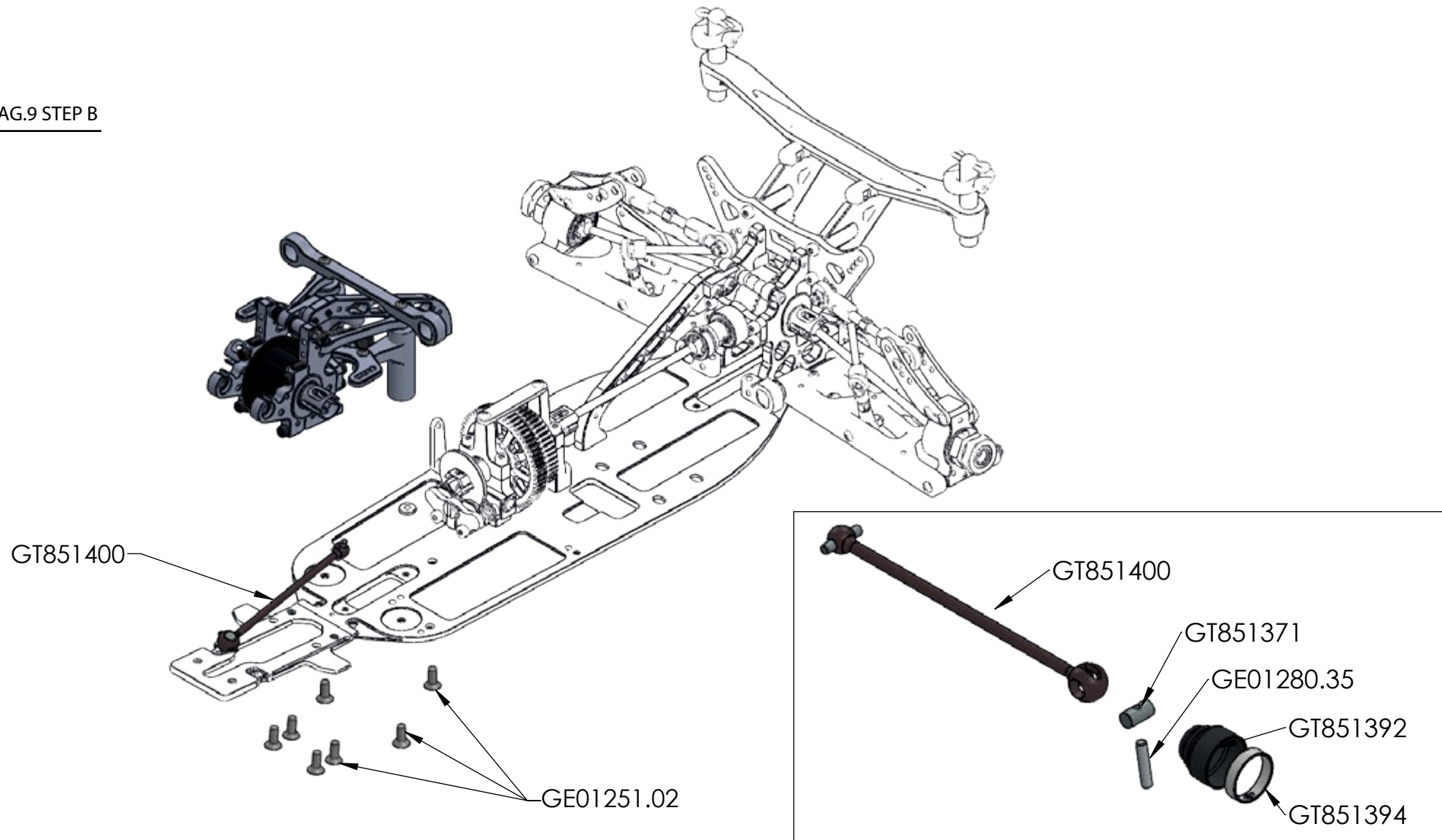
| | | | | | |
|--|---|---|---|---|---|
|  |  |  |  |  |  |
| GE01260.08 M3X10 | GE01260.14 M3X16 | GE01280.20 2X6 | GE01291.12 13X0.2 | GT850050 | GE01290.42 6X0.3 |
| | | GE01280.35 3X14 |  |  | GE01285.41 M4X4 |
| | | GE01290.45 6X1 | GE00778.05 6X16X5 | GT851390 | |

 BAG.9 STEP A



- 
GE01260.08
M3X10
- 
GE01295.00
3X6X0.5
- 
GE850632
3X6X2
- 
GE850638
3X6X7.5
- 
GT850042
OR 3X2
- 
GE01280.04
M3 LOCK
- 
GE01260.40
M3X40
- 
- 
GT850041
- 
GT850040

 BAG.9 STEP B

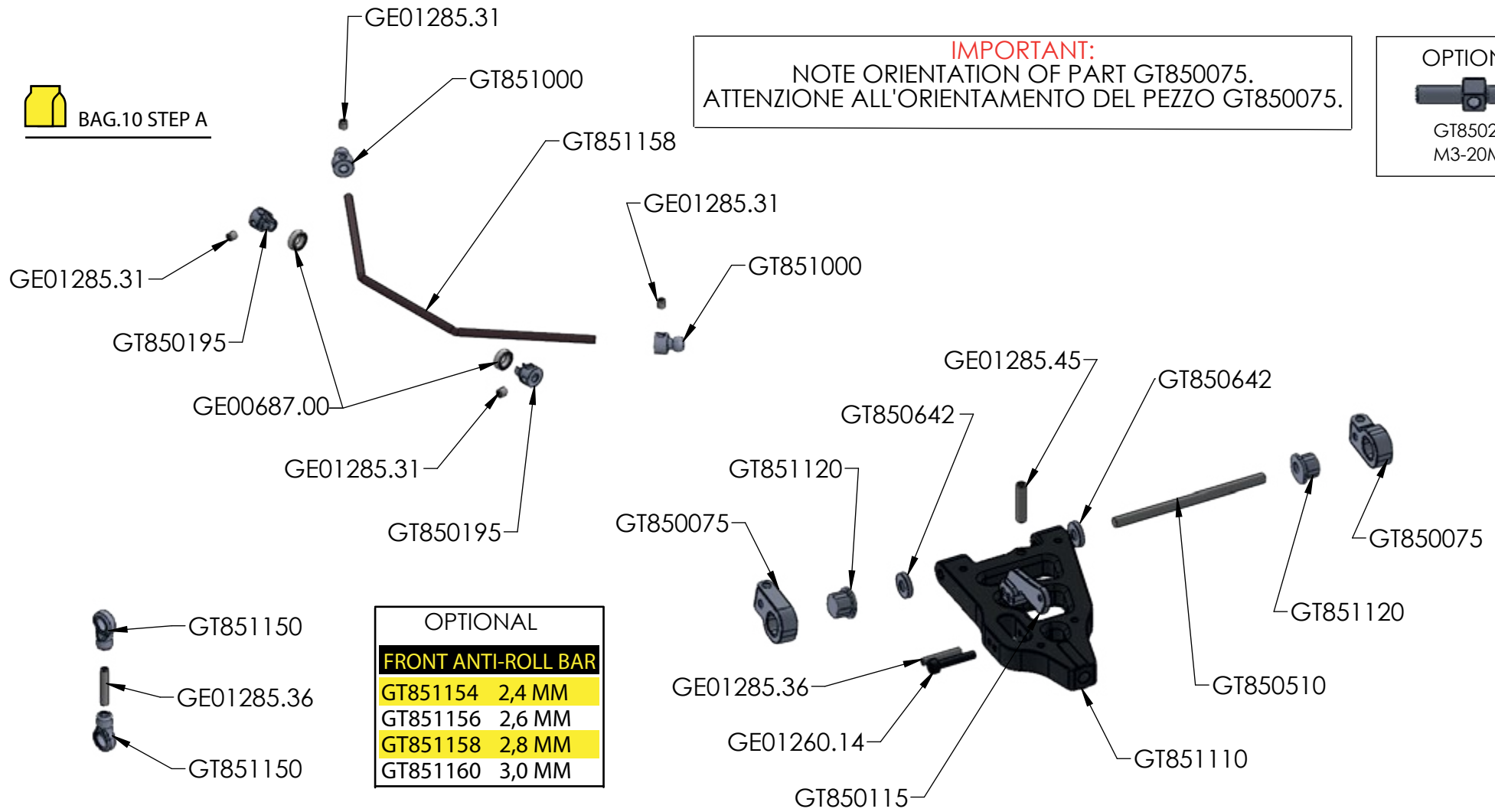


 BAG.10 STEP A

IMPORTANT:
NOTE ORIENTATION OF PART GT850075.
ATTENZIONE ALL'ORIENTAMENTO DEL PEZZO GT850075.

OPTIONAL

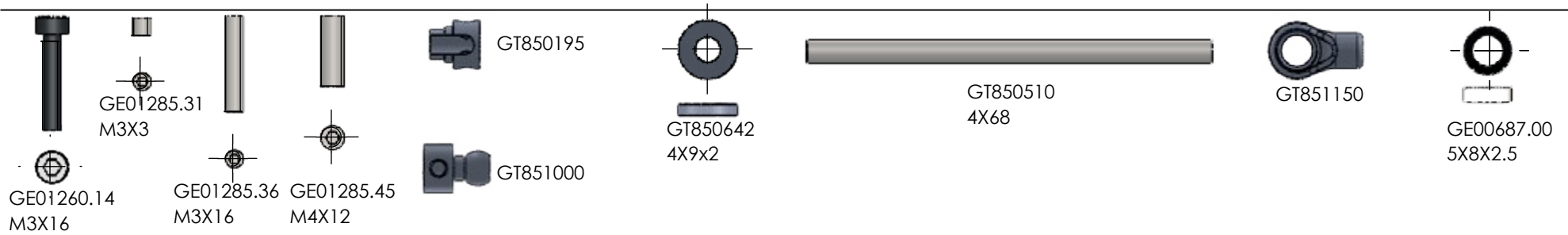
GT850205
M3-20MM



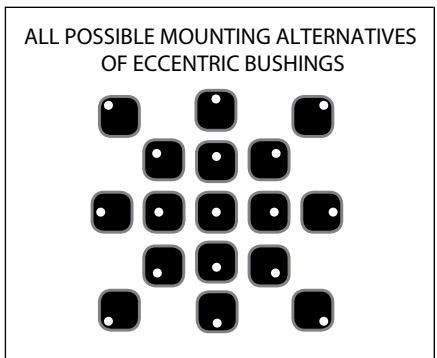
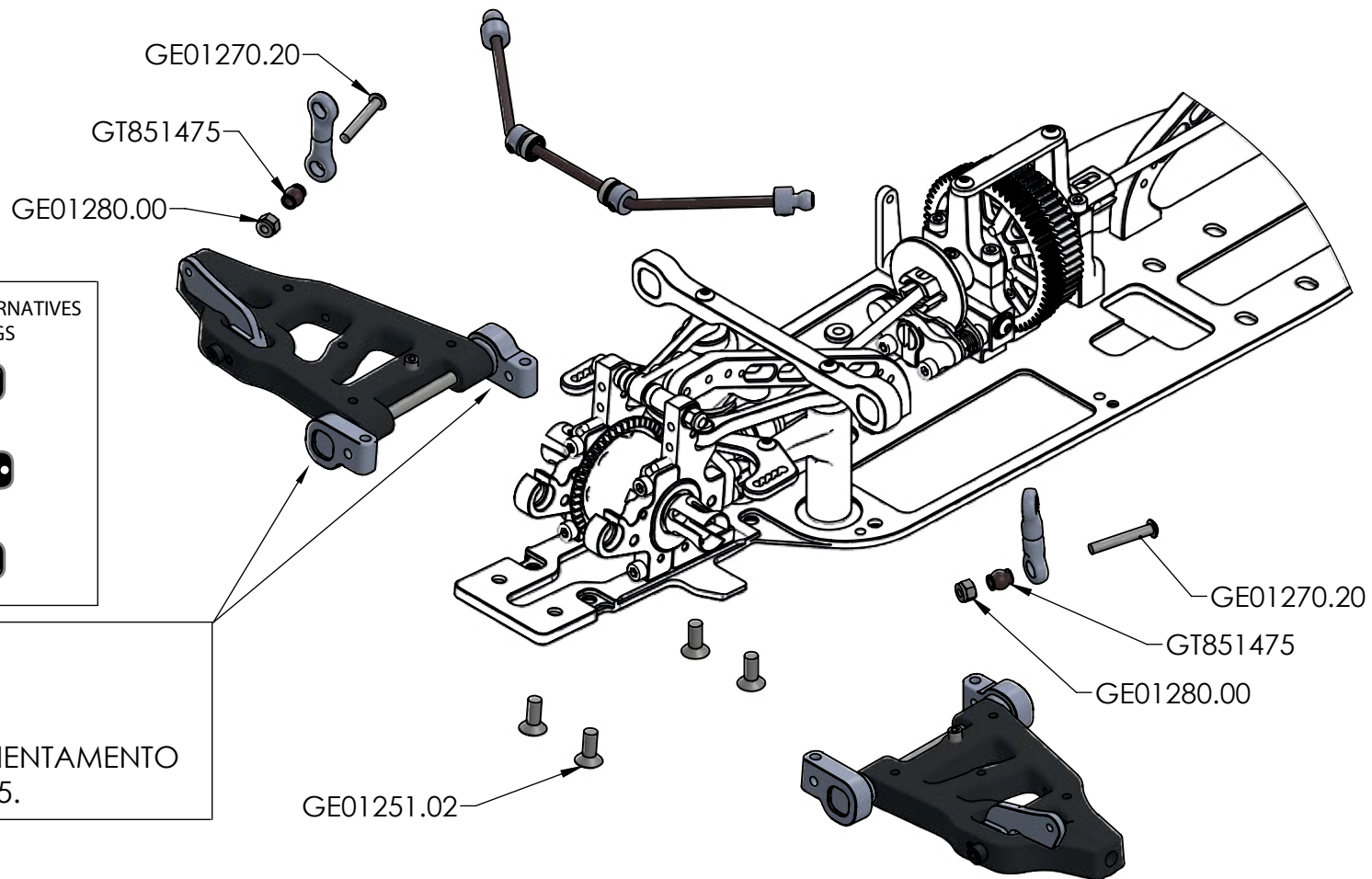
OPTIONAL

FRONT ANTI-ROLL BAR

| | |
|----------|--------|
| GT851154 | 2,4 MM |
| GT851156 | 2,6 MM |
| GT851158 | 2,8 MM |
| GT851160 | 3,0 MM |




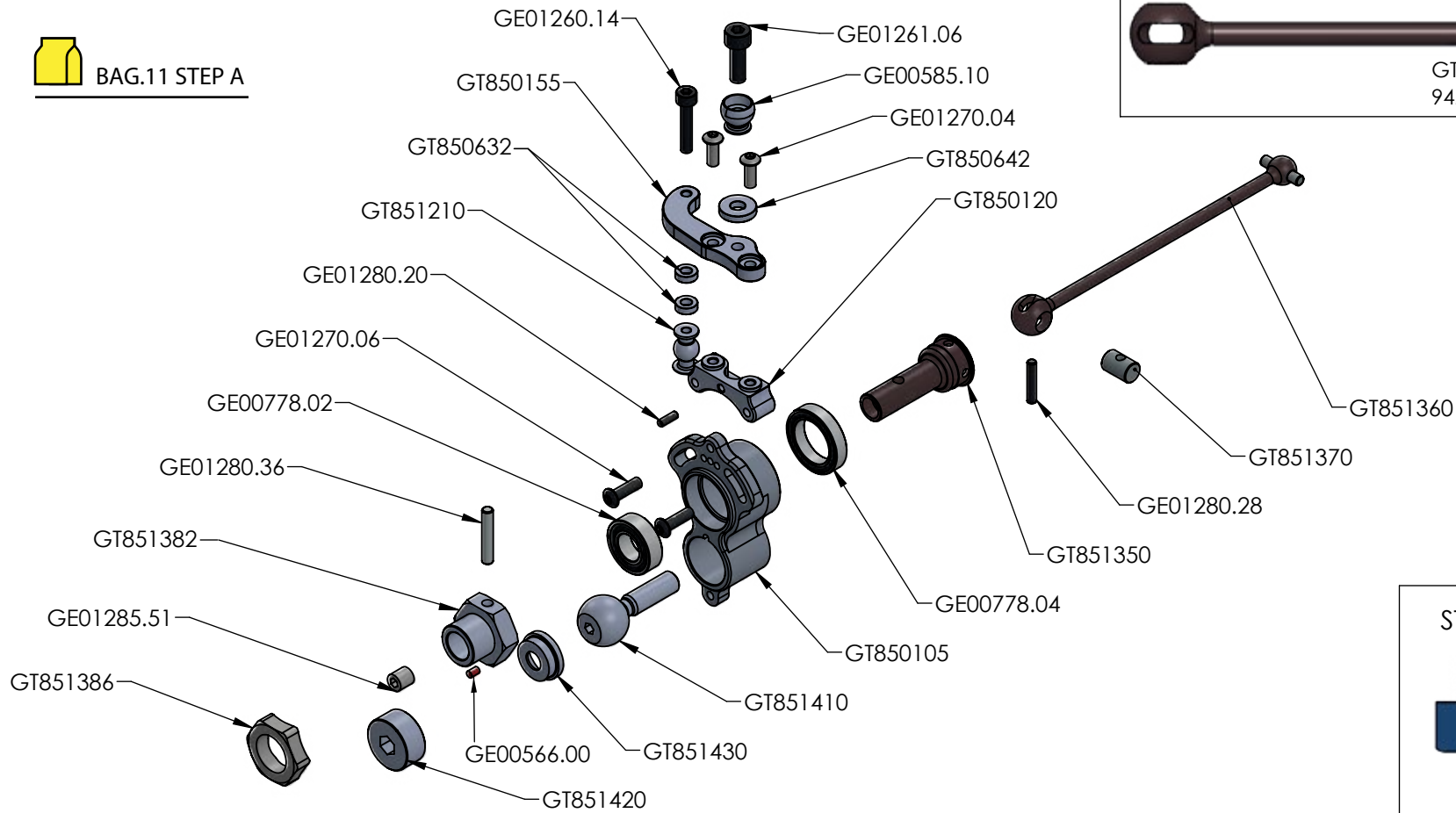
 BAG.10 STEP B





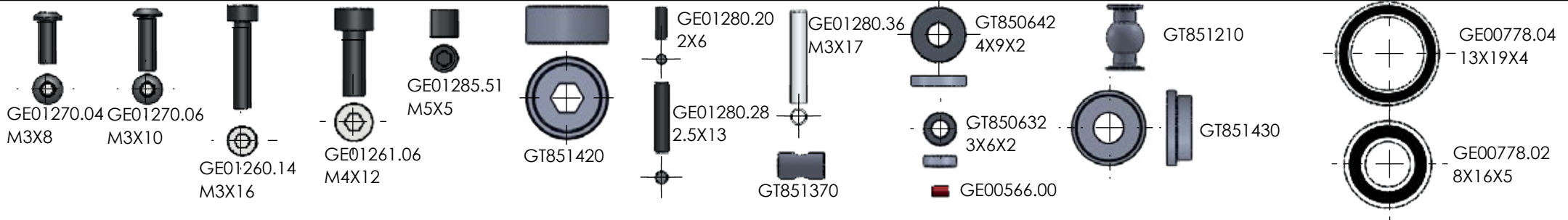
IMPORTANT:
NOTE ORIENTATION OF PART GT850075.
ATTENZIONE ALL'ORIENTAMENTO DEL PEZZO GT850075.



 BAG.11 STEP A



| STANDARD | OPTIONAL |
|--|--|
|  |  |
| GT851382 +2MM | GT851381 +1MM |

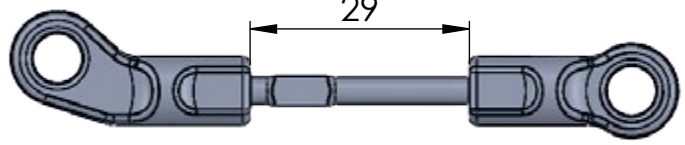


 BAG.11 STEP B

OPTIONAL

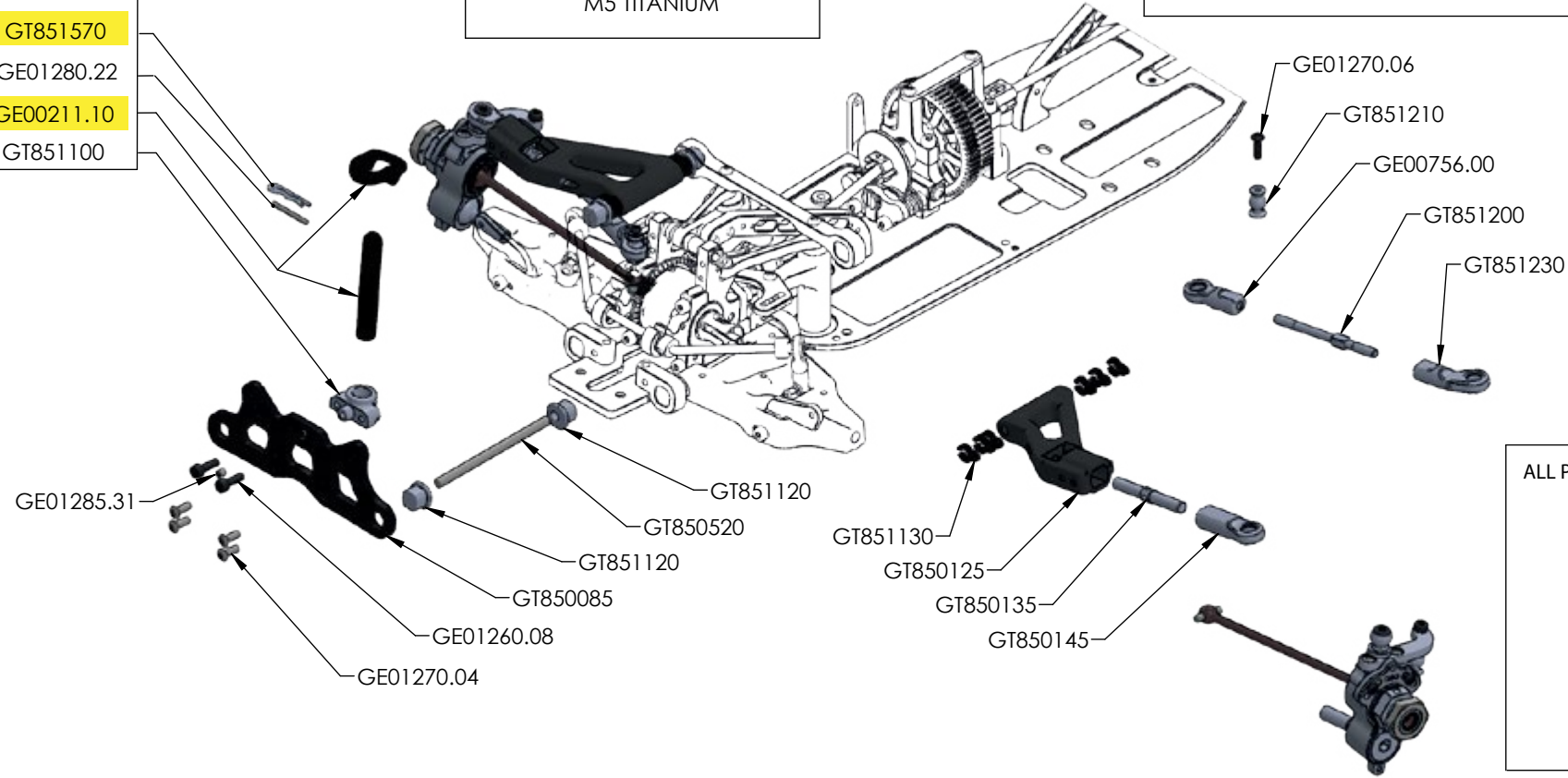


GT850316
M5 TITANIUM



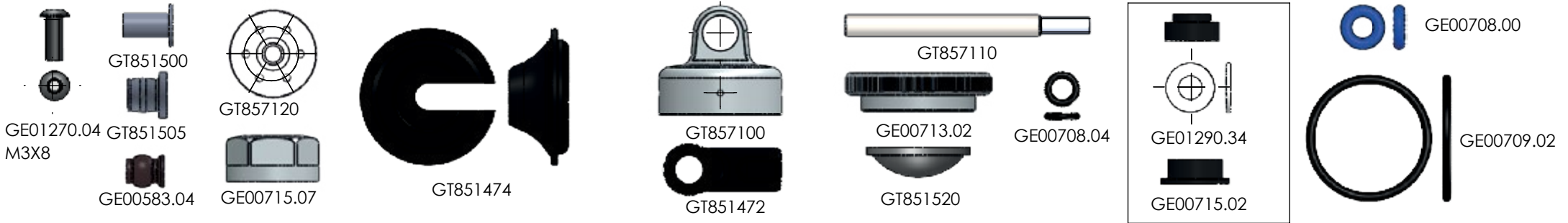
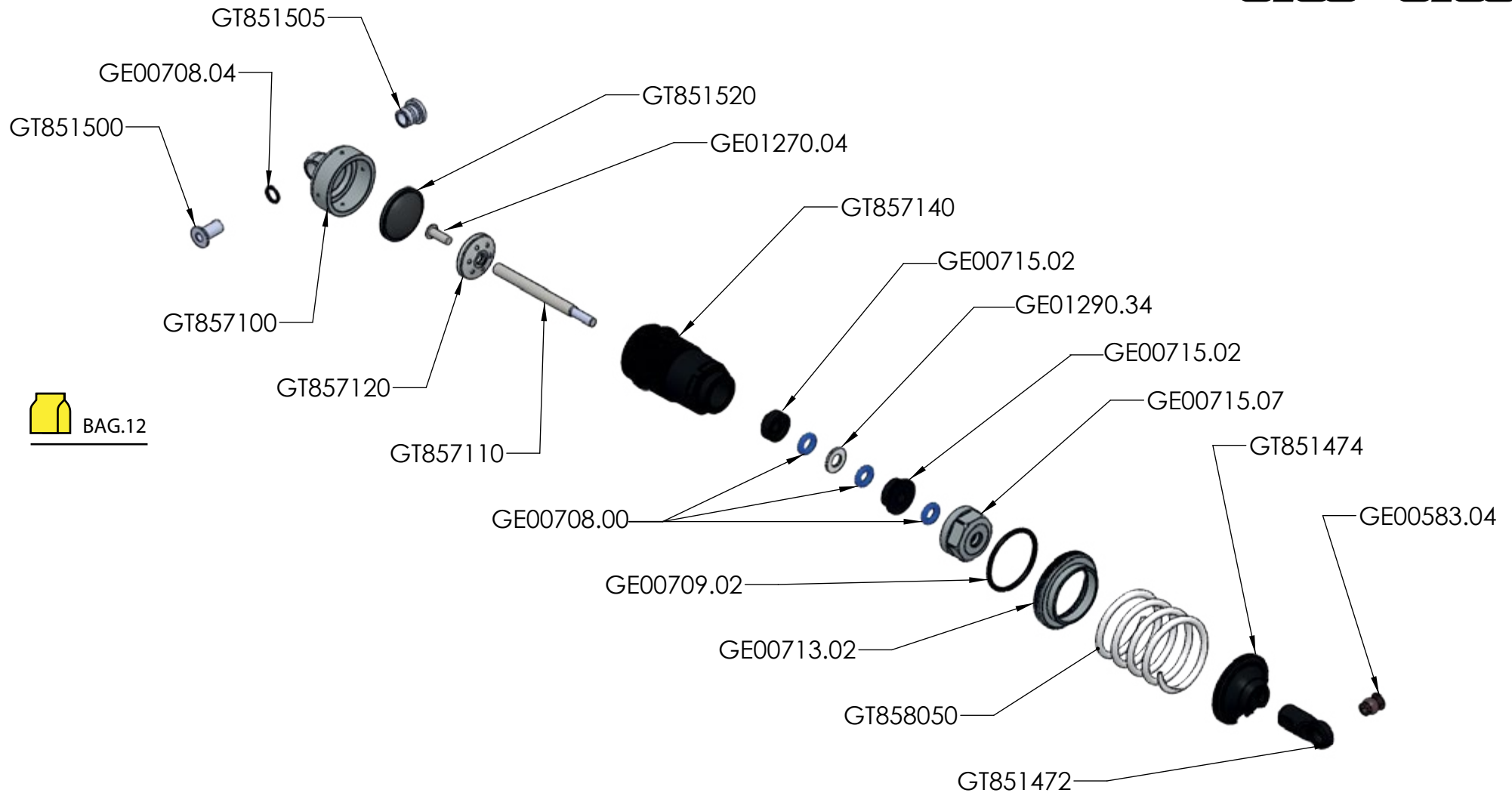
29

- OPTIONAL
- GT851570
 - GE01280.22
 - GE00211.10
 - GT851100

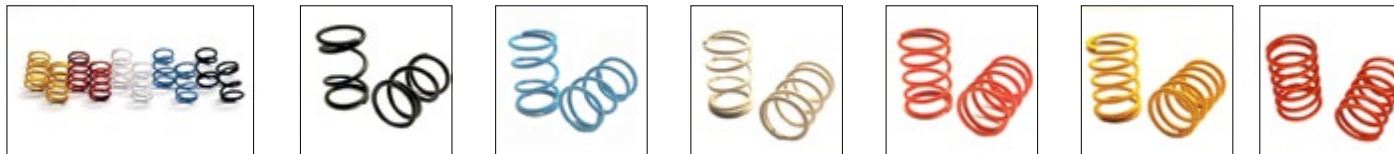


ALL POSSIBLE MOUNTING ALTERNATIVES OF ECCENTRIC BUSHINGS

- GE01270.04 M3X8
- GE01270.06 M3X10
- GE01260.08 M3X10
- GT851210
- GT851570
- GT850520
- GE01280.22 2X10
- GE01285.31 M3X3
- GT850145
- GT851200 53 MM
- GT850135 M5
- GT851230
- GE00756.00



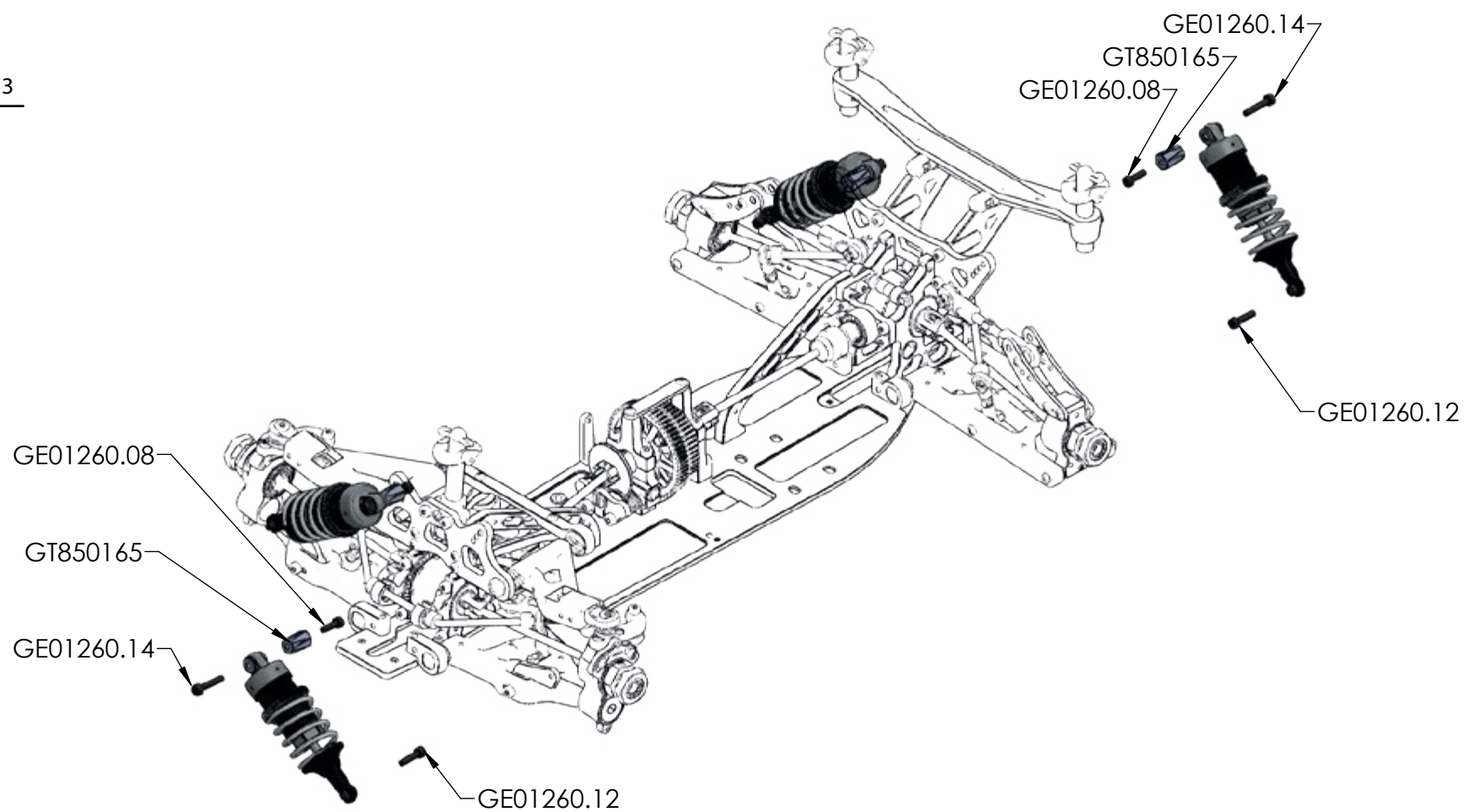
SPRING



- GT858000 GT SHOCK SPRINGS SET..... (10)
- GT858040 GT SHOCK SPRINGS BLACK..... 4.0 COILS - HARD (2)
- GT858045 GT SHOCK SPRINGS BLUE..... 4.5 COILS - MEDIUM/HARD (2)
- GT858050 GT SHOCK SPRINGS WHITE..... 5.0 COILS - MEDIUM (2)
- GT858055 GT SHOCK SPRINGS RED..... 5.5 COILS - MEDIUM/SOFT (2)
- GT858060 GT SHOCK SPRINGS YELLOW..... 6.0 COILS - SOFT (2)
- GT858065 GT SHOCK SPRINGS ORANGE..... 6.5 COILS - SUPER SOFT (2)

SILICONE OIL

- | | |
|---|---|
| GE04000.30 SILICONE OIL 300CST.....60ML | GE04008.00 SILICONE OIL 8.000CST60ML |
| GE04000.40 SILICONE OIL 400CST.....60ML | GE04009.00 SILICONE OIL 9.000CST60ML |
| GE04000.50 SILICONE OIL 500CST.....60ML | GE04010.00 SILICONE OIL 10.000CST60ML |
| GE04000.60 SILICONE OIL 600CST.....60ML | GE04020.00 SILICONE OIL 20.000CST60ML |
| GE04000.70 SILICONE OIL 700CST.....60ML | GE04030.00 SILICONE OIL 30.000CST60ML |
| GE04000.80 SILICONE OIL 800CST.....60ML | GE04050.00 SILICONE OIL 50.000CST60ML |
| GE04001.00 SILICONE OIL 1.000CST.....60ML | GE04060.00 SILICONE OIL 60.000CST60ML |
| GE04002.00 SILICONE OIL 2.000CST.....60ML | GE04100.00 SILICONE OIL 100.000CST.....60ML |
| GE04003.00 SILICONE OIL 3.000CST.....60ML | GE04200.00 SILICONE OIL 200.000CST.....60ML |
| GE04004.00 SILICONE OIL 4.000CST.....60ML | GE04300.00 SILICONE OIL 300.000CST.....60ML |
| GE04005.00 SILICONE OIL 5.000CST.....60ML | GE04500.00 SILICONE OIL 500.000CST.....60ML |
| GE04006.00 SILICONE OIL 6.000CST.....60ML | GE04990.00 SILICONE OIL 1.000.000CST...60ML |
| GE04007.00 SILICONE OIL 7.000CST.....60ML | |



GE01260.08
M3X10




GE01260.12
M3X12

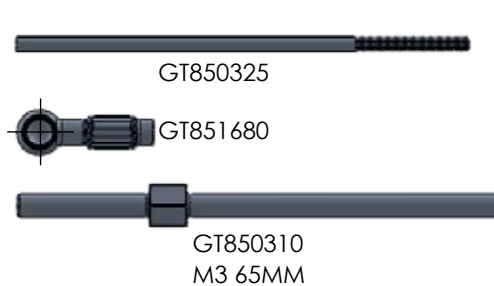
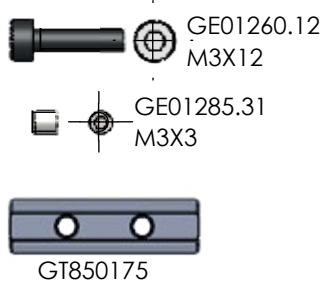
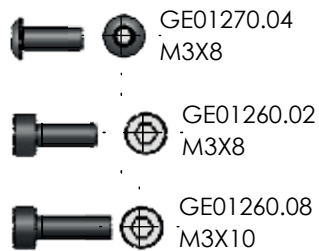
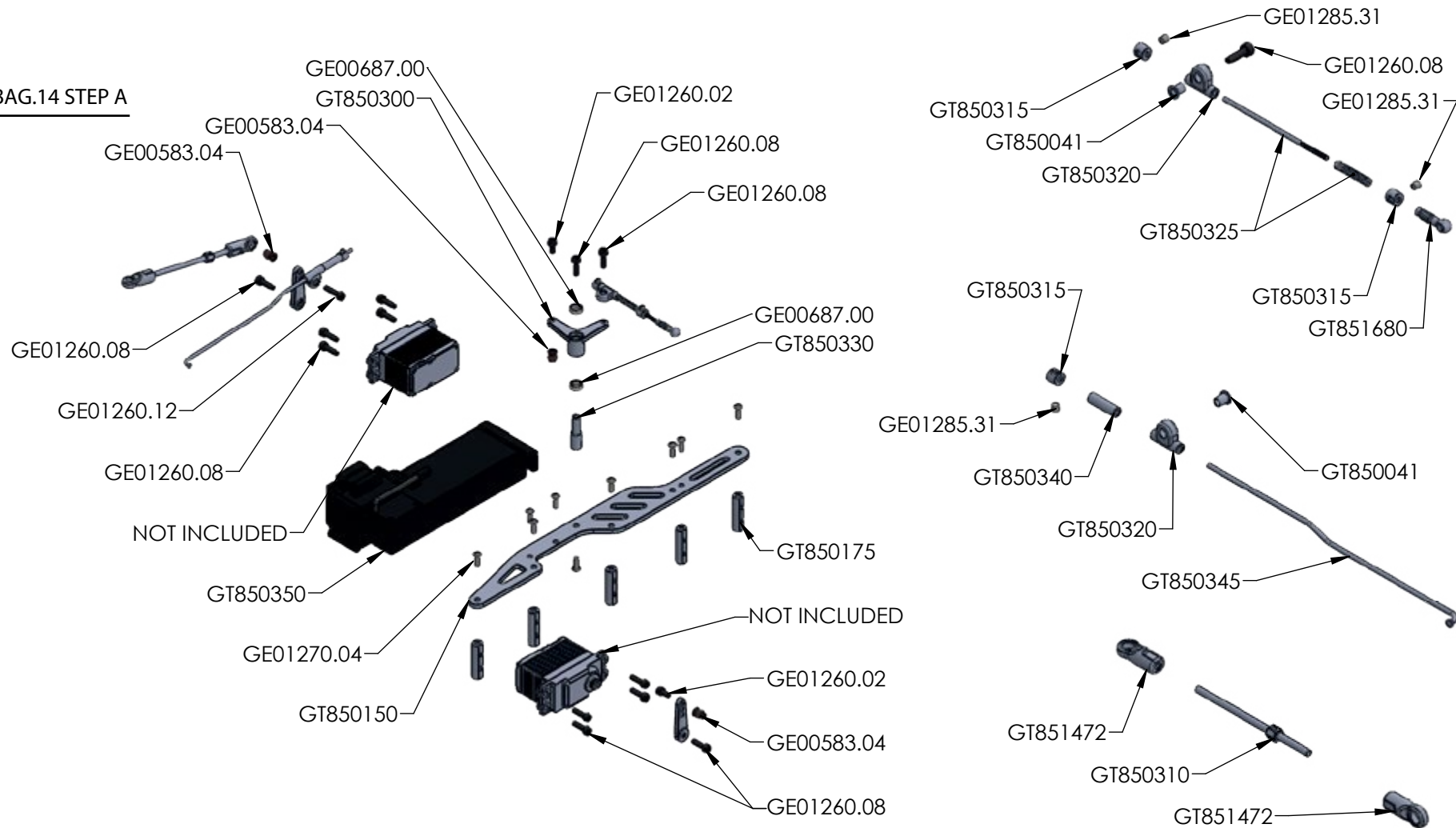



GE01260.14
M3X16

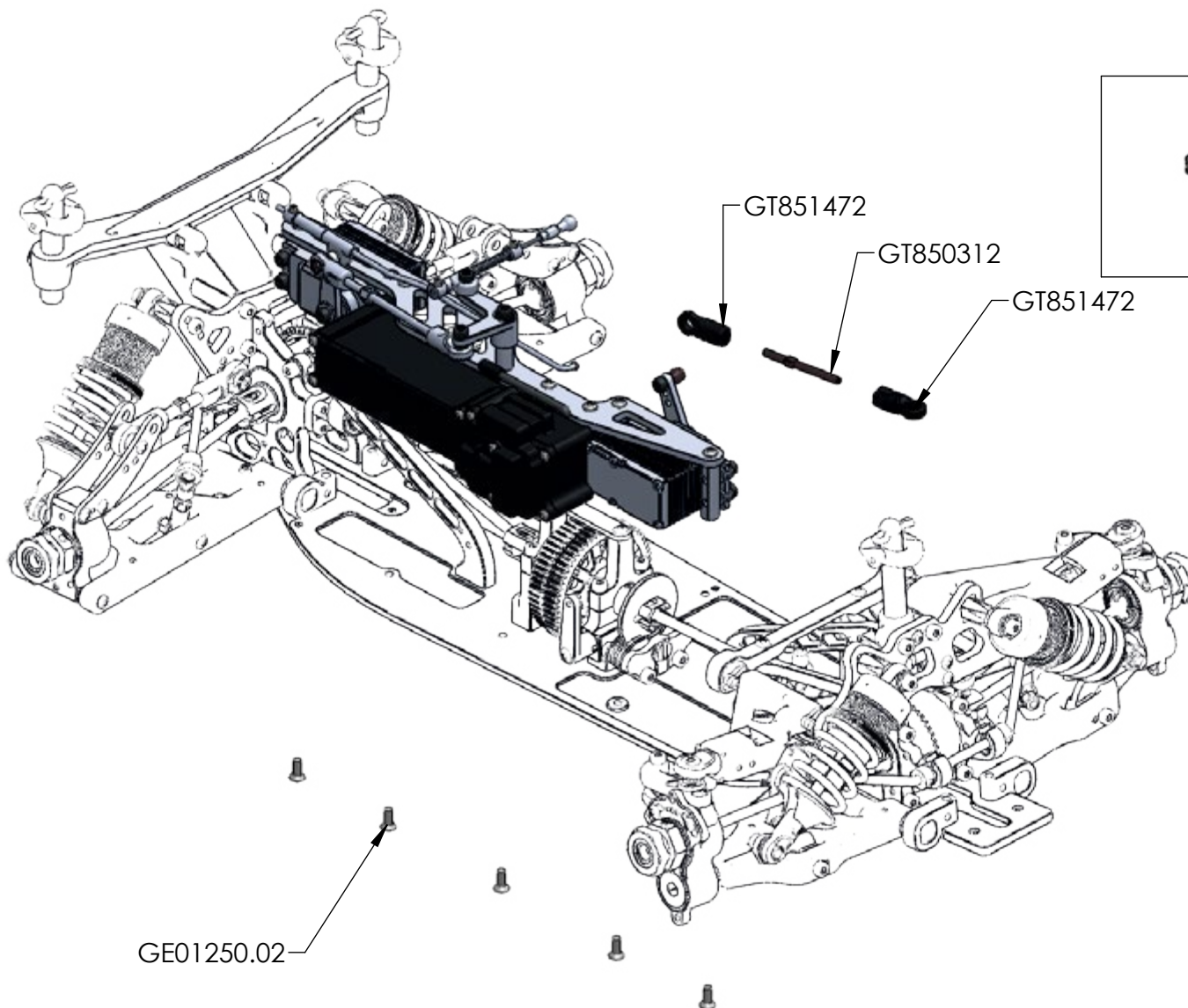


GT850165

 BAG.14 STEP A



 BAG.14 STEP B



OPTIONAL



GT850313
M3-35MM TITANIUM



GE01250.02
M3X8



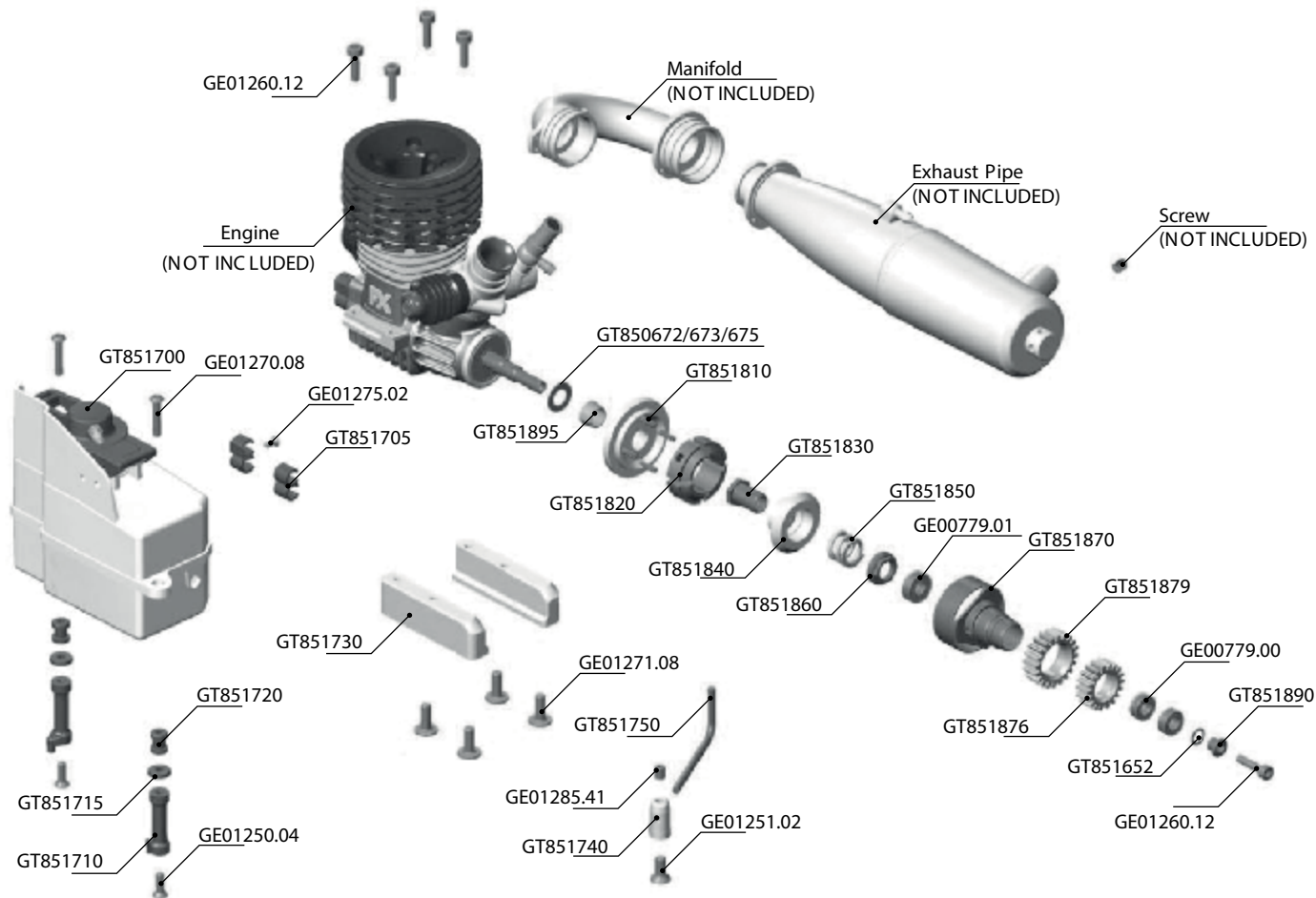
GT850312
M3-35MM



GT851472



Art. GT851800 CLUTCH



1ST PINION GEAR HARD

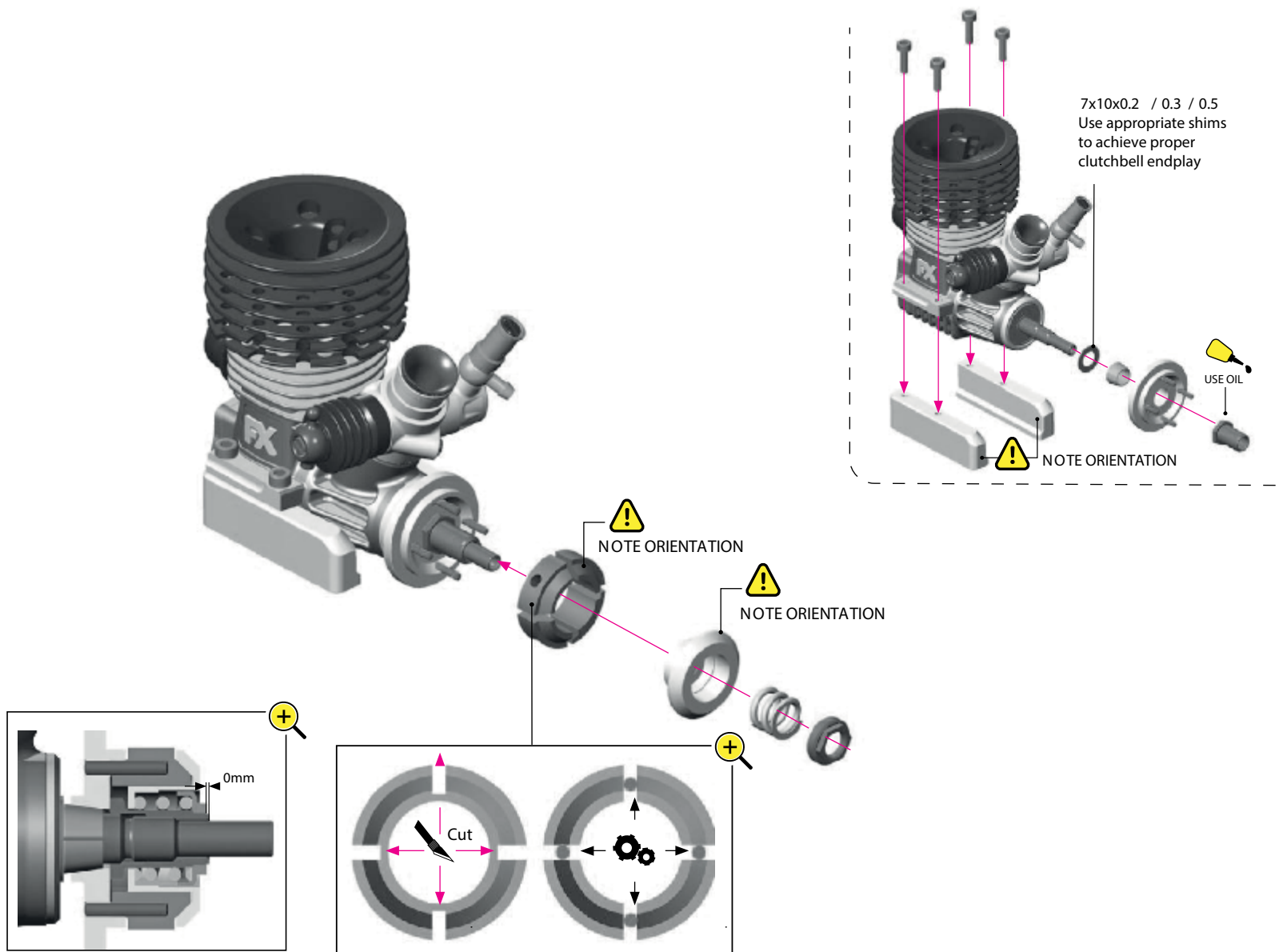


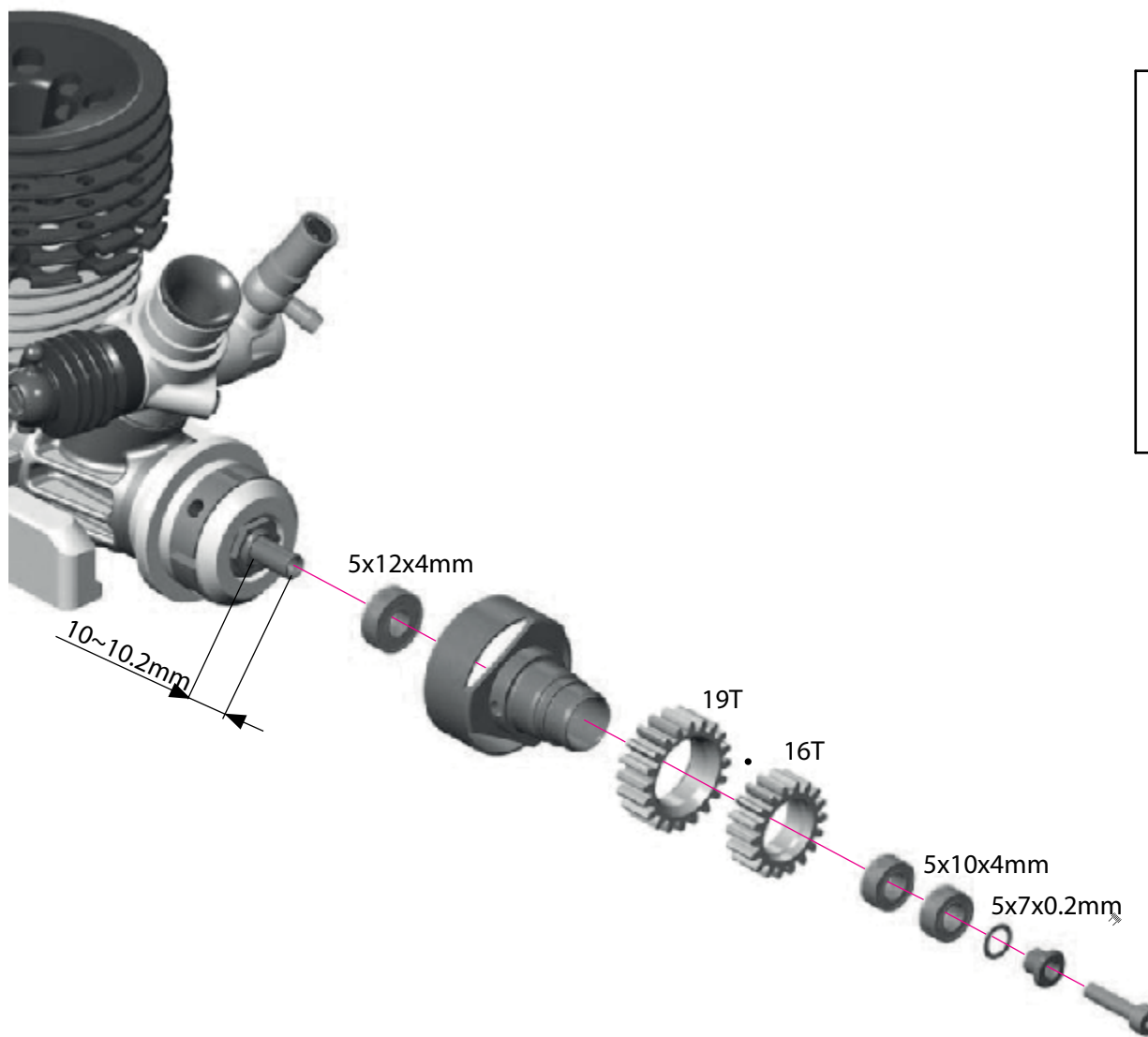
| | | |
|----------|------|----------|
| GT851875 | 15 T | OPTION |
| GT851876 | 16 T | INCLUDED |
| GT851877 | 17 T | OPTION |
| GT851878 | 18 T | OPTION |



2ST PINION GEAR HARD

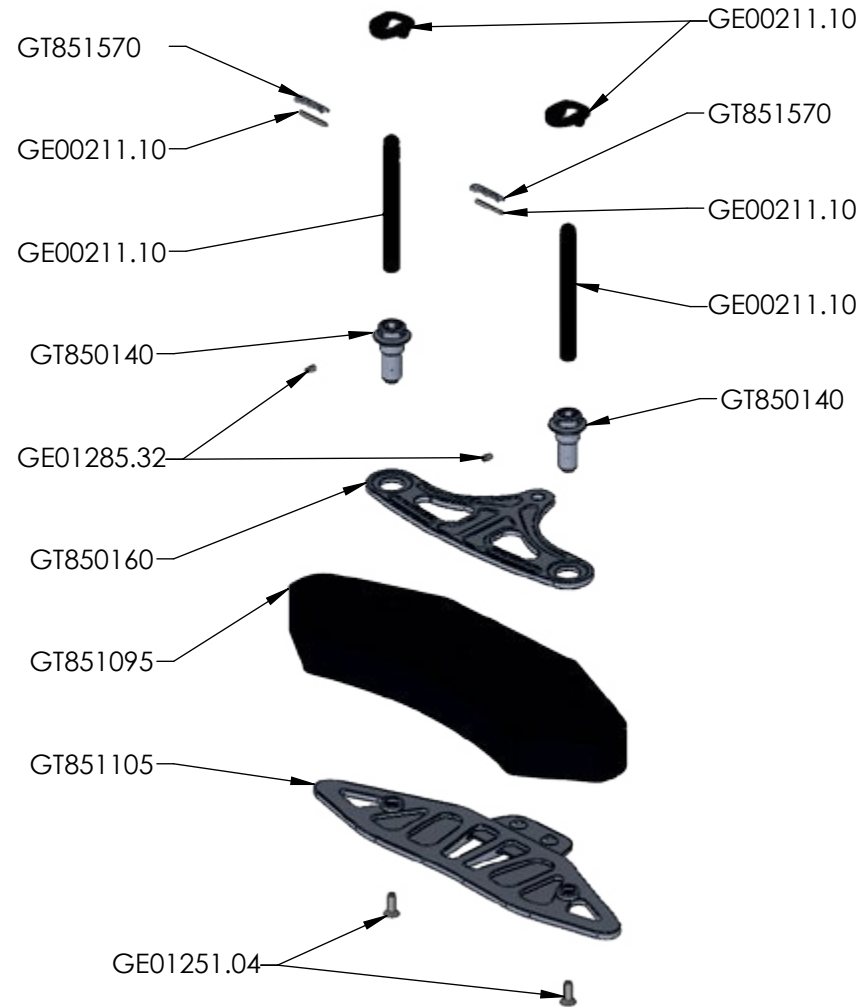
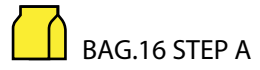
| | | |
|----------|-----|----------|
| GT851879 | 19T | INCLUDED |
| GT851880 | 20T | OPTION |
| GT851881 | 21T | OPTION |





OPTIONAL

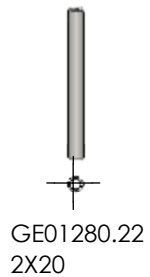
| | |
|---|---|
|  | GT851872 CLUTCH BELL ALU LIGHT 13/17 |
|  | GT851874 CLUTCH BELL ALU LIGHT 14/18 |



GE01251.04
M4X12



GE01285.32
M3X5



GE01280.22
2X20



GT851570




GT850140

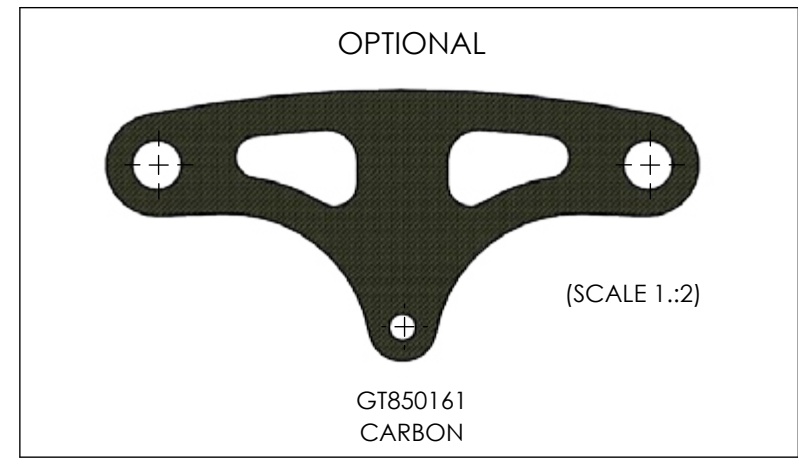
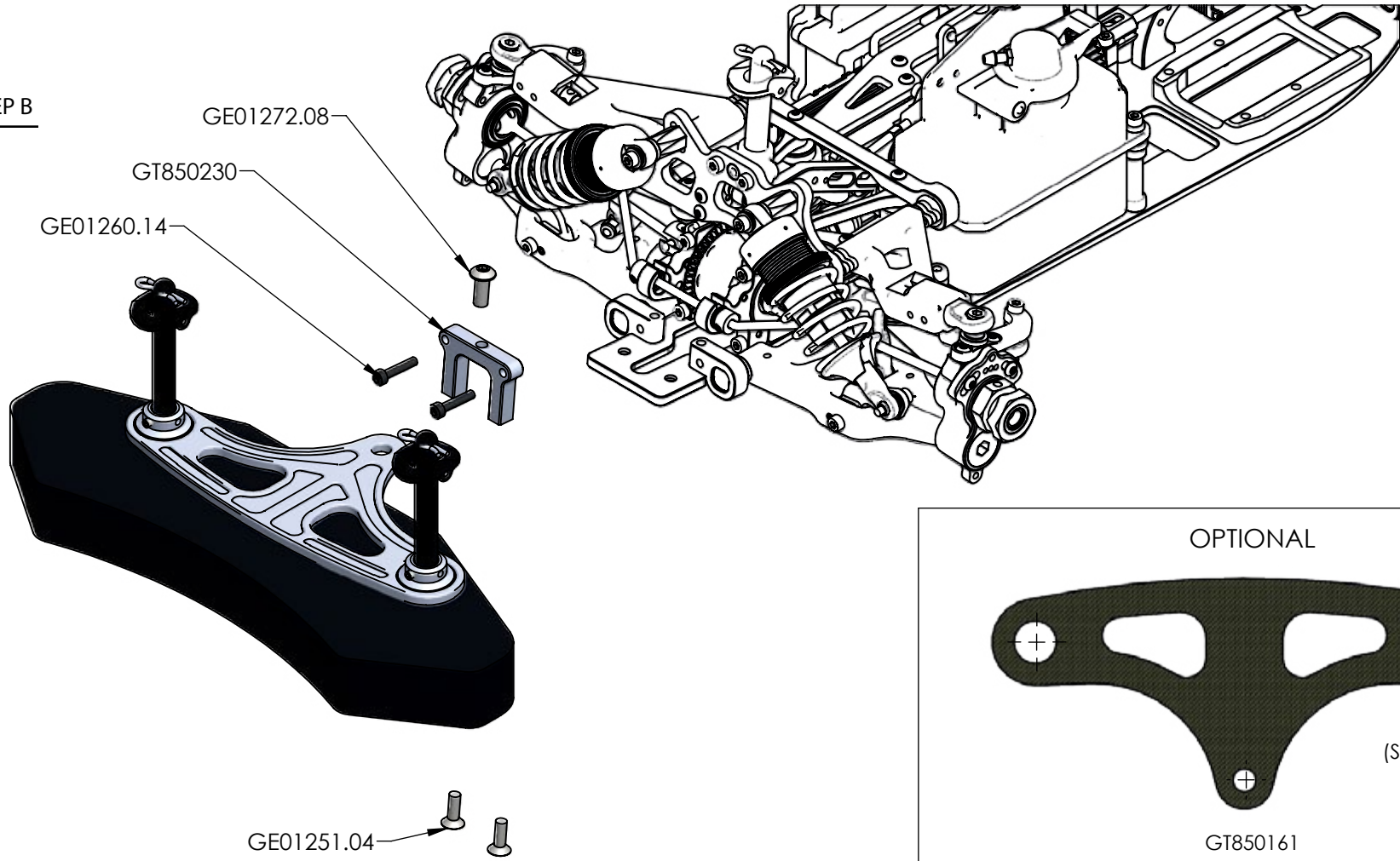


GE00211.10



GE00211.10

 BAG.16 STEP B



OPTIONALS **GTCB**

AERO SERIES



GT859005
GRAPHITE
AERODYNAMIC DISC SET

LIGHT SERIES



GT851411
STEEL PIVOT BALL ALU LIGHT
13,7 MM



GT850313
ADJ STEERING TITANIUM LIGHT 3x35



GT851211
BALL STUD 6,8MM
WITH BACK STOP M3 ALU



GT851212
BALL STUD 6,8MM
WITH BACK STOP Ø3 ALU



GT850161
CARBON GRAPHITE BUMPER PLATE



GT850136
ADJ FROONT ARM TURNBUCKLE
M5 TITANIUM

RACE SERIES



GT859025
WEIGHTS 10 GR



GT859000
GRAPHITE SERVO GUARD



GT859020
BALANCE BRASS WEIGHT
ADJUSTABLE 30 GR + 12 GR



MODELTEK

di Noacco Zeno,

Via Madonna di Strada, 34

33048 San Giovanni al Natisone

(UD) Italia

+39 0432 1849976

info@genius-racing.com

www.modeltekshop.com

www.genius-racing.com



GeniusRacingXR