



**GTCC8**

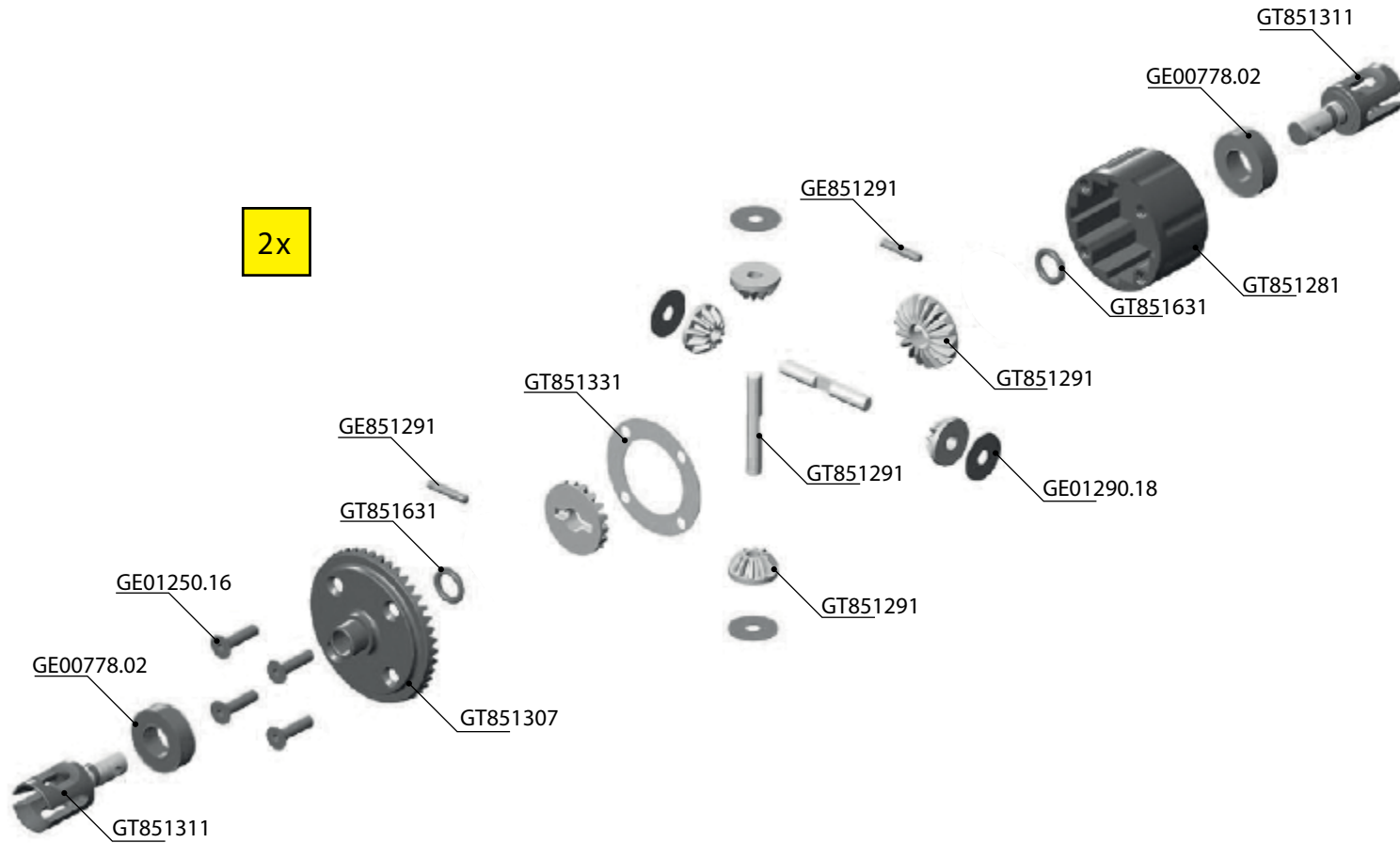
***NITRO & ELECTRIC***

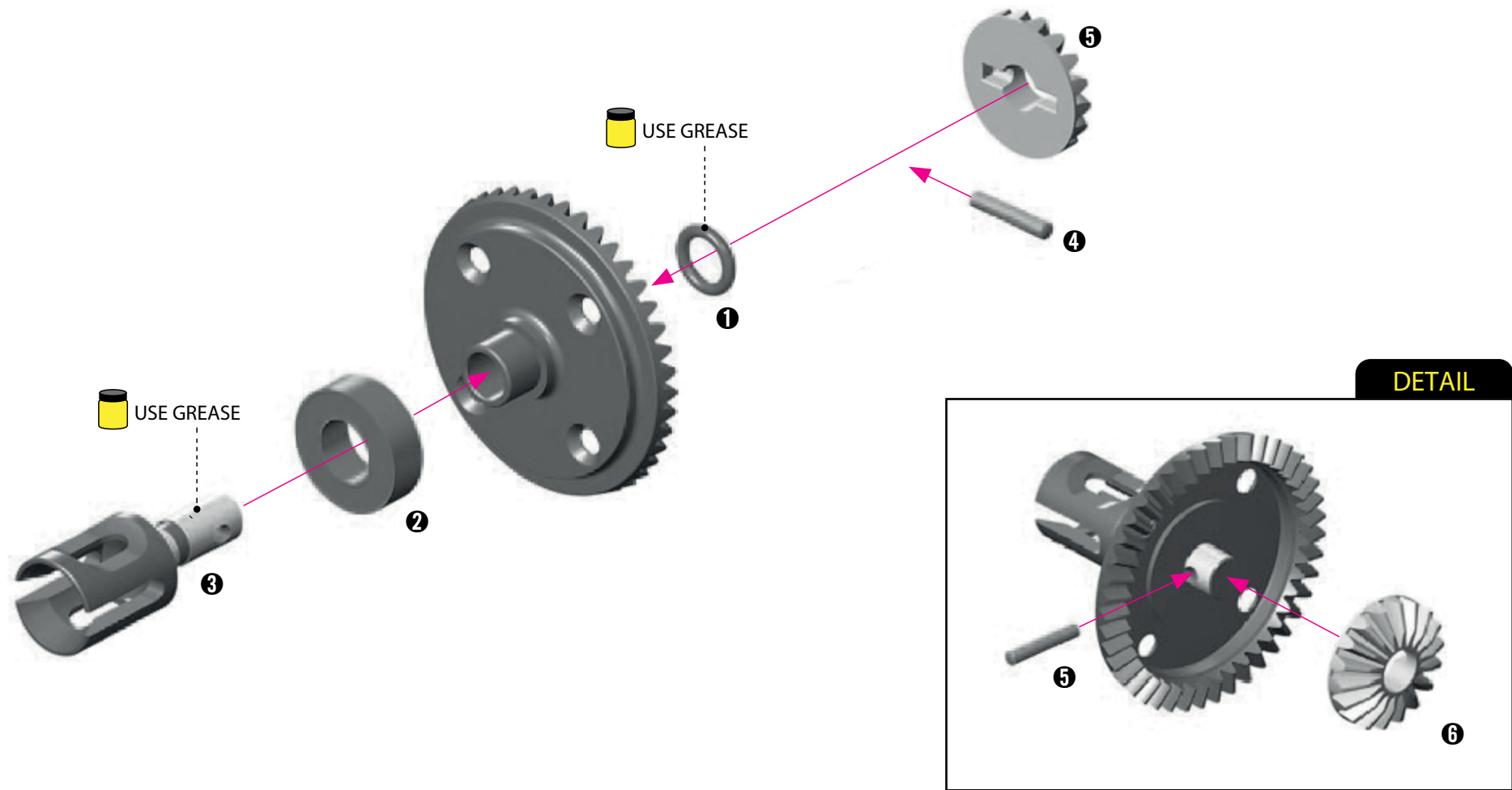
2021

	pag		pag
1. DIFFERENTIALS .....	1	27. SERVO SAVER .....	27
2. DIFFERENTIALS .....	2	28. FRONT BULKHEAD & SERVO SAVER .....	28
3. DIFFERENTIALS.....	3	29. FRONT REINFORCEMENT BRACE .....	29
4. DIFFERENTIALS .....	4	30. FRONT REINFORCEMENT BRACE .....	30
5. DIFFERENTIALS .....	5	31. LOWER FRONT SUSPENSION ARMS.....	31
6. REAR BULKHEAD.....	6	32. LOWER FRONT SUSPENSION ARMS.....	32
7. REAR BULKHEAD.....	7	33. FRONT STEERING BLOCKS & SUSPENSION.....	33
8. REAR REINFORCEMENT BRACE.....	8	34. FRONT STEERING BLOCKS & SUSPENSION.....	34
9. LOWER SUSPENSION ARMS REA.....	9	35. SHOCK ABSORBERS .....	35
10. REAR UP-RIGHTS .....	10	36. SHOCK ABSORBERS .....	36
11. REAR UP-RIGHTS .....	11	37. SHOCK ABSORBERS .....	37
12. GEAR BOX .....	12	38. RADIO PLATE NITRO .....	38
13. GEAR BOX .....	13	39. RADIO PLATE NITRO .....	39
14. GEAR BOX .....	14	40. CLUTCH & FUEL TANK .....	40
15. GEAR BOX .....	15	41. CLUTCH ASSEMBLY .....	41
16. CENTER SOLID SHAFT & MOTOR MOUNT.....	16	42. CLUTCH ASSEMBLY .....	42
17. CENTER SOLID SHAFT & MOTOR MOUNT.....	17	43. FINAL ASSEMBLY .....	43
18. CENTER SOLID SHAFT & MOTOR MOUNT.....	18	44. FINAL ASSEMBLY .....	44
19. CENTER SOLID SHAFT & MOTOR MOUNT .....	19	45. OPTIONALS .....	45
20. CENTER SOLID SHAFT & MOTOR MOUNT.....	20		
21. CENTER SOLID SHAFT & MOTOR MOUNT.....	21		
22. CENTER SOLID SHAFT & MOTOR MOUNT.....	22		
23. CENTER SOLID SHAFT & MOTOR MOUNT.....	23		
24. CENTER MOUNT & BRAKES.....	24		
25. CENTER MOUNT & BRAKES .....	25		
26. FRONT BULKHEAD & SERVO SAVER.....	26		

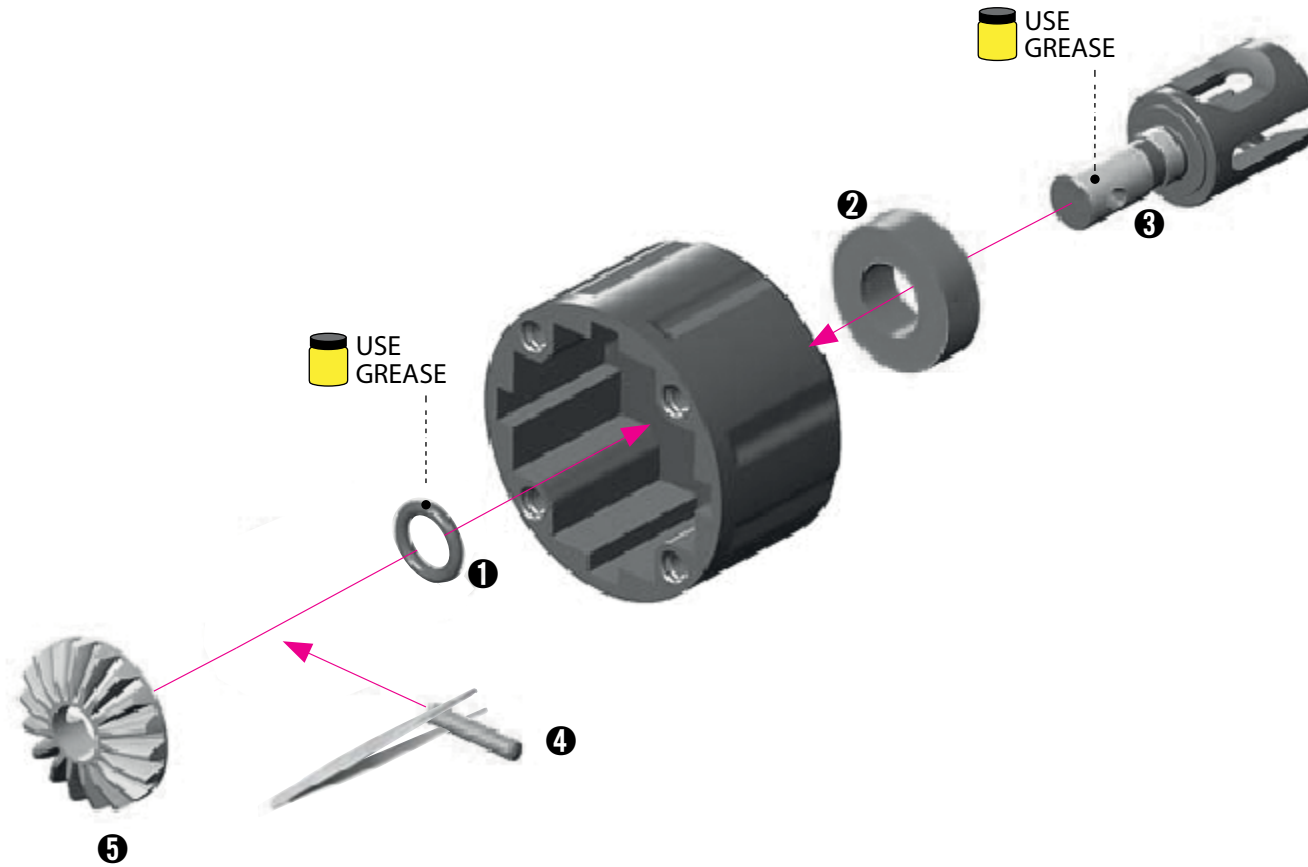


6T851276 DIFFERENTIAL 42T -SET

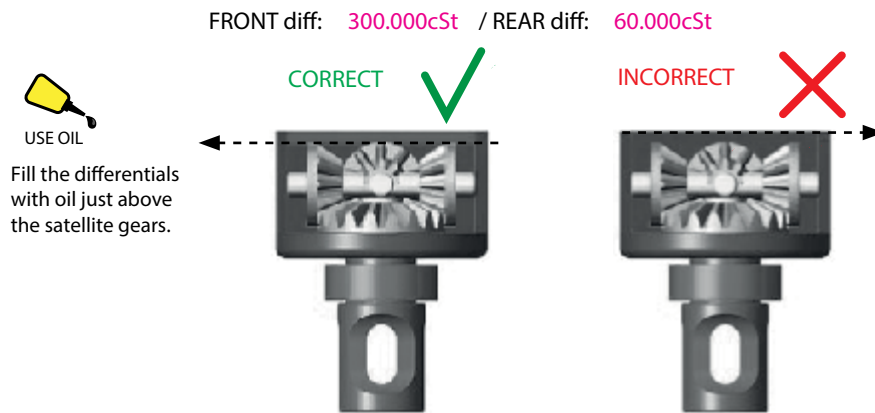




2x



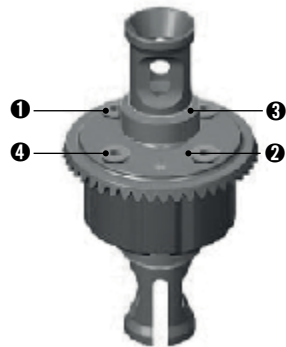




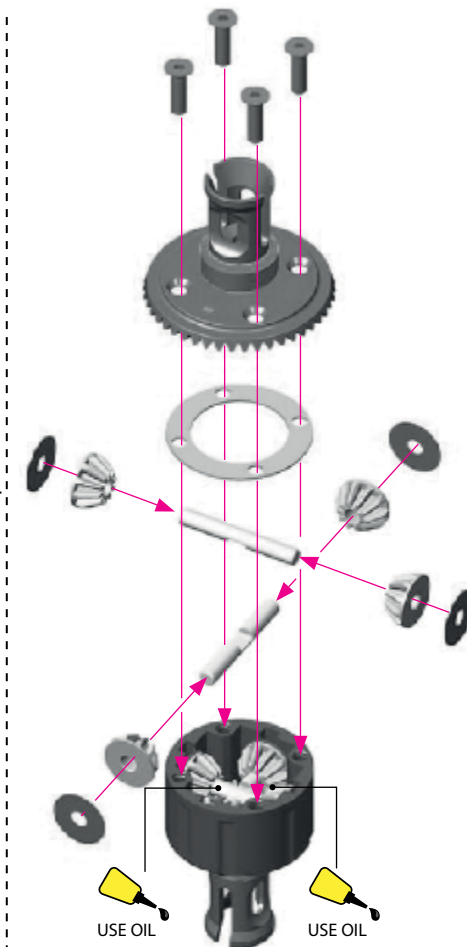
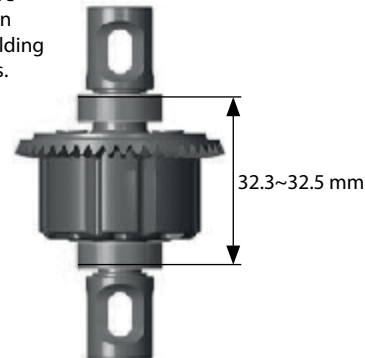
Tighten the screws equally



Finish tightening in this order



After assembly the differentials should have a length of 32.3~32.5 mm measured from the ends of the installed ball-bearings. If differentials are longer, retighten the 4 screws holding the crown gears.

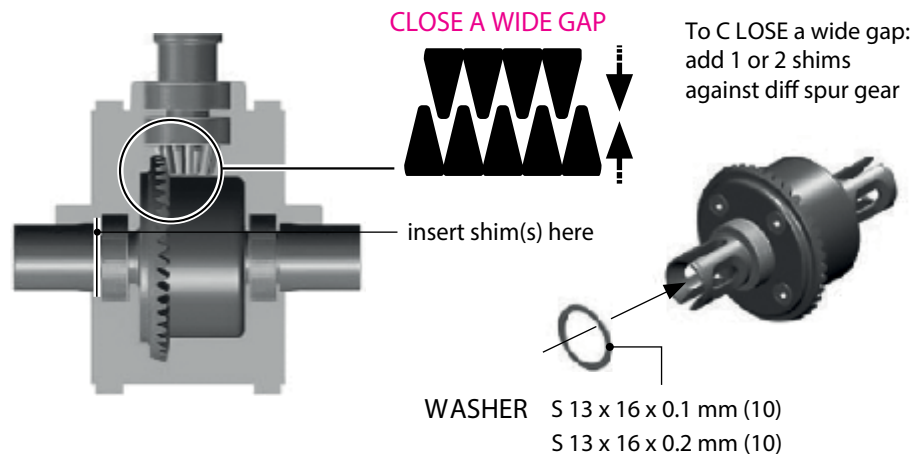


**FRONT & REAR DIFF GEAR MESH ADJUSTMENT**

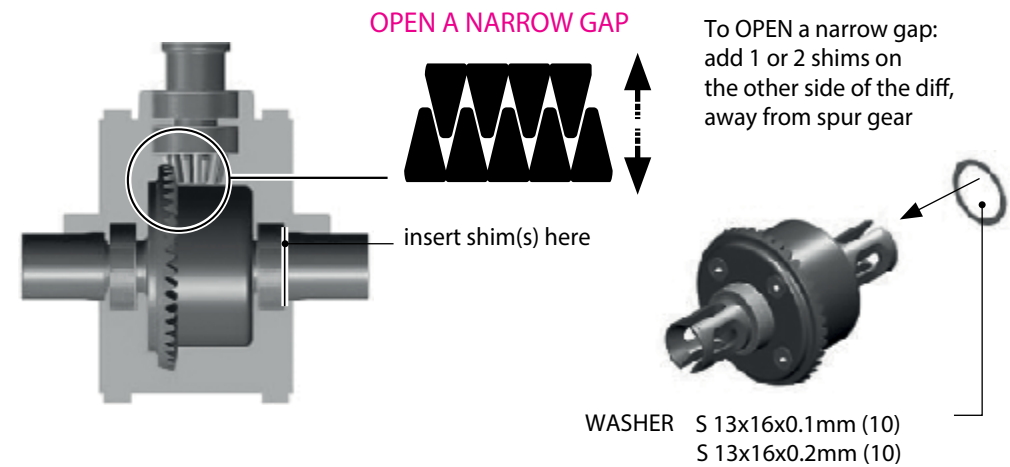
THE LOCATION OF THE SHIM(S) DEPENDS ON WHETHER YOU ARE TRYING TO CLOSE OR OPEN THE GAP.


If there is too much or too little diff side play, this may create non-optimal gear mesh between the diff gear and the pinion drive gear. This is easily resolved by inserting 1 or 2 of the included thin shims behind a diff outdrive ball-bearing, depending on how much play there is.

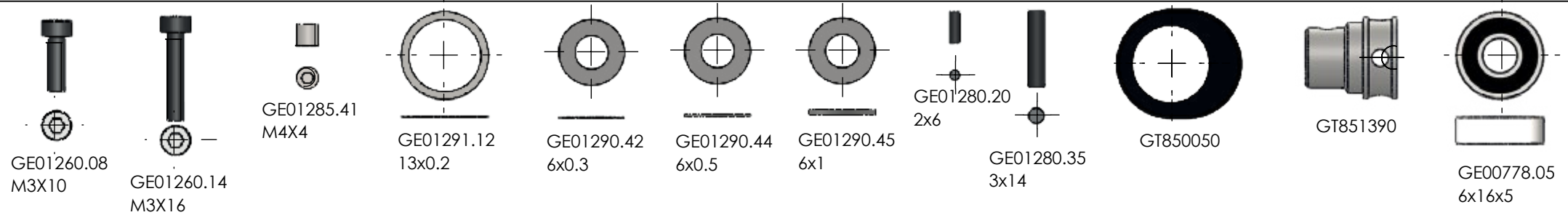
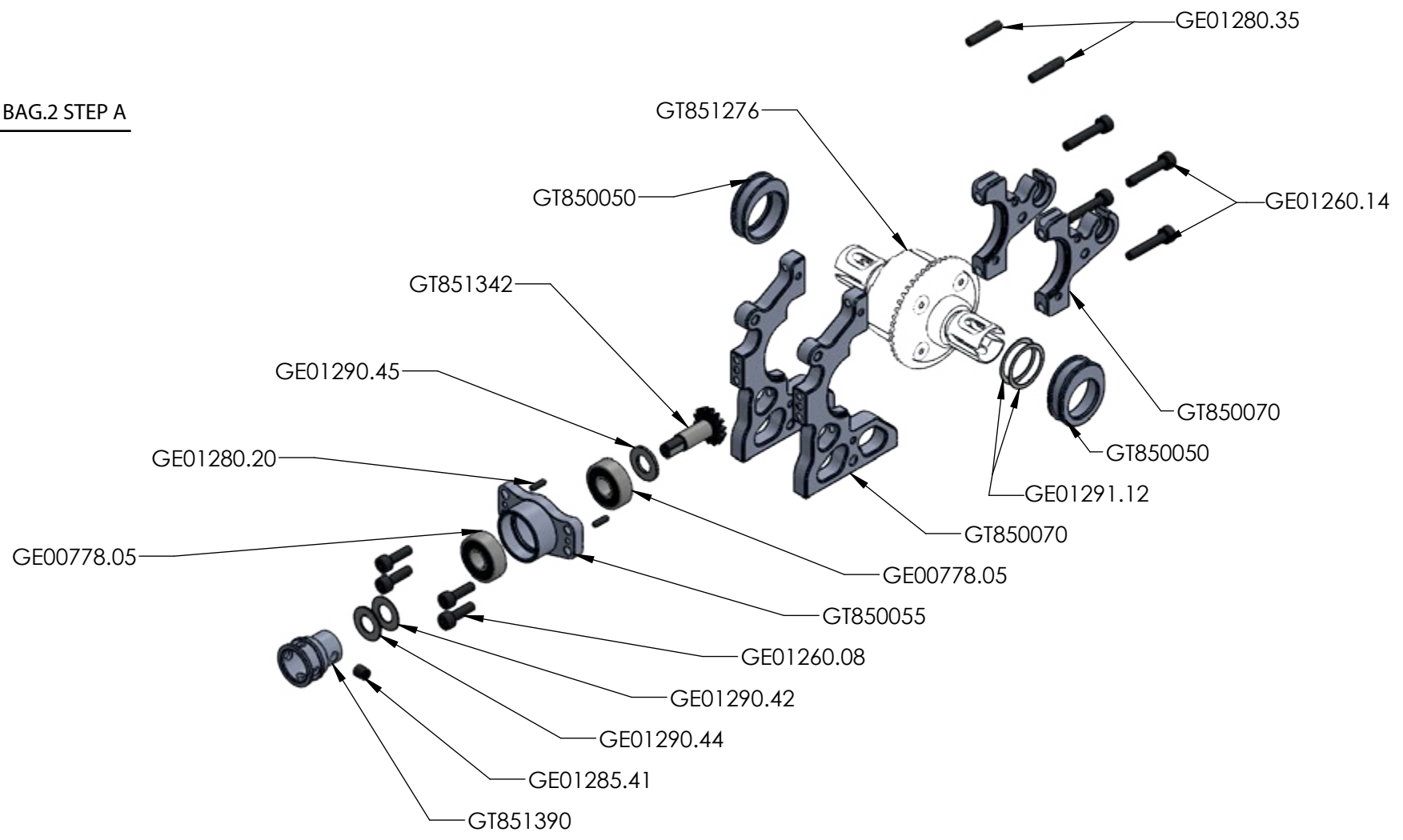
TO CLOSE A WIDE GAP




TO OPEN A NARROW GAP

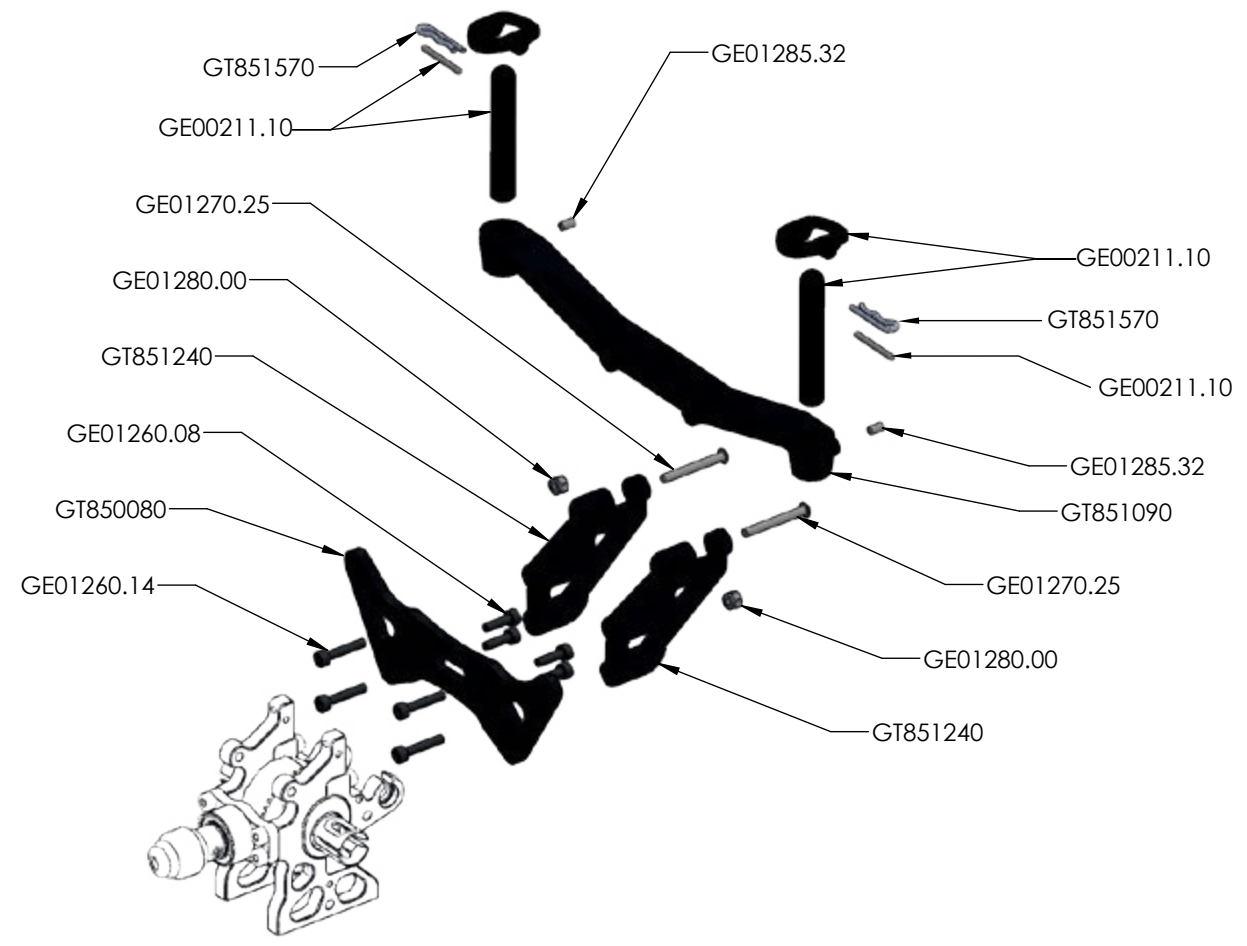









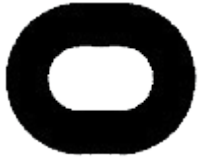

 BAG.2 STEP A





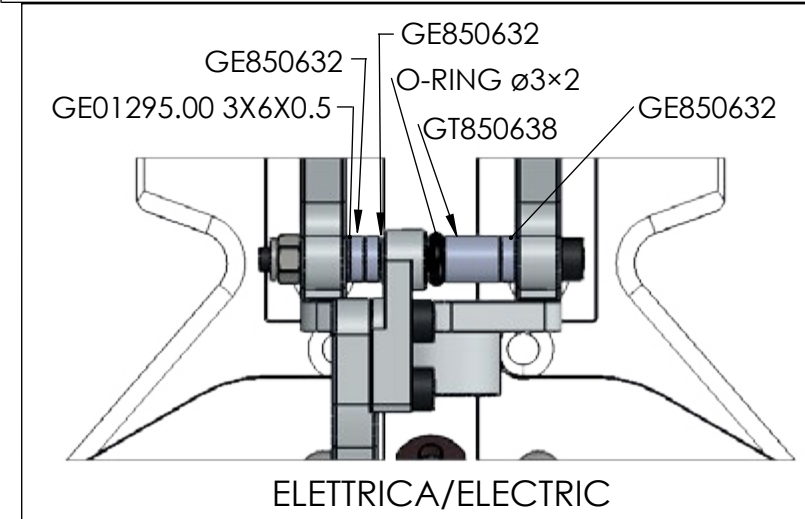
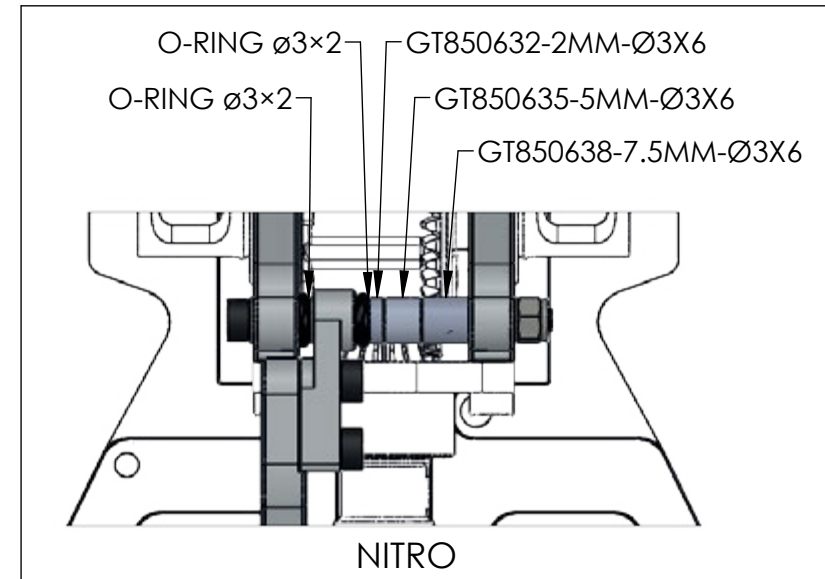
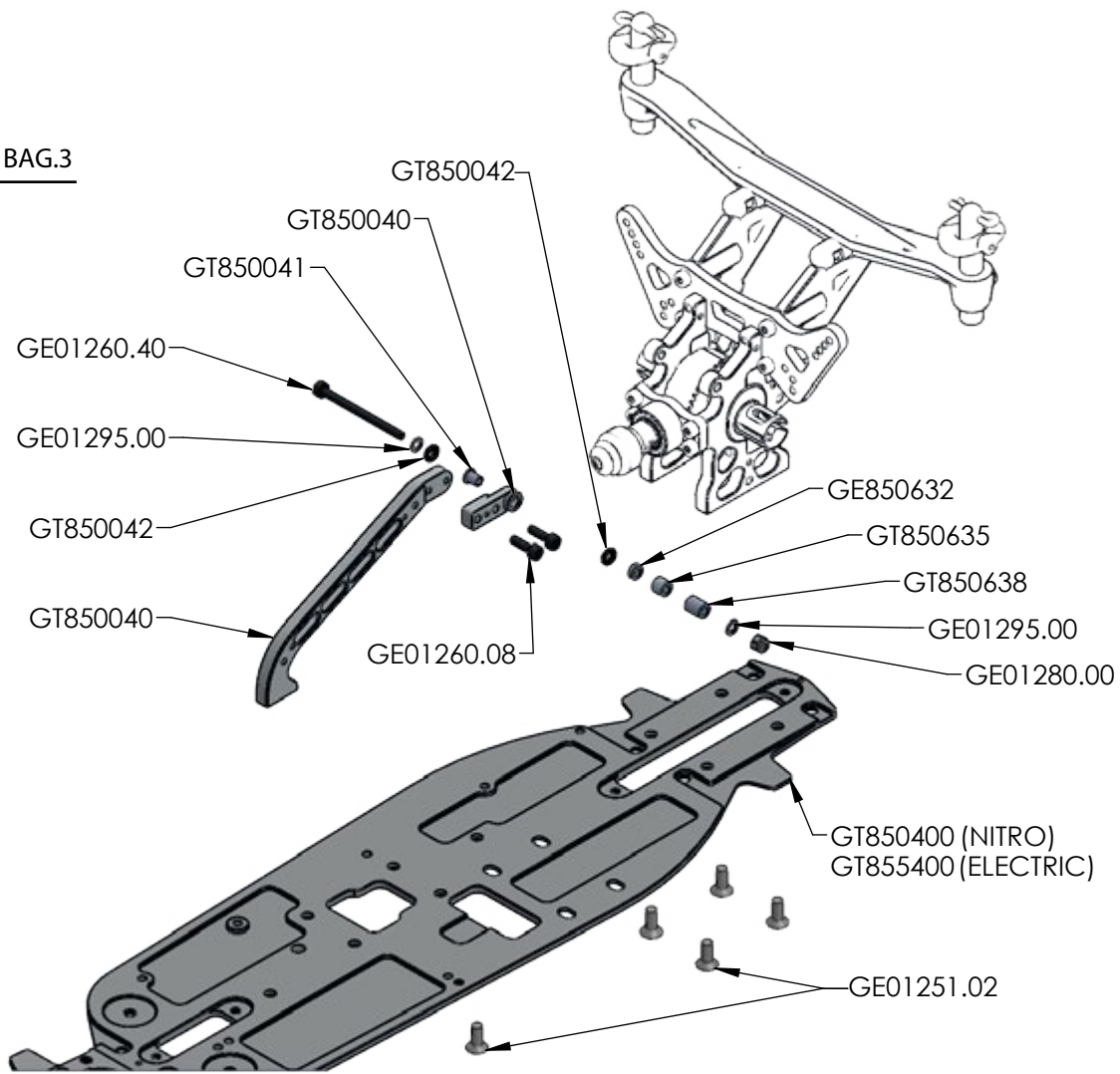
 BAG.2 STEP B



-  GE01260.08  
M3X10
-  GE01260.14  
M3X16
-  GE01270.25  
M3X25
-  GE01285.32  
M3X5
-  GE01280.00  
M3 LOCK
-  GE00211.10  
2X10
-  GT851570
-  GE00211.10
-  GE00211.10

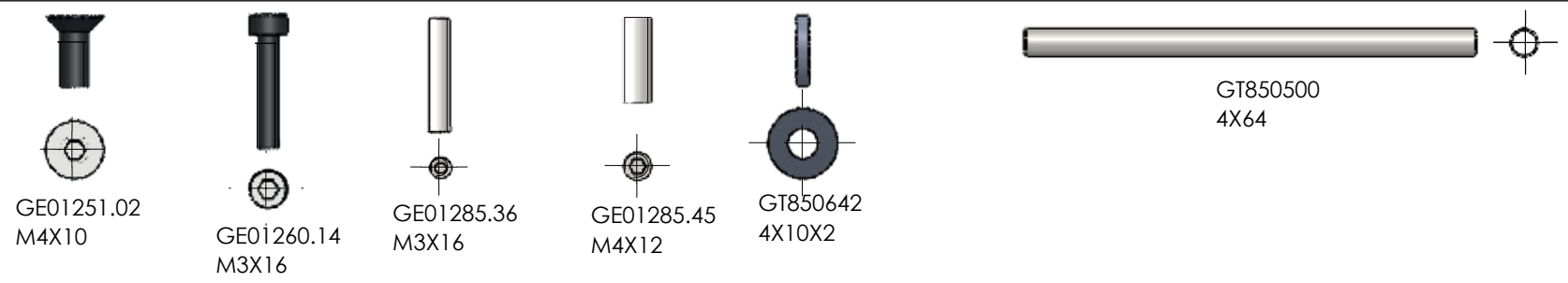
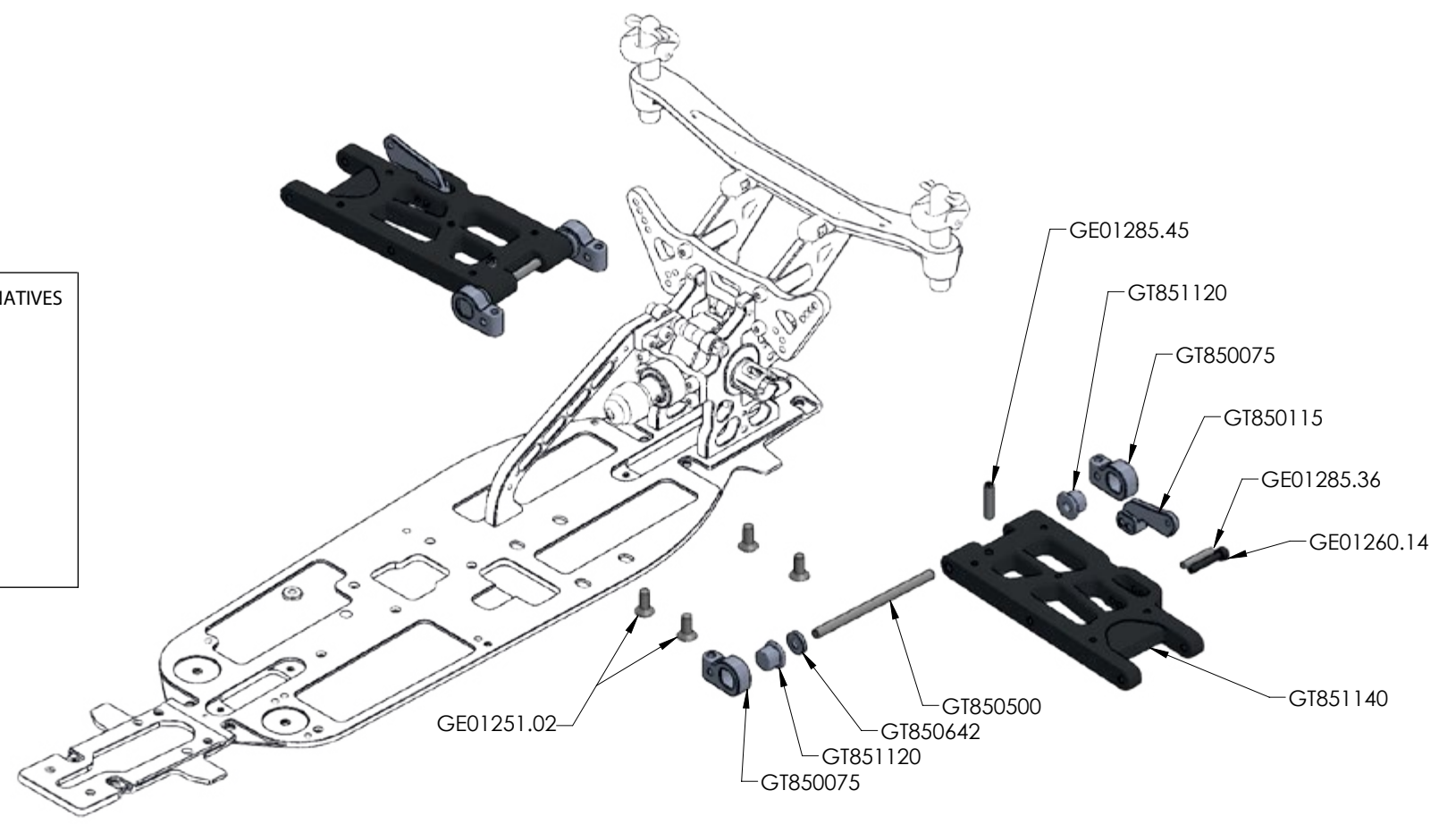
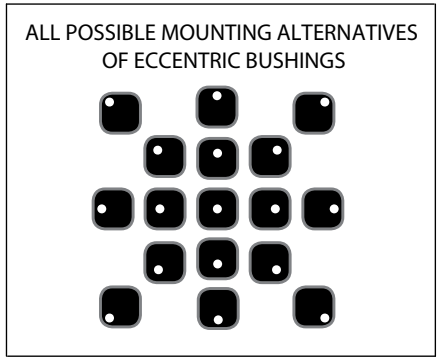
# 8. REAR REINFORCEMENT BRACE

BAG.3

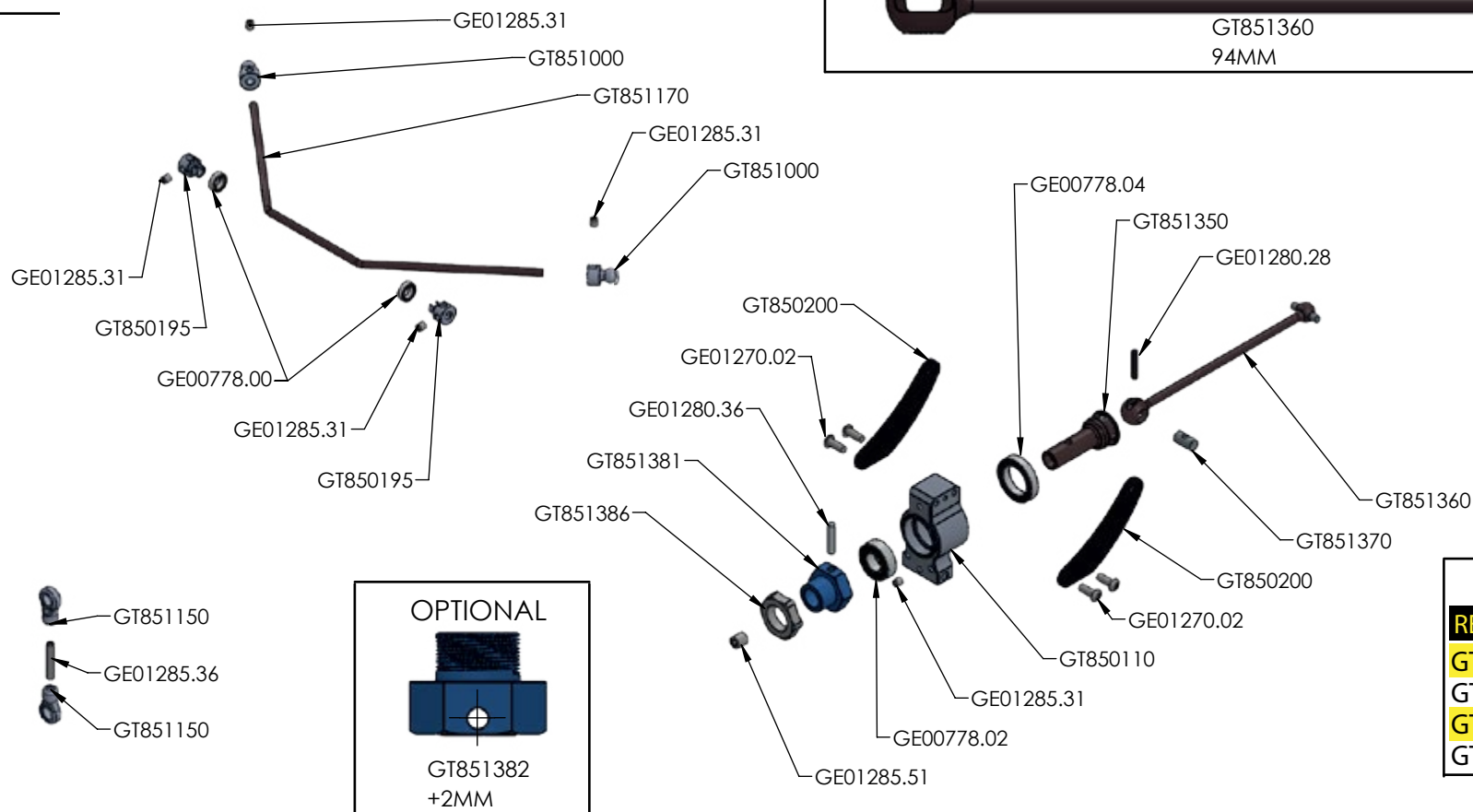


- |                     |                     |                       |                    |                   |                   |                   |                     |                       |                     |
|---------------------|---------------------|-----------------------|--------------------|-------------------|-------------------|-------------------|---------------------|-----------------------|---------------------|
|                     |                     |                       |                    |                   |                   |                   |                     |                       |                     |
| GE01251.02<br>M4X10 | GE01260.08<br>M3X10 | GE01295.00<br>3X6X0.5 | GT850042<br>OR 3X2 | GT850041<br>3X4X5 | GE850632<br>3x6X2 | GT850635<br>3x6x5 | GT850638<br>3X6X7.5 | GE01280.00<br>M3 LOCK | GE01260.40<br>M3X40 |


 BAG.4



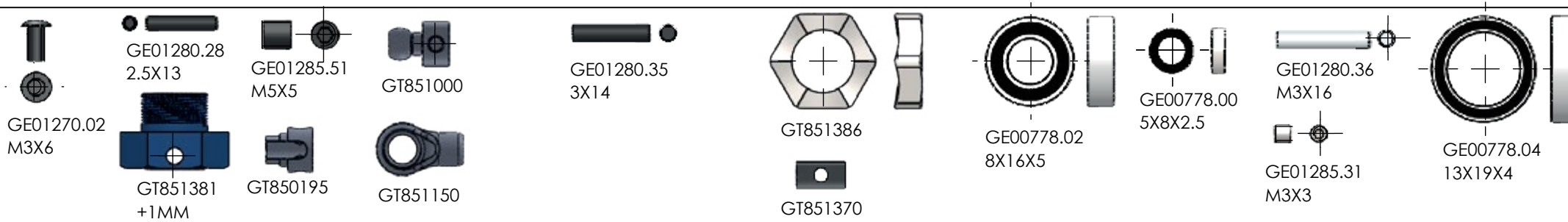
 BAG.5 STEP A



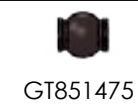
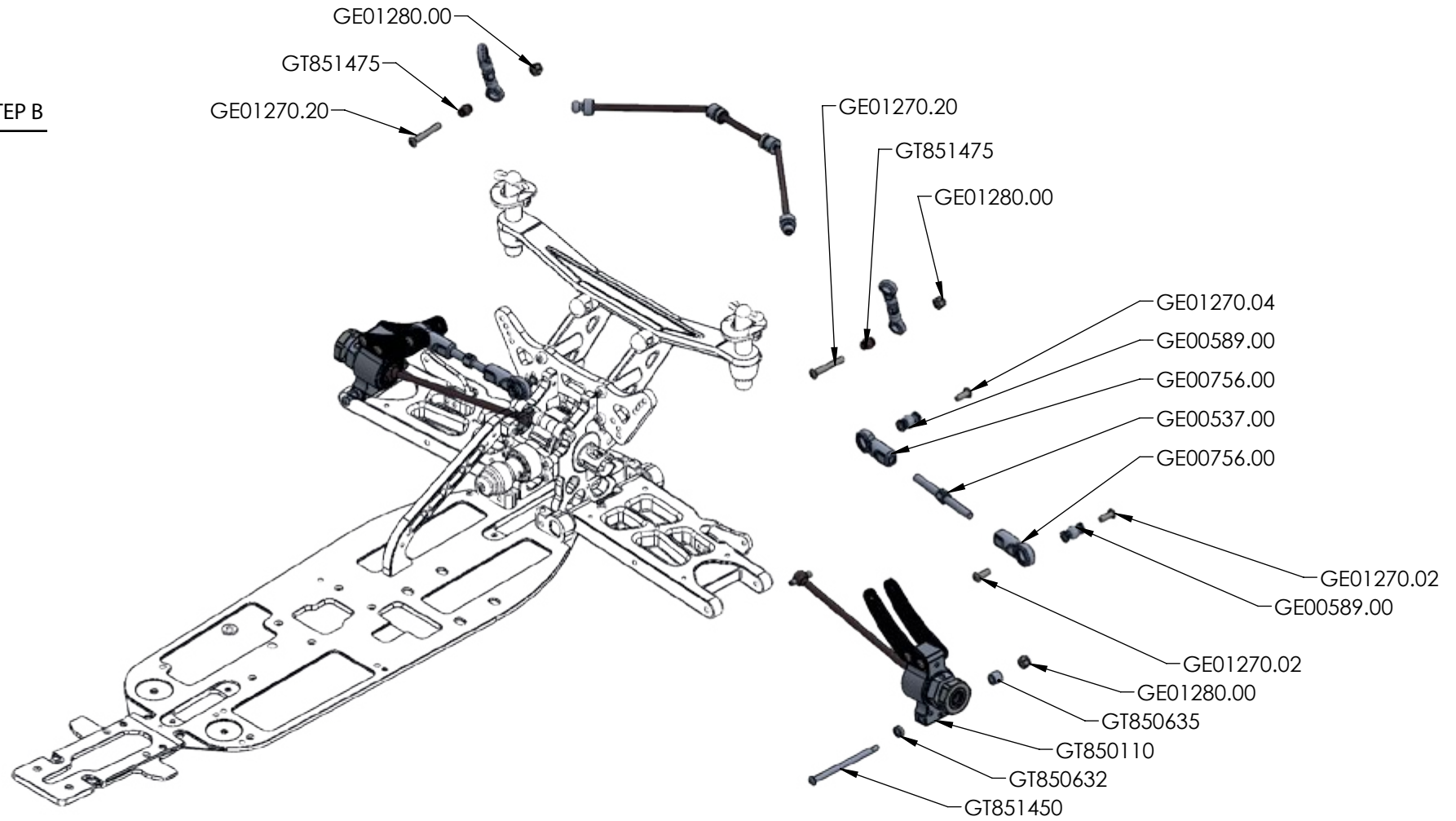
OPTIONAL  
  
 GT850205  
 M3-20MM

OPTIONAL  
  
 GT851382  
 +2MM

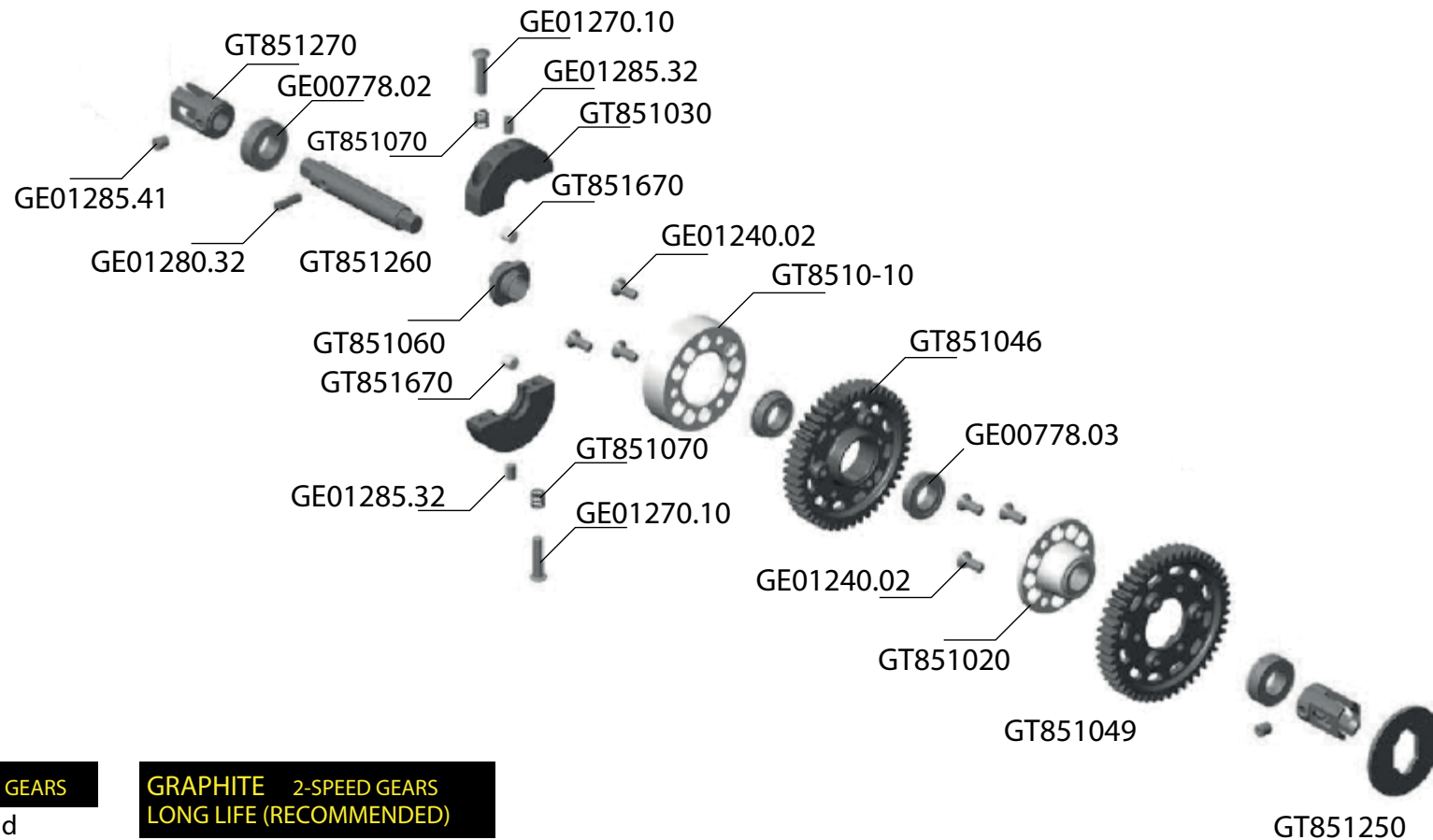
OPTIONAL  
**REAR ANTI-ROLL BAR**  
 GT851166 2,6 MM  
 GT851168 2,8 MM  
 GT851170 3,0 MM  
 GT851172 3,2 MM



 BAG.5 STEP B







**COMPOSITE 2-SPEED GEARS**

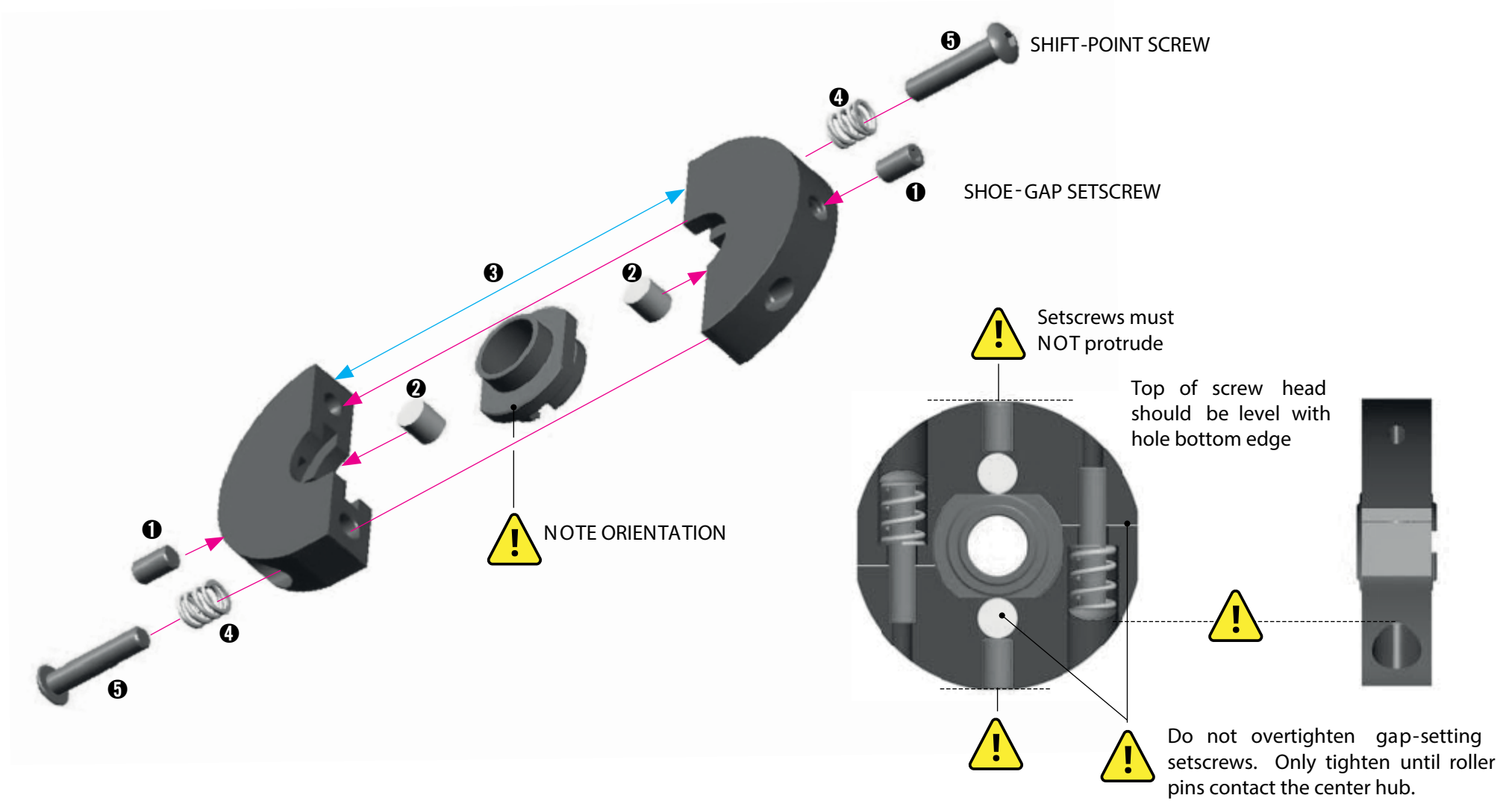
GT851045	45T	2nd
GT851046	46T	2nd
GT851047	47T	2nd
GT851048	48T	1st
GT851049	49T	1st
GT851050	50T	1st

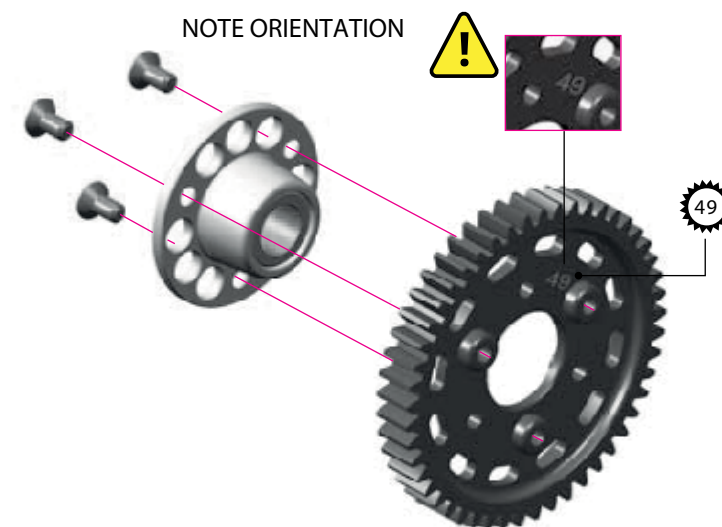
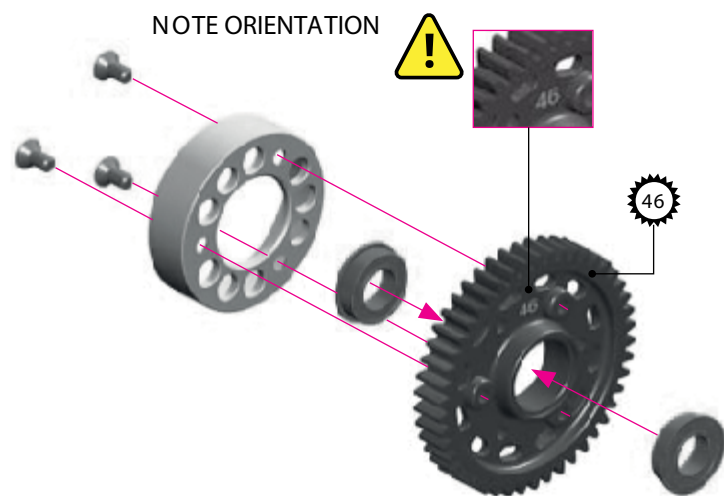
**GRAPHITE 2-SPEED GEARS  
LONG LIFE (RECOMMENDED)**

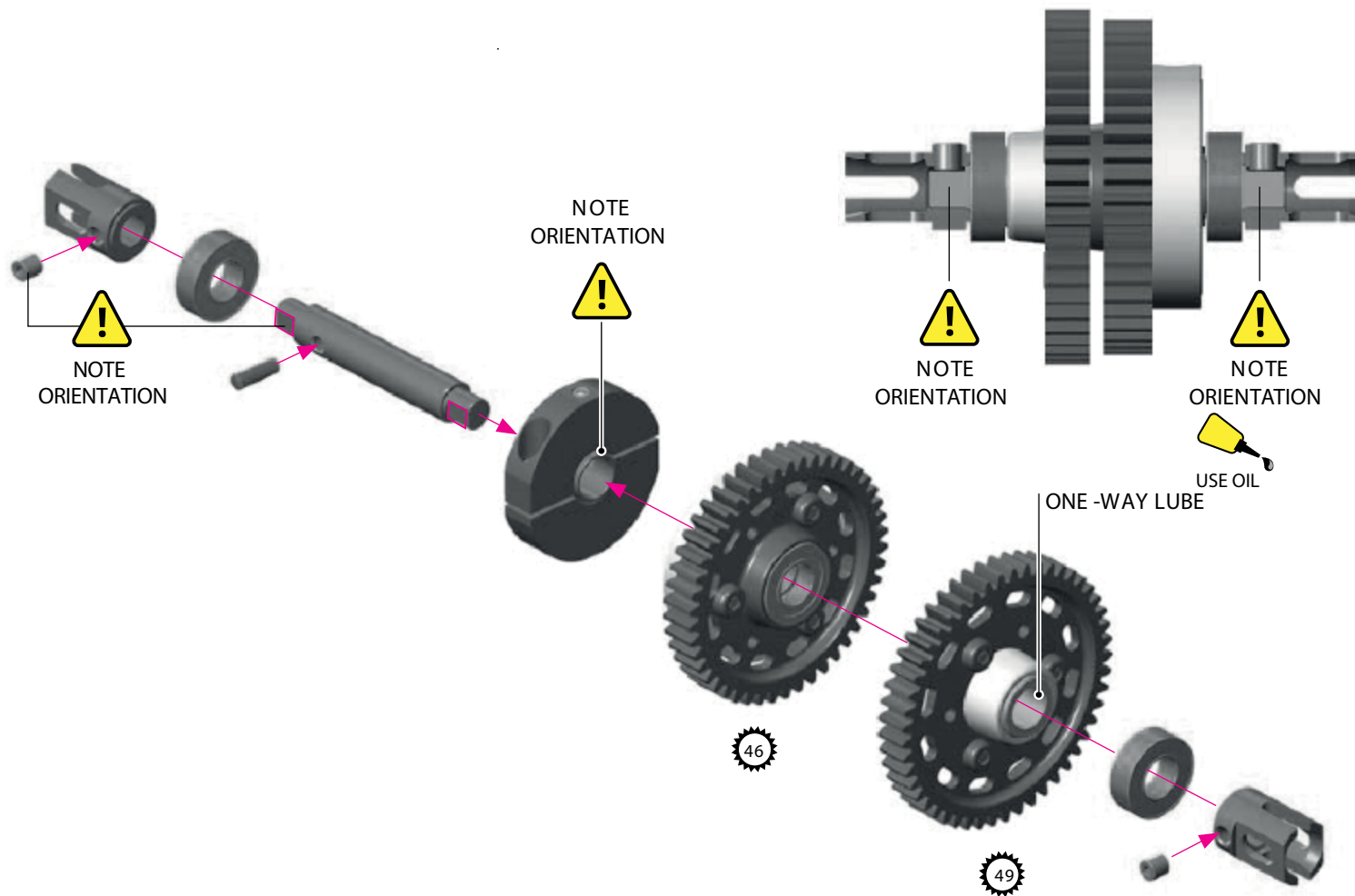
GT851945	45T	2nd
GT851946	46T	2nd
GT851947	47T	2nd
GT851948	48T	1st
GT851949	49T	1st
GT851950	50T	1st

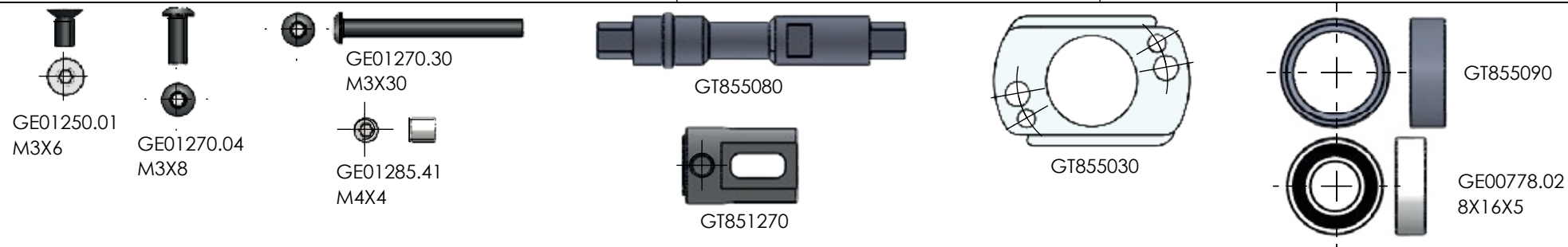
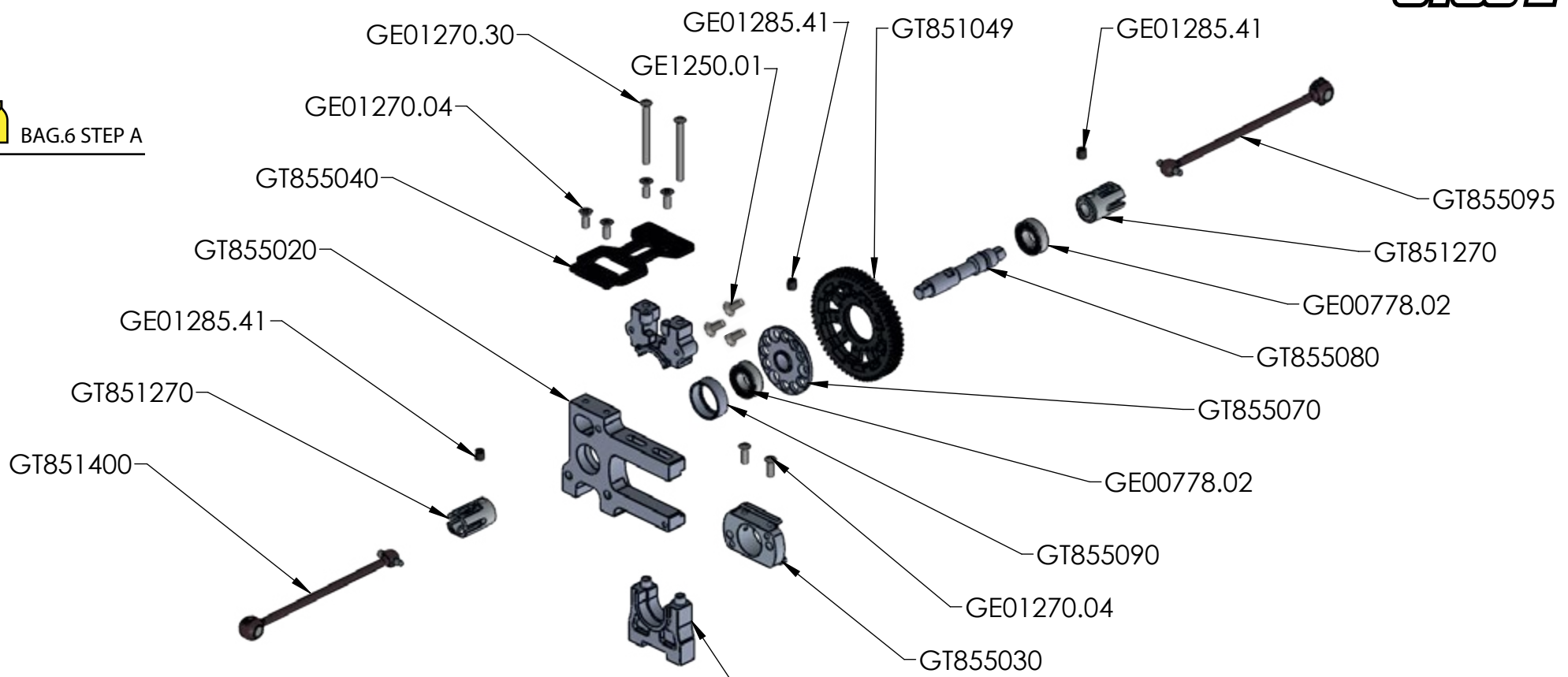
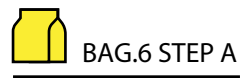


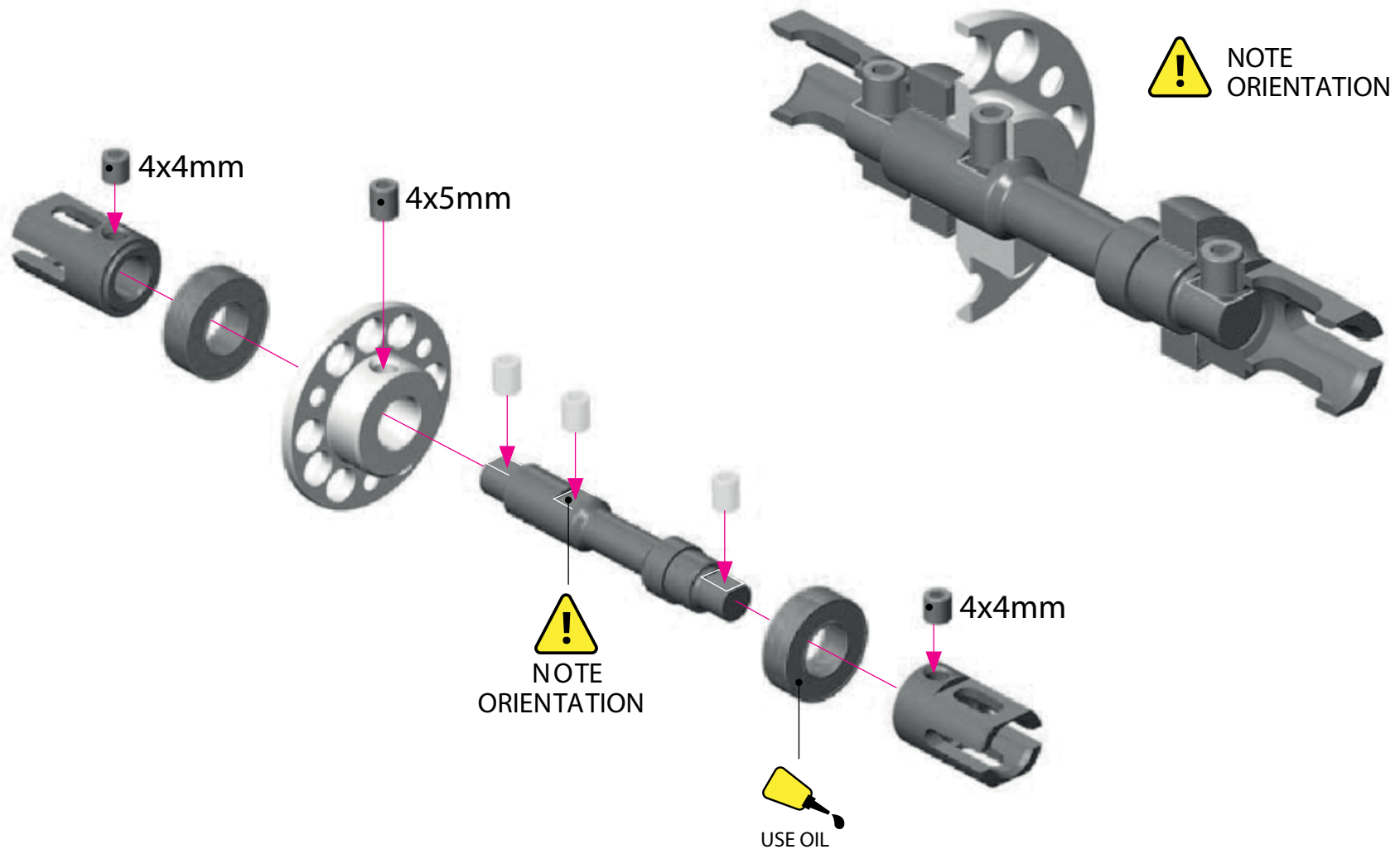


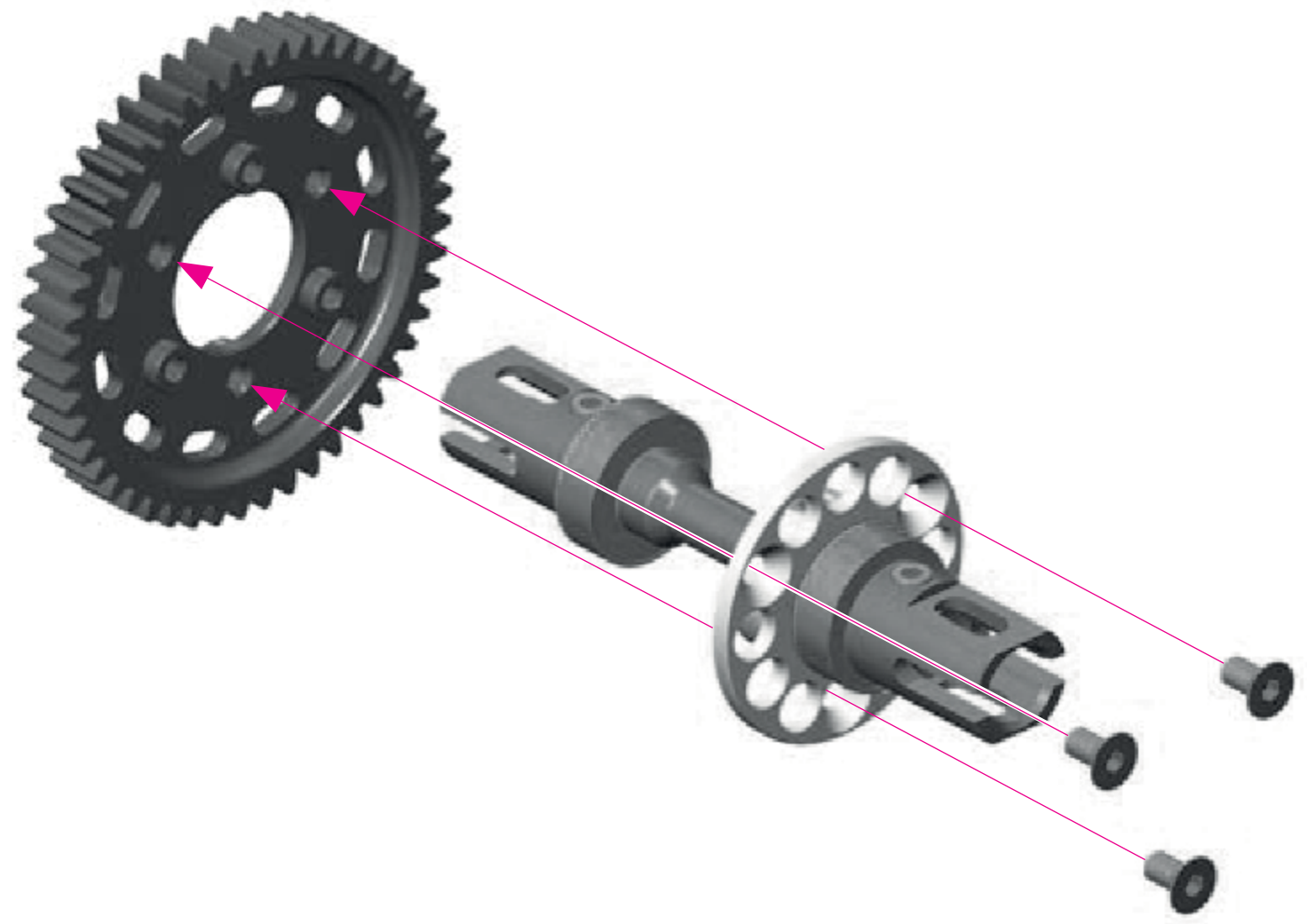




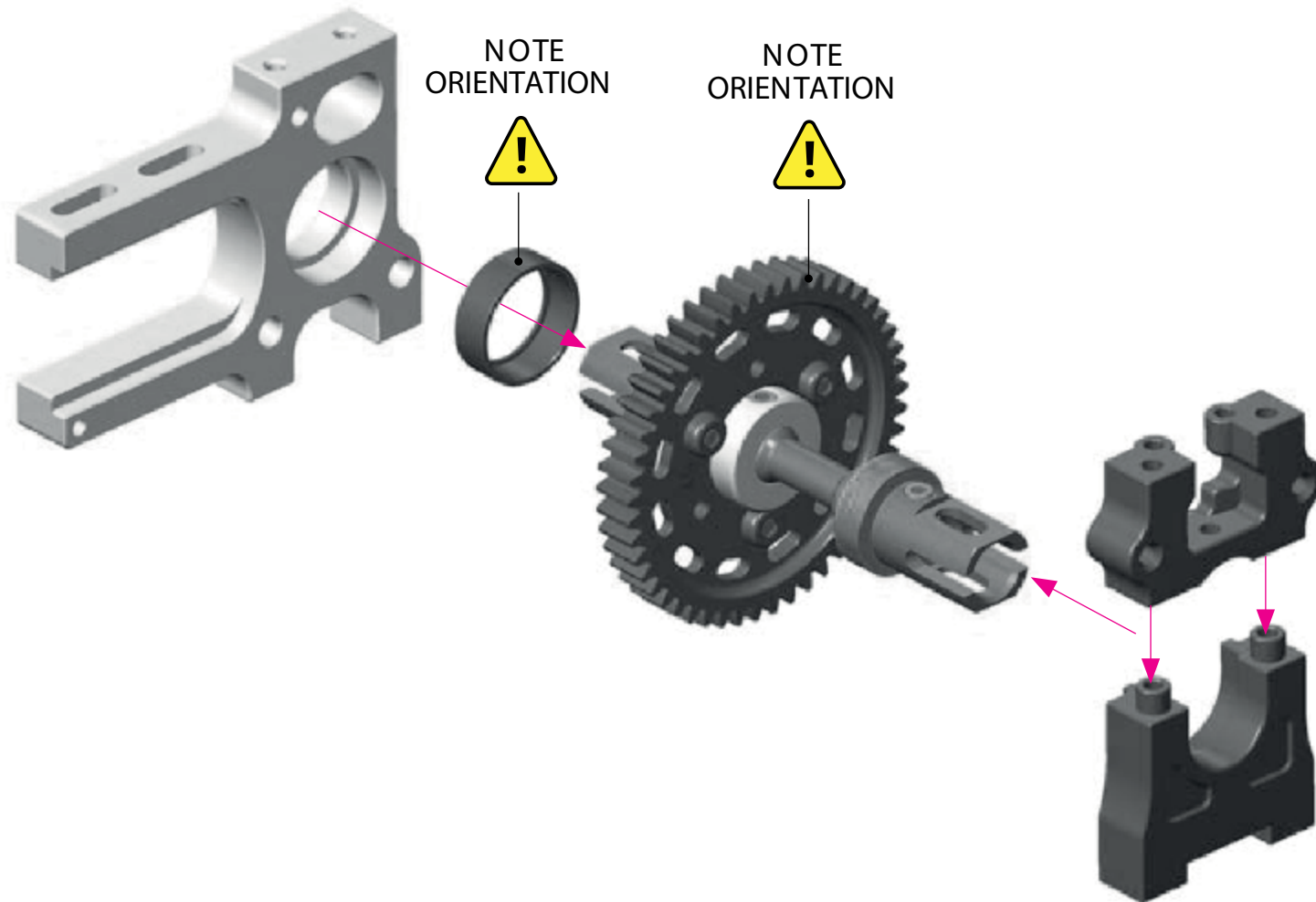


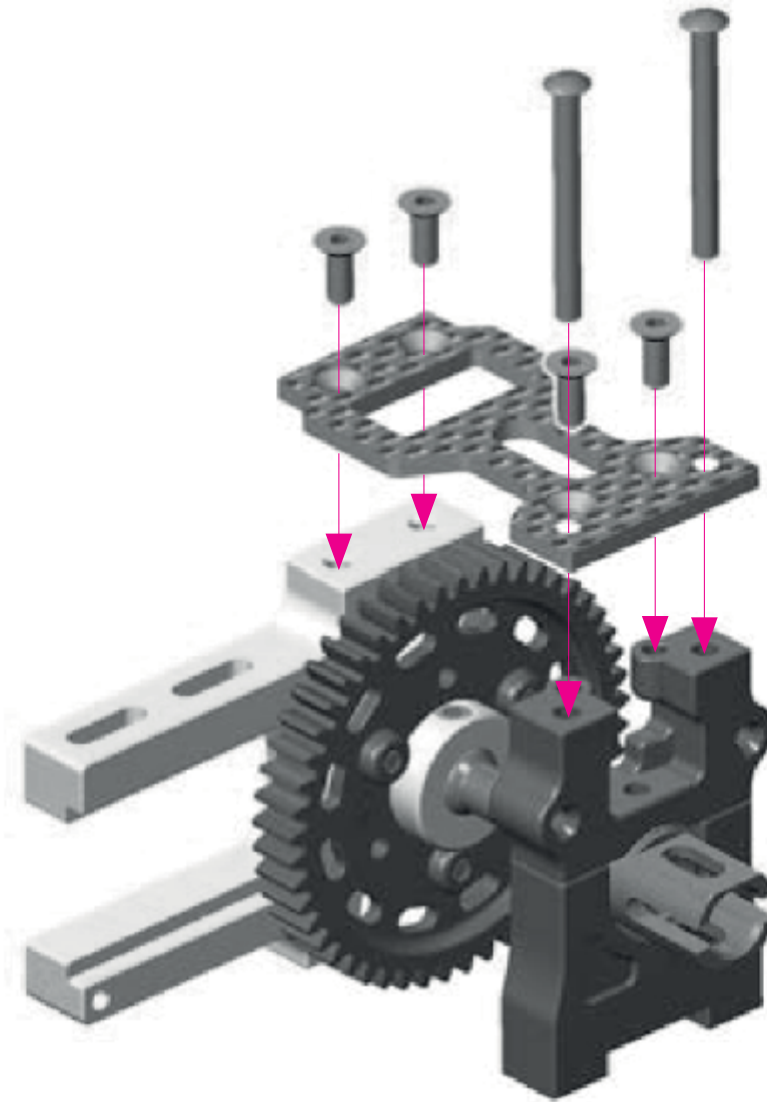


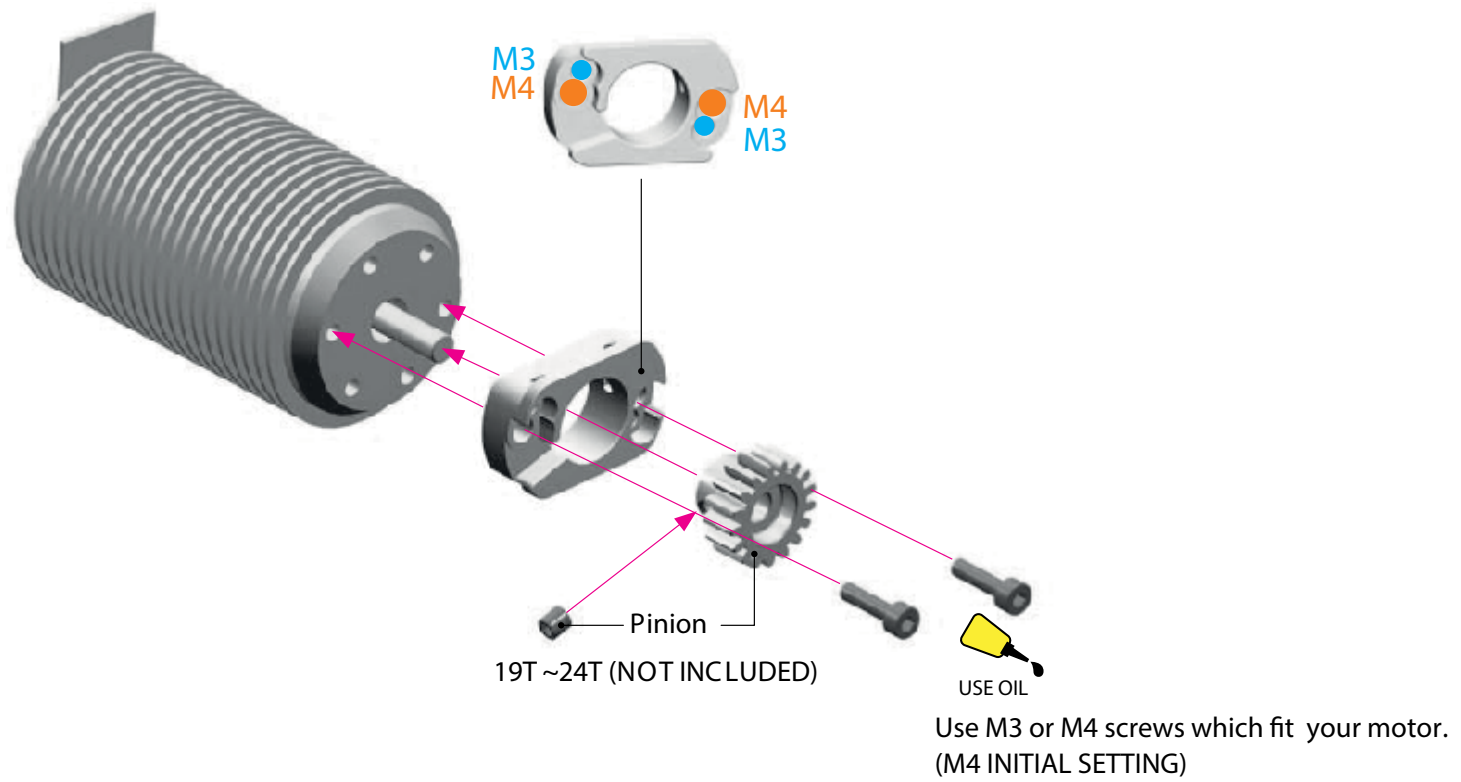




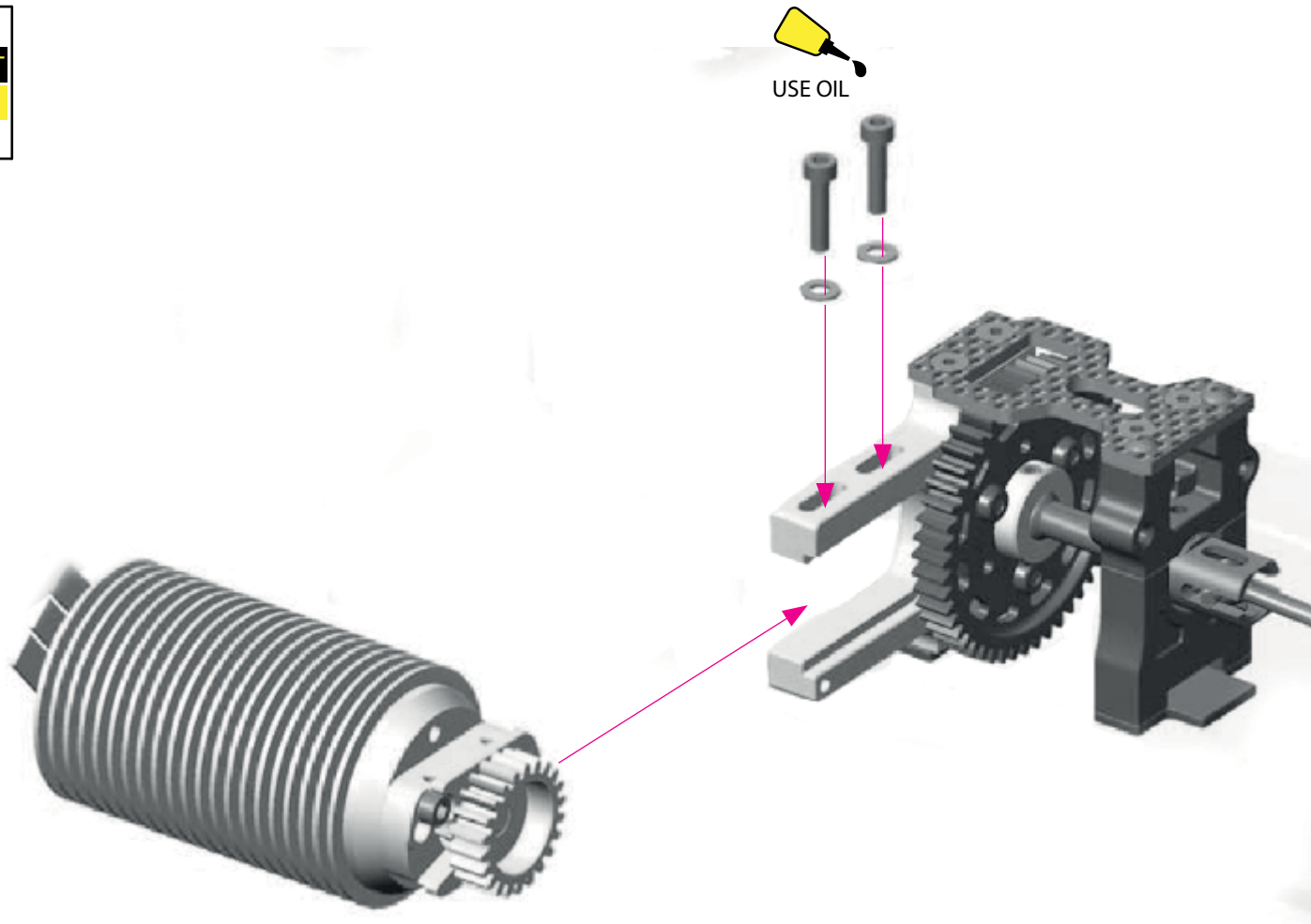





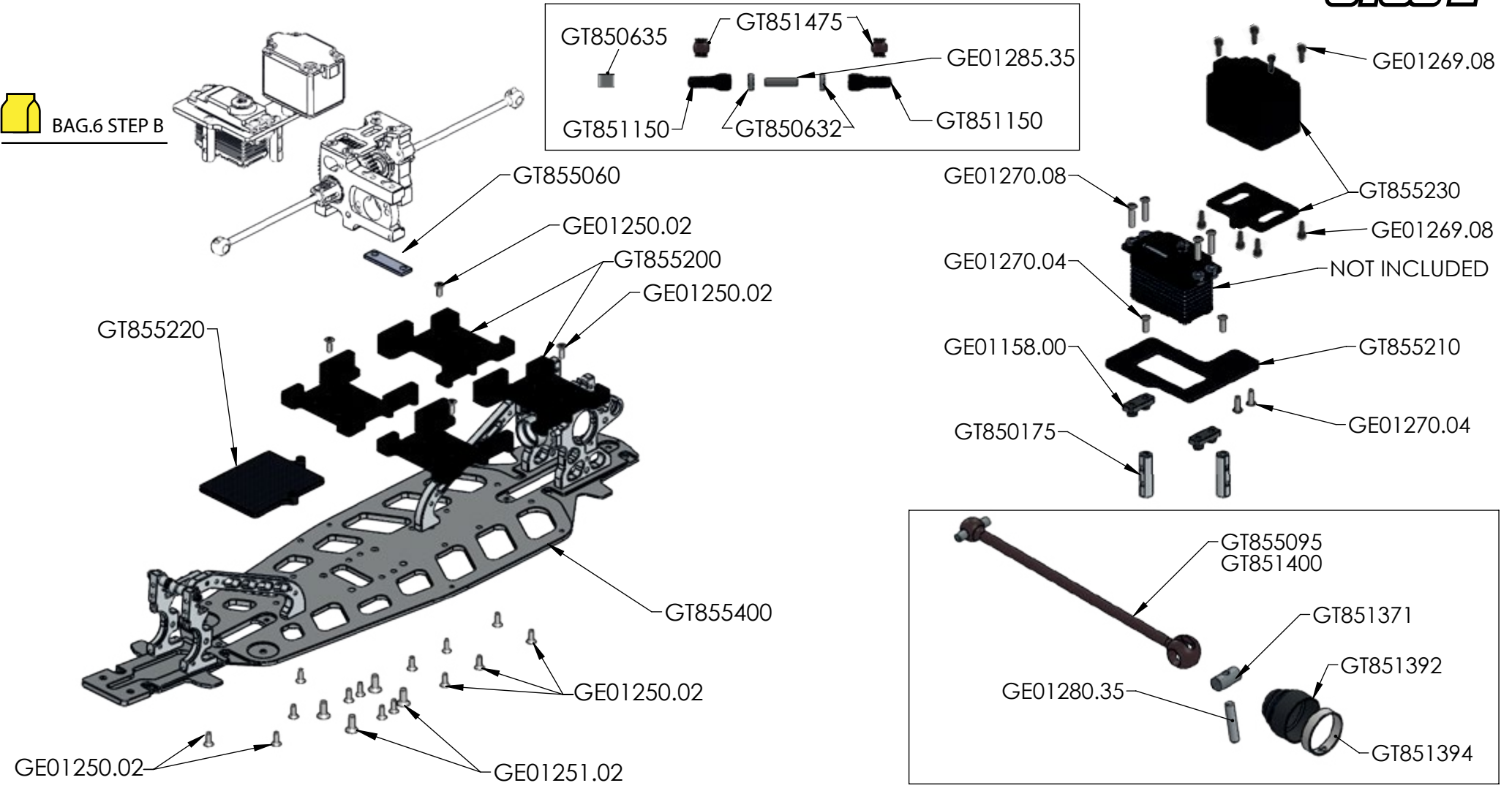
















OPTIONAL	
<b>COOLING FAN SUPPORT</b>	
SINGLE	GT859010
DOUBLE	GT859015

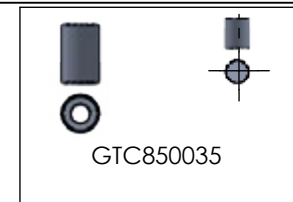
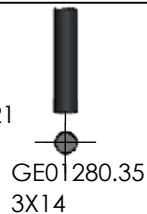
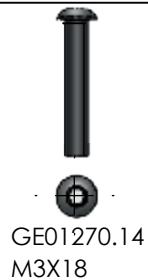
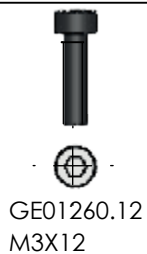
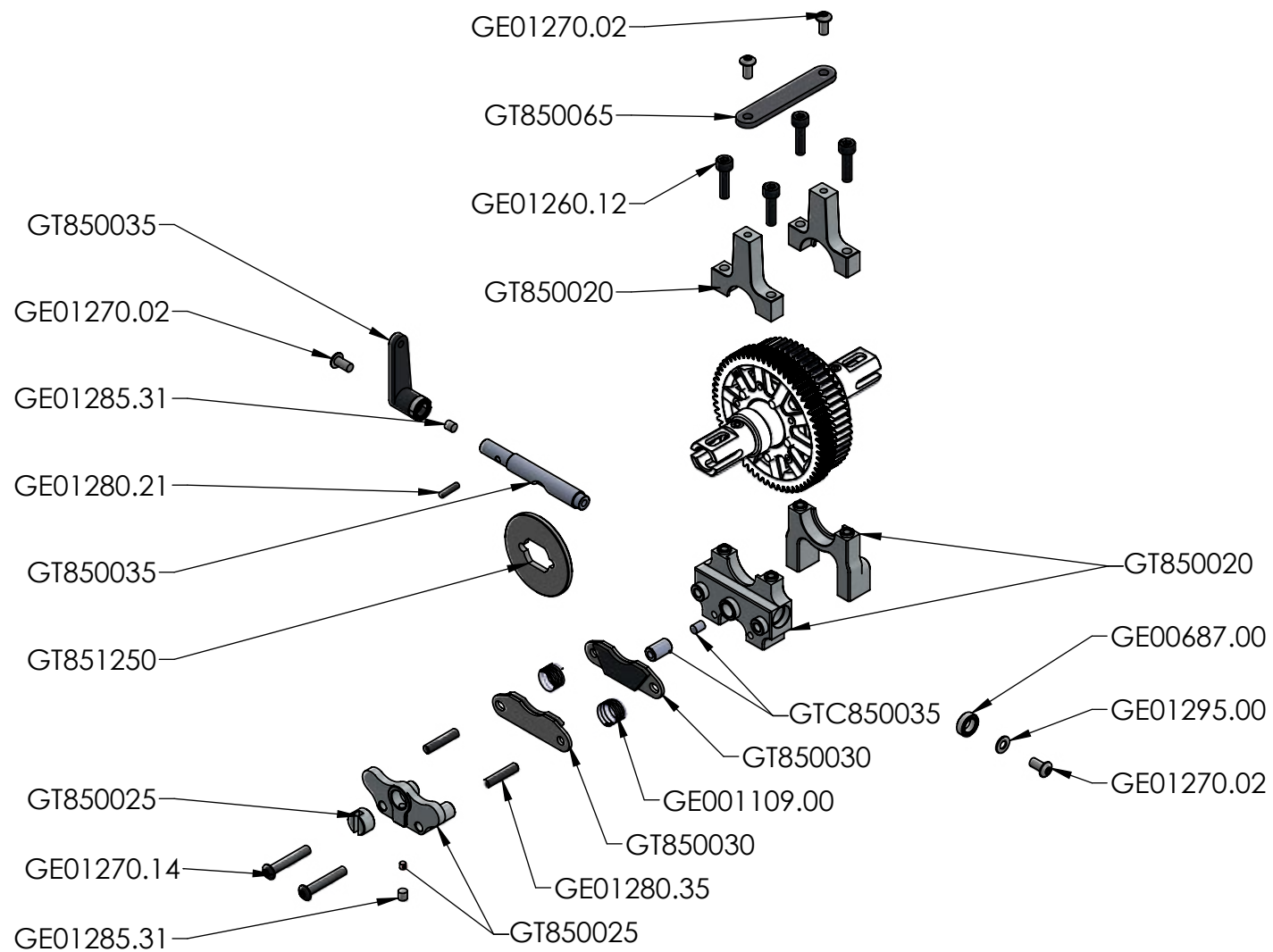


 BAG.6 STEP B



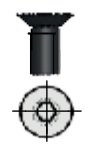
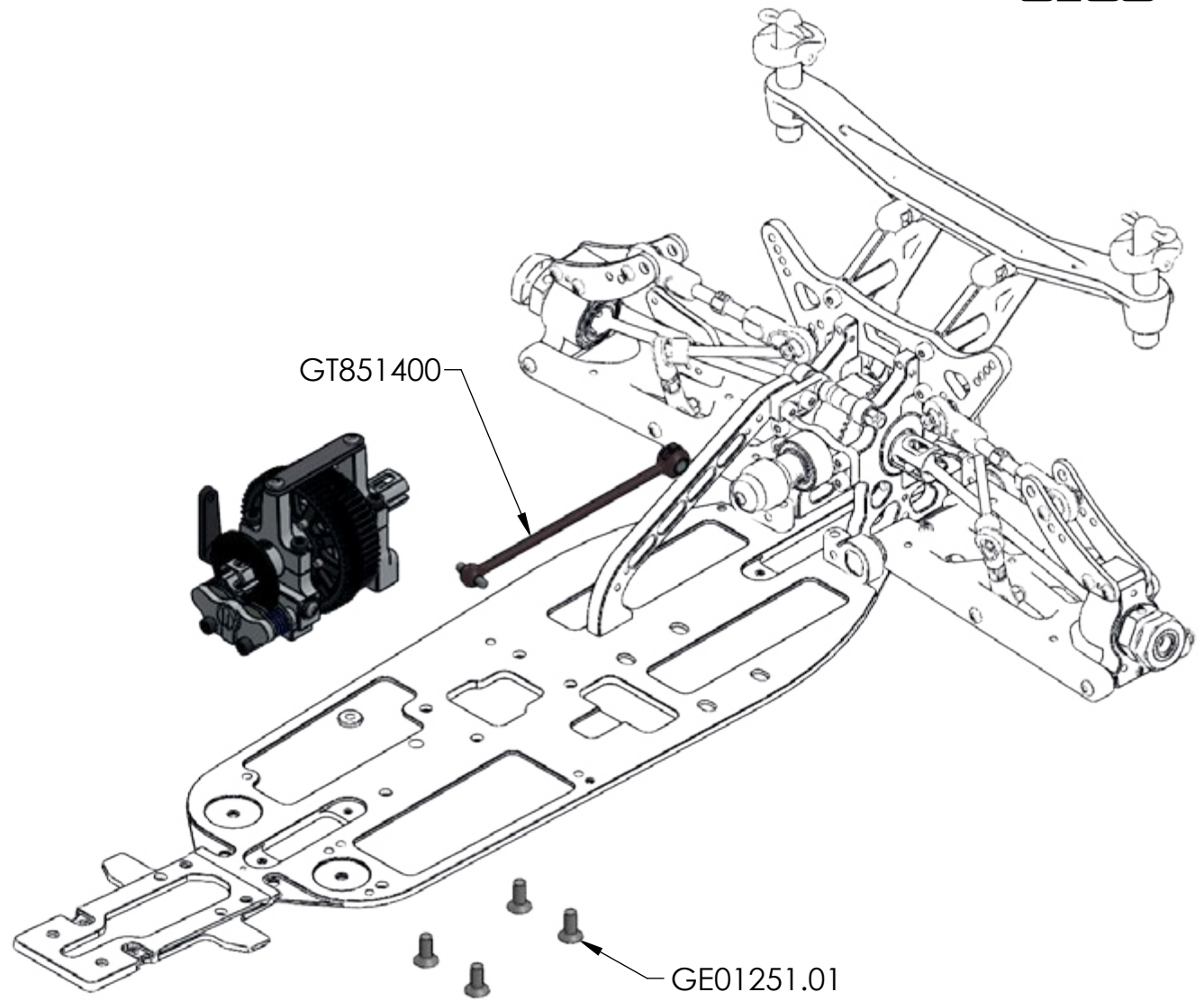
- |  |   |   |   |   |   |  |   |   |   |   |   |
|--|---|---|---|---|---|--|---|---|---|---|---|
|  |  |  |  |  |  |  |  |  |  |  |  |
| GE01250.02<br>M3X8   | GE01251.02<br>M4X10   | GE01270.04<br>M3X8  | GE01270.08<br>M3X12   | GE01269.08<br>M2.5X8  | GT850175  | GT855060<br>GT851150   | GT850635<br>3x6x5   | GE00158.00<br>GT851475  | GT851392<br>GT850632<br>3X6X2   | GT851394<br>GE01285.35<br>M3X12   | GT851371<br>GE01280.35<br>3X14  |

 BAG.7 STEP A

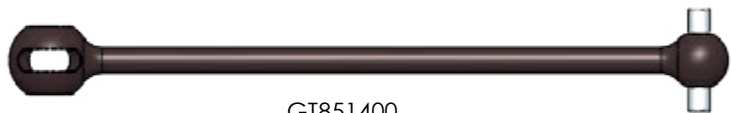




 BAG.7 STEP B



GE01251.01  
M4X8



GT851400  
86MM



GT851392



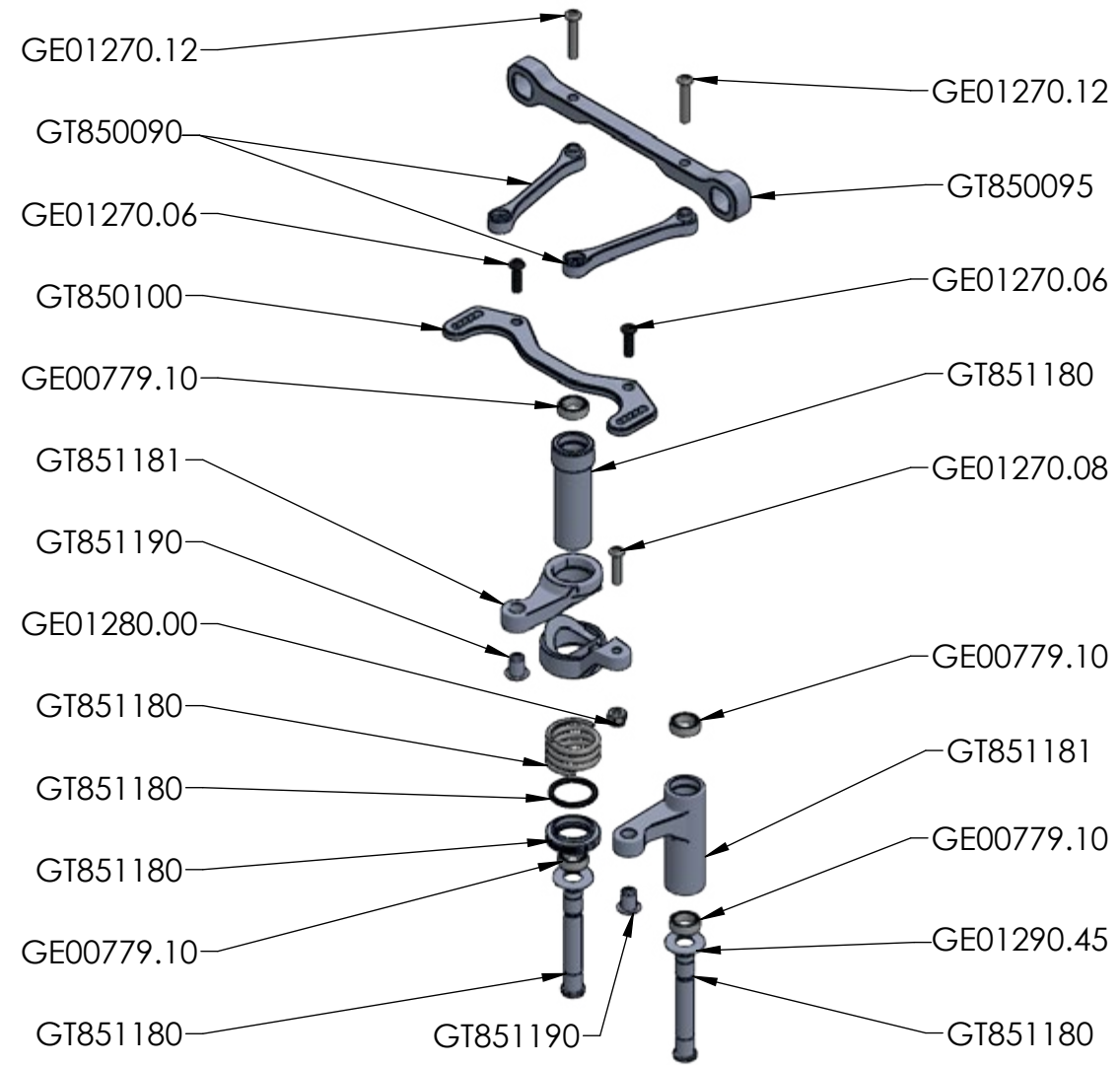
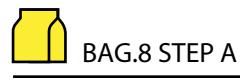
GT851394

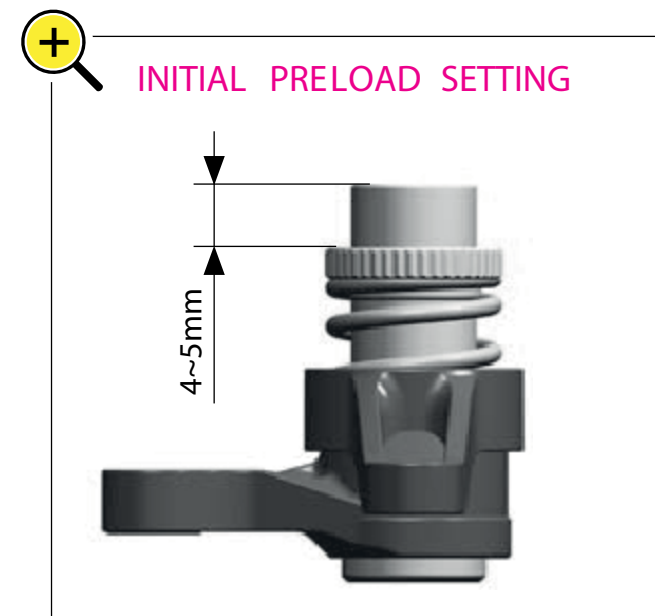
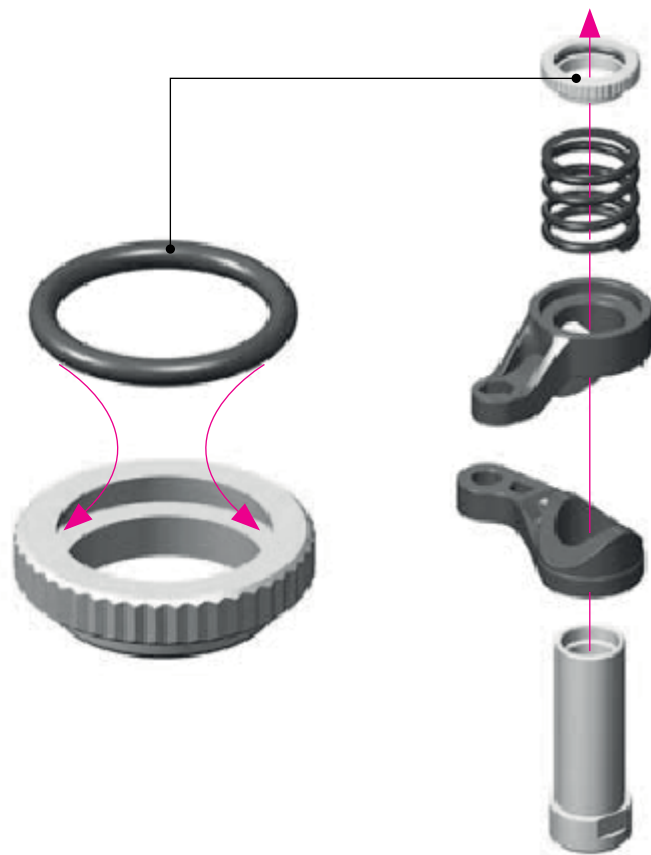



GT851371

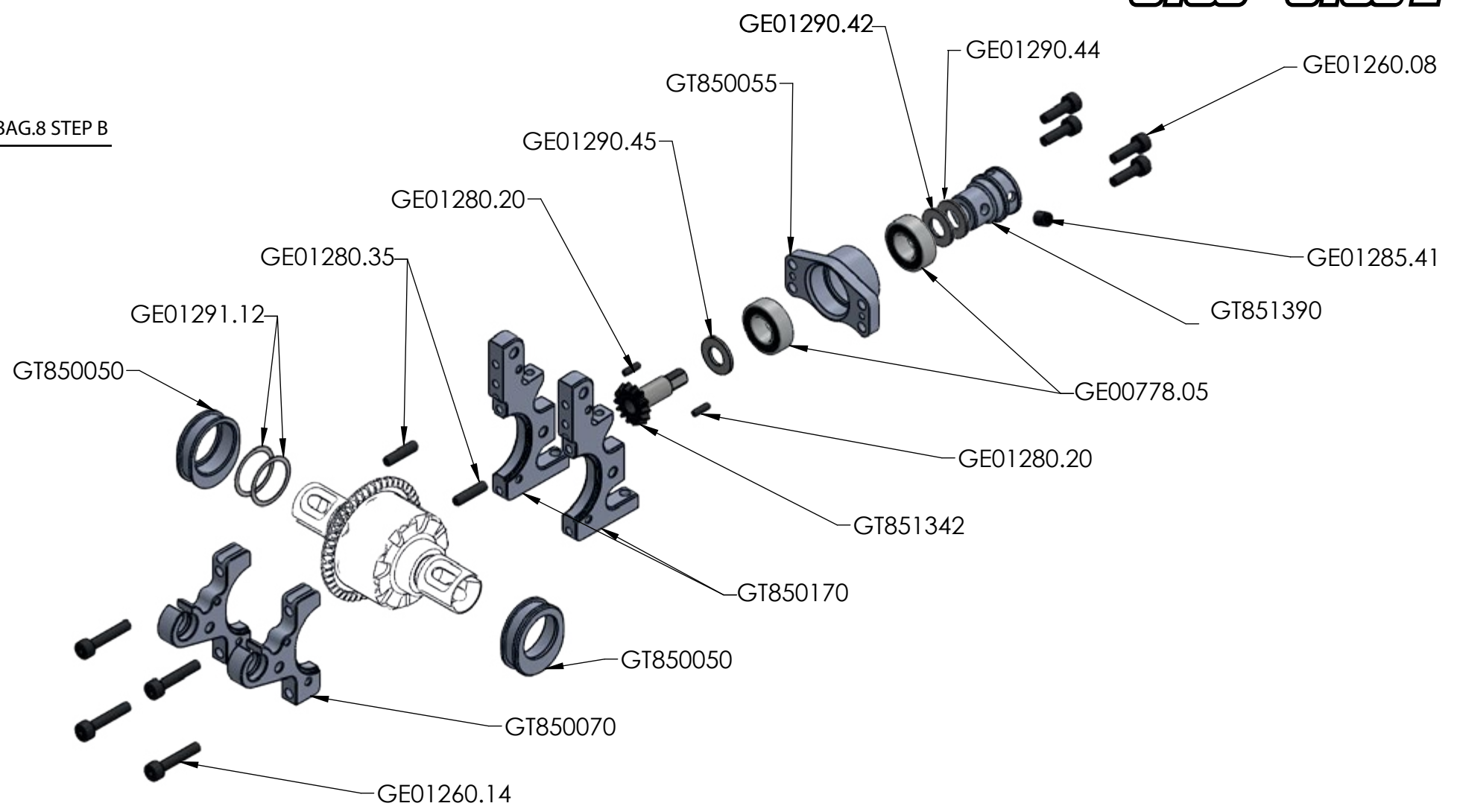





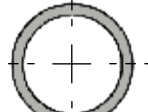
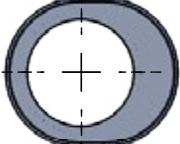
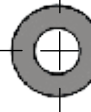
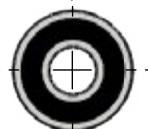
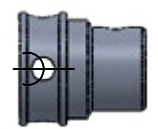
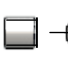
GE01280.35  
3X14




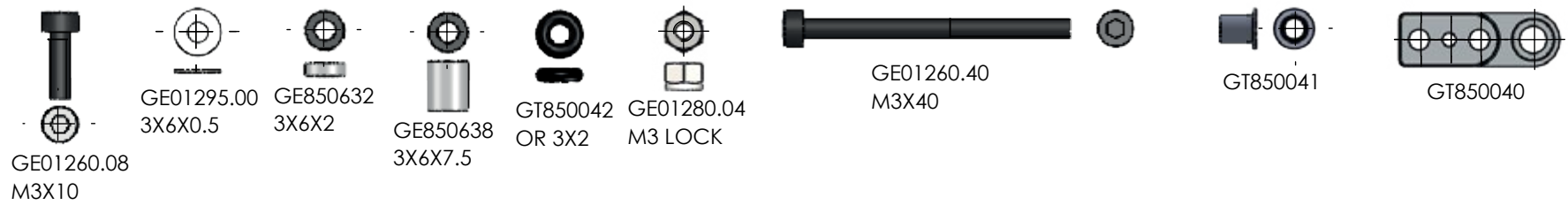
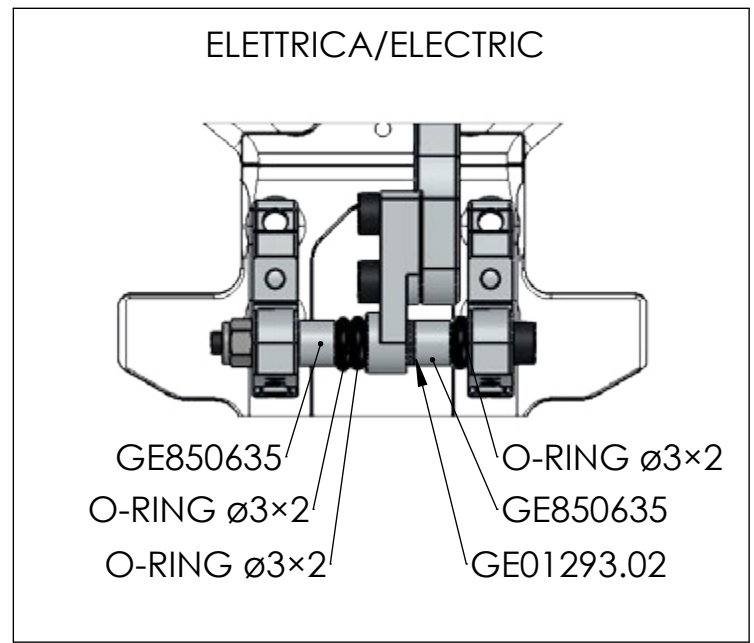
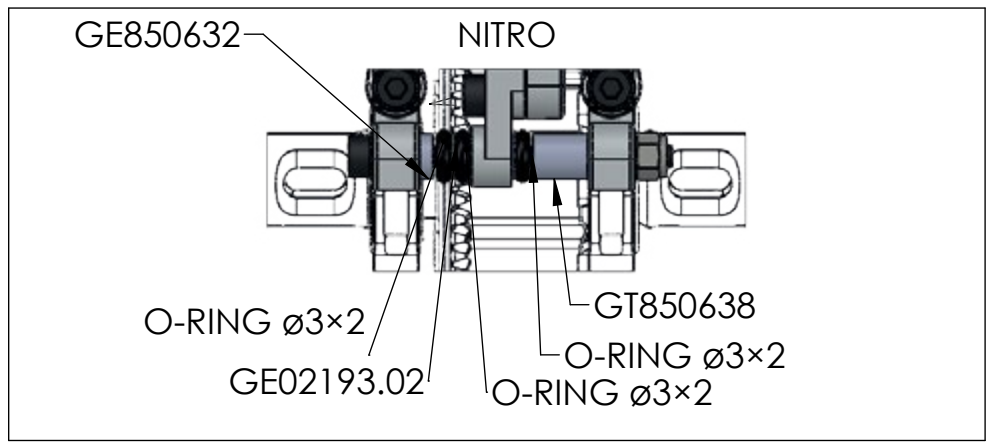
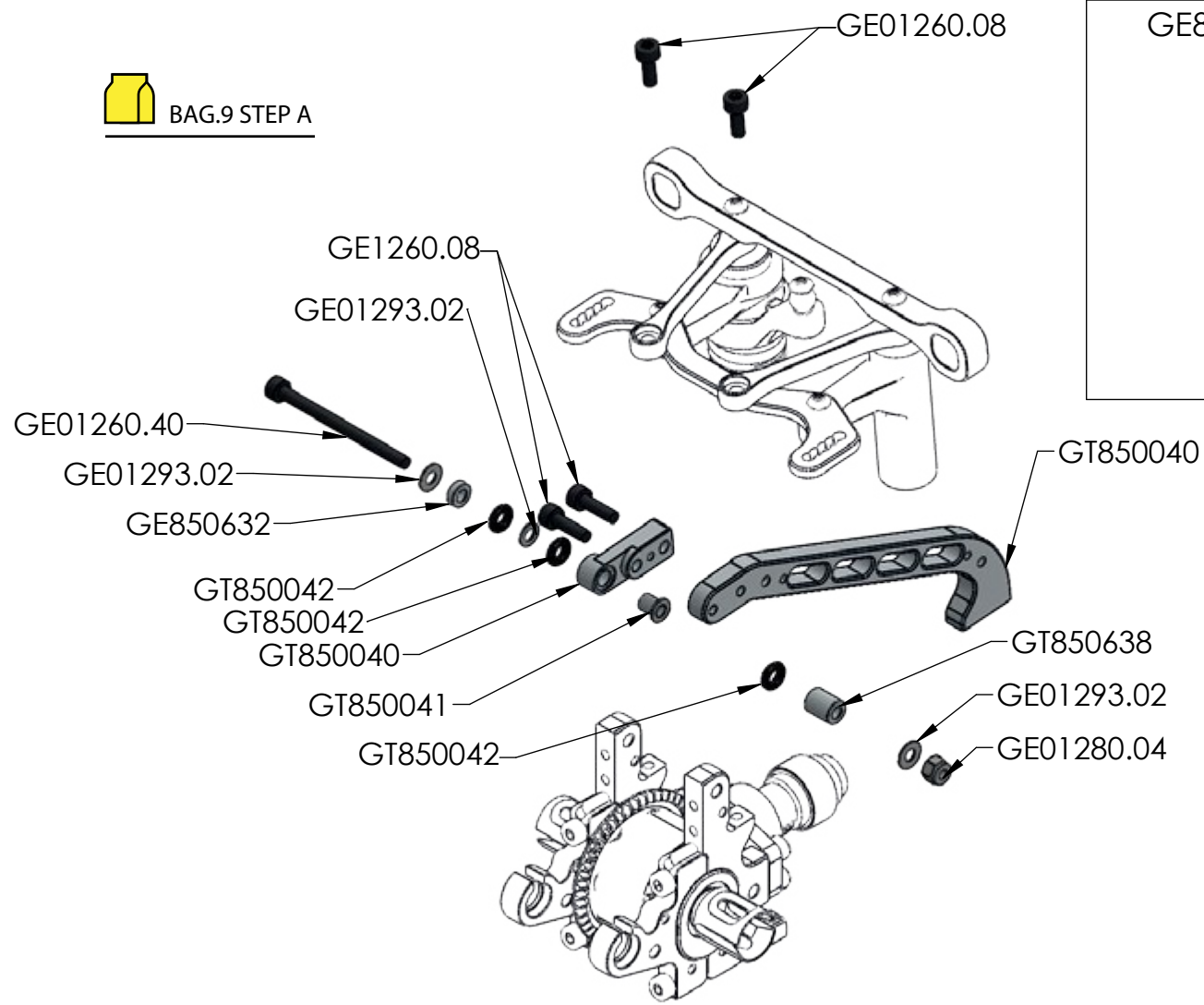


 BAG.8 STEP B




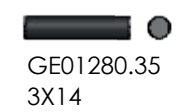
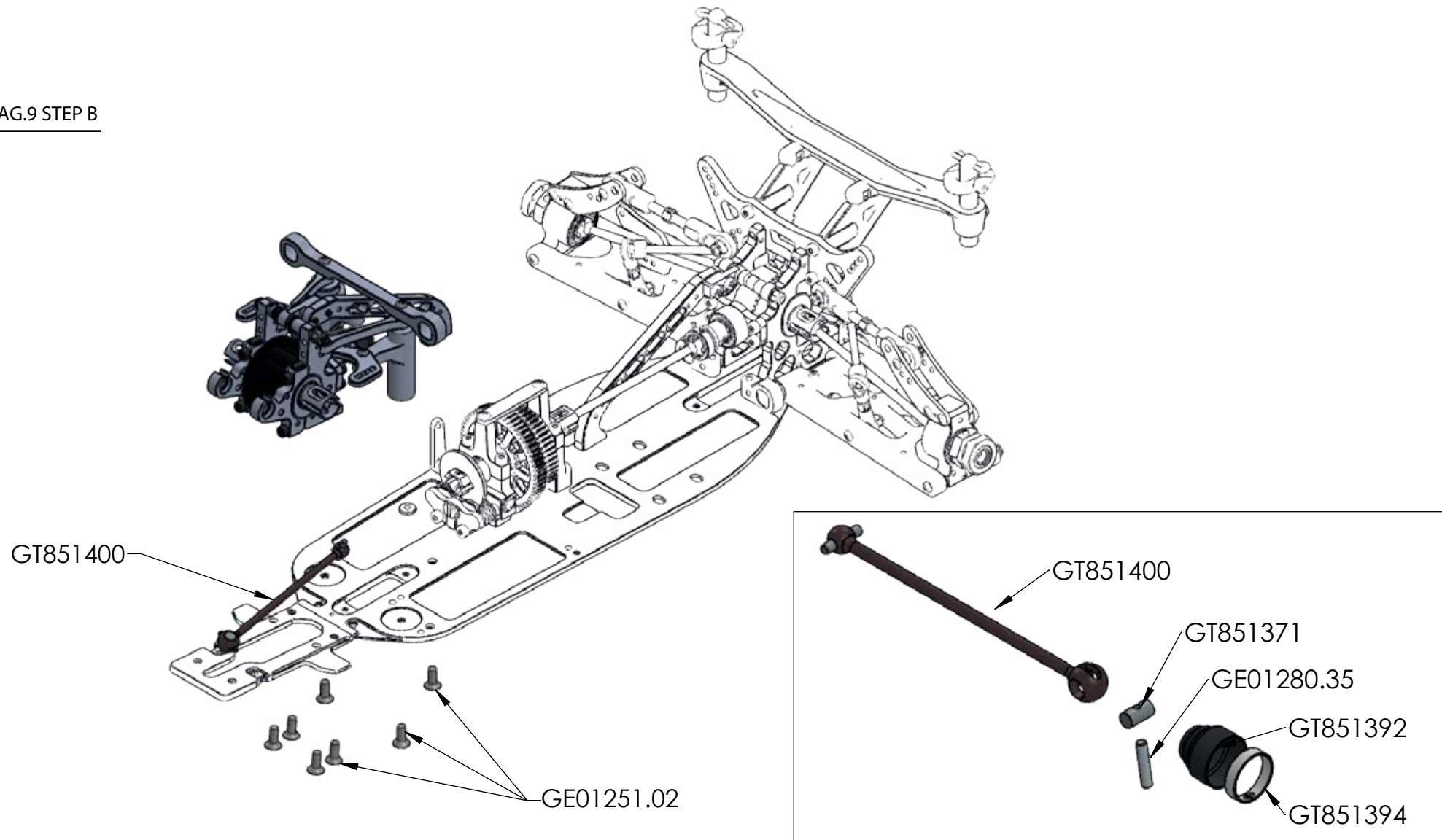
					
GE01260.08 M3X10	GE01260.14 M3X16	GE01280.20 2X6	GE01291.12 13X0.2	GT850050	GE01290.42 6X0.3
		GE01280.35 3X14			
		GE01290.45 6X1	GE00778.05 6X16X5	GT851390	GE01285.41 M4X4

 BAG.9 STEP A





 BAG.9 STEP B

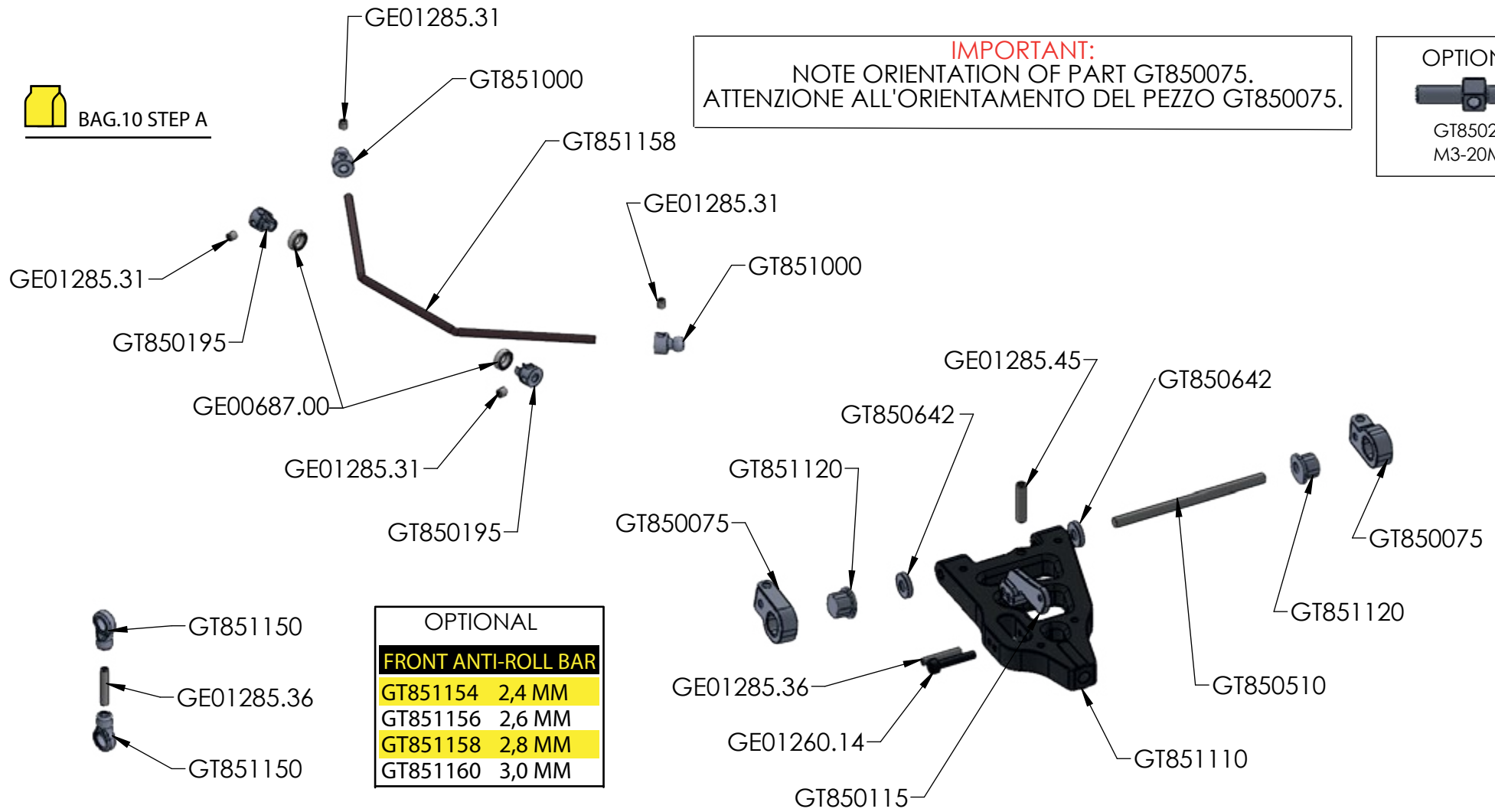






**IMPORTANT:**  
NOTE ORIENTATION OF PART GT850075.  
ATTENZIONE ALL'ORIENTAMENTO DEL PEZZO GT850075.

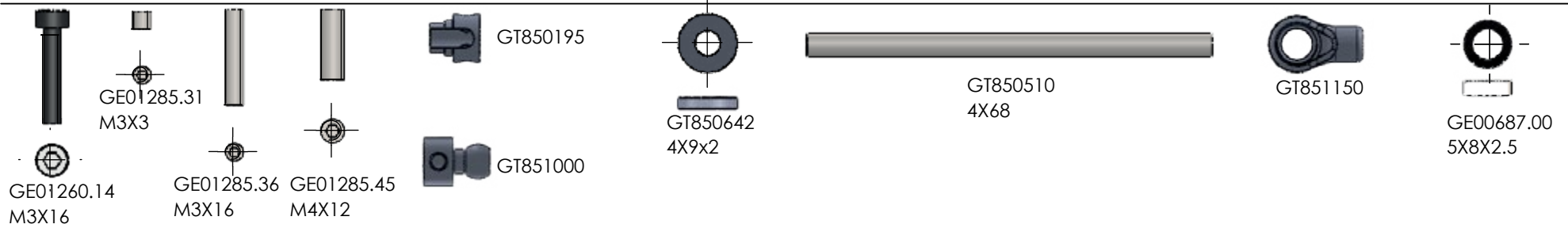
OPTIONAL  
  
GT850205  
M3-20MM



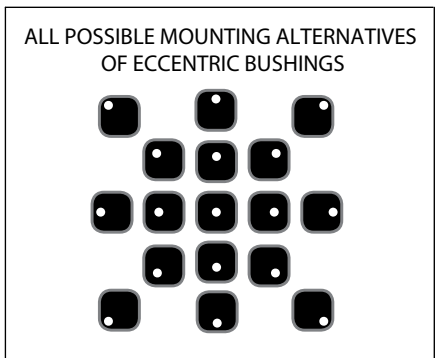
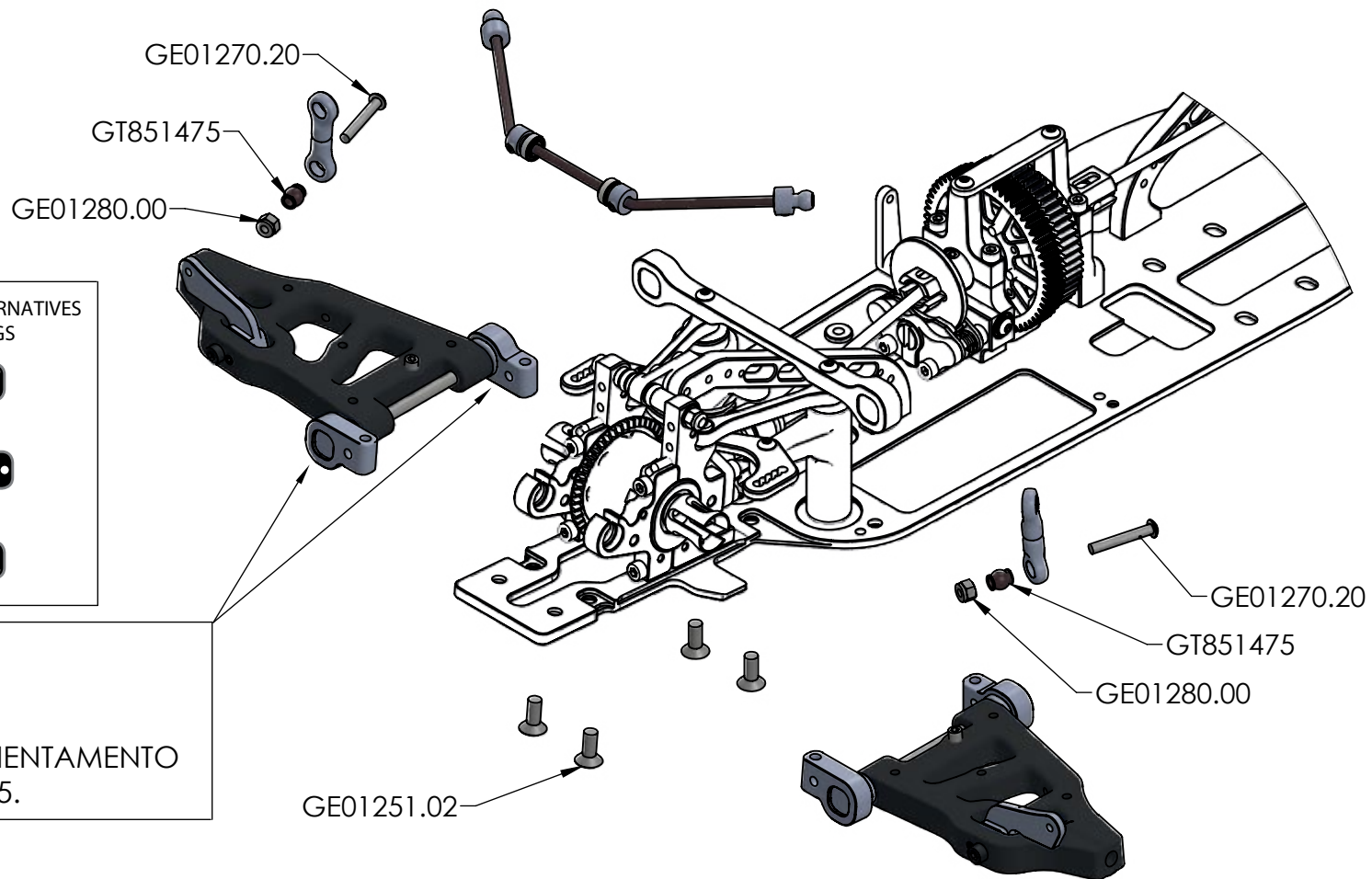
OPTIONAL

**FRONT ANTI-ROLL BAR**

GT851154	2,4 MM
GT851156	2,6 MM
GT851158	2,8 MM
GT851160	3,0 MM




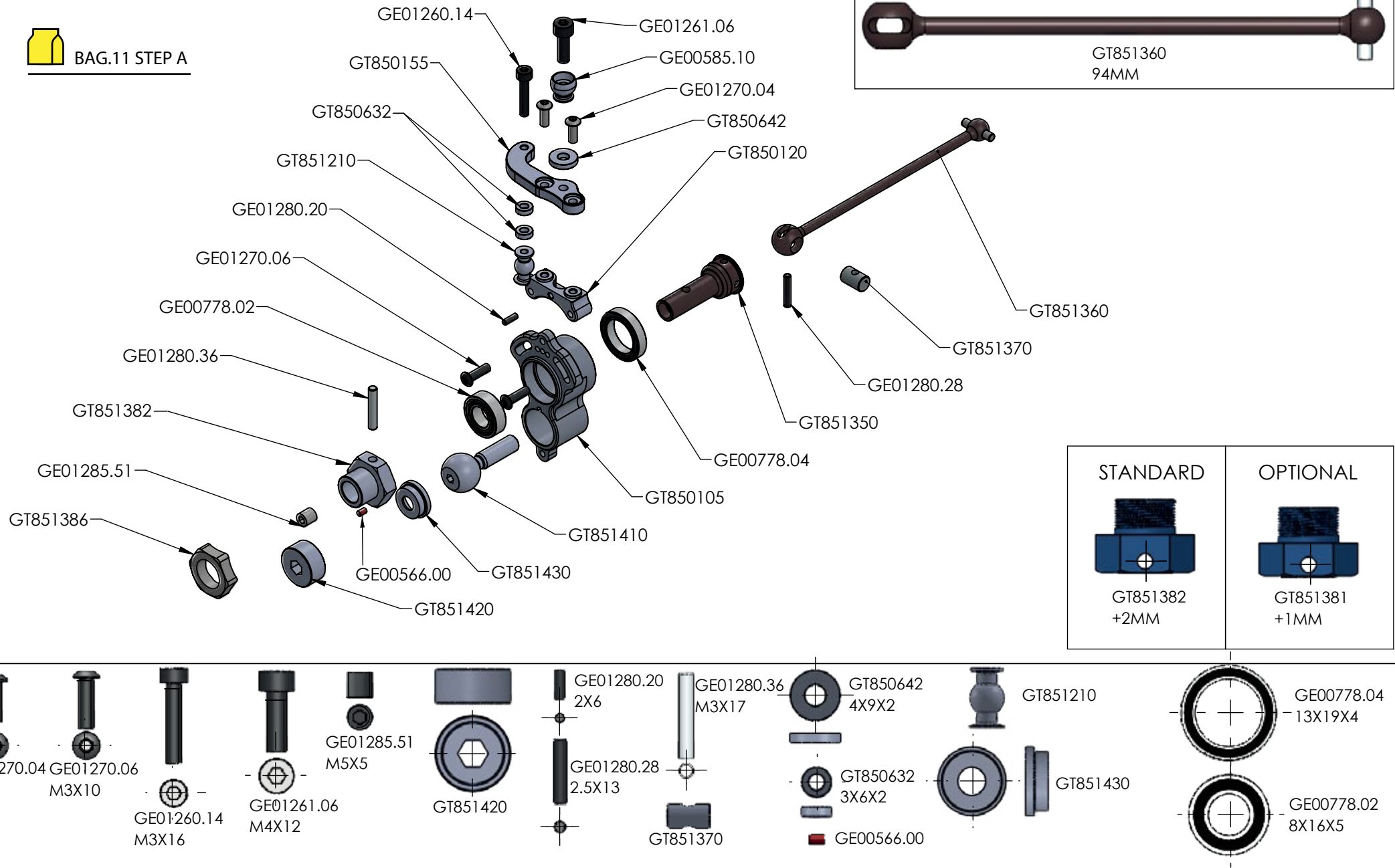
 BAG.10 STEP B




**IMPORTANT:**  
NOTE ORIENTATION OF PART GT850075.  
ATTENZIONE ALL'ORIENTAMENTO DEL PEZZO GT850075.

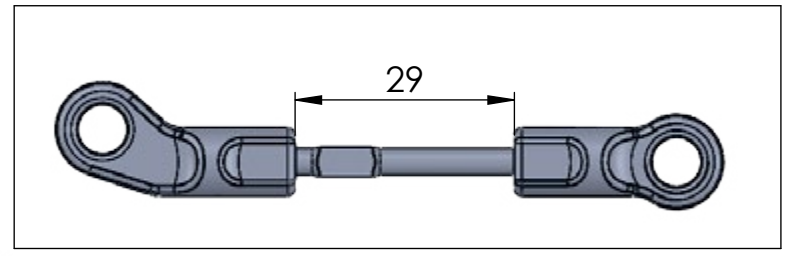


 BAG.11 STEP A

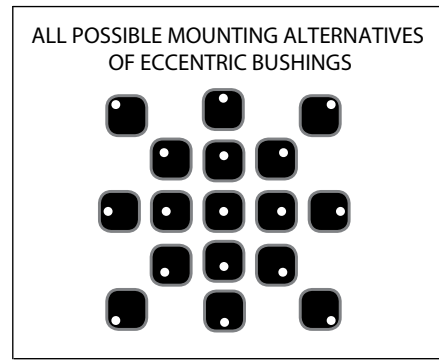
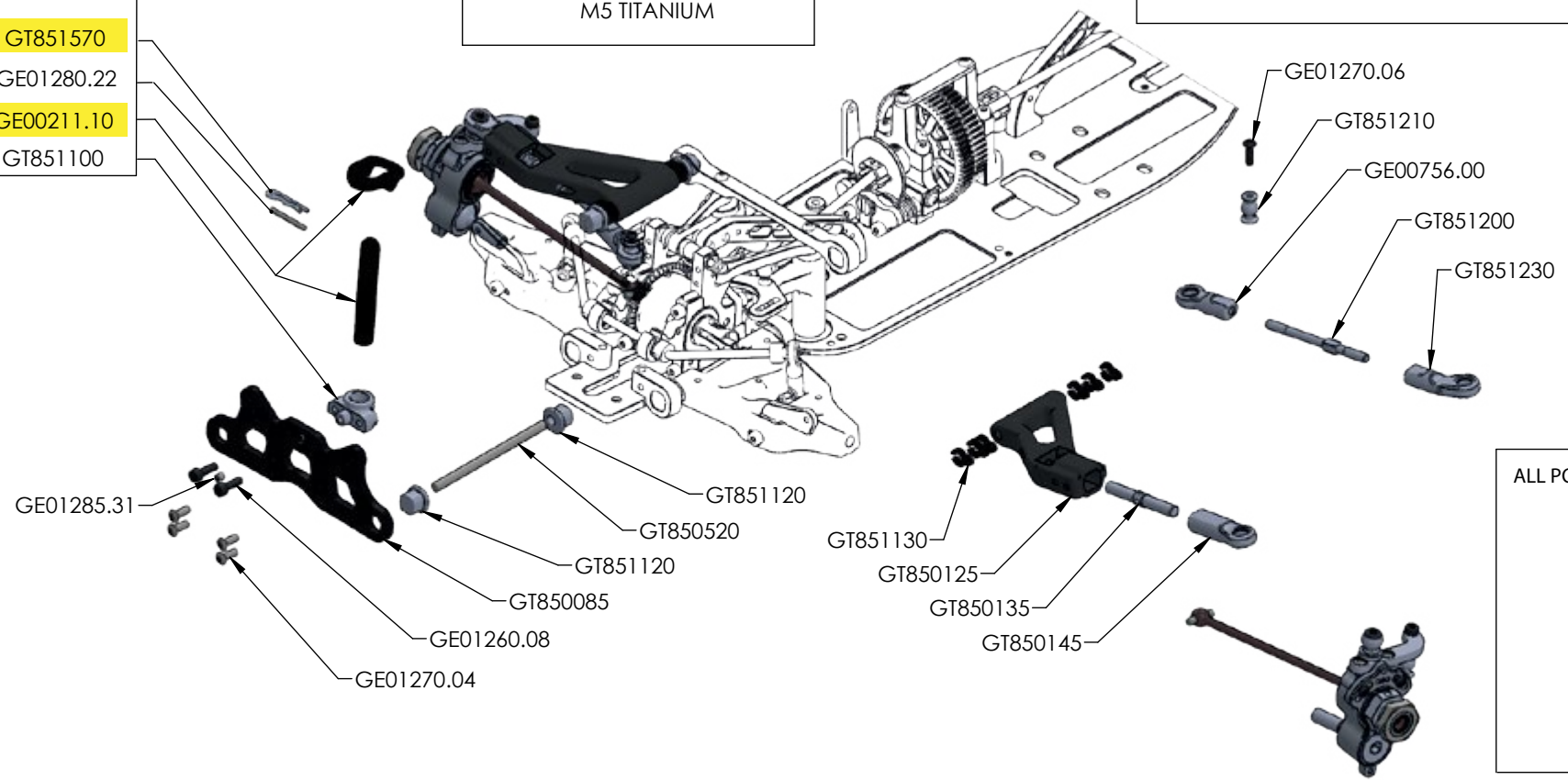








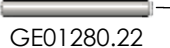







 BAG.11 STEP B

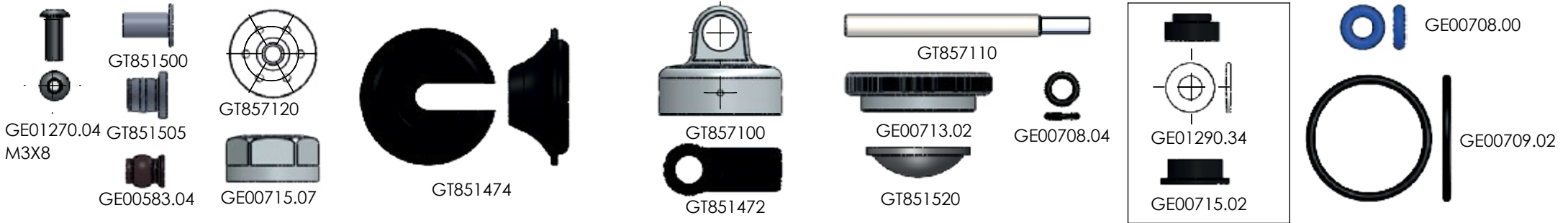
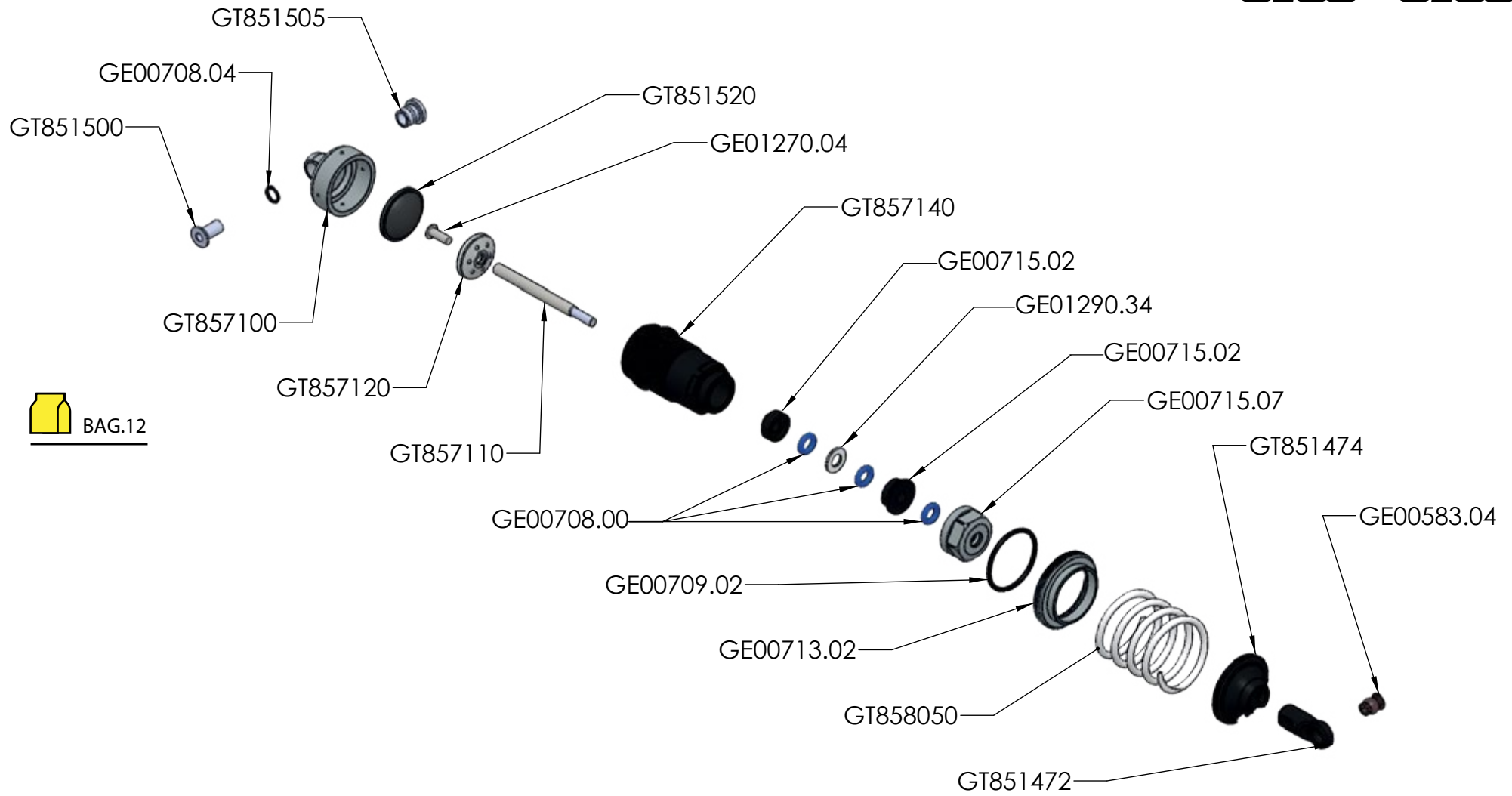
OPTIONAL  
  
 GT850316  
 M5 TITANIUM



OPTIONAL  
 GT851570  
 GE01280.22  
 GE00211.10  
 GT851100

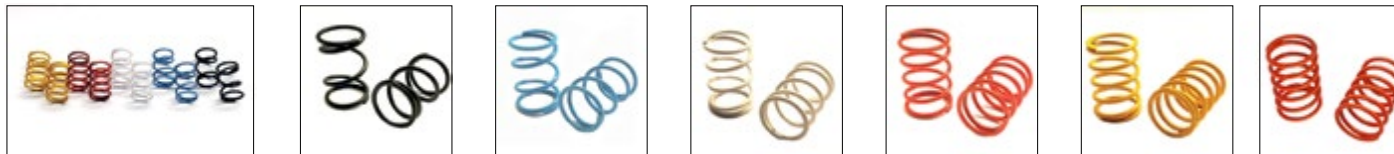


-   
 GE01270.04  
 M3X8
-   
 GE01270.06  
 M3X10
-   
 GE01260.08  
 M3X10
-   
 GT851210  
  
 GT851570
-   
 GT850520  
 4X58  
  
 GE01280.22  
 2X10  
  
 GE01285.31  
 M3X3
-   
 GT850145  
  
 GT850135  
 M5
-   
 GT851200  
 53 MM  
  
 GT850145
-   
 GT851230  
  
 GE00756.00





**SPRING**

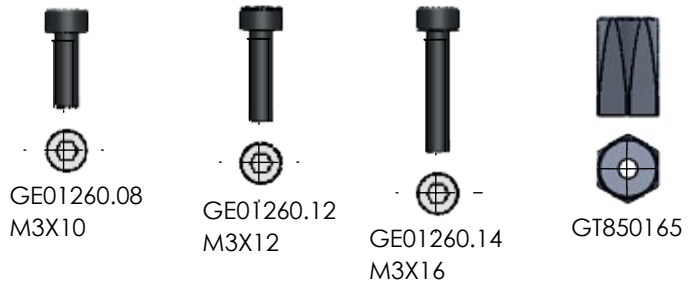
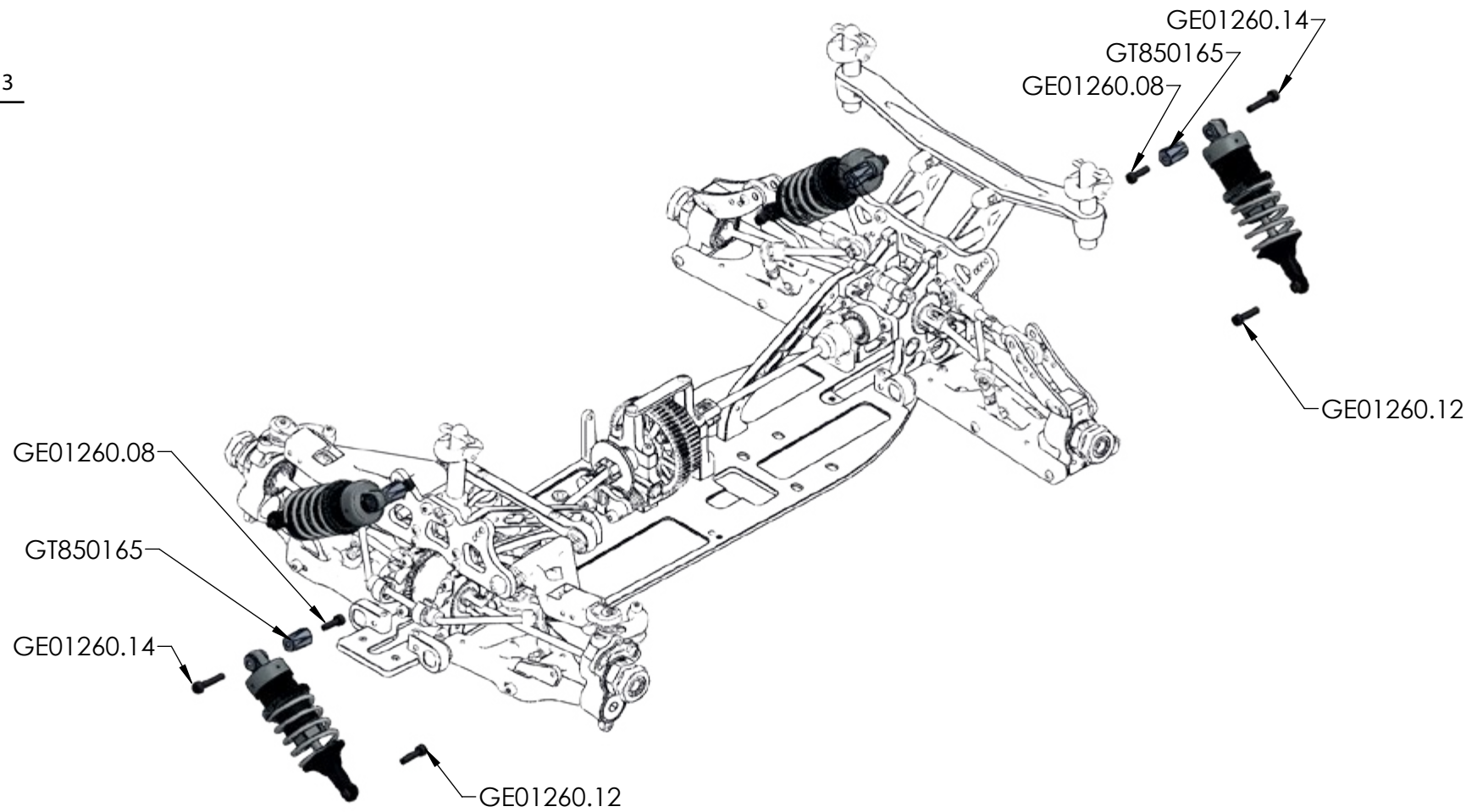


- GT858000 GT SHOCK SPRINGS SET..... (10)
- GT858040 GT SHOCK SPRINGS BLACK..... 4.0 COILS - HARD (2)
- GT858045 GT SHOCK SPRINGS BLUE..... 4.5 COILS - MEDIUM/HARD (2)
- GT858050 GT SHOCK SPRINGS WHITE..... 5.0 COILS - MEDIUM (2)
- GT858055 GT SHOCK SPRINGS RED..... 5.5 COILS - MEDIUM/SOFT (2)
- GT858060 GT SHOCK SPRINGS YELLOW..... 6.0 COILS - SOFT (2)
- GT858065 GT SHOCK SPRINGS ORANGE..... 6.5 COILS - SUPER SOFT (2)

**SILICONE OIL**

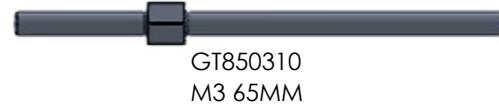
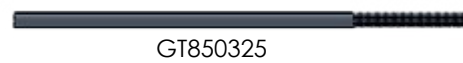
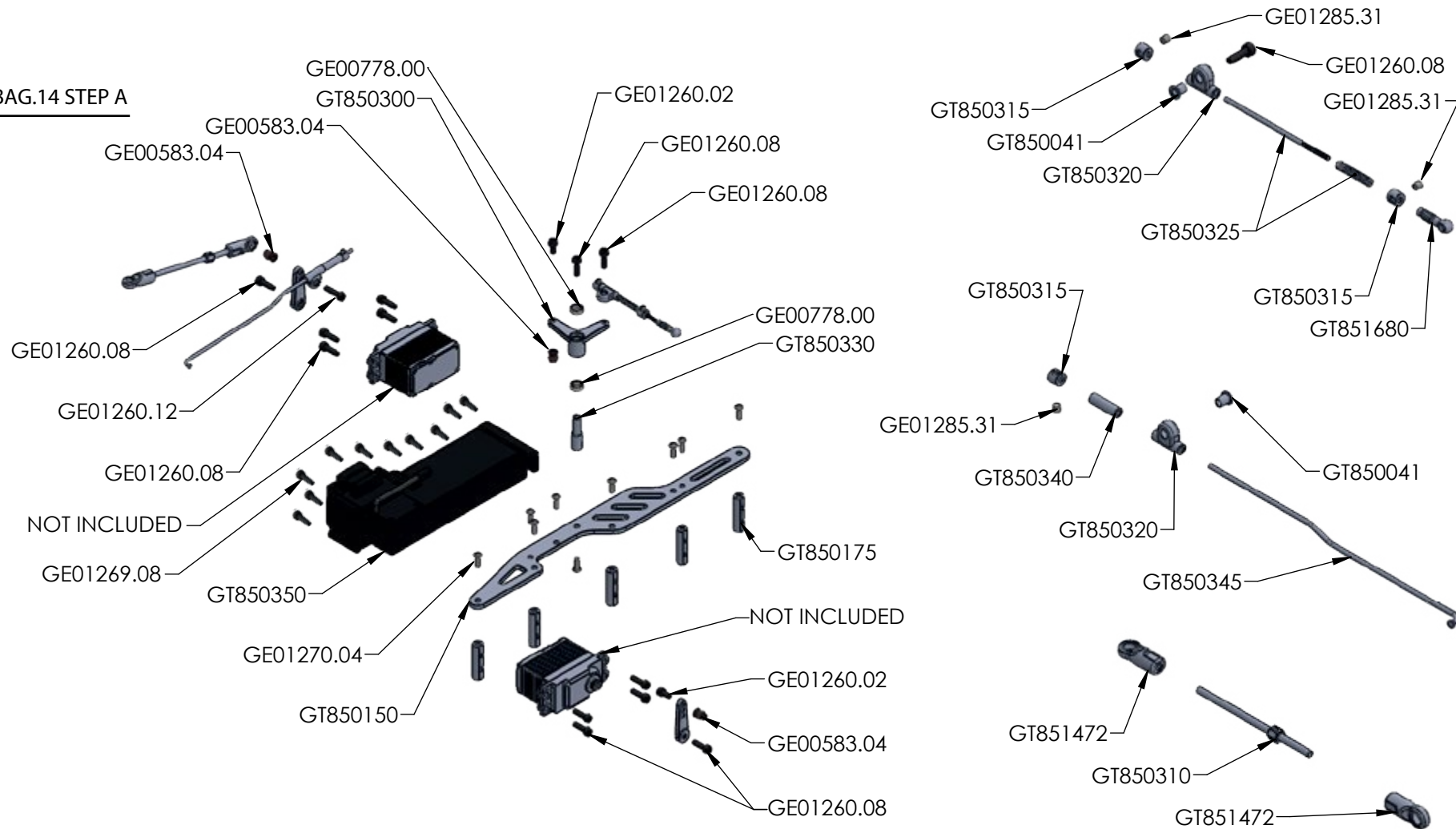
- |   |   |
|---|---|
| GE04000.30 SILICONE OIL 300CST.....60ML   | GE04008.00 SILICONE OIL 8.000CST .....60ML  |
| GE04000.40 SILICONE OIL 400CST.....60ML   | GE04009.00 SILICONE OIL 9.000CST .....60ML  |
| GE04000.50 SILICONE OIL 500CST.....60ML   | GE04010.00 SILICONE OIL 10.000CST .....60ML |
| GE04000.60 SILICONE OIL 600CST.....60ML   | GE04020.00 SILICONE OIL 20.000CST .....60ML |
| GE04000.70 SILICONE OIL 700CST.....60ML   | GE04030.00 SILICONE OIL 30.000CST .....60ML |
| GE04000.80 SILICONE OIL 800CST.....60ML   | GE04050.00 SILICONE OIL 50.000CST .....60ML |
| GE04001.00 SILICONE OIL 1.000CST.....60ML | GE04060.00 SILICONE OIL 60.000CST .....60ML |
| GE04002.00 SILICONE OIL 2.000CST.....60ML | GE04100.00 SILICONE OIL 100.000CST.....60ML |
| GE04003.00 SILICONE OIL 3.000CST.....60ML | GE04200.00 SILICONE OIL 200.000CST.....60ML |
| GE04004.00 SILICONE OIL 4.000CST.....60ML | GE04300.00 SILICONE OIL 300.000CST.....60ML |
| GE04005.00 SILICONE OIL 5.000CST.....60ML | GE04500.00 SILICONE OIL 500.000CST.....60ML |
| GE04006.00 SILICONE OIL 6.000CST.....60ML | GE04990.00 SILICONE OIL 1.000.000CST...60ML |
| GE04007.00 SILICONE OIL 7.000CST.....60ML |   |




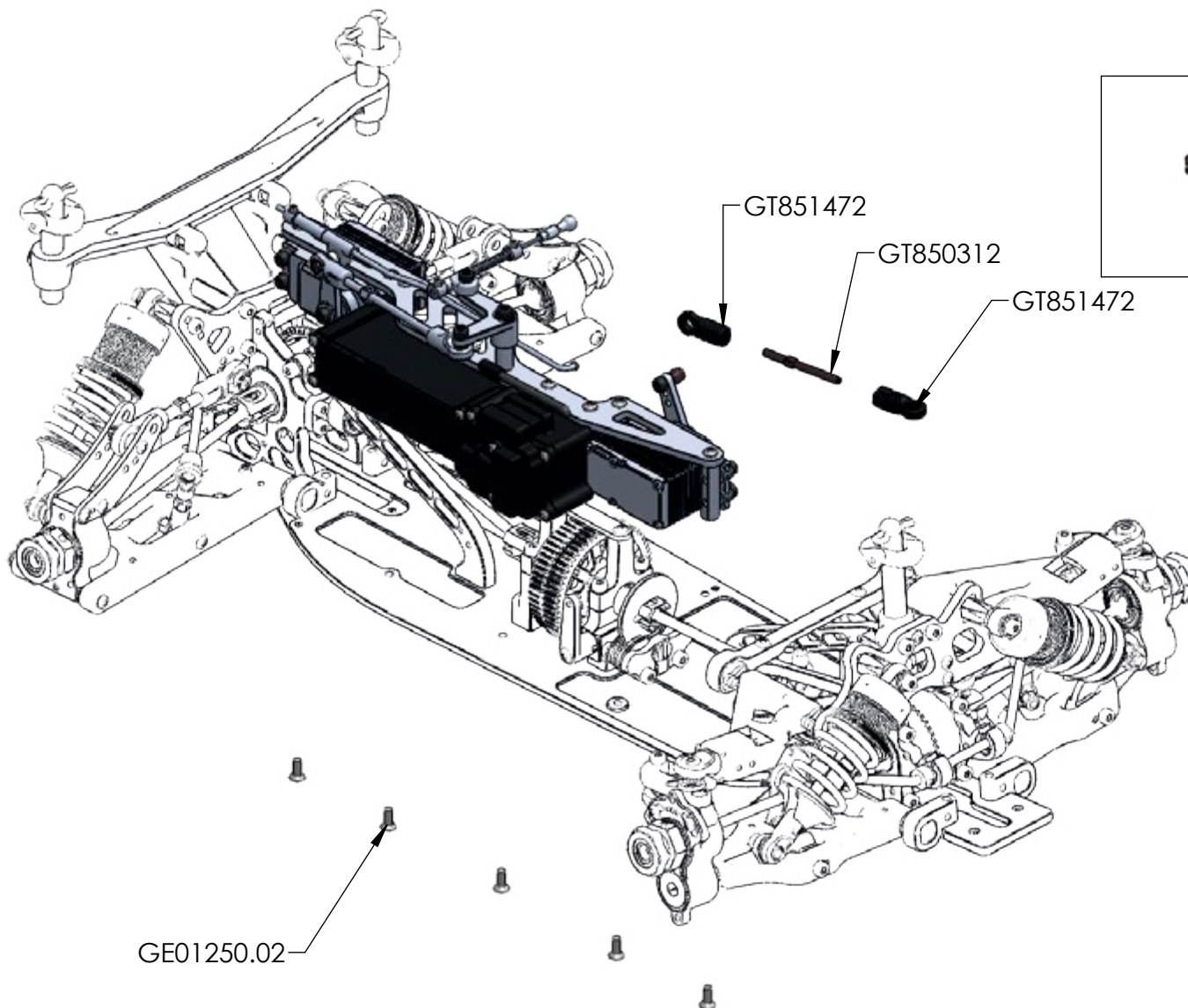




BAG.14 STEP A



 BAG.14 STEP B



OPTIONAL



GT850313  
M3-35MM TITANIUM



GE01250.02  
M3X8



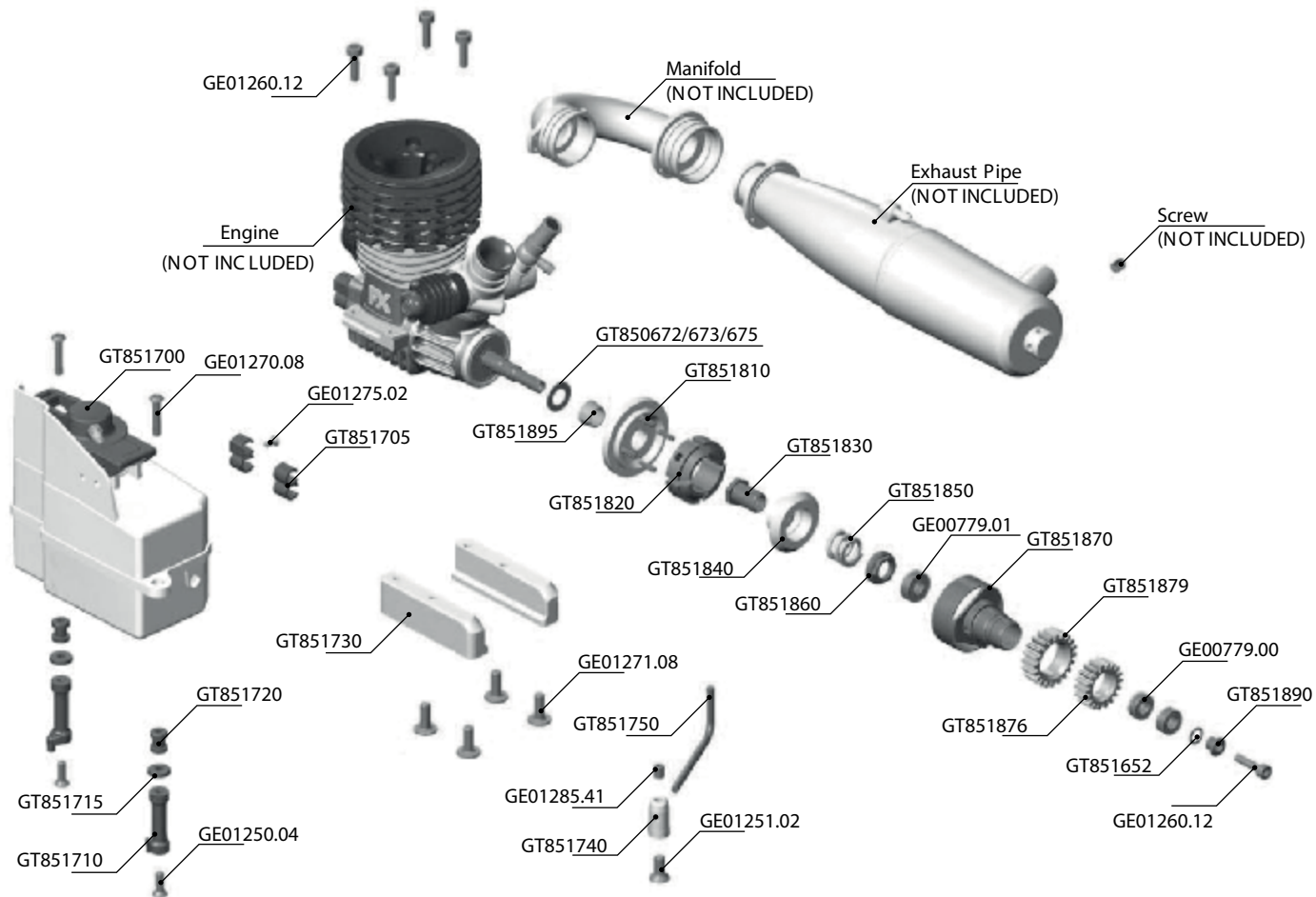
GT850312  
M3-35MM



GT851472



Art. GT851800 CLUTCH



**1ST PINION GEAR HARD**

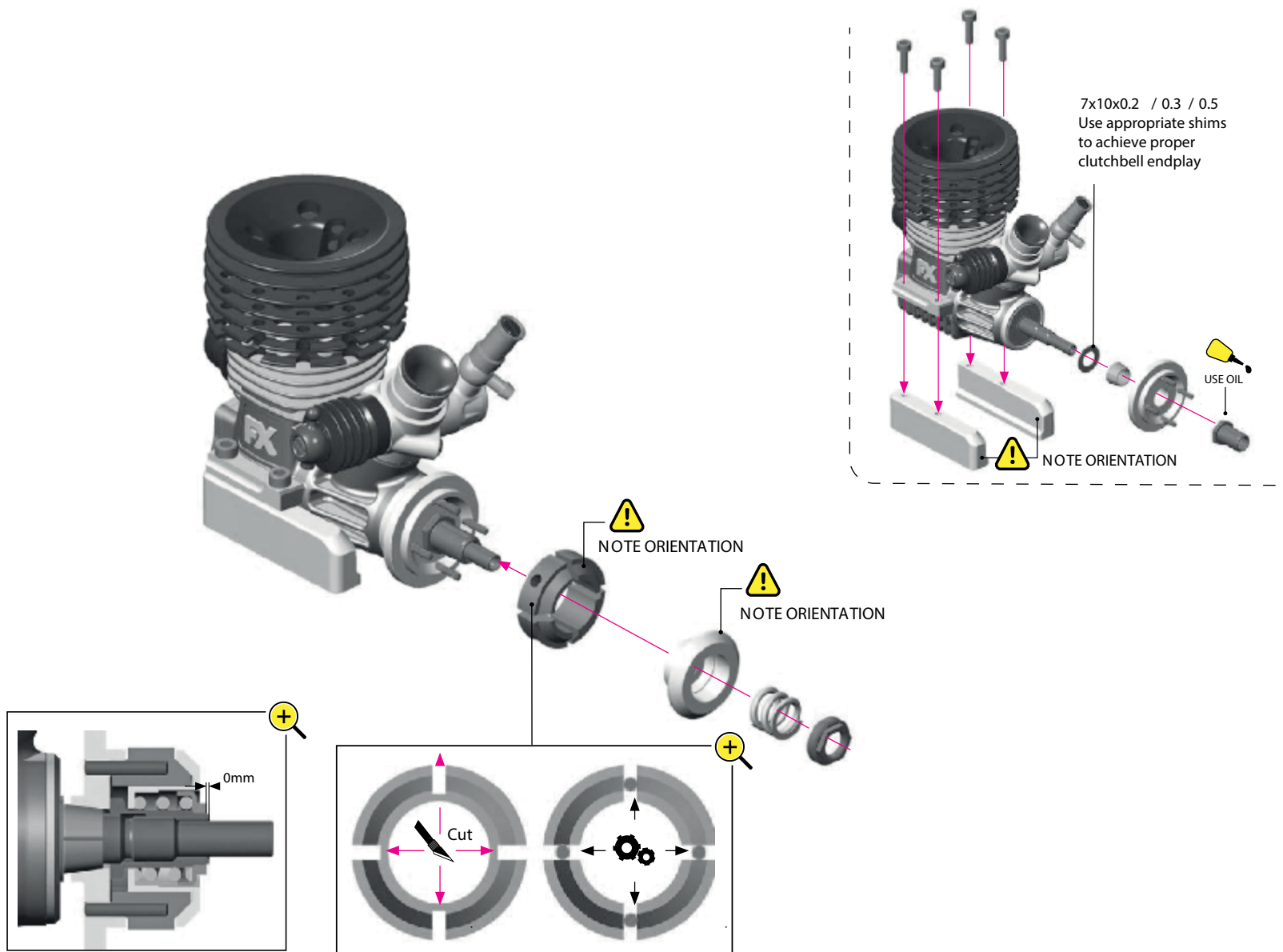


GT851875	15 T	OPTION
GT851876	16 T	INCLUDED
GT851877	17 T	OPTION
GT851878	18 T	OPTION

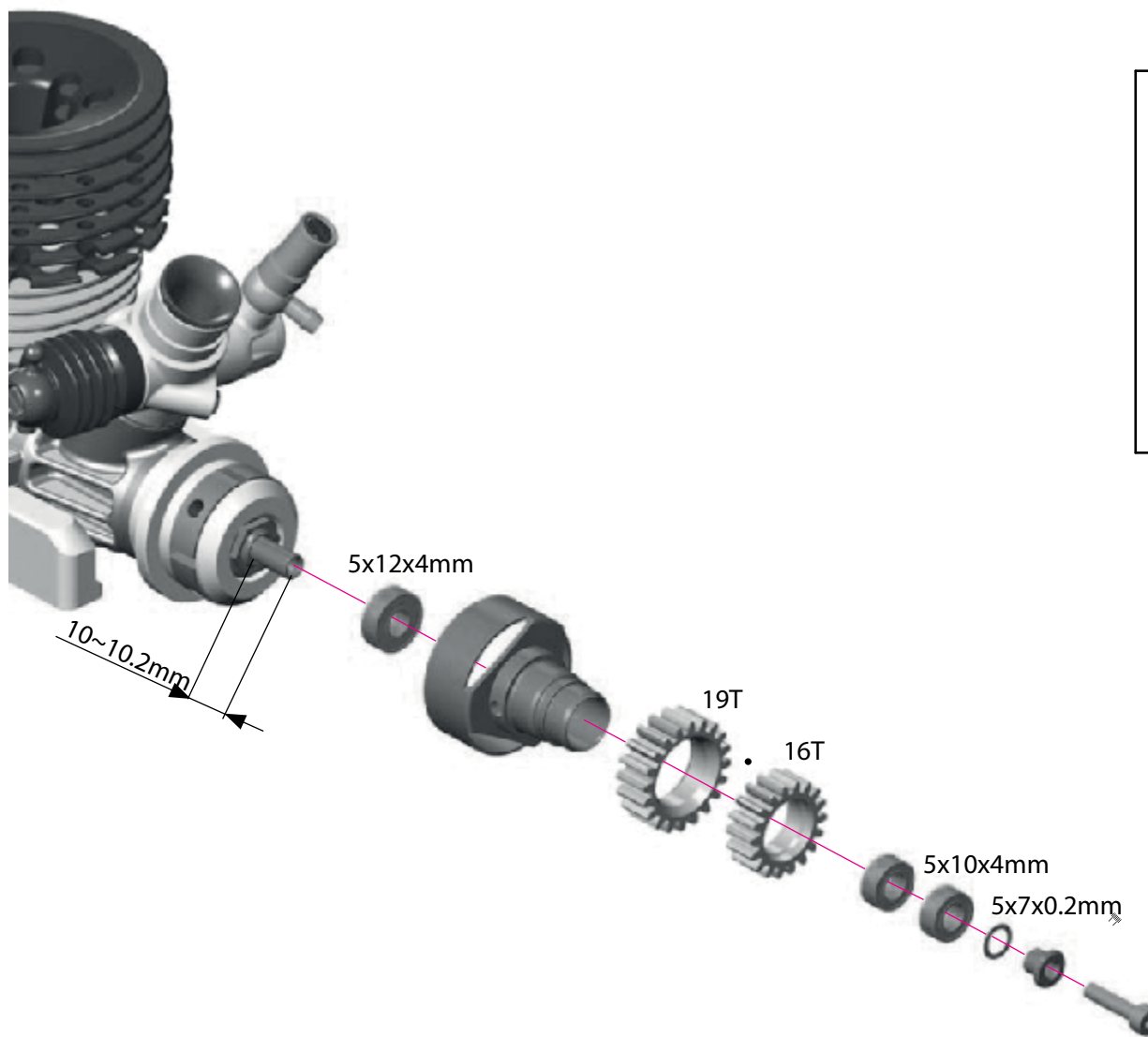


**2ST PINION GEAR HARD**

GT851879	19T	INCLUDED
GT851880	20T	OPTION
GT851881	21T	OPTION



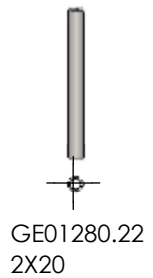
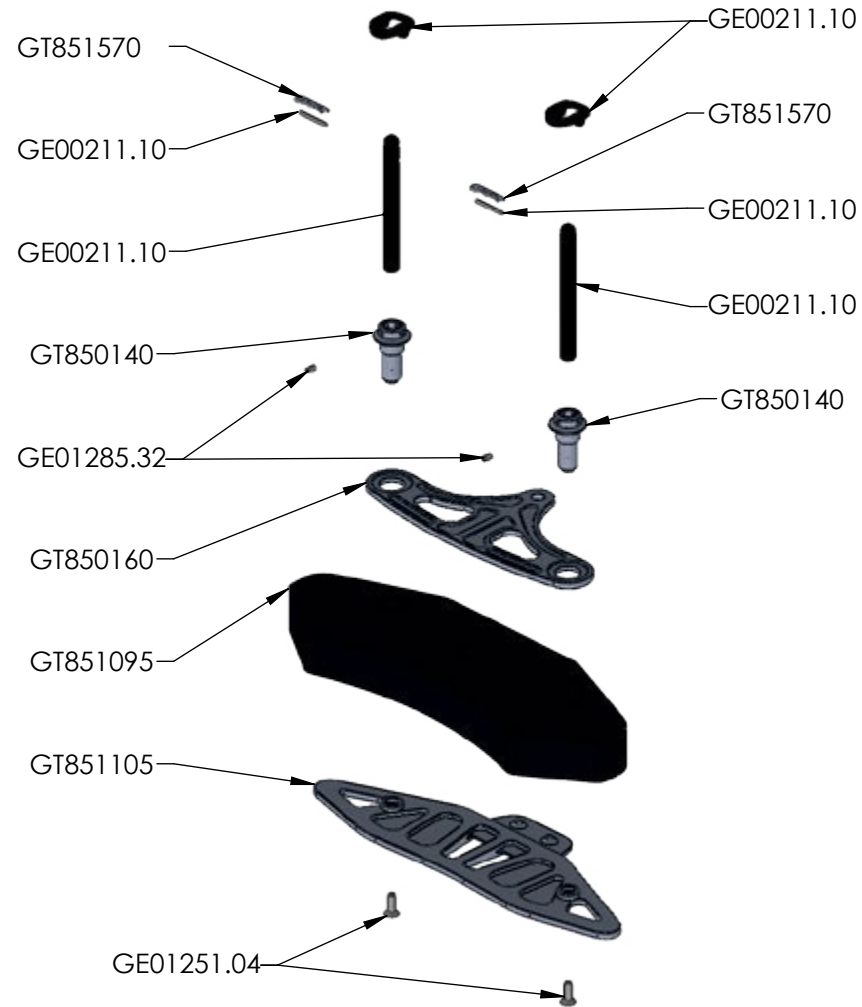
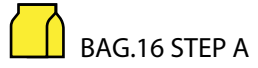




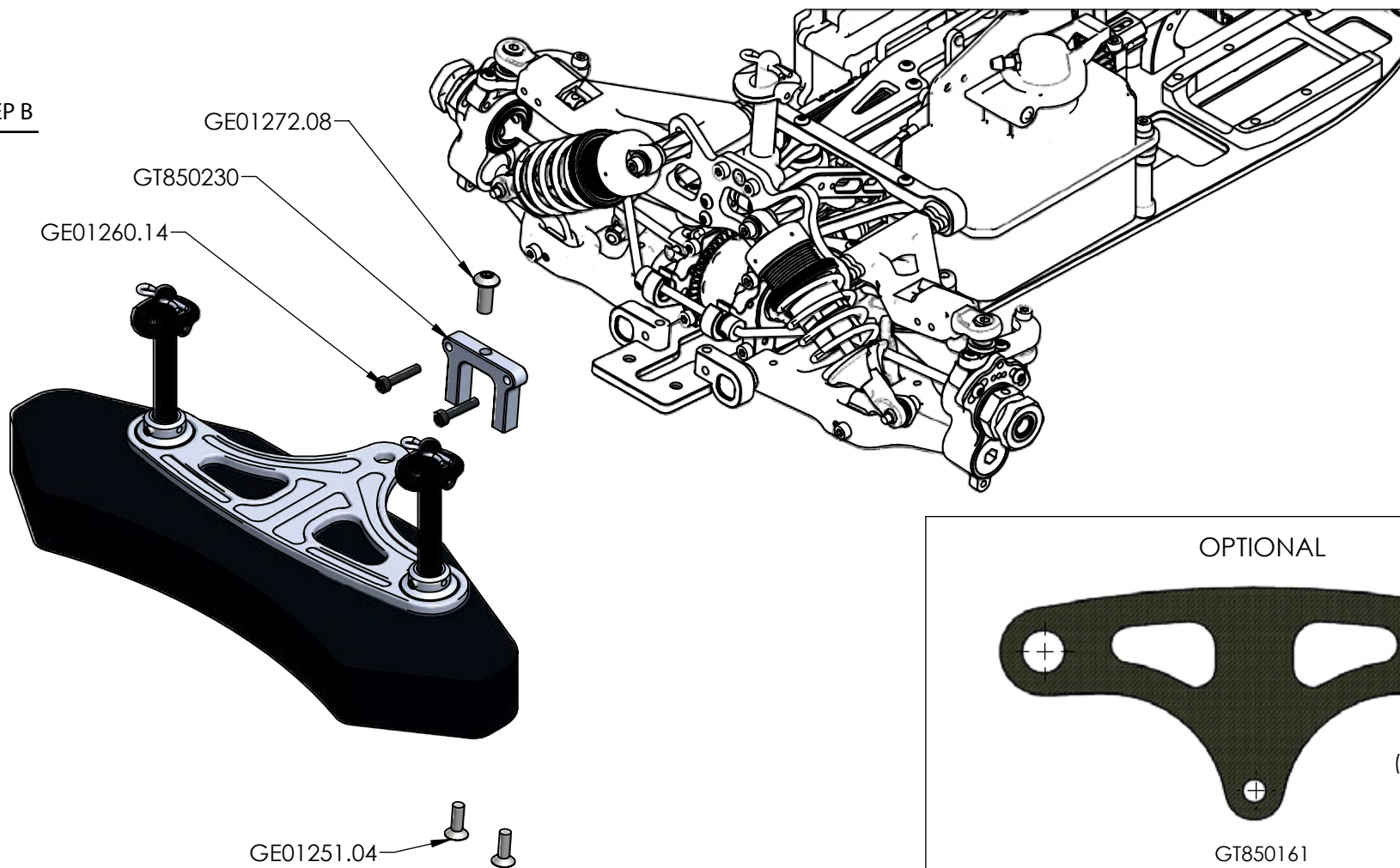
OPTIONAL

	<b>GT851872</b> CLUTCH BELL ALU LIGHT 13/17
	GT851874 CLUTCH BELL ALU LIGHT 14/18





 BAG.16 STEP B



GE01251.04  
M4X12

GE01272.08  
M5X12

GE01260.14  
M3X16

GT850230

# OPTIONALS **GTCB**

## AERO SERIES



GT859005  
GRAPHITE  
AERODYNAMIC DISC SET

## LIGHT SERIES



GT851411  
STEEL PIVOT BALL ALU LIGHT  
13,7 MM



GT850313  
ADJ STEERING TITANIUM LIGHT 3x35



GT851211  
BALL STUD 6,8MM  
WITH BACK STOP M3 ALU



GT851212  
BALL STUD 6,8MM  
WITH BACK STOP Ø3 ALU



GT850161  
CARBON GRAPHITE BUMPER PLATE



GT850136  
ADJ FROONT ARM TURNBUCKLE  
M5 TITANIUM

## RACE SERIES



GT859025  
WEIGHTS 10 GR



GT859000  
GRAPHITE SERVO GUARD



GT859020  
BALANCE BRASS WEIGHT  
ADJUSTABLE 30 GR + 12 GR



**MODELTEK**

di Noacco Zeno,

Via Madonna di Strada, 34

33048 San Giovanni al Natisone

(UD) Italia

+39 0432 1849976

info@genius-racing.com

[www.modeltekshop.com](http://www.modeltekshop.com)

[www.genius-racing.com](http://www.genius-racing.com)



GeniusRacingXR