

XR4.22

INSTRUCTION MANUAL

2022



MOUNTING COMPONENTS #1



GRANI
4X16

TB
4X16

MOUNTING COMPONENTS #2



MOUNTING COMPONENTS #3



TB
5X10

TC
4X12

MOUNTING COMPONENTS #4



TB
4X10

INDEX

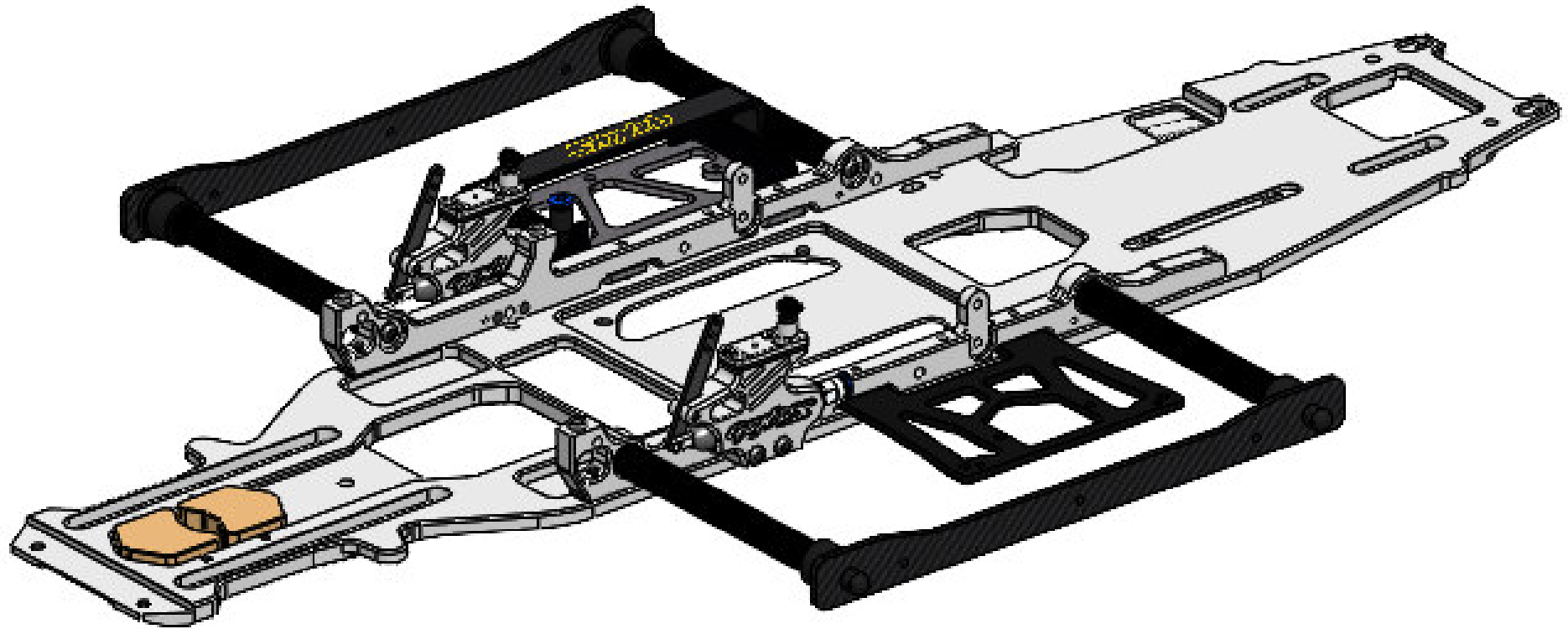
	PAG.
1. CHASSIS ASSEMBLY WITH REINFORCEMENT.....	5
2. REAR SUSPENSION ASSEMBLY.....	11
3. REAR SUSPENSION ASSEMBLY WITH STEERING TURNBUCKLE.....	16
4. ENGINE SUPPORT ASSEMBLY.....	25
5. REAR SUSPENSION ASSEMBLY WITH CHASSIS.....	28
6. FRONT SUSPENSION ASSEMBLY.....	30
7. FRONT SUSPENSION ASSEMBLY WITH SHOCK ABSORBER.....	37
8. SERVO SAVER ASSEMBLY.....	40
9. SHORT SHOCK ABSORBER ASSEMBLY.....	42
10. TANK AND SERVO SAVER ASSEMBLY.....	44

INDICE

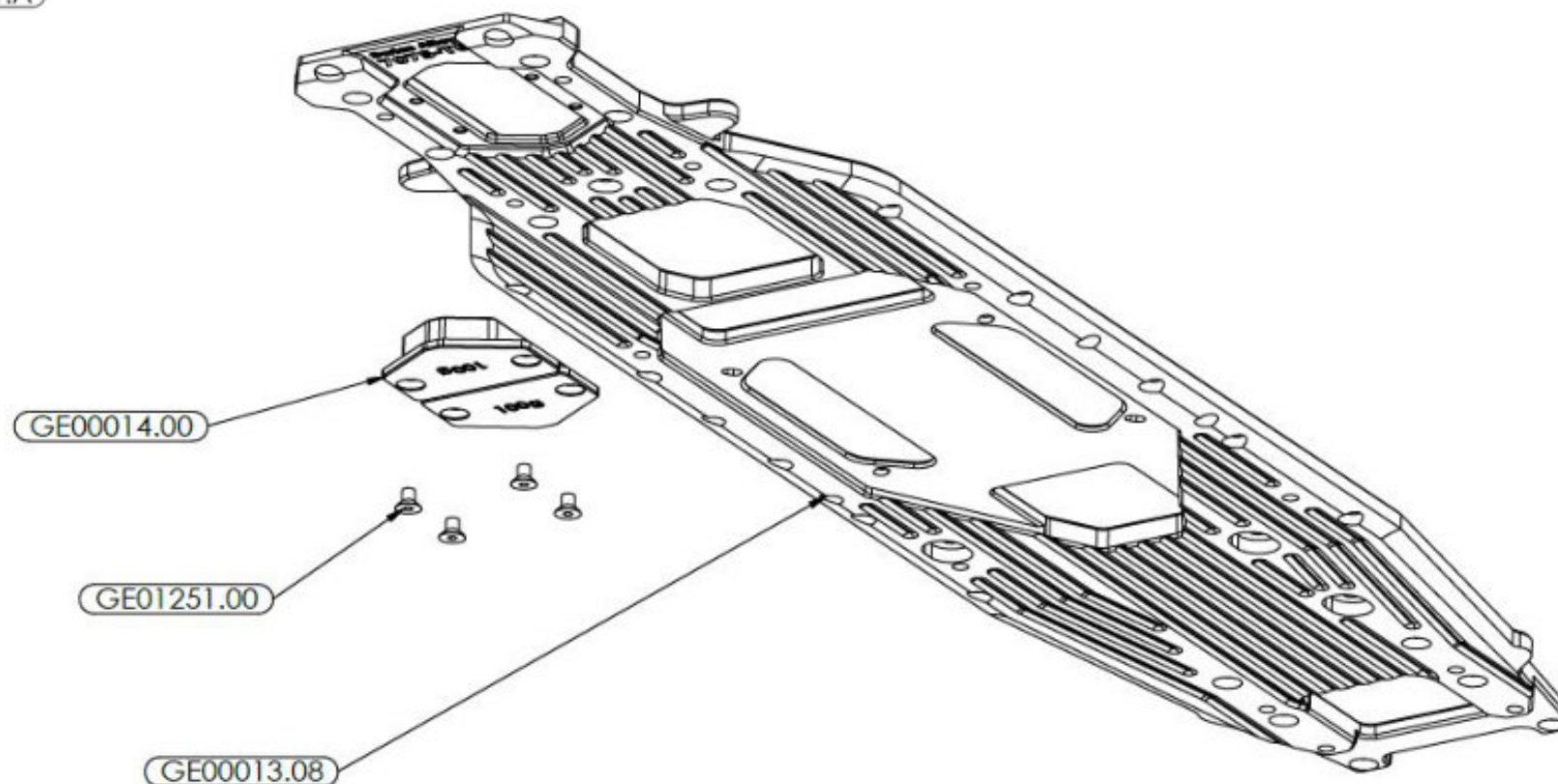
	PAG.
1. ASSEMBLAGGIO TELAIO CON TRAVERSE.....	5
2. ASSEMBLAGGIO CASTELLO POSTERIORE.....	11
3. ASSEMBLAGGIO CASTELLO POSTERIORE CON TIRANTI.....	16
4. ASSEMBLAGGIO SUPPORTO MOTORE.....	25
5. ASSEMBLAGGIO CASTELLO POSTERIORE CON TELAIO.....	28
6. ASSEMBLAGGIO CASTELLO ANTERIORE.....	30
7. ASSEMBLAGGIO CASTELLO ANTERIORE CON AMMORTIZZATORI.....	37
8. ASSEMBLAGGIO SALVASERVO.....	40
9. ASSEMBLAGGIO AMMORTIZZATORI CORTI.....	42
10. ASSEMBLAGGIO SERBATOIO E SALVASERVO.....	44

1. CHASSIS ASSEMBLY WITH REINFORCEMENT

XR4.22



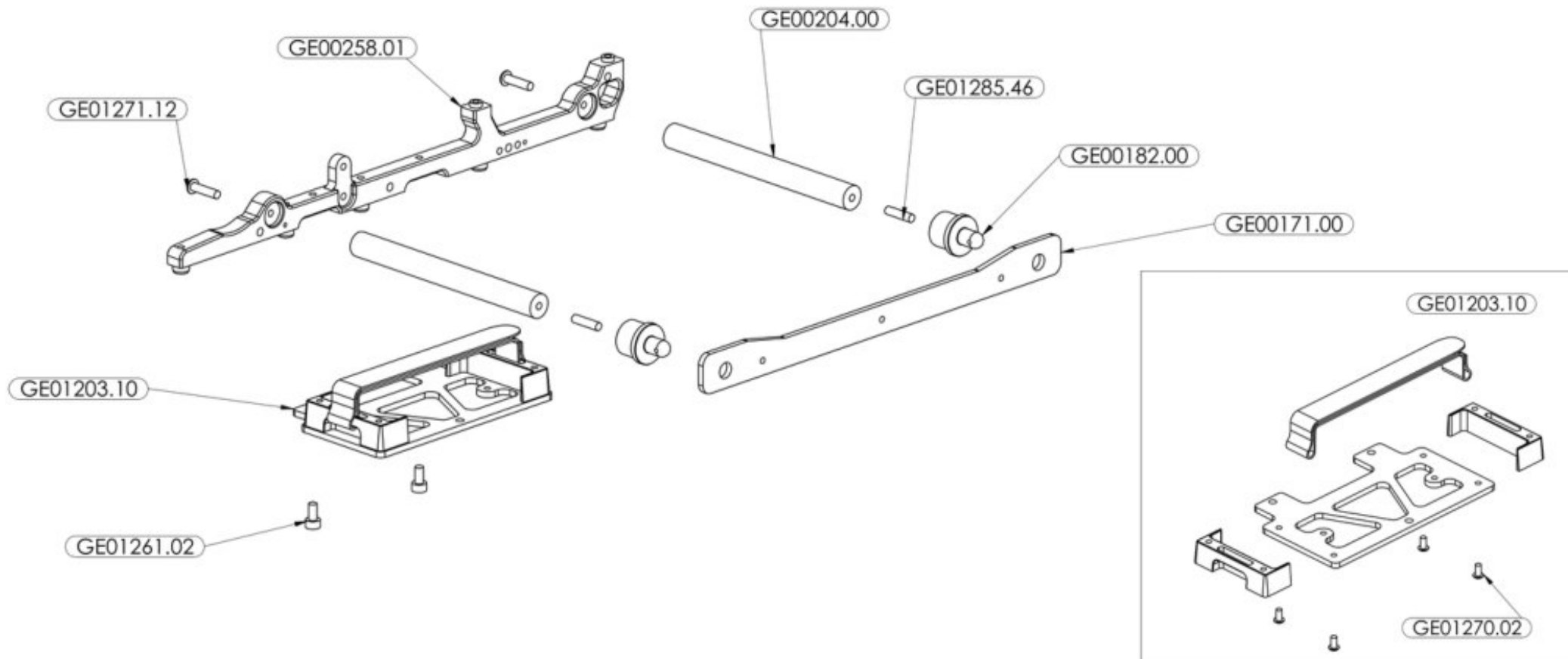
FASE 01.A



optional parts

DESCRIPTION	CODE
ZAVORRA	GE00014.00

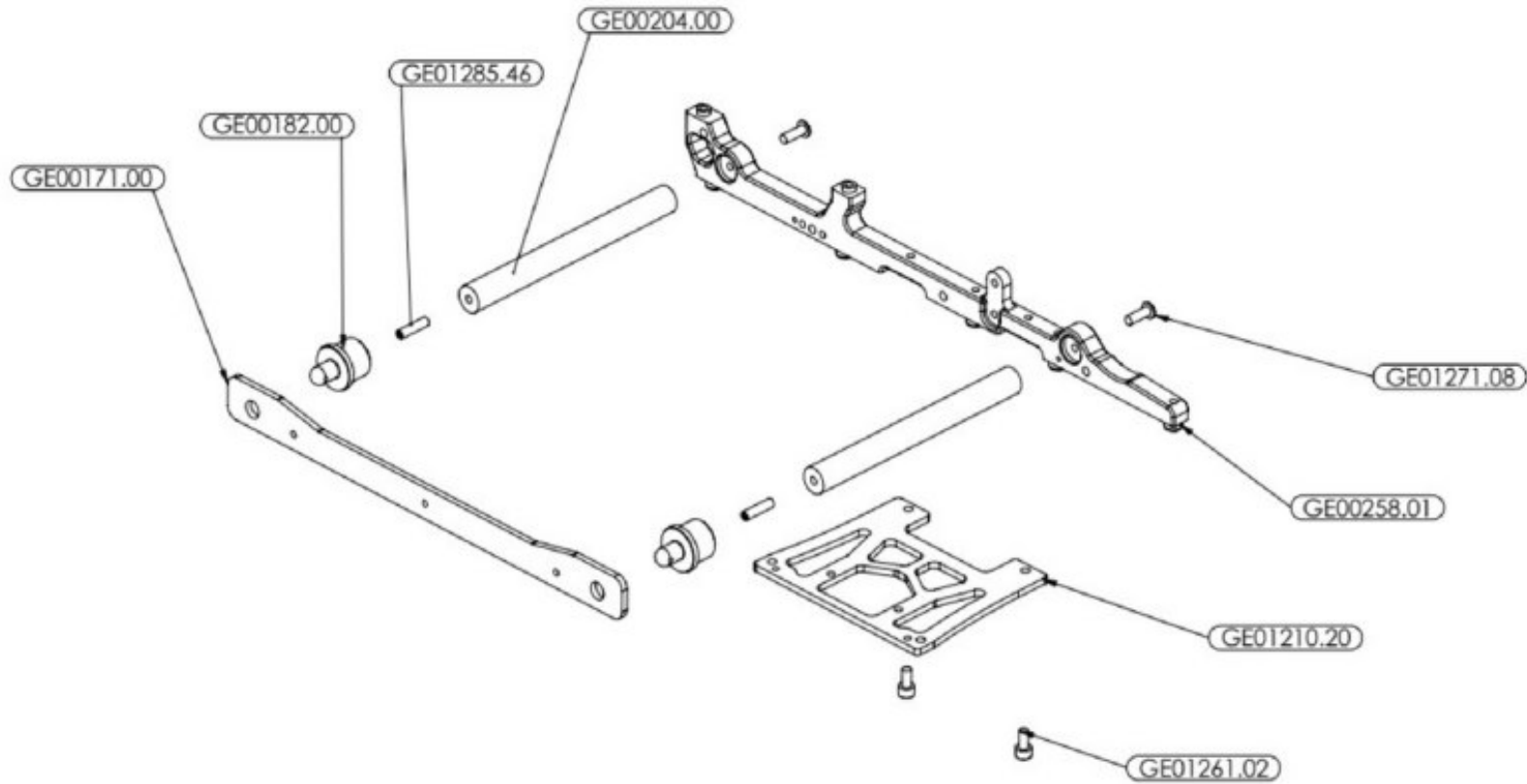
FASE01.B



optional parts

DESCRIPTION	CODE
PIASTRA SUPPORTO BATTERIA CARBONIO	GE01203.01

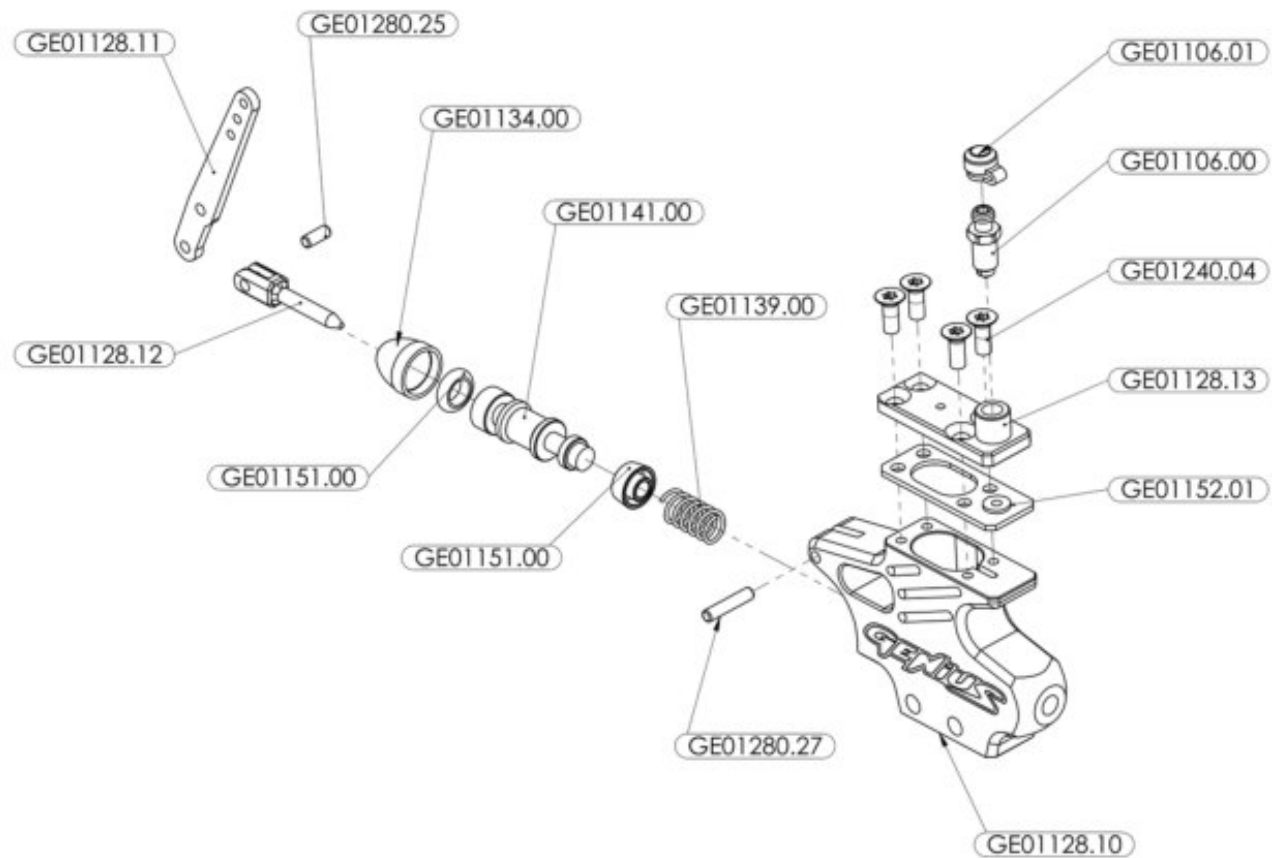
FASE01.C



optional parts

DESCRIPTION	CODE
PIASTRA SUPPORTO MARMITTA XR4 PLUS CARBONIO	GE01210.30

GE01128.01



GE00871.01



GE00872.01



GE00872.02



GE00870.01

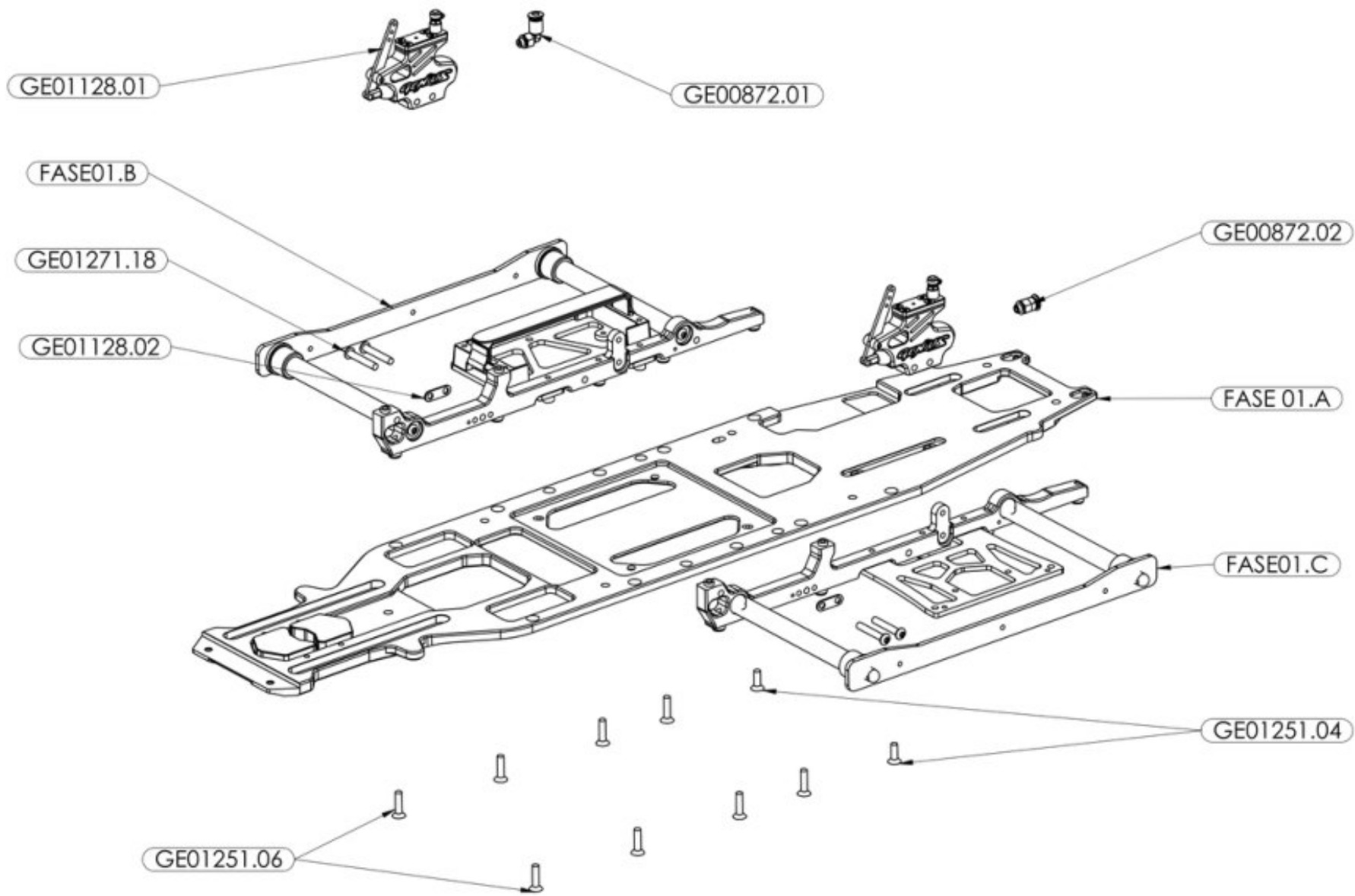


GE01112.00



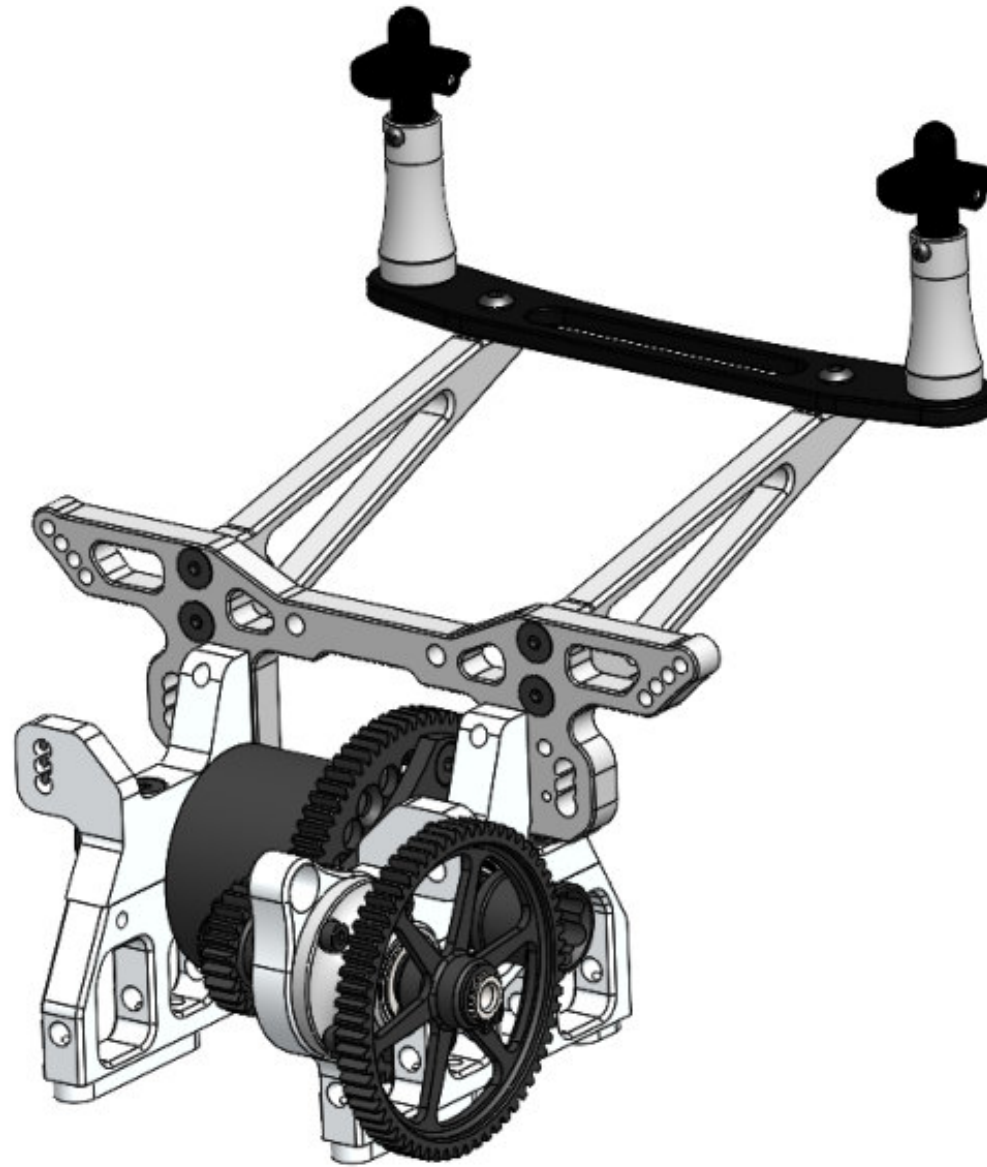
GE00392.01

FASE 01

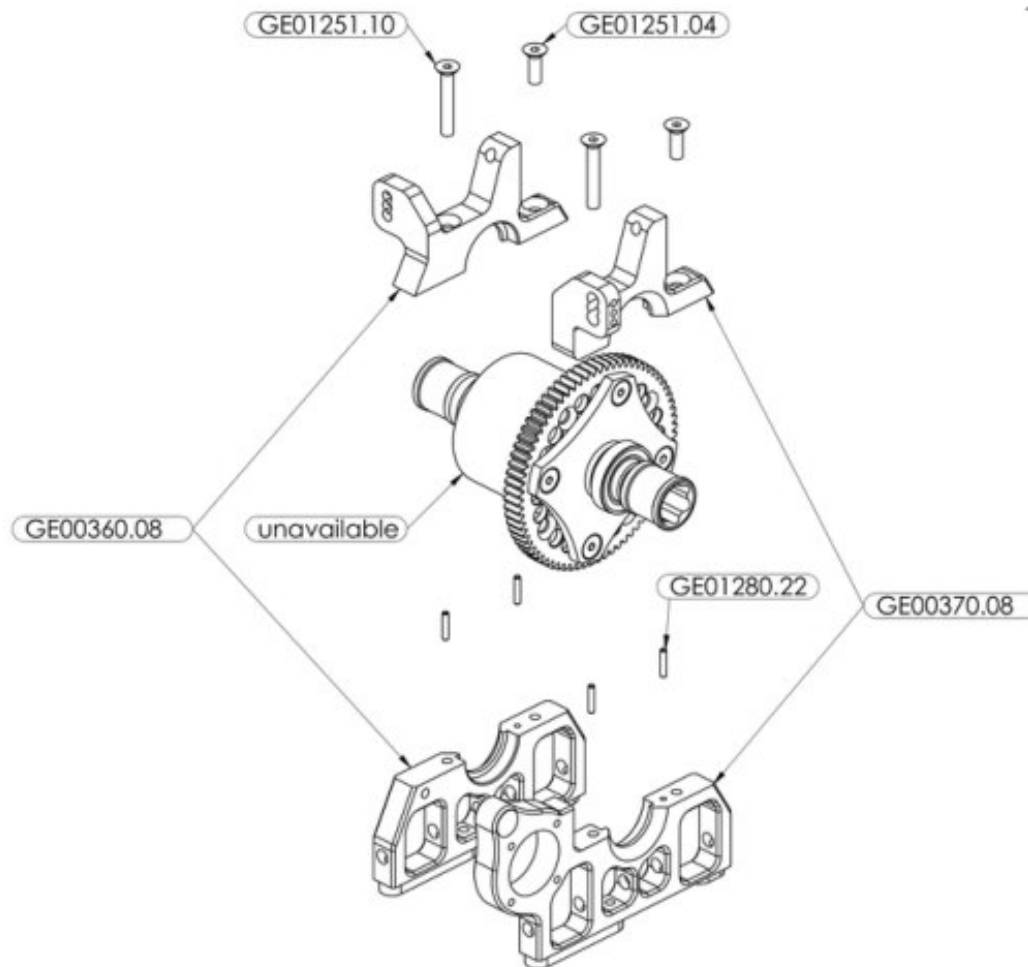


2. REAR SUSPENSION ASSEMBLY

XR4.22



FASE 02.A

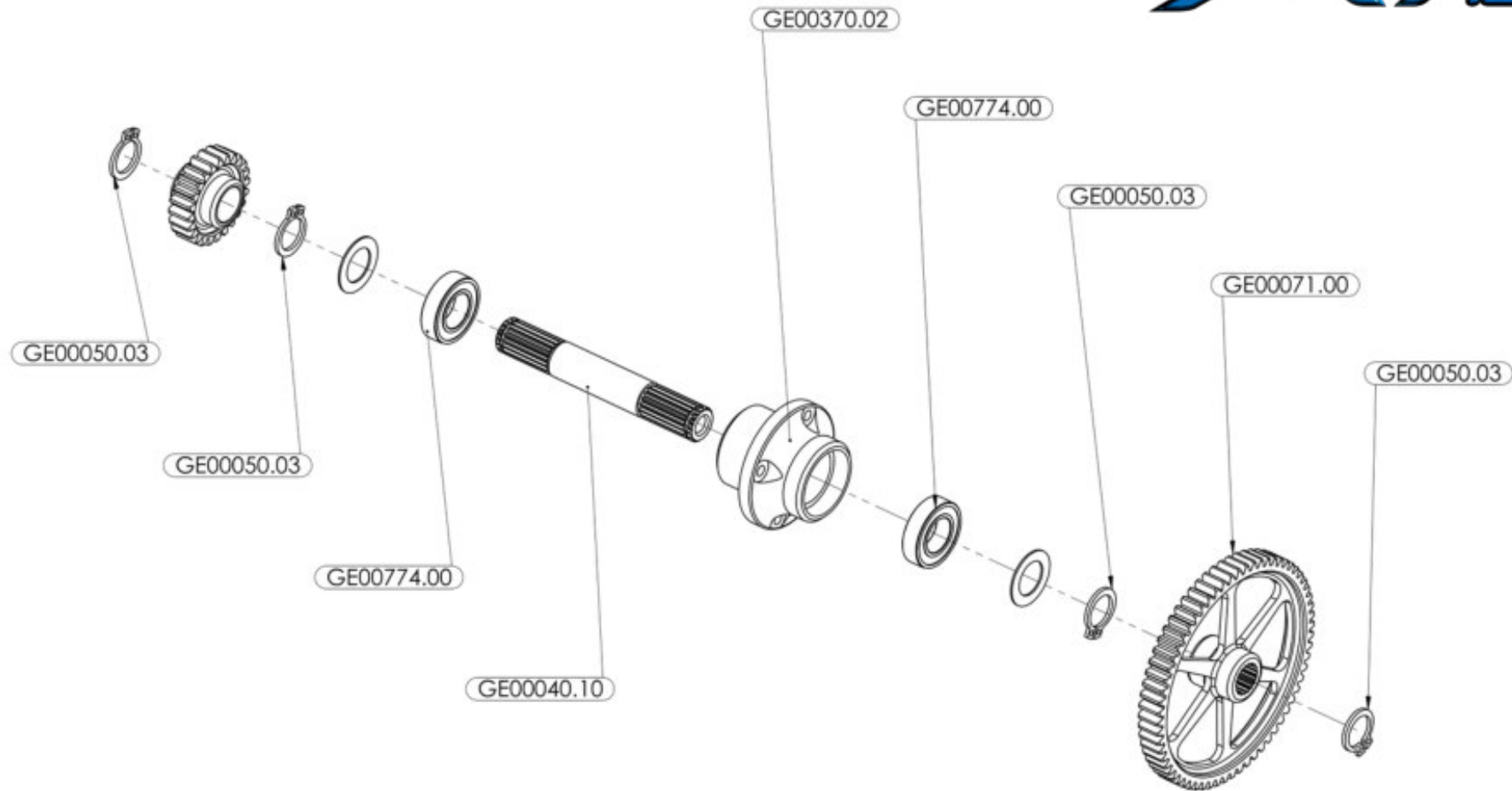




GE00088.00



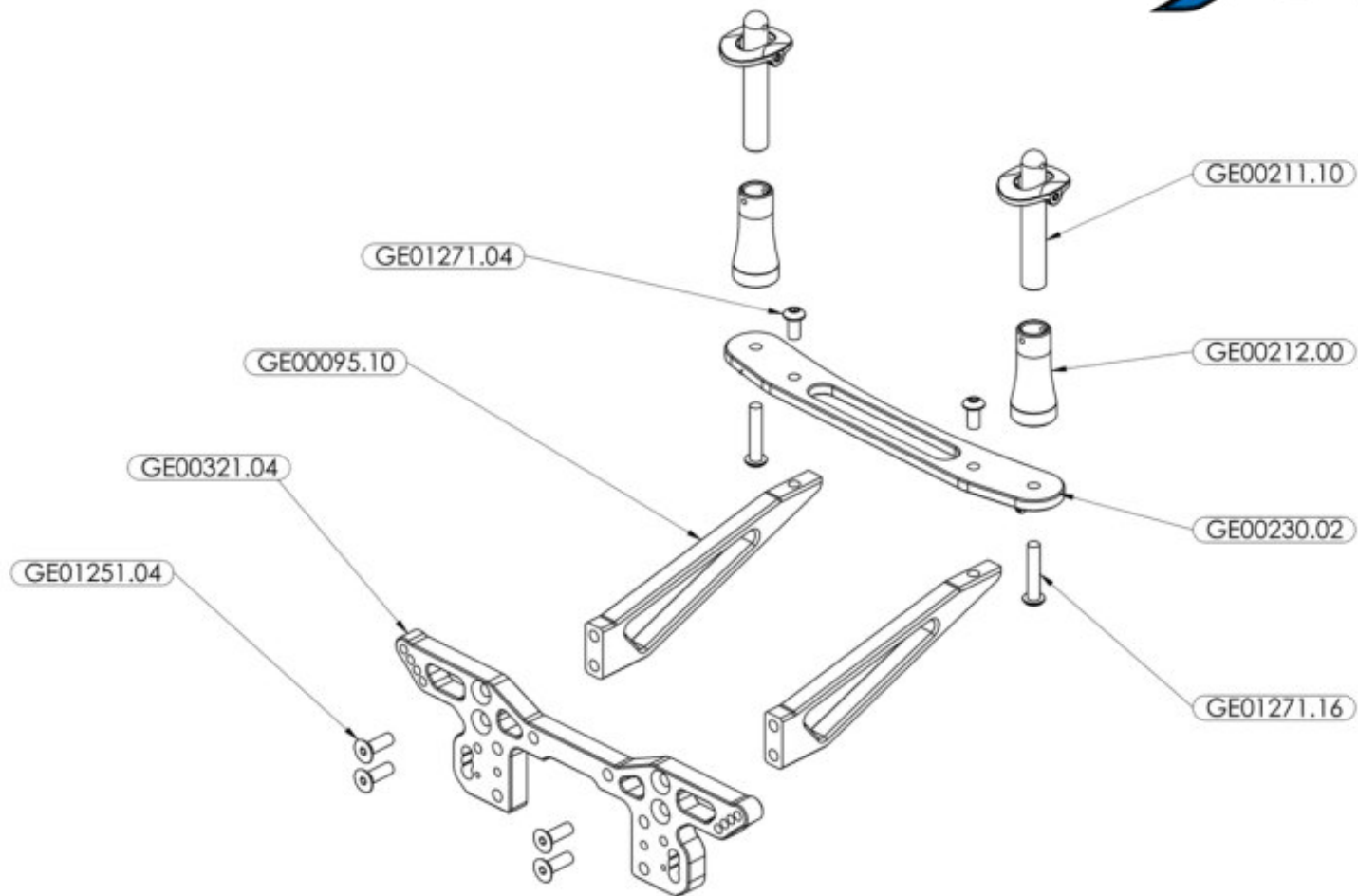
GE00775.00

FASE 02.B



			
optional parts		optional parts	
DESCRIPTION	CODE	DESCRIPTION	CODE
RASAMENTO ø10x0.1	GE01290.60	PIGNONE Z24 M1	GE00079.10
RASAMENTO ø10x0.3	GE01290.62	PIGNONE Z25 M1	GE00080.10
RASAMENTO ø10x0.5	GE01290.64		

FASE 02.C

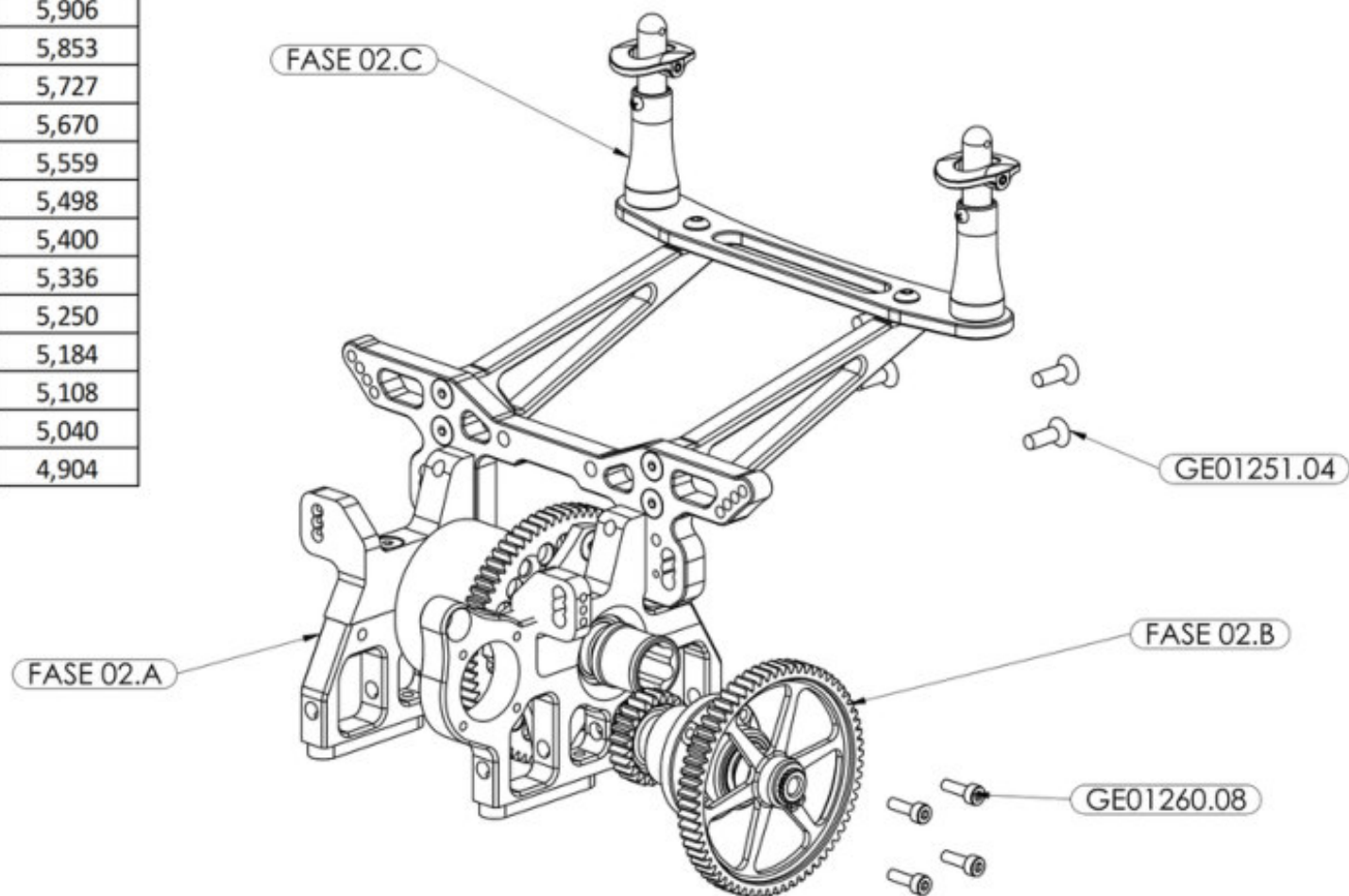


optional parts

DESCRIPTION	CODE
SUPPORTO CARROZZERIA CARBONIO	GE00230.03

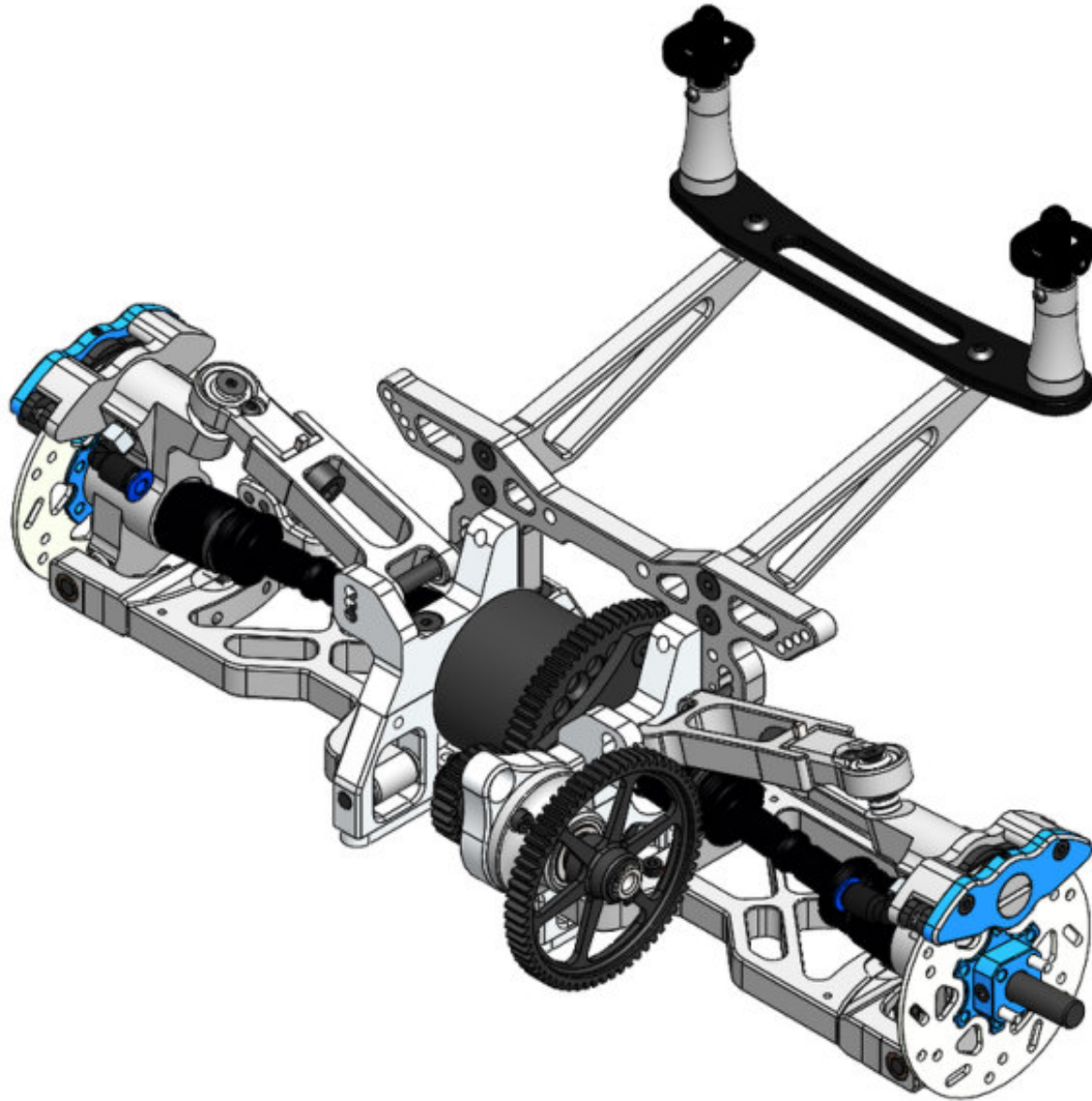
pignon 1	pignon 2	pignon 3	pignon 4	RATIO
31	63	24	72	6,097
32	63	24	72	5,906
31	63	25	72	5,853
33	63	24	72	5,727
32	63	25	72	5,670
34	63	24	72	5,559
33	63	25	72	5,498
35	63	24	72	5,400
34	63	25	72	5,336
36	63	24	72	5,250
35	63	25	72	5,184
37	63	24	72	5,108
36	63	25	72	5,040
37	63	25	72	4,904

FASE 02

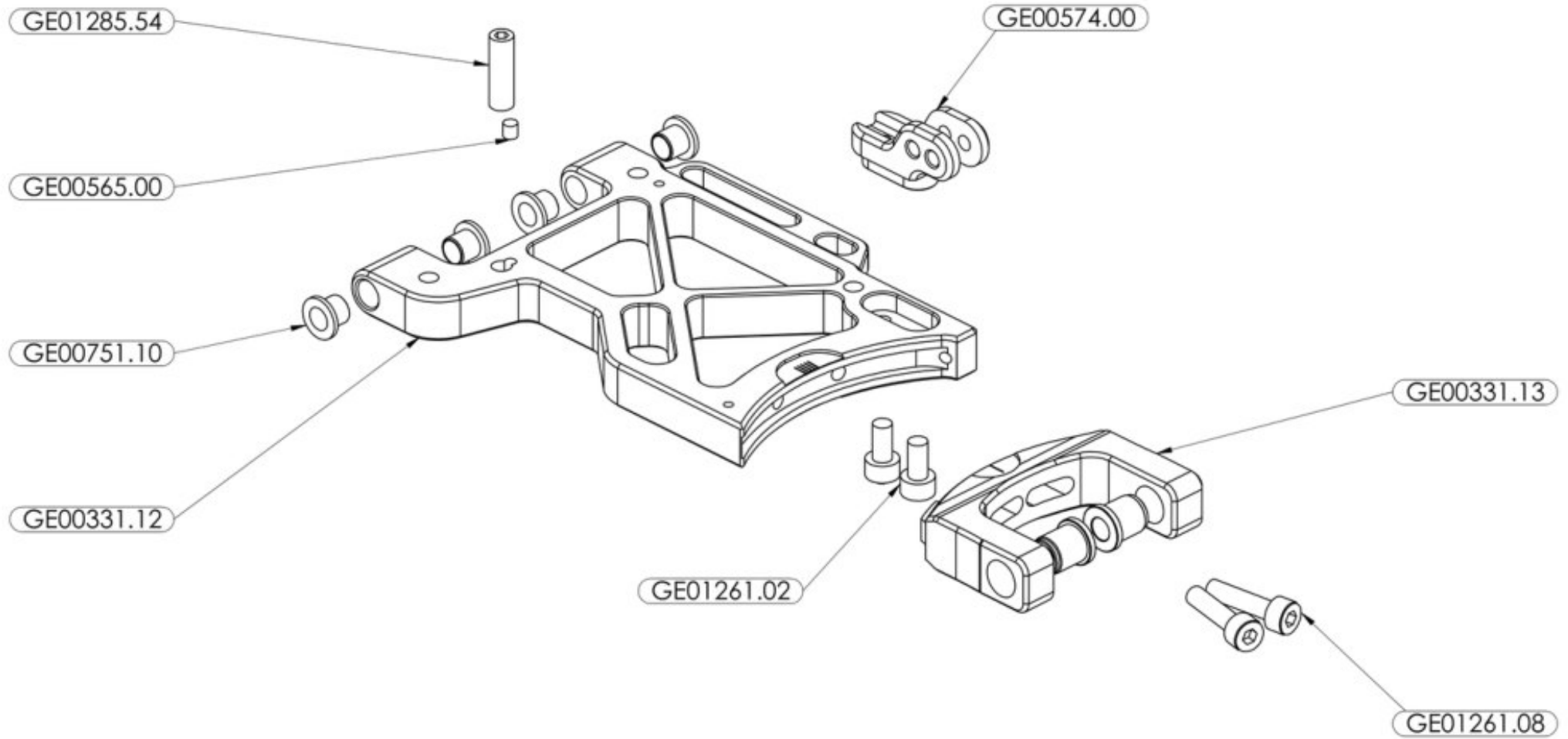


3. REAR SUSPENSION ASSEMBLY WITH STEERING TURNBUCKLE

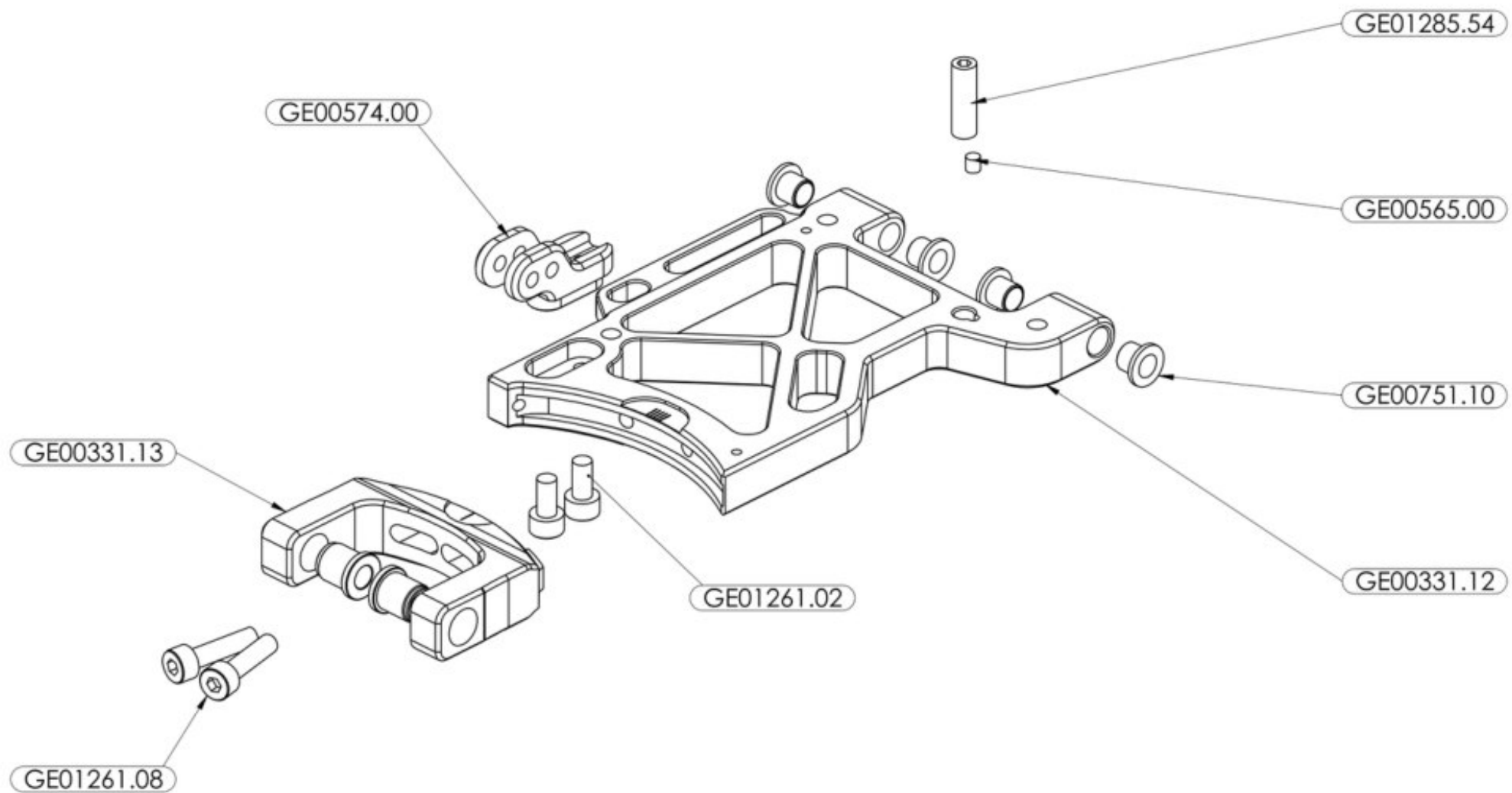
XR4.22



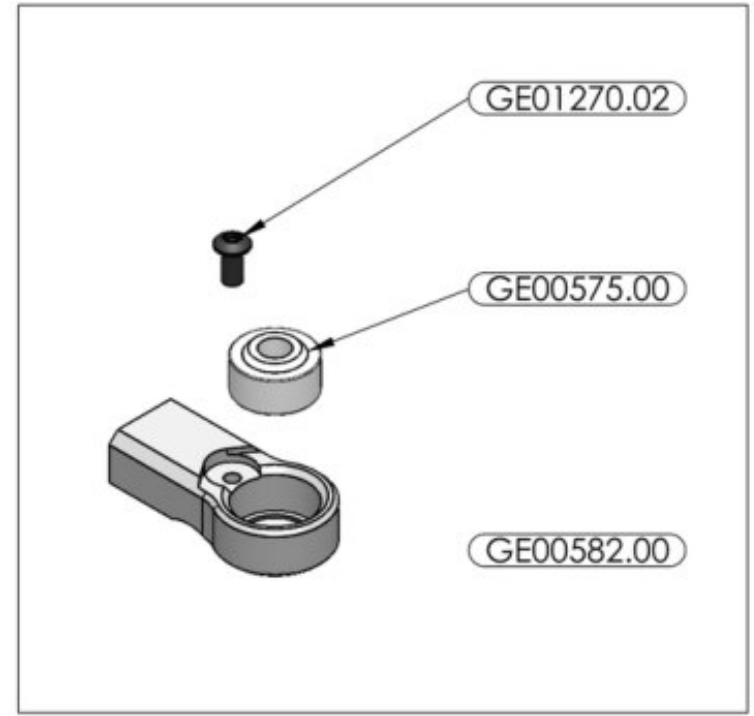
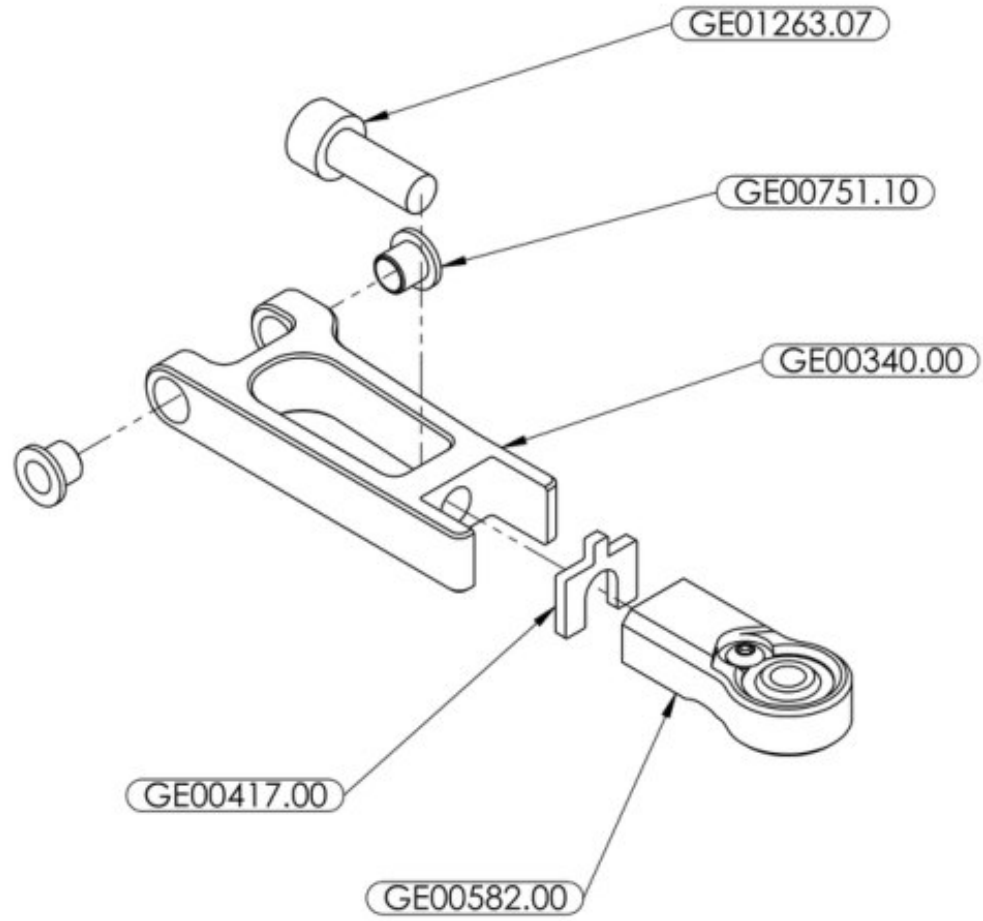
FASE 03.A



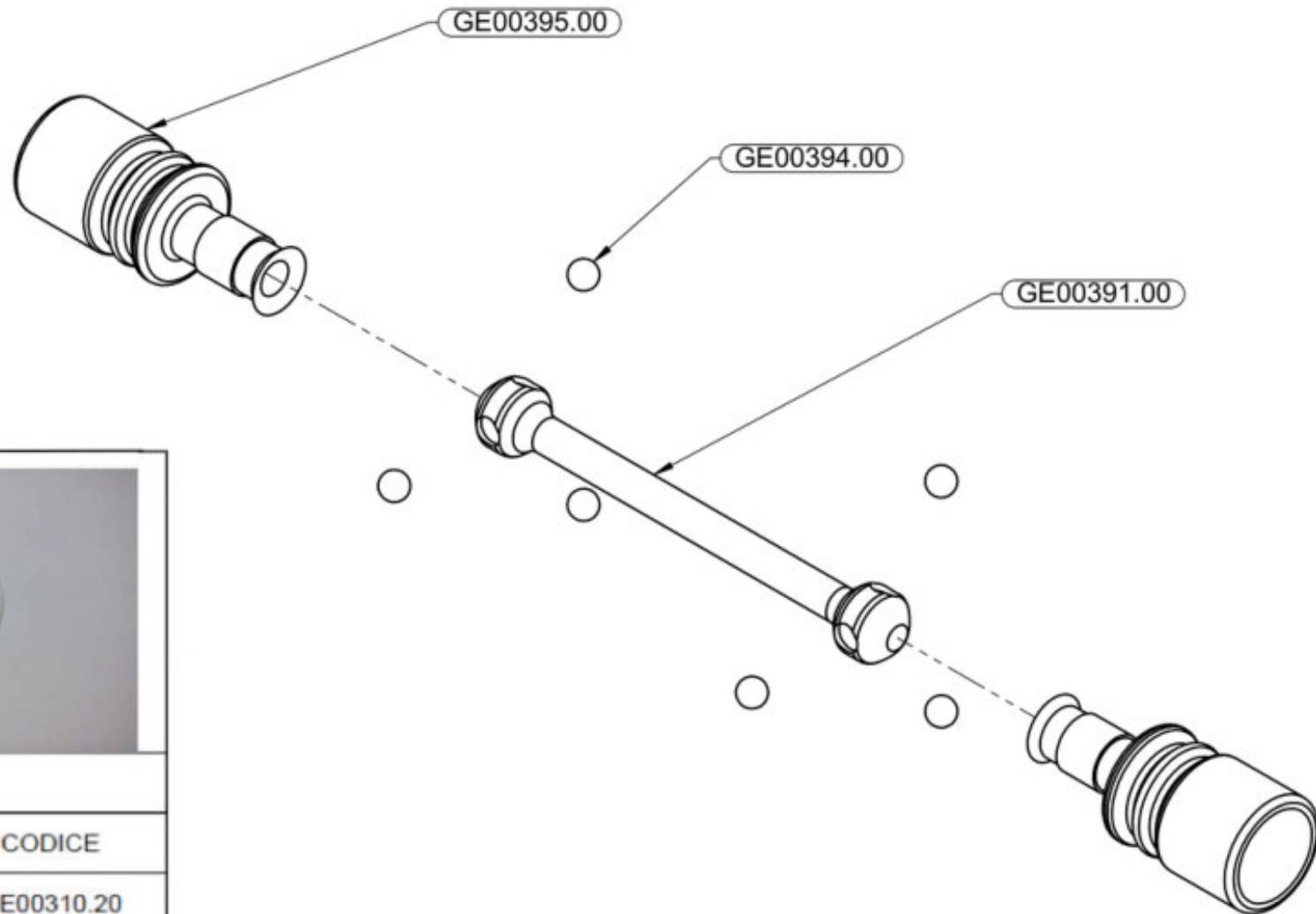
FASE 03.B



FASE 03.C

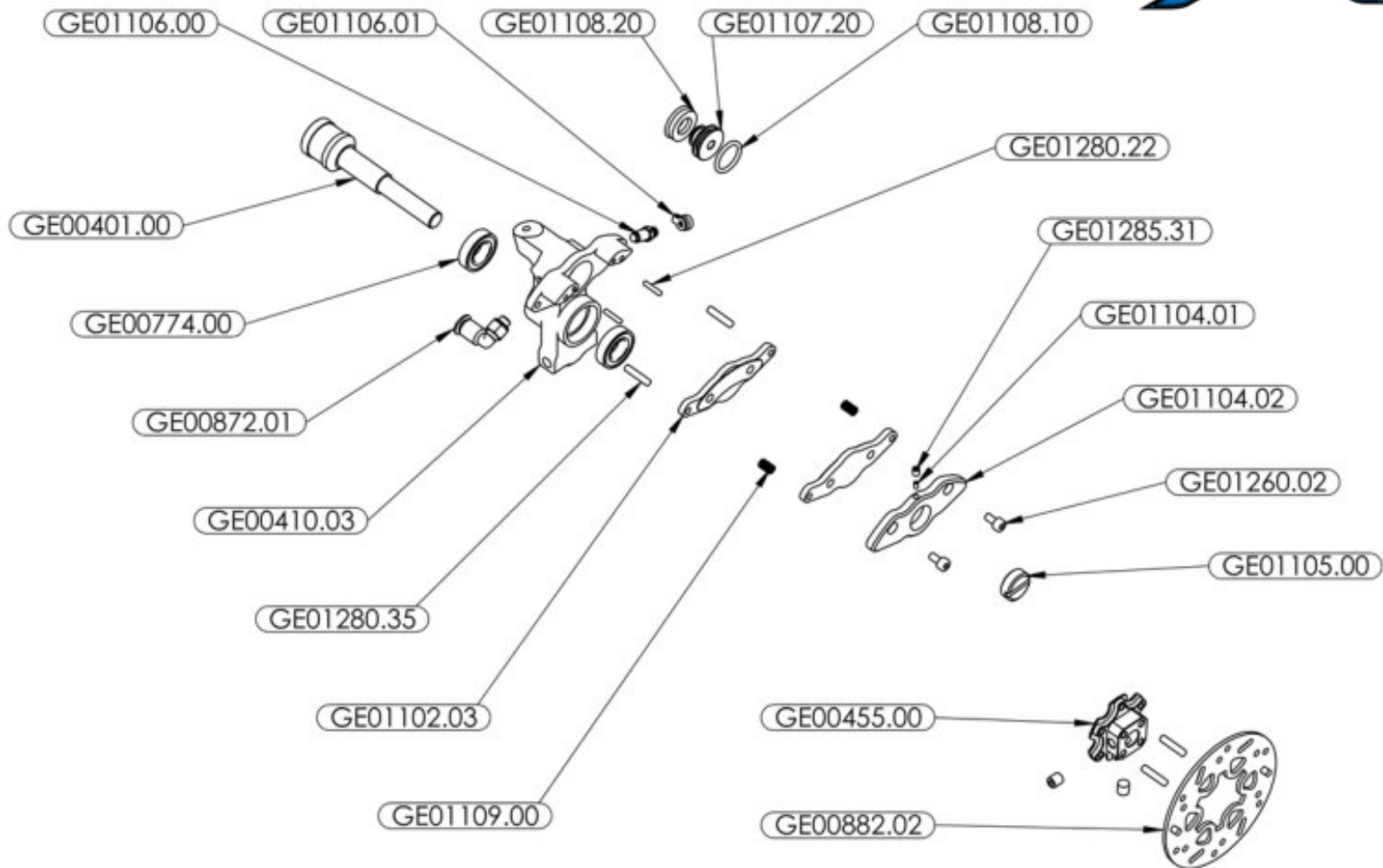


FASE 03.D



	
DESCRIZIONE	CODICE
GRASSO TRASMISSIONE	GE00310.20

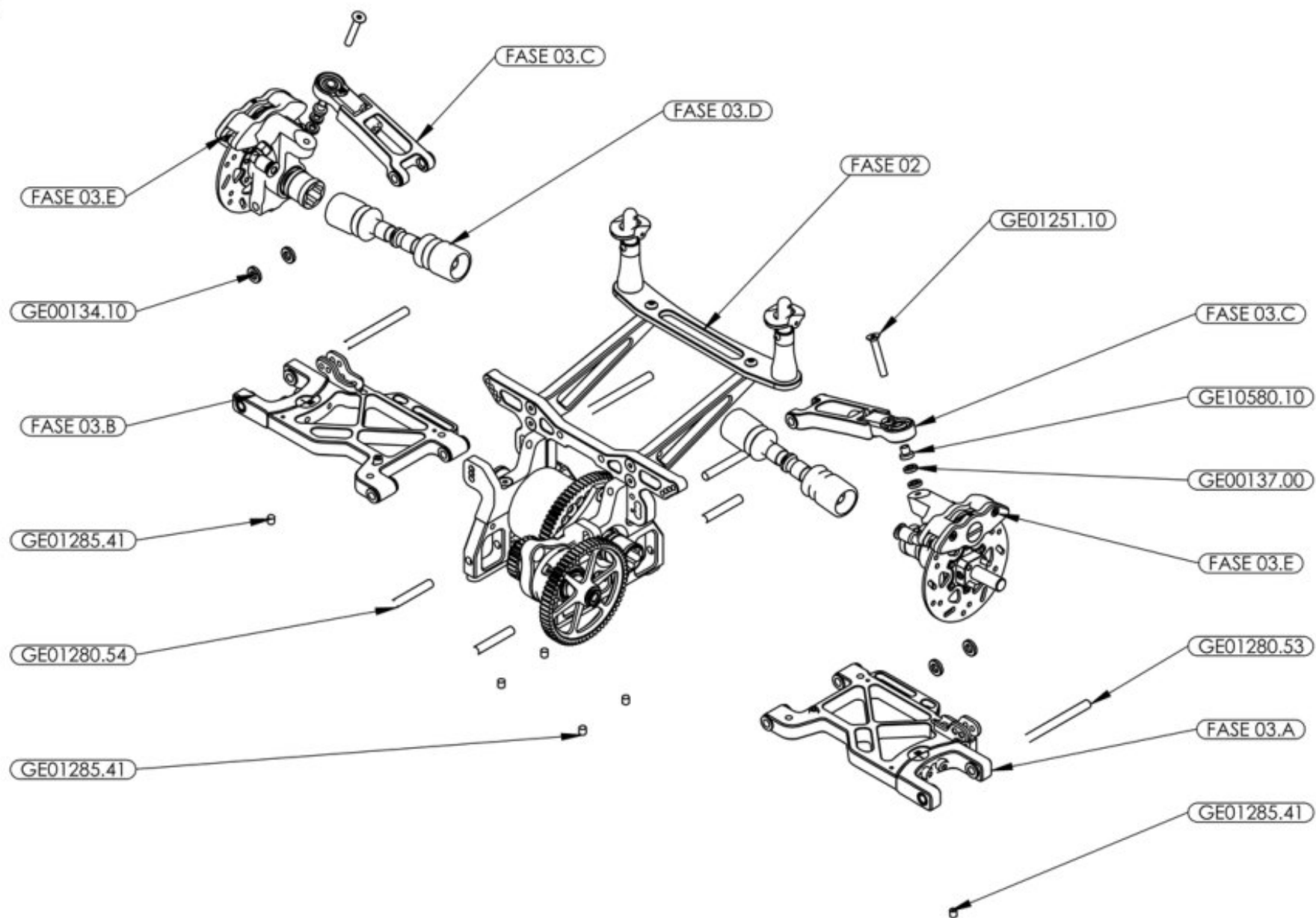
FASE 03.E



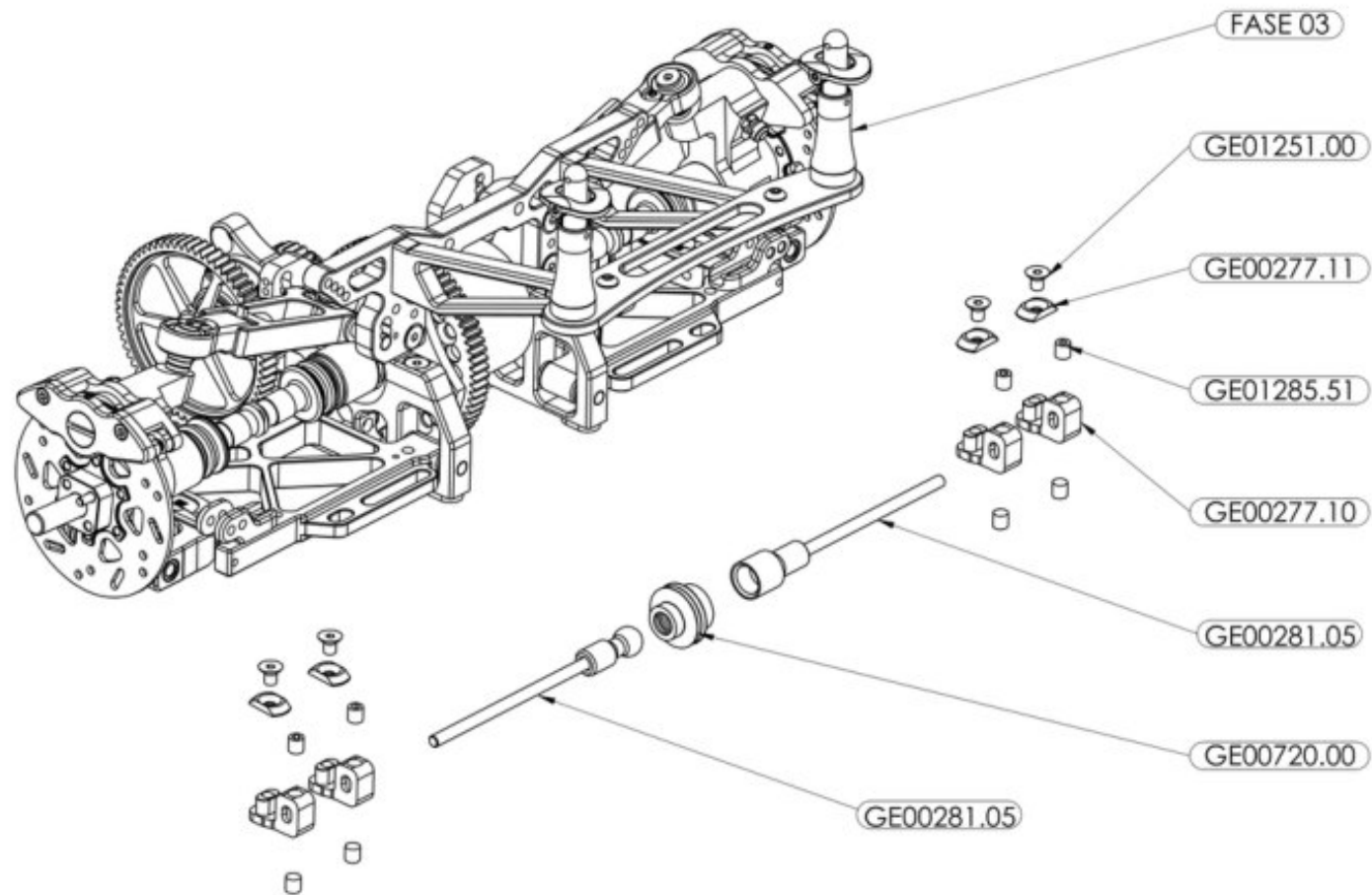
OPZIONE ASSE SINISTRO



GE00401.10

FASE 03

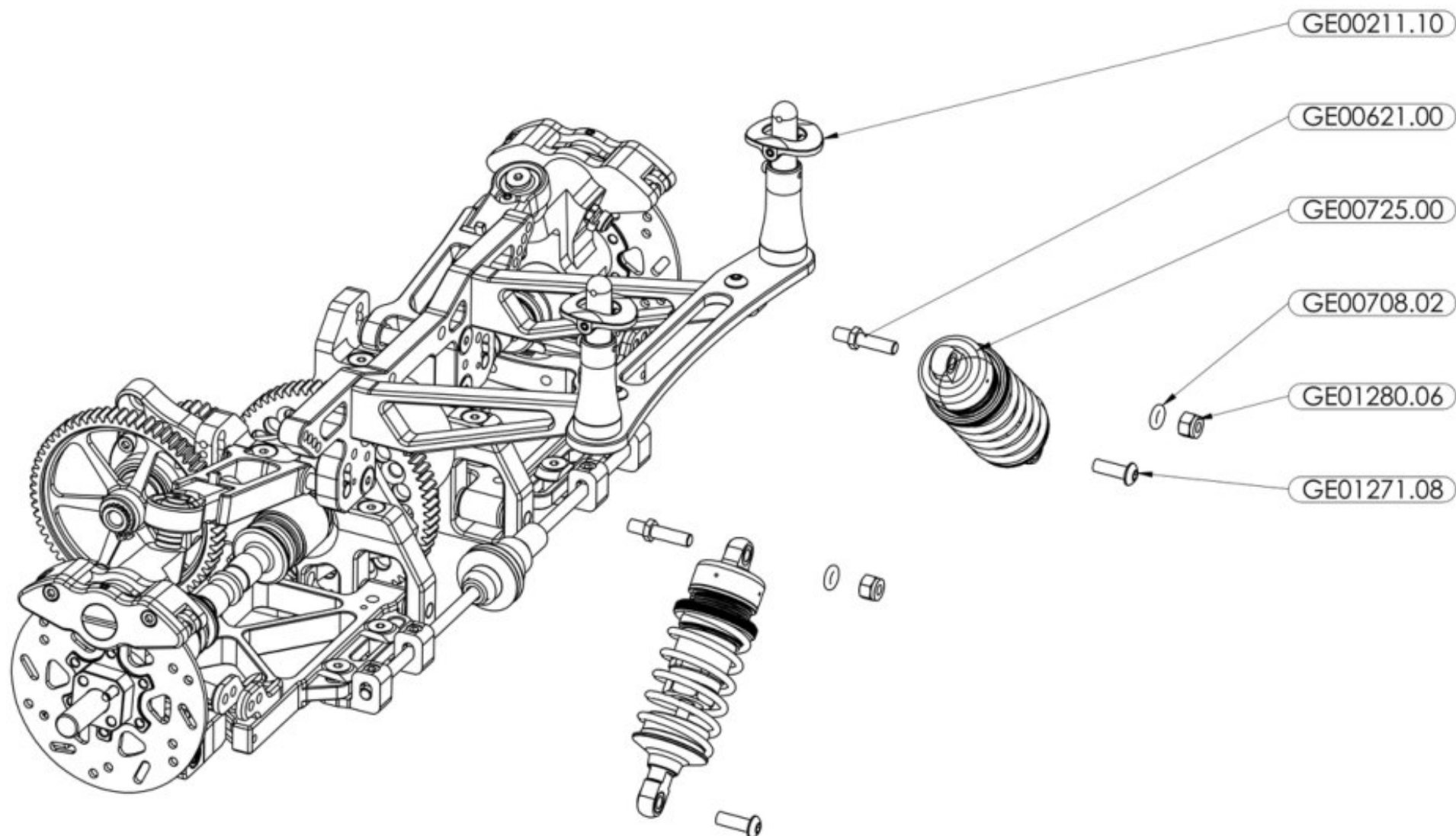


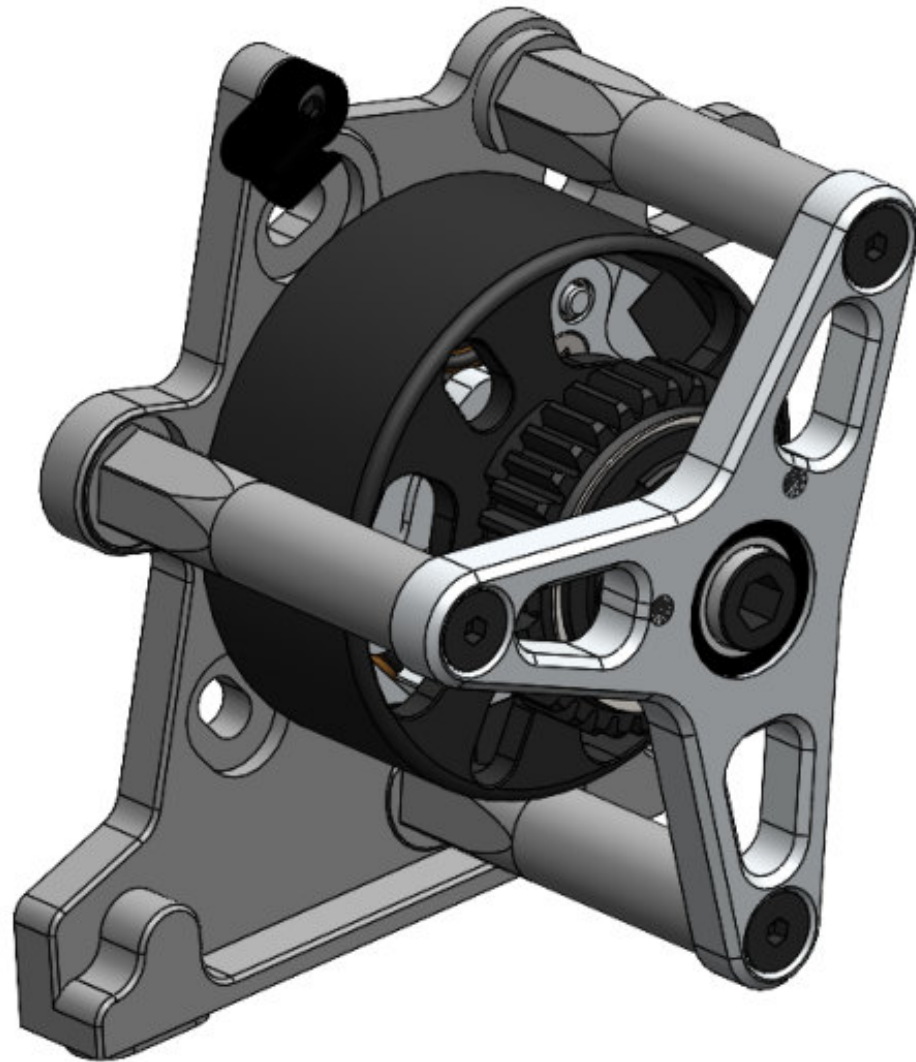
FASE 04.A



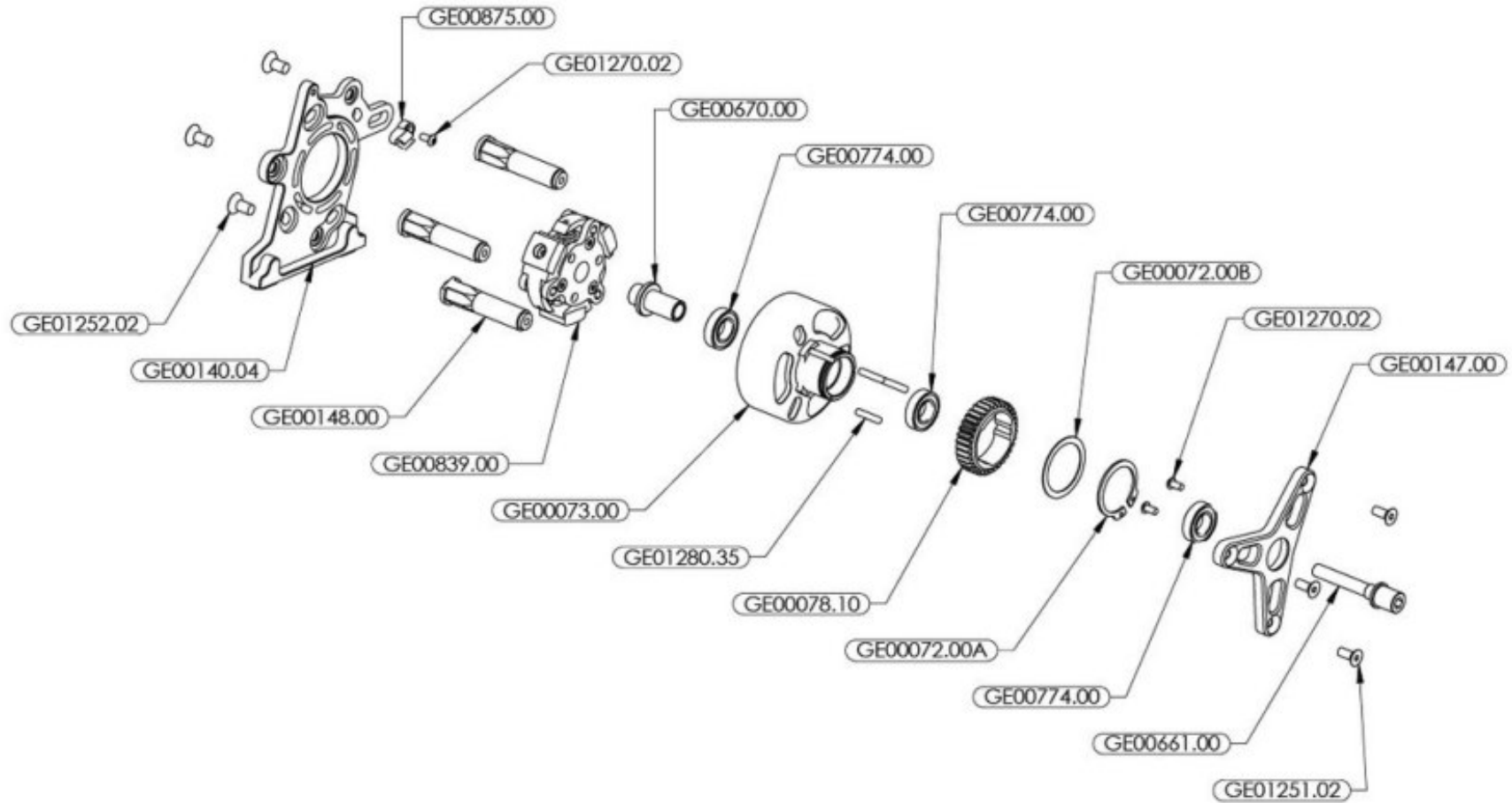
			
optional parts		optional parts	
DESCRIPTION	CODE	DESCRIPTION	CODE
COMBO BARRA TORSIONE Ø4.5	GE00281.15	SUPPORTO BARRA POST Ø4.5	GE00277.15
		SUPPORTO BARRA POST Ø5	GE00277.18

FASE 04.B





FASE 05

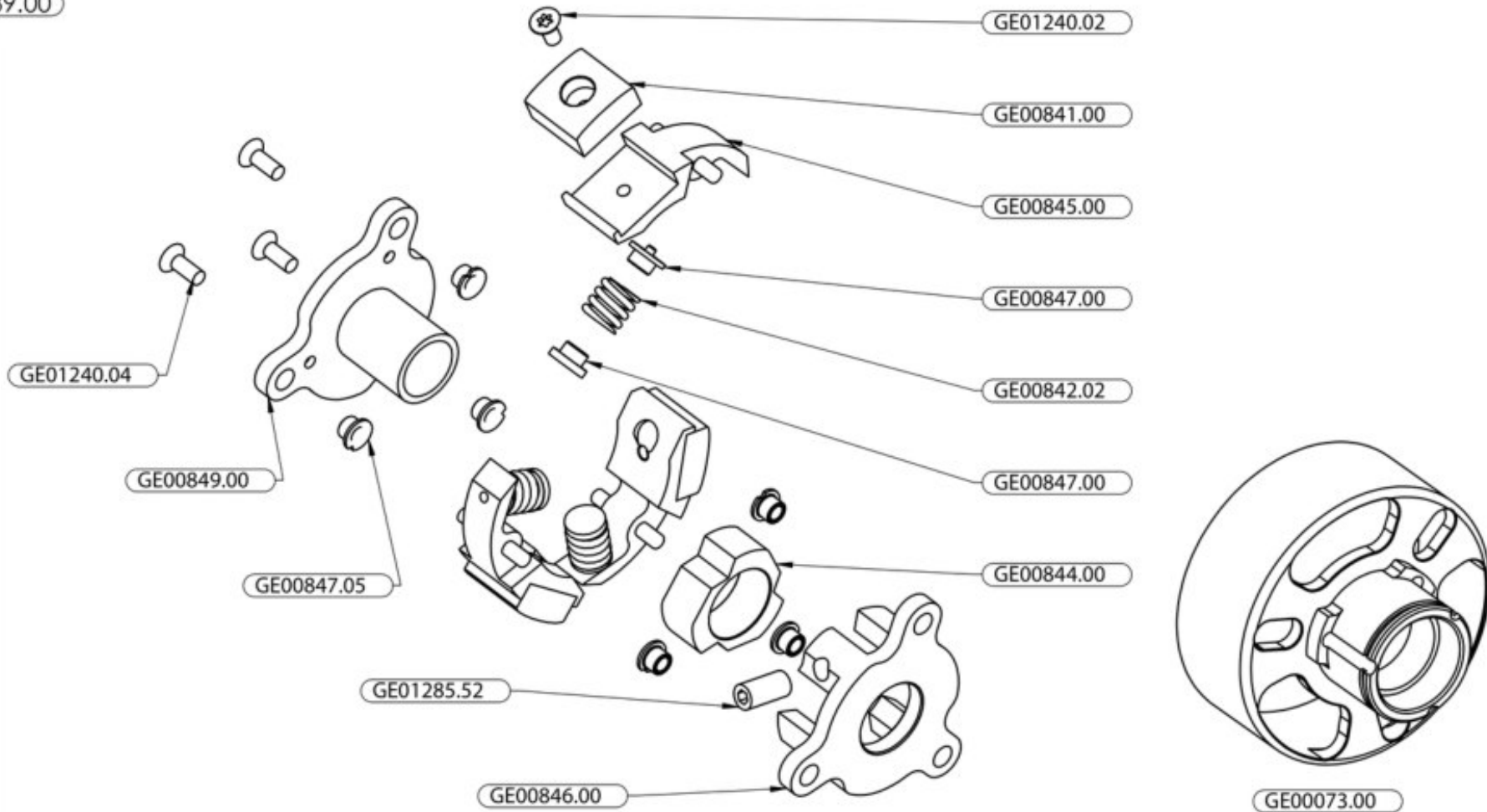


optional parts



CODICE	DESCRIZIONE
GE00074.10	INGRANAGGIO Z 35 M1
GE00075.10	INGRANAGGIO Z 36 M1
GE00076.10	INGRANAGGIO Z 37 M1
GE00077.15	INGRANAGGIO Z 32 M1
GE00077.20	INGRANAGGIO Z 33 M1
GE00078.10	INGRANAGGIO Z 34 M1

GE00839.00



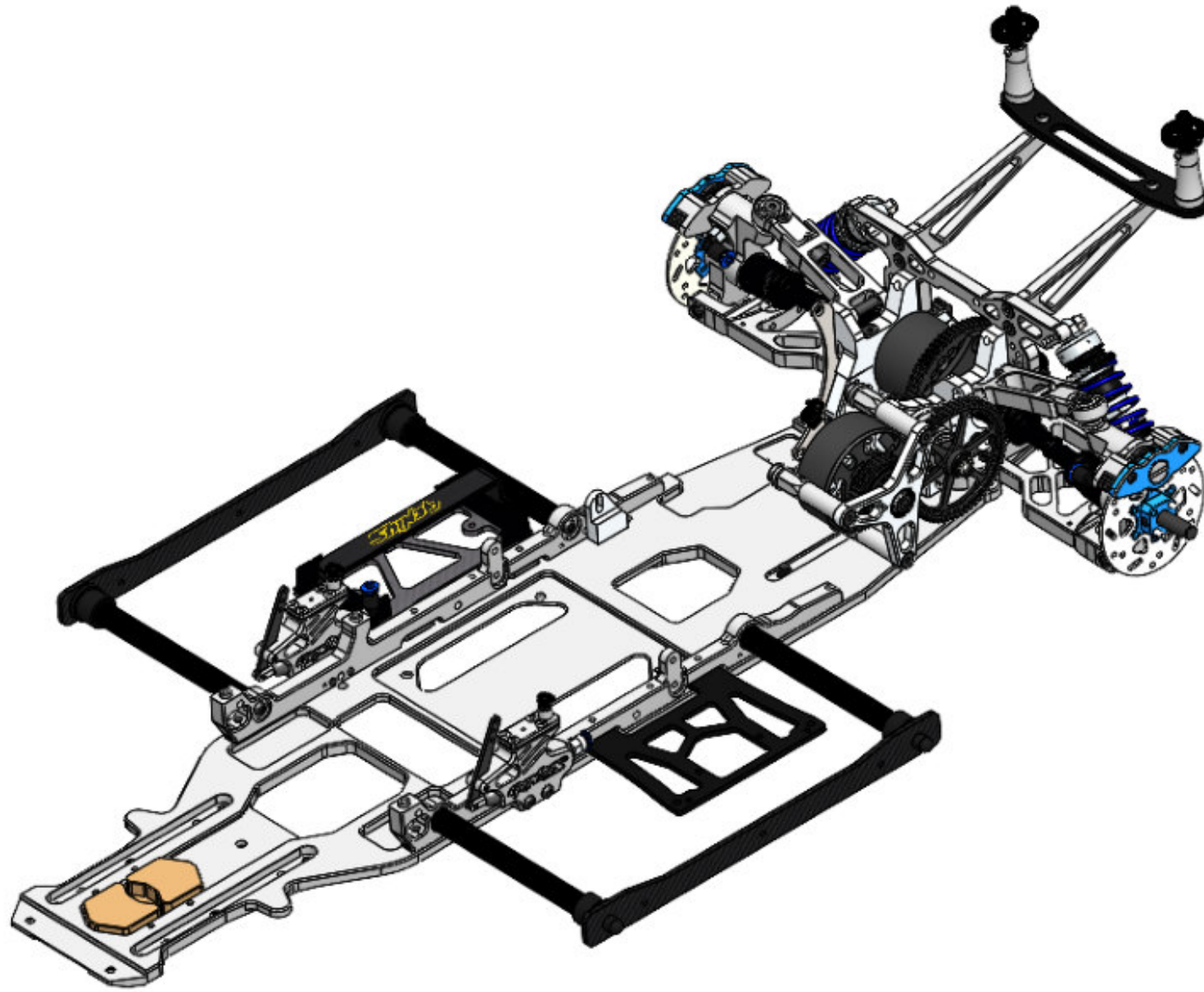
optional parts	
DESCRIPTION	CODE
CEPPO FRIZIONE FERODO	GE00841.00
CEPPO FRIZIONE ALLUMINIO	GE00841.03

optional parts	
DESCRIPTION	CODE
MOLLA FRIZIONE CEPPI 1.4mm	GE00842.02
MOLLA FRIZIONE CEPPI 1.5mm	GE00842.01

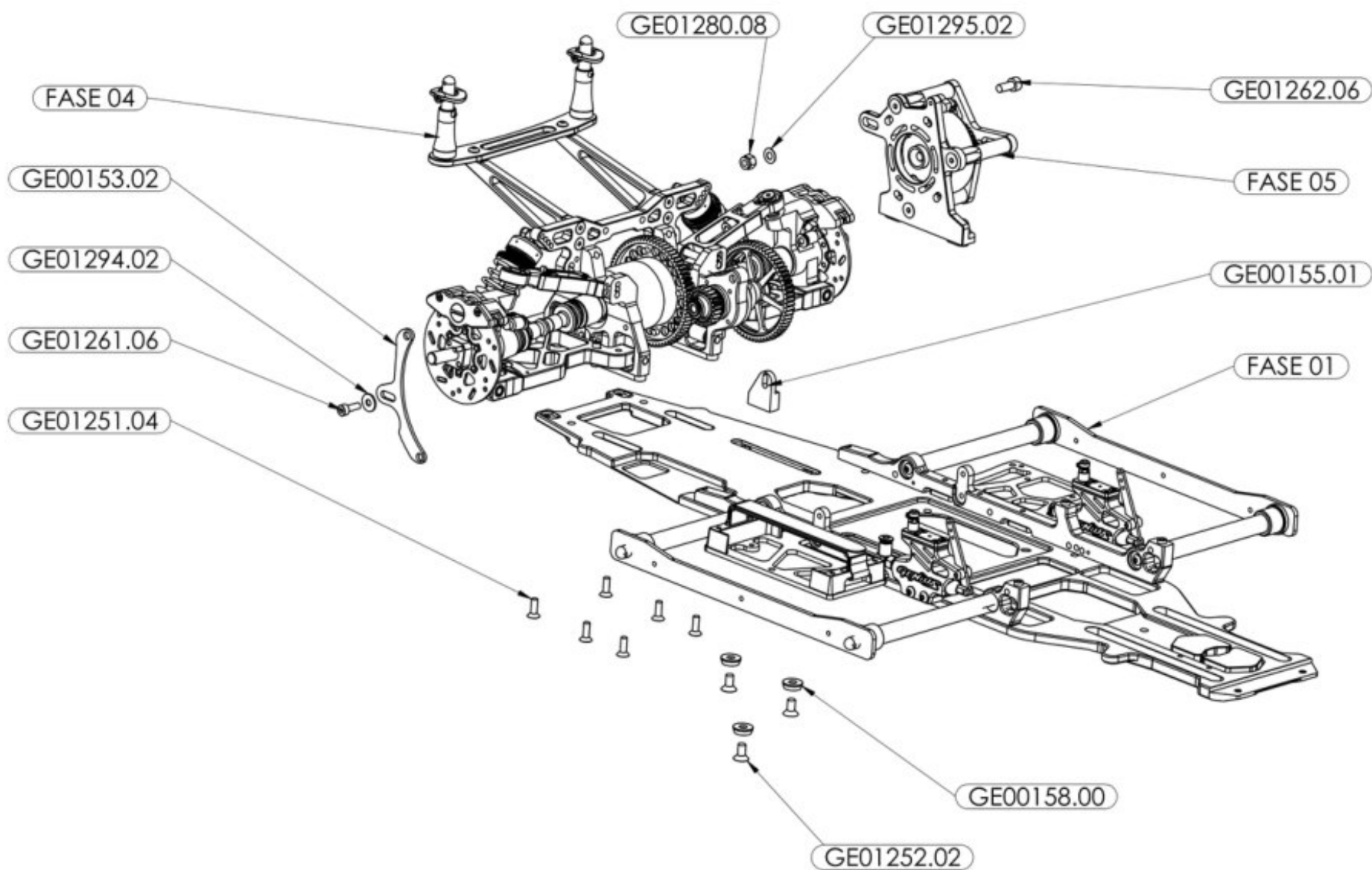
optional parts	
DESCRIPTION	CODE
ELEMENTI CEPPO INCOLLATI	GE00841.01

5. REAR SUSPENSION ASSEMBLY WITH CHASSIS

XR4.22

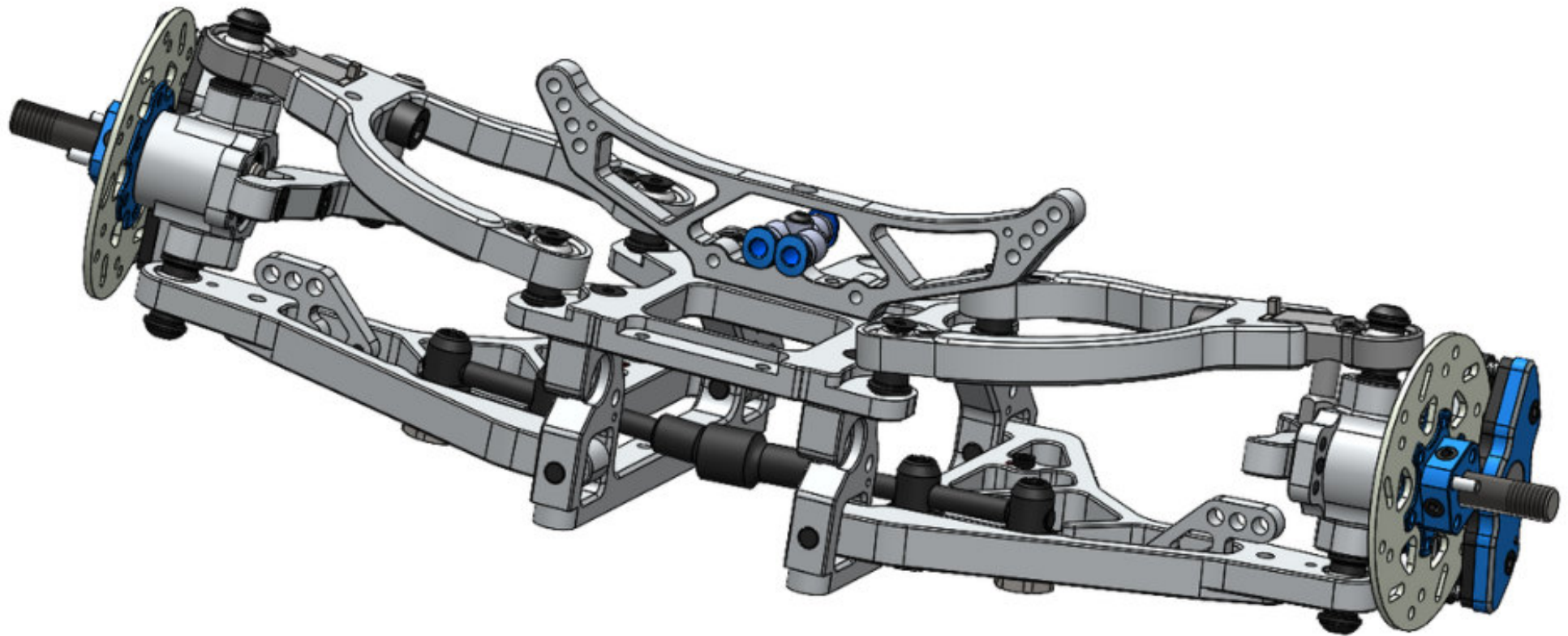


FASE 06

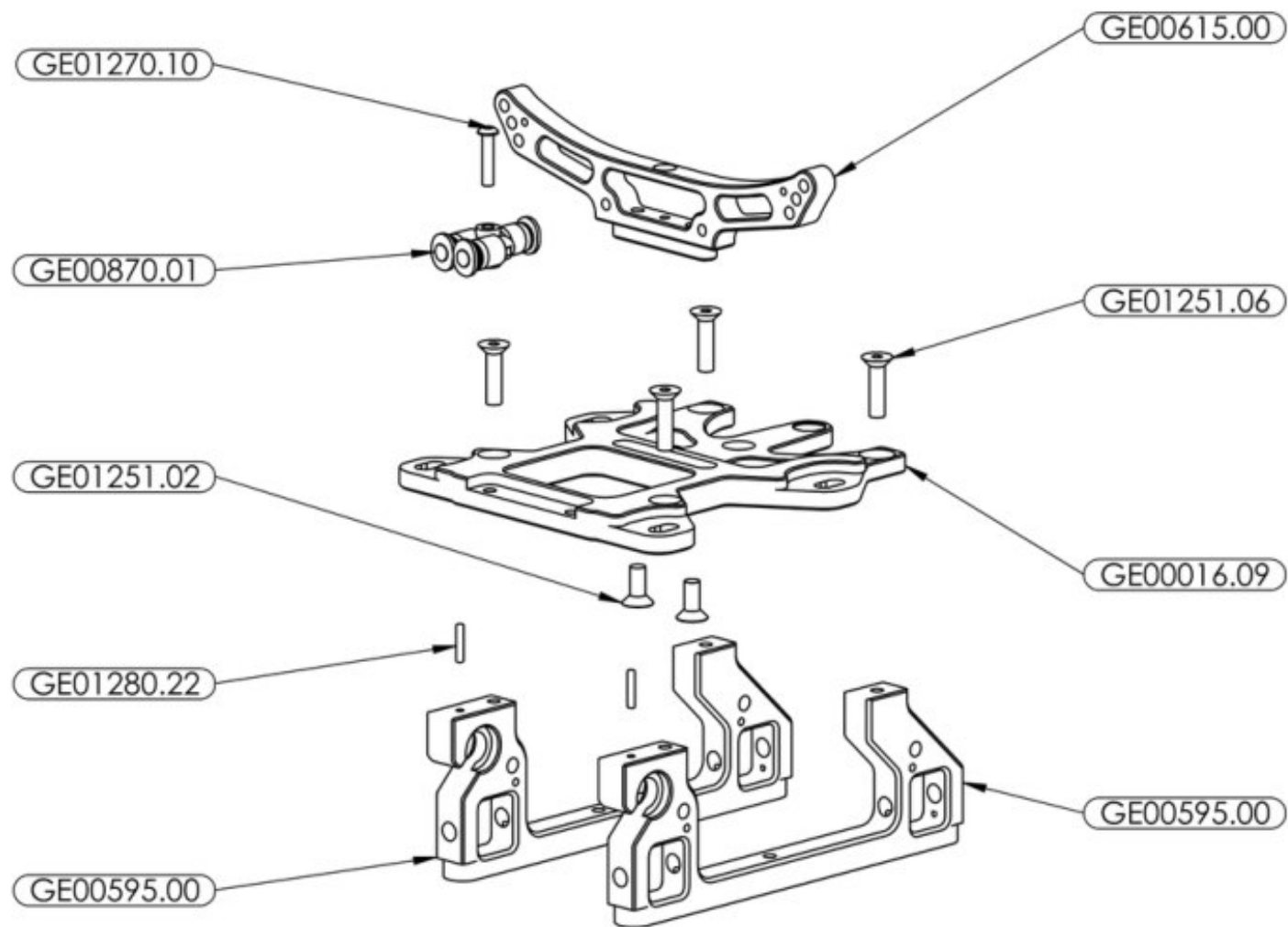


6. FRONT SUSPENSION ASSEMBLY

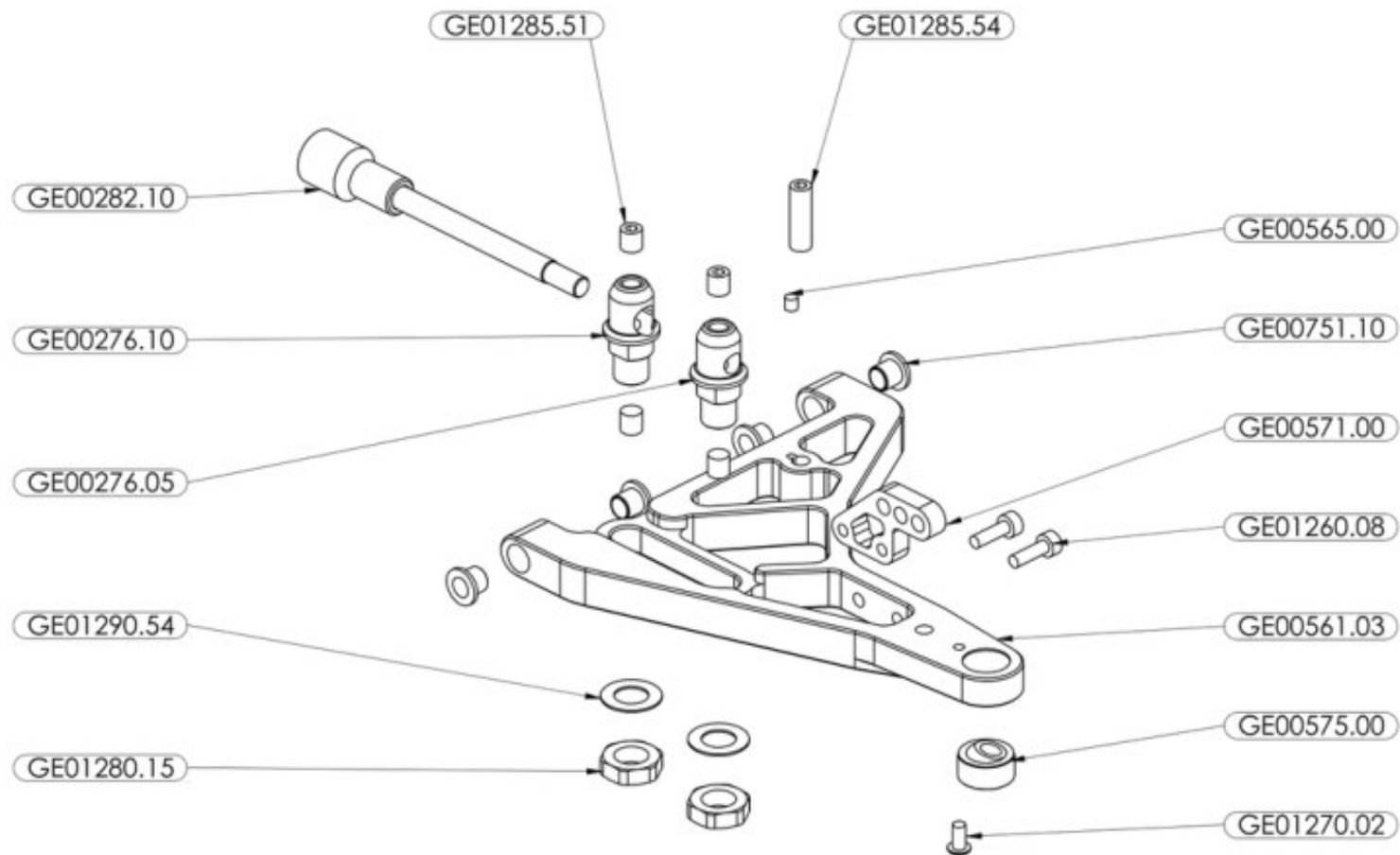
XR4.22





FASE 07.A

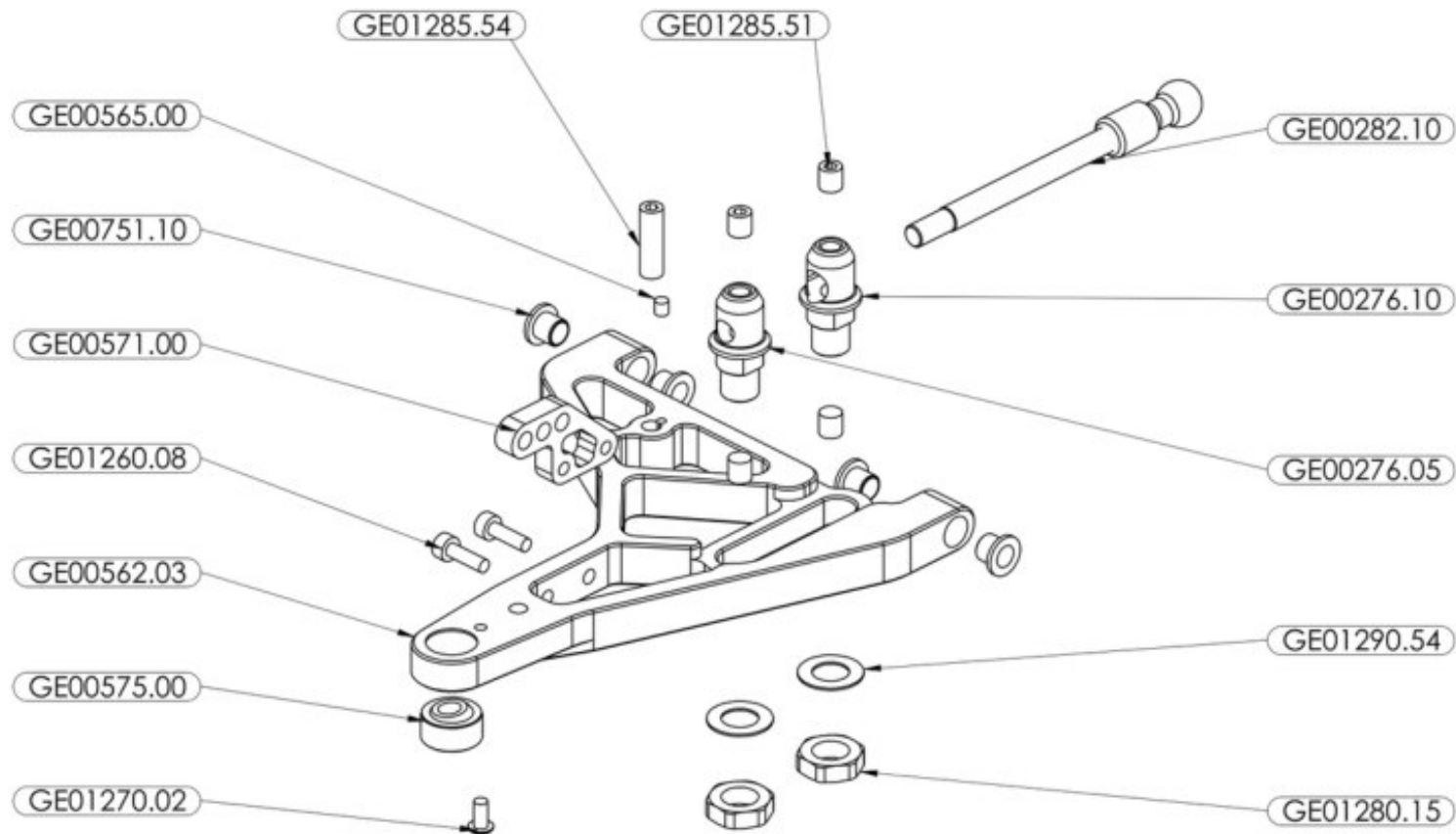




FASE 07.B



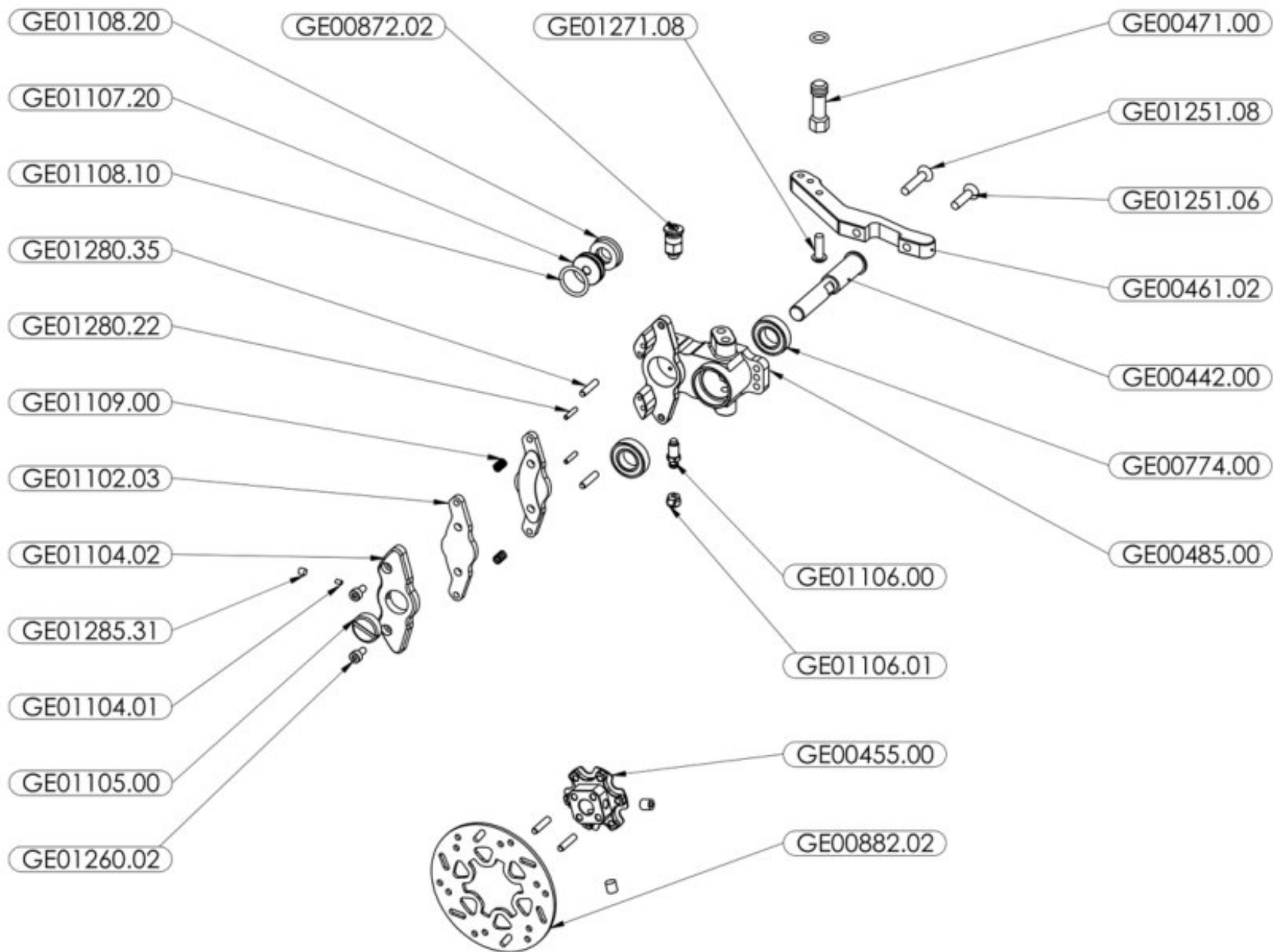
			
optional parts		optional parts	
DESCRIPTION	CODE	DESCRIPTION	CODE
BARRA TORSIONE COMBO Ø6	GE00283.10	CILINDRO BARRA TORSIONE Ø6	GE00276.20

FASE 07.C

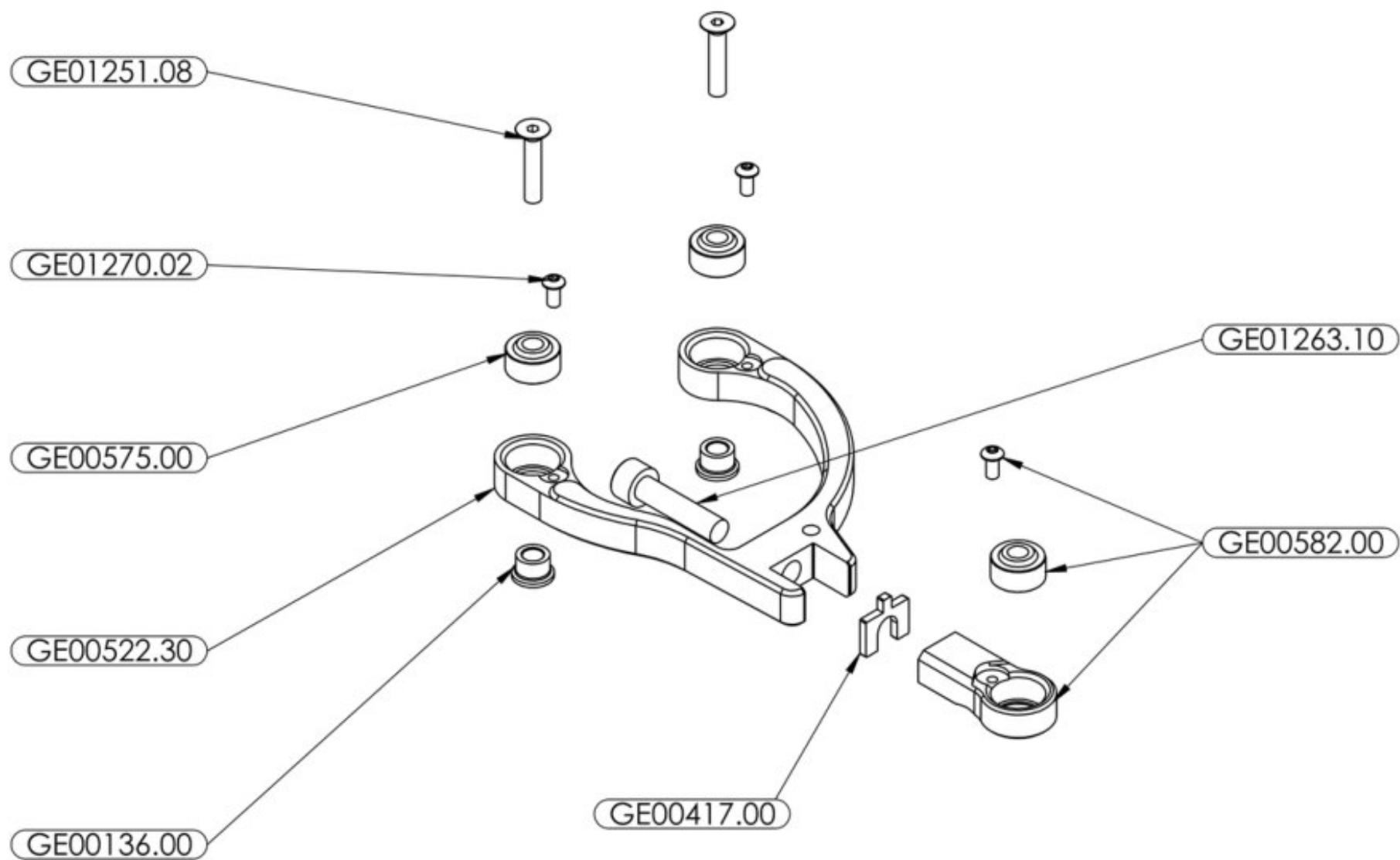


			
optional parts		optional parts	
DESCRIPTION	CODE	DESCRIPTION	CODE
BARRA TORSIONE COMBO Ø6	GE00283.10	CILINDRO BARRA TORSIONE Ø6	GE00276.20

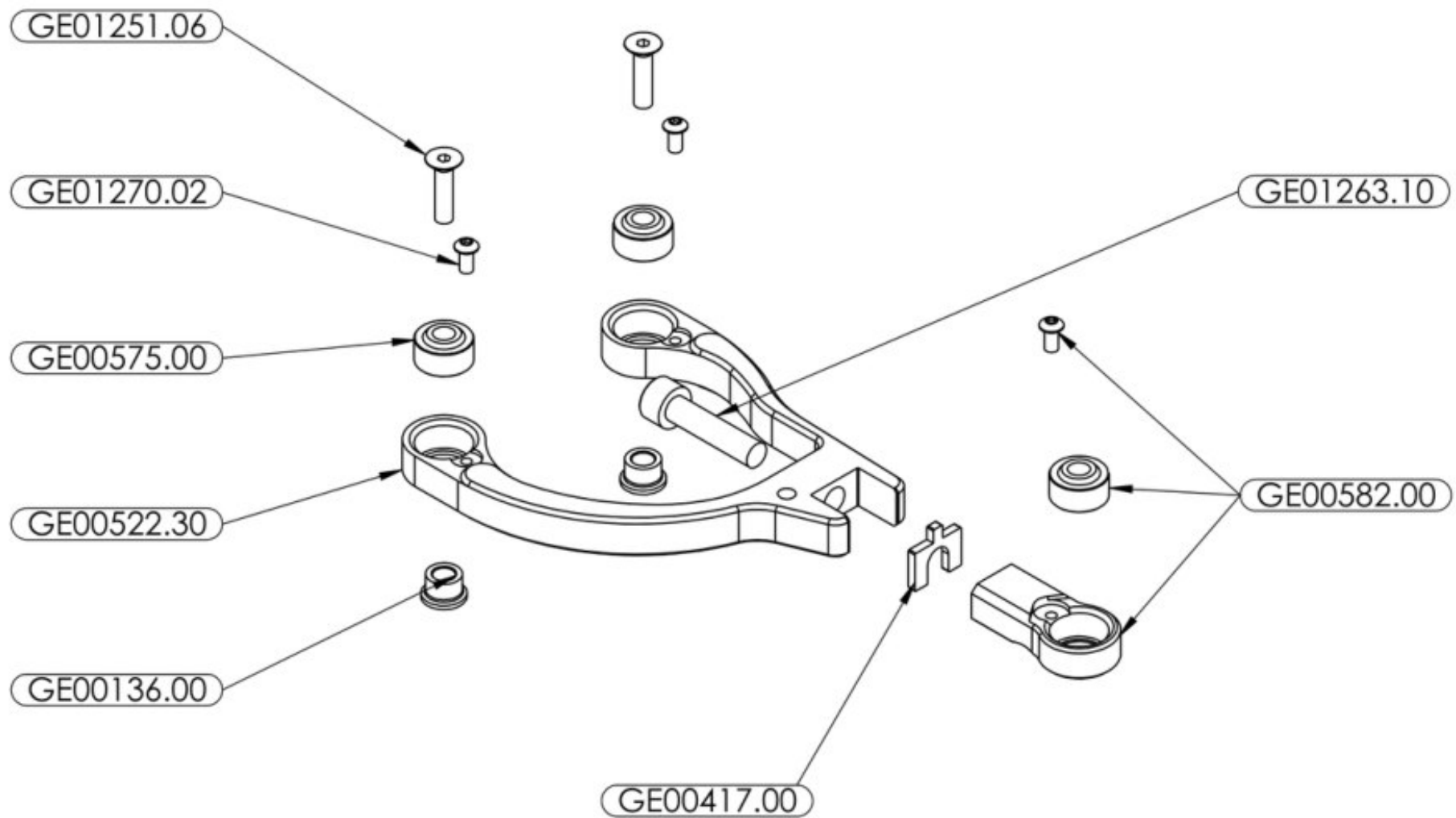
FASE 07.D



FASE 07.E

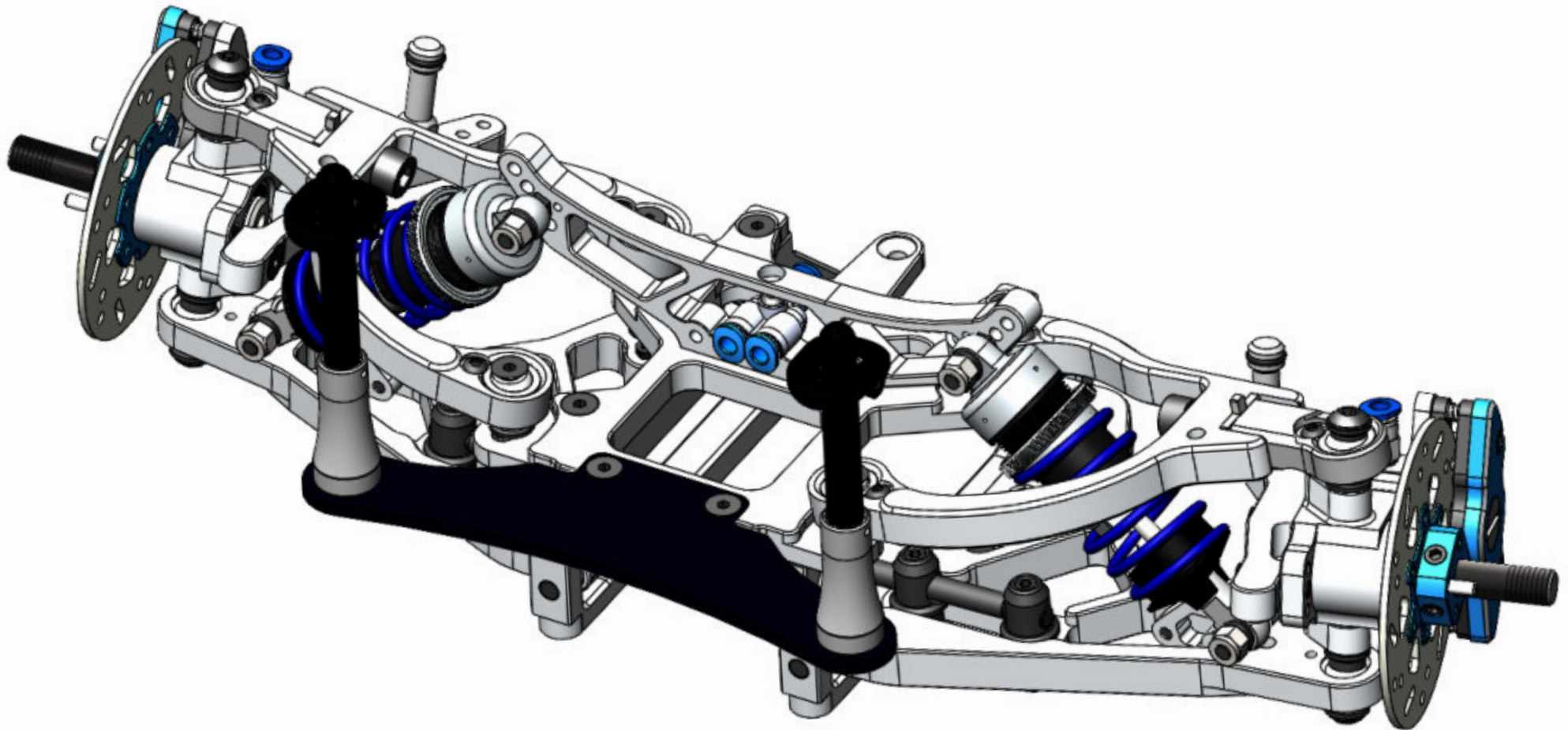


FASE 07.F

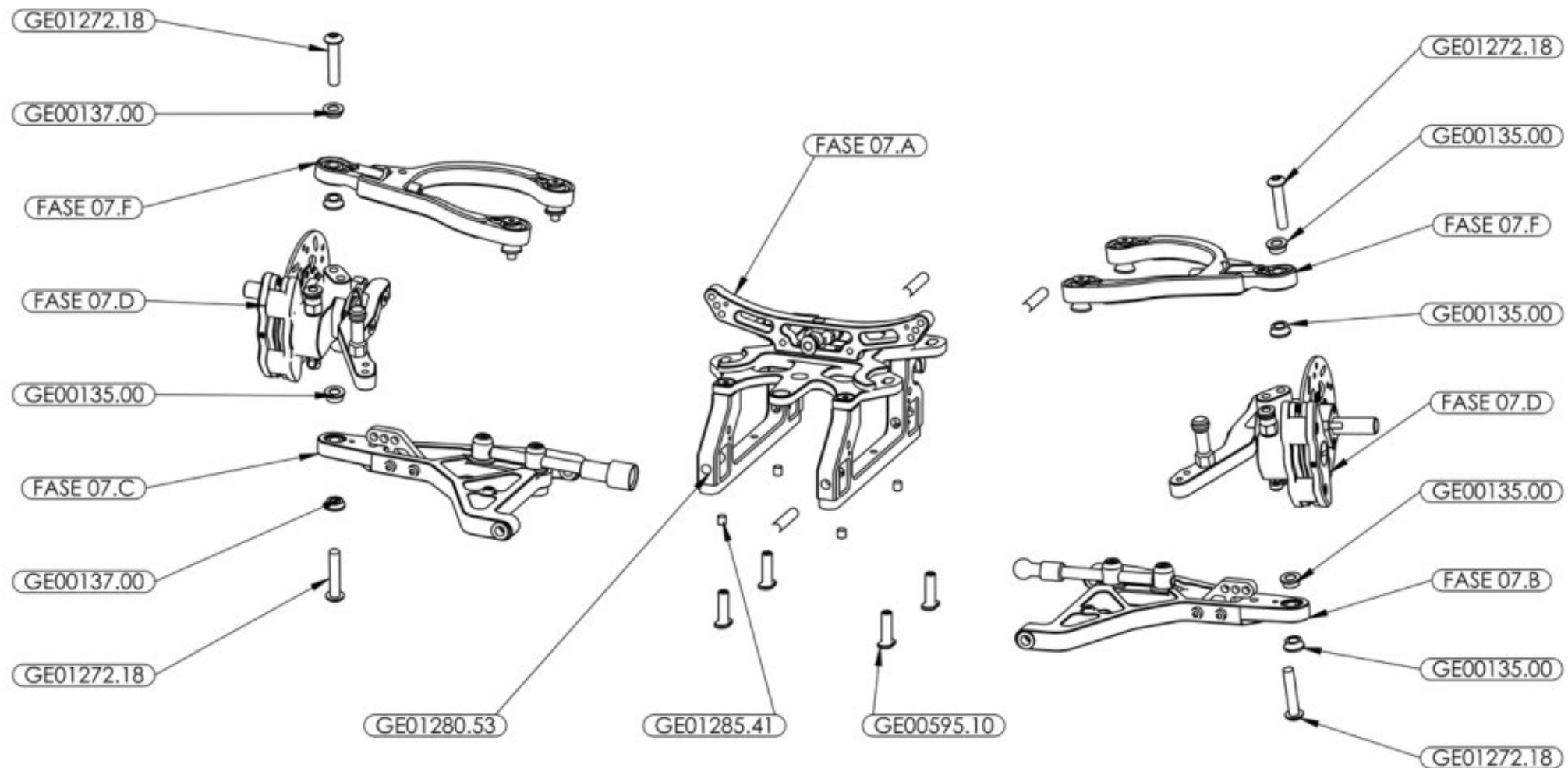


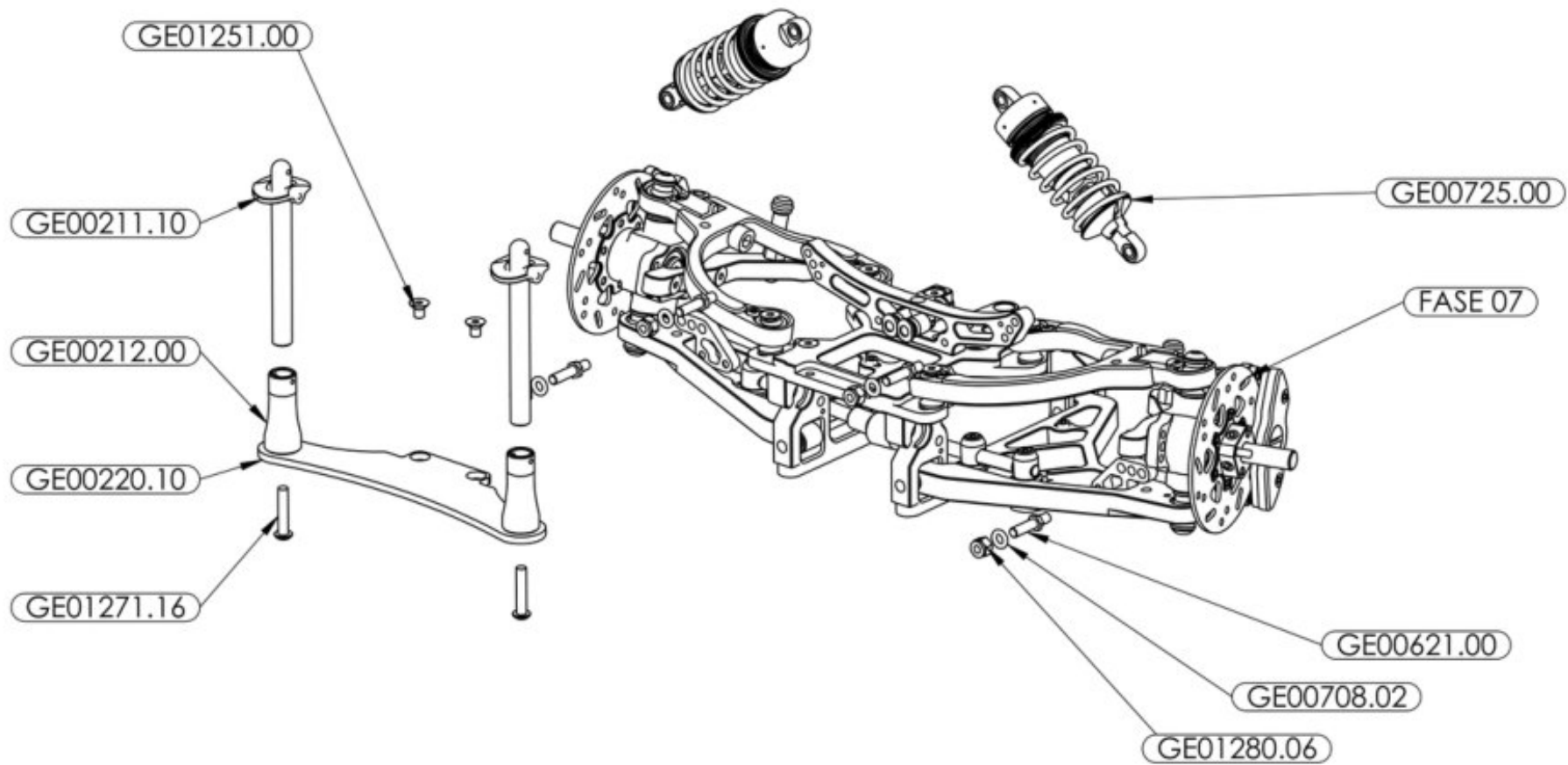
7. FRONT SUSPENSION ASSEMBLY WITH SHOCK ABSORBER

XR4.22



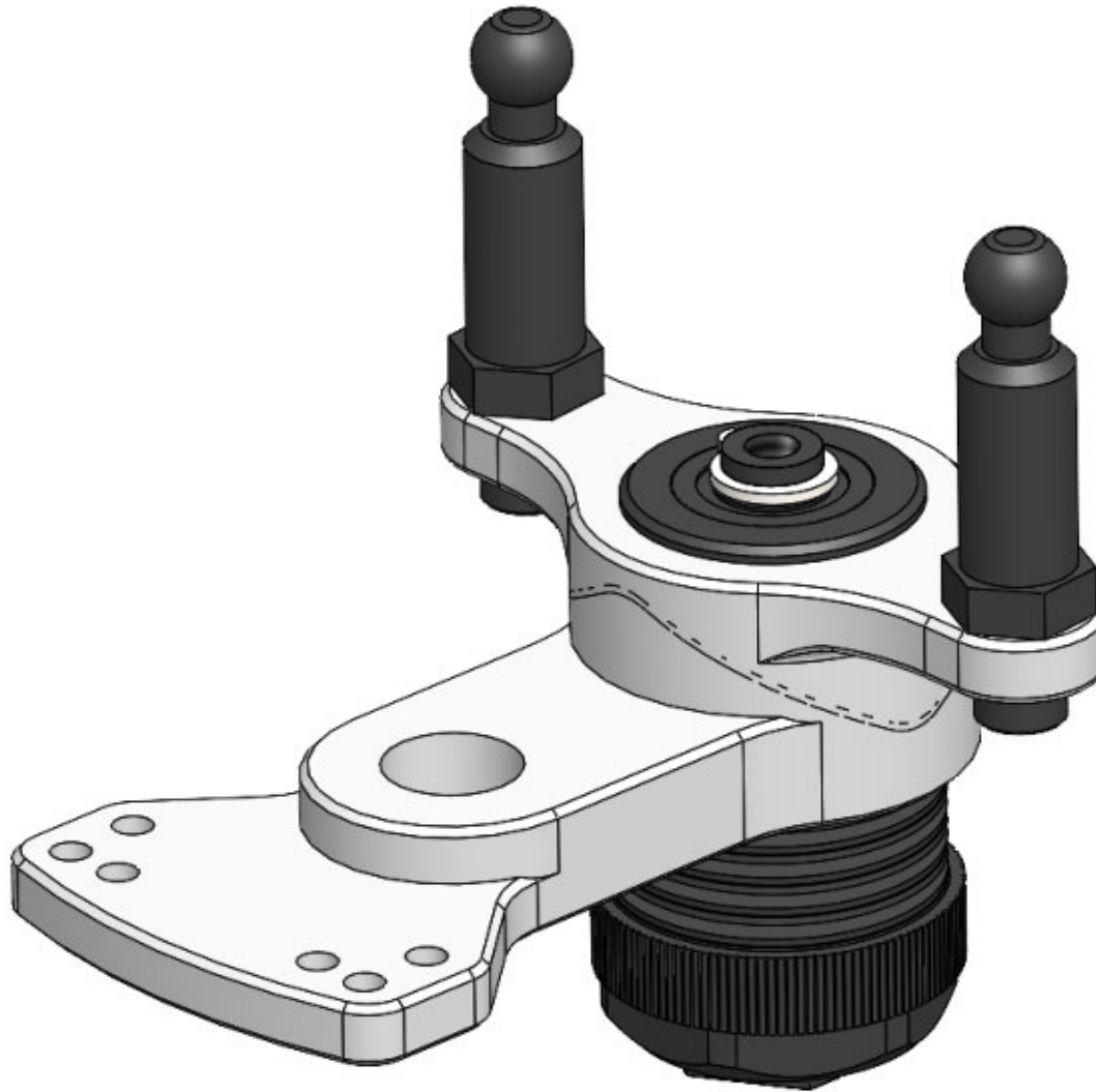
FASE 07






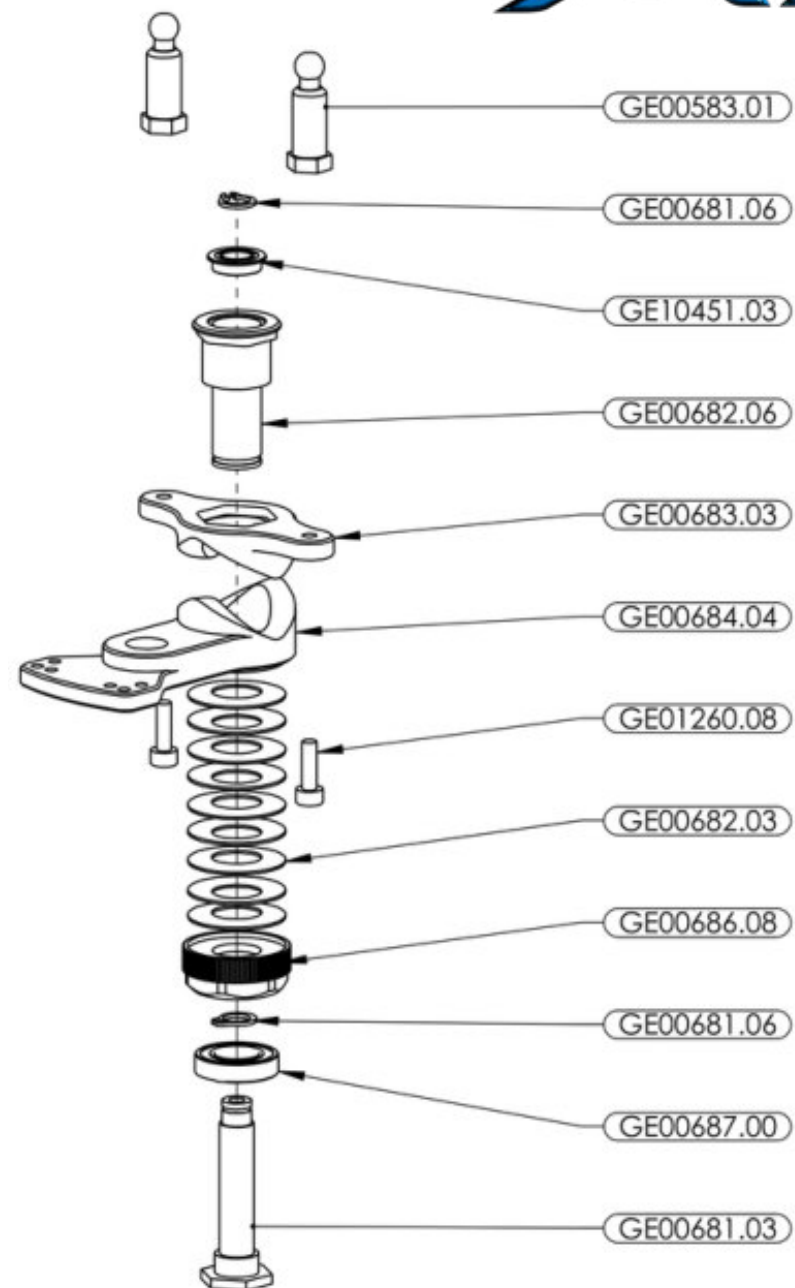
optional parts

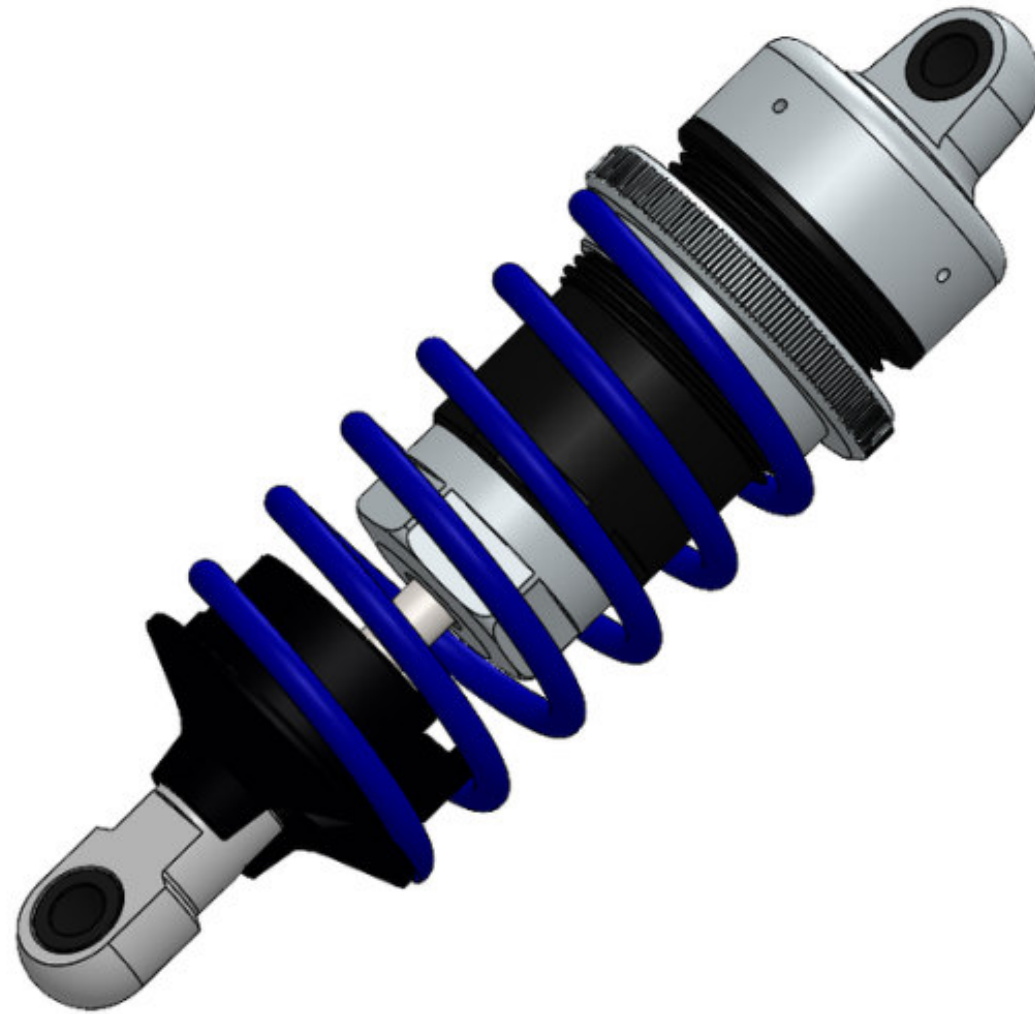
DESCRIPTION	CODE
SUPPORTO CARROZZERIA CARBONIO	GE00220.11

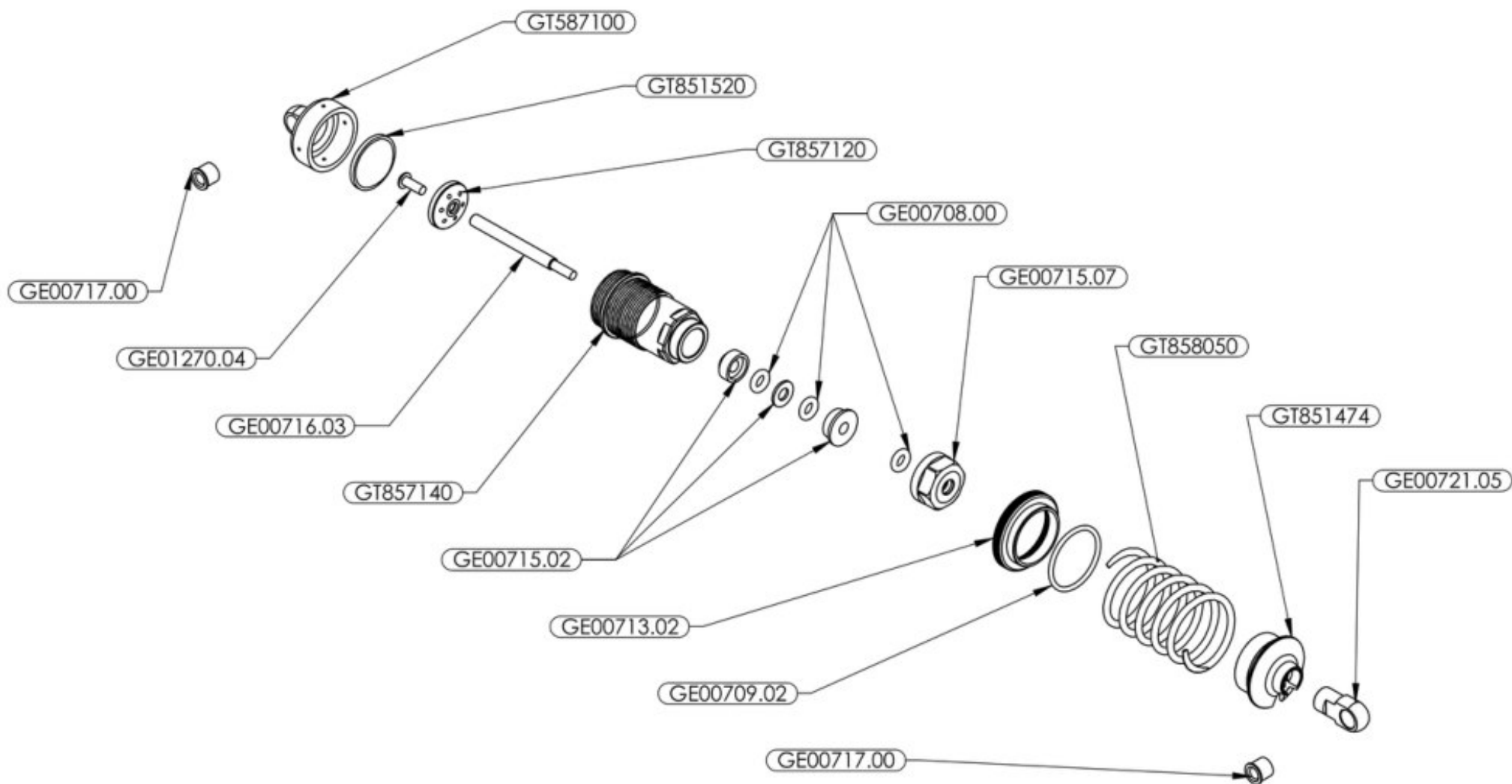




optional parts	
DESCRIZIONE	CODICE
SALVASERVO	GE00685.10





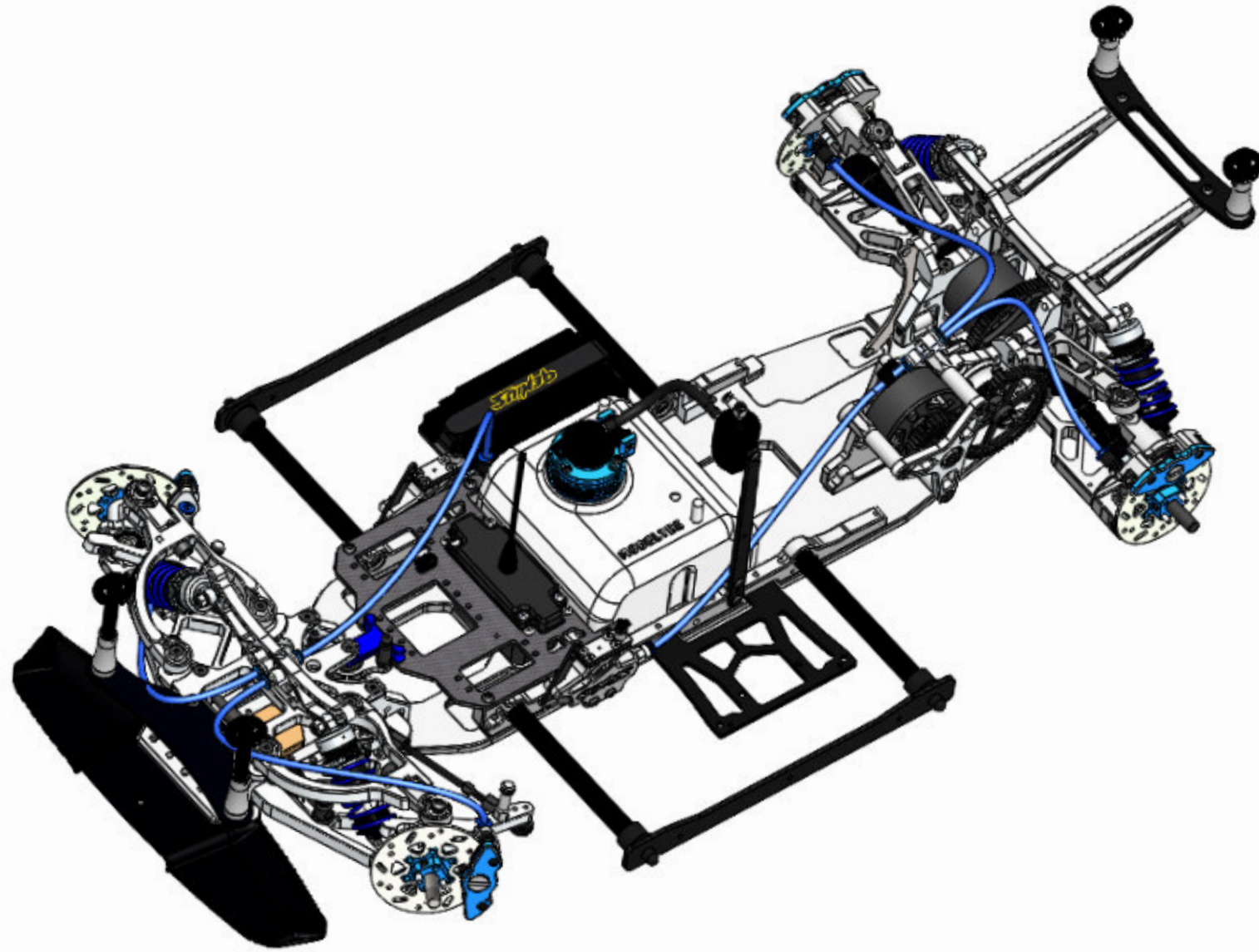


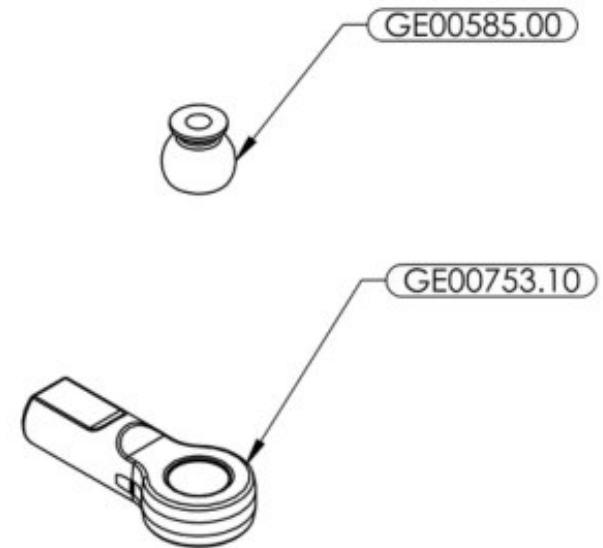
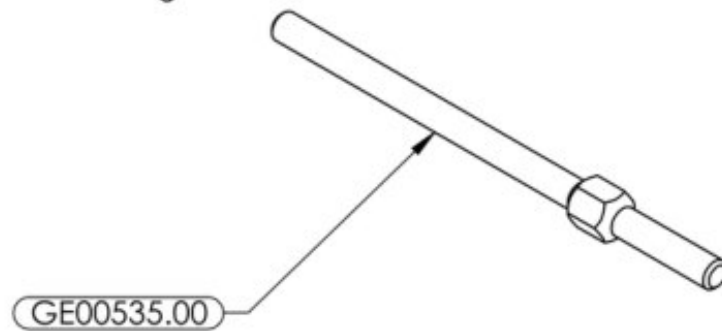
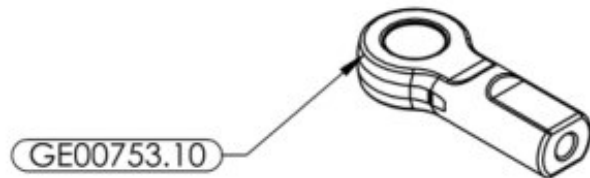
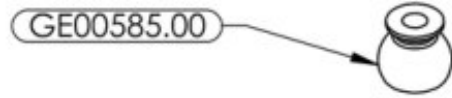
SPRINGS



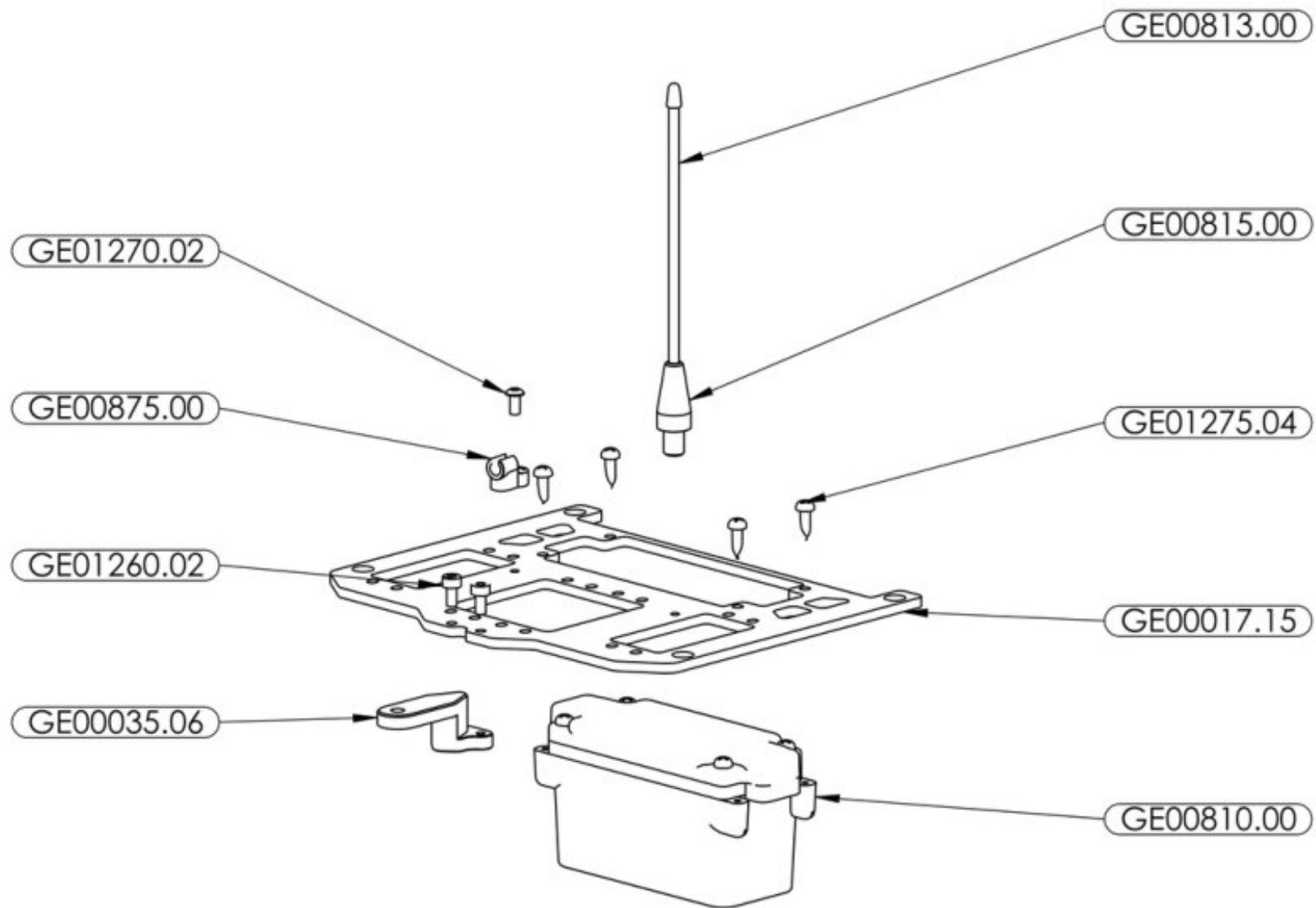
CODE	PRODUCT	PHOTO
GT858000	SHOCK SPRINGS SET	
GT858040	SHOCK SPRINGS BLACK - 4.0 COILS - HARD	
GT858045	SHOCK SPRINGS BLUE - 4.5 COILS - MEDIUM/HARD	
GT858050	SHOCK SPRINGS WHITE - 5.0 COILS - MEDIUM	
GT858055	SHOCK SPRINGS RED - 5.5 COILS - MEDIUM/SOFT	
GT858060	SHOCK SPRINGS YELLOW - 6.0 COILS - SOFT	
GT858065	SHOCK SPRINGS ORANGE - 6.5 COILS - SUPER SOFT	

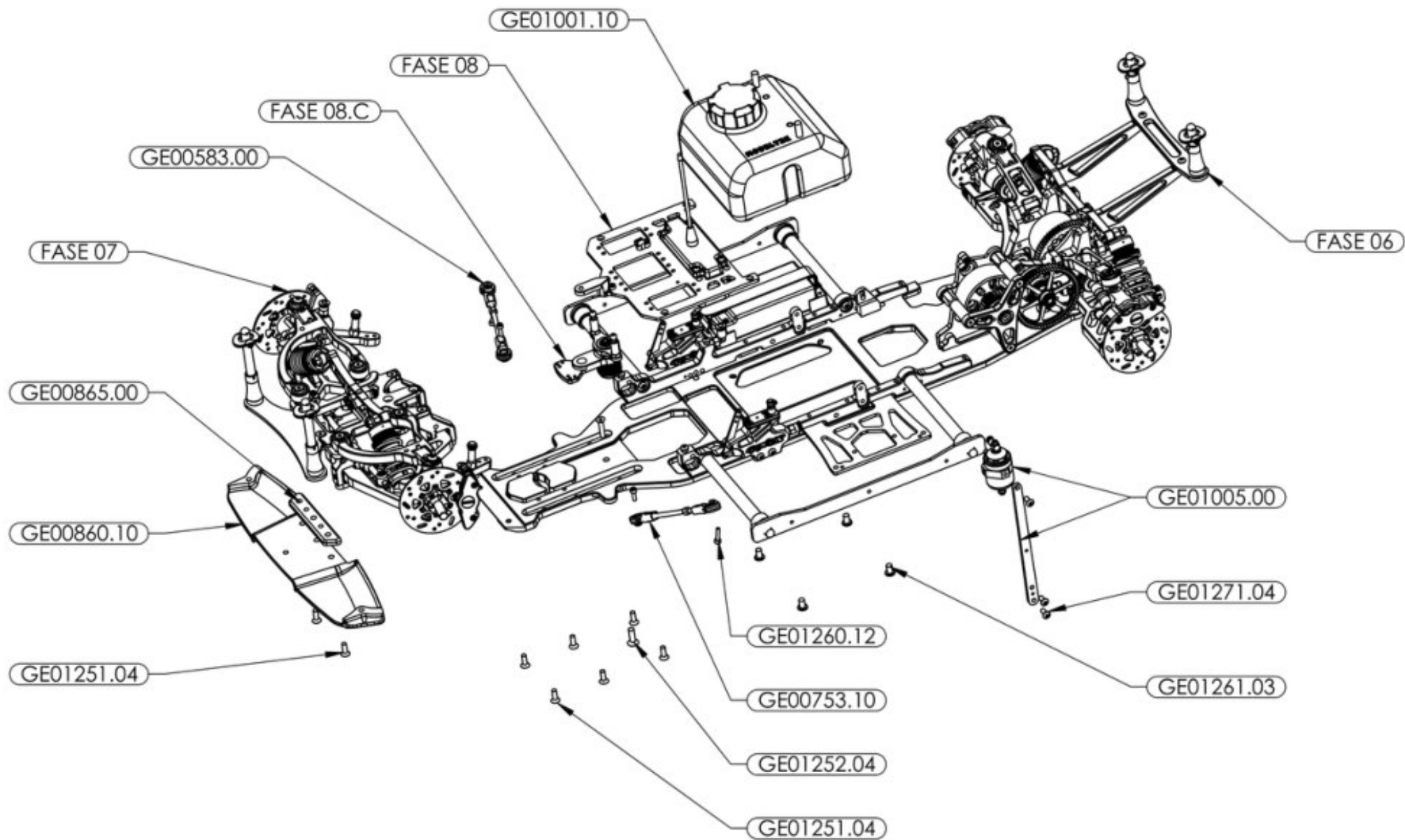
CODE	PRODUCT	PHOTO
GT858070	SHOCK SPRINGS - LINEAR - DARK BLUE	
GT858075	SHOCK SPRINGS - LINEAR - DARK GRAY	
GT858080	SHOCK SPRINGS - PROGRESSIVE - GOLD	
GT858085	SHOCK SPRINGS - PROGRESSIVE - PURPLE	
GT858090	SHOCK SPRINGS - PROGRESSIVE - SILVER	
GT858095	SHOCK SPRINGS - PROGRESSIVE - OCRA	
GT858100	SHOCK SPRINGS - PROGRESSIVE - GREEN FLUO	





FASE 08







Tecnologia del modellismo

Modeltek

di Noacco Zeno

Via Madonna di Strada, 34 • 33048 San Giovanni al Natisone - Ud - Italy

Tel. +39 0432 1849976

www.genius-racing.com e-mail: info@genius-racing.com

shop: www.modeltekshop.com