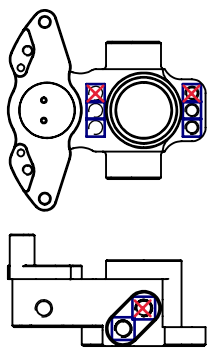
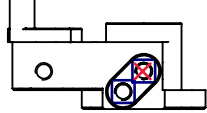


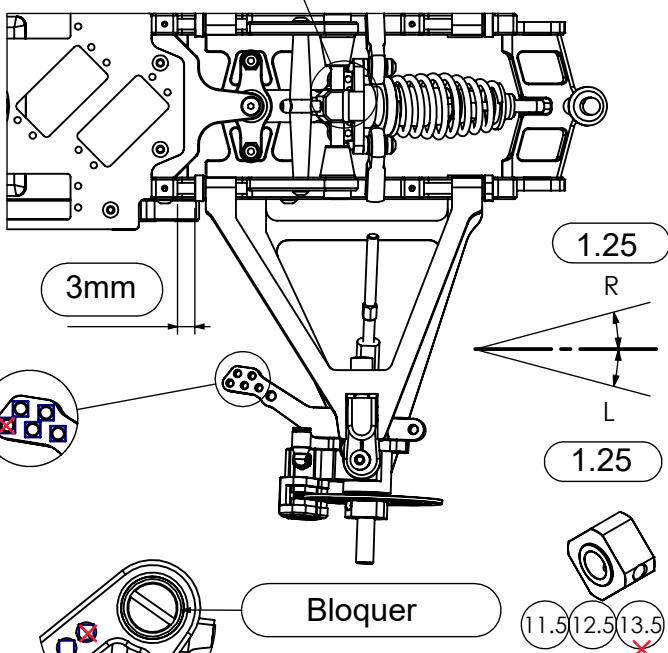
SET-UP SHEET GENIUS FR2

Driver	MARINOT Sébastien		
Track	Fiorano		
Date	Finale CE 2022		
Track Temp	Sec 40°		
Condition	Technical	Mixed	Fast
Traction	Low	Medium	High
Shocks			
	Oil	Spring	Hole
Front	4000	Red	
Rear	5000	Red	
Tires			
	Dx	Sx	aditive
Front	Soft	Medium	
Rear	Soft	Soft	
Body	Lightscale 0.7mm		
Engine	MPR 270		
Air Filter	Lightscale		
Exhaust	Samba f1		
Clutch	Genius		
Transmission			
Engine			
31	32	33	34
Midle axle			
24	25		
Total Ratio			
Differential unit			
Model	SCS M2		
Oil	Grease		
Set-up	100% position 2		

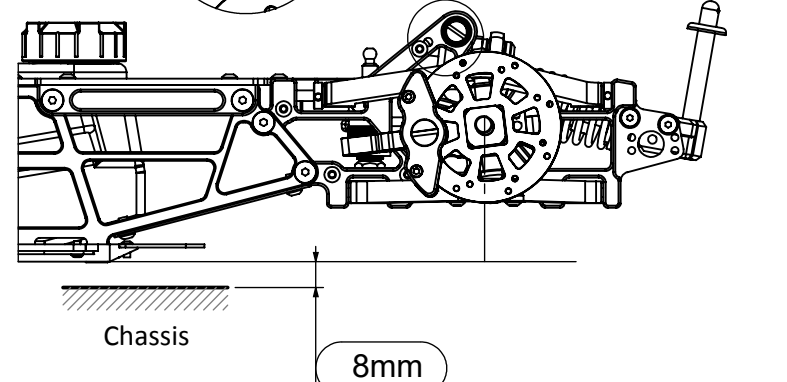



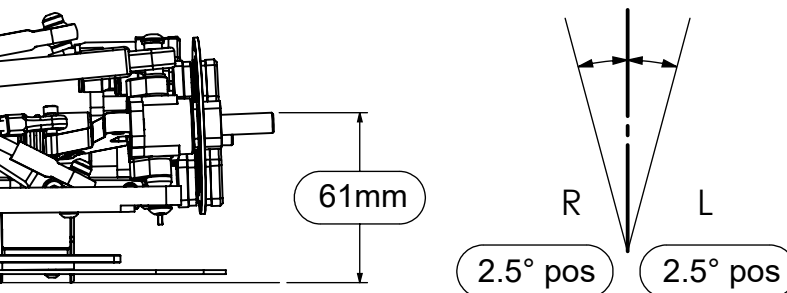
Front N.....

	Top	Bottom
	X	
4mm		
6mm		X

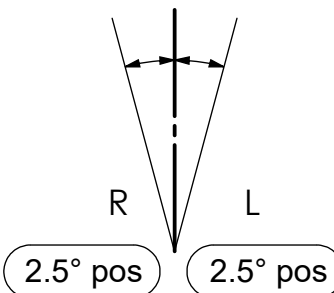


Bloquer



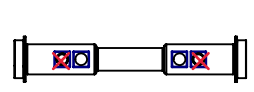
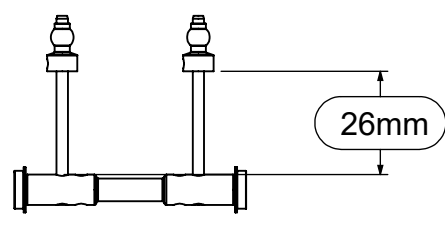



2.5° pos



2.5° pos

Ballance [g]		
Front	Center	Rear



	Inside	Outside
3mm		✗
6mm		
4mm		

