

# XR4.22

INSTRUCTION MANUAL

2022



## MOUNTING COMPONENTS #1



GRANI  
4X16

TB  
4X16

## MOUNTING COMPONENTS #2



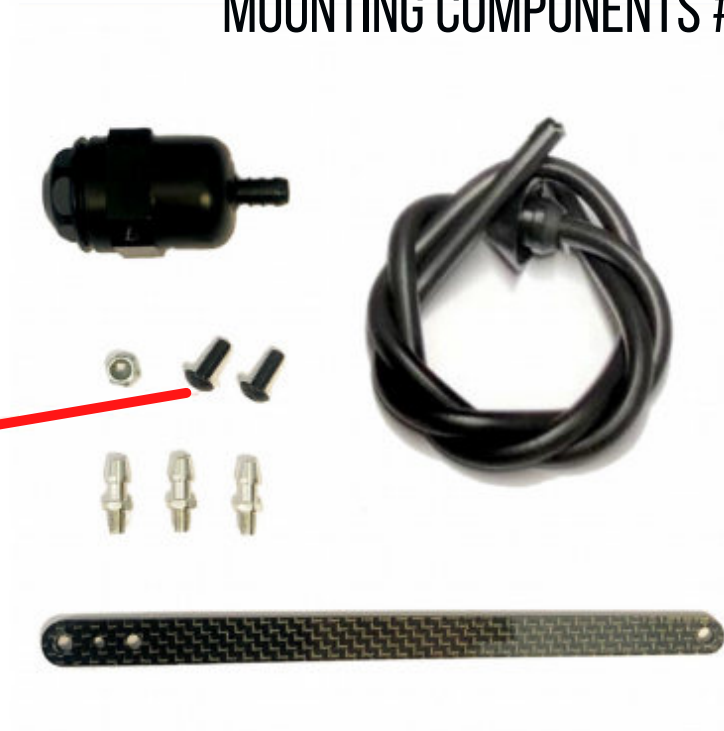
## MOUNTING COMPONENTS #3



TB  
5X10

TC  
4X12

## MOUNTING COMPONENTS #4



TB  
4X10

# INDEX

|   | PAG. |
|---|------|
| 1. CHASSIS ASSEMBLY WITH REINFORCEMENT.....               | 5    |
| 2. REAR SUSPENSION ASSEMBLY.....                          | 11   |
| 3. REAR SUSPENSION ASSEMBLY WITH STEERING TURNBUCKLE..... | 16   |
| 4. ENGINE SUPPORT ASSEMBLY.....                           | 25   |
| 5. REAR SUSPENSION ASSEMBLY WITH CHASSIS.....             | 28   |
| 6. FRONT SUSPENSION ASSEMBLY.....                         | 30   |
| 7. FRONT SUSPENSION ASSEMBLY WITH SHOCK ABSORBER.....     | 37   |
| 8. SERVO SAVER ASSEMBLY.....                              | 40   |
| 9. SHORT SHOCK ABSORBER ASSEMBLY.....                     | 42   |
| 10. TANK AND SERVO SAVER ASSEMBLY.....                    | 44   |

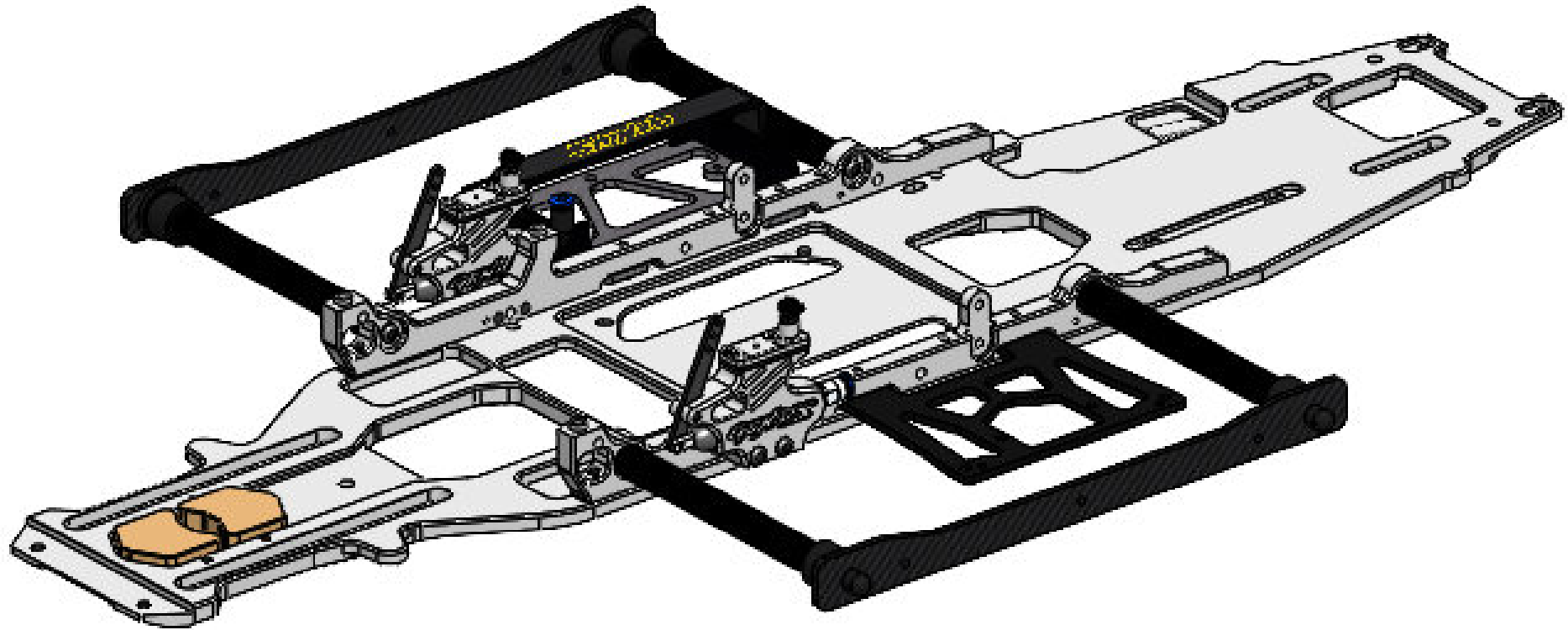
## INDICE

|  | PAG. |
|--|------|
| 1. ASSEMBLAGGIO TELAIO CON TRAVERSE.....                   | 5    |
| 2. ASSEMBLAGGIO CASTELLO POSTERIORE.....                   | 11   |
| 3. ASSEMBLAGGIO CASTELLO POSTERIORE CON TIRANTI.....       | 16   |
| 4. ASSEMBLAGGIO SUPPORTO MOTORE.....                       | 25   |
| 5. ASSEMBLAGGIO CASTELLO POSTERIORE CON TELAIO.....        | 28   |
| 6. ASSEMBLAGGIO CASTELLO ANTERIORE.....                    | 30   |
| 7. ASSEMBLAGGIO CASTELLO ANTERIORE CON AMMORTIZZATORI..... | 37   |
| 8. ASSEMBLAGGIO SALVASERVO.....                            | 40   |
| 9. ASSEMBLAGGIO AMMORTIZZATORI CORTI.....                  | 42   |
| 10. ASSEMBLAGGIO SERBATOIO E SALVASERVO.....               | 44   |

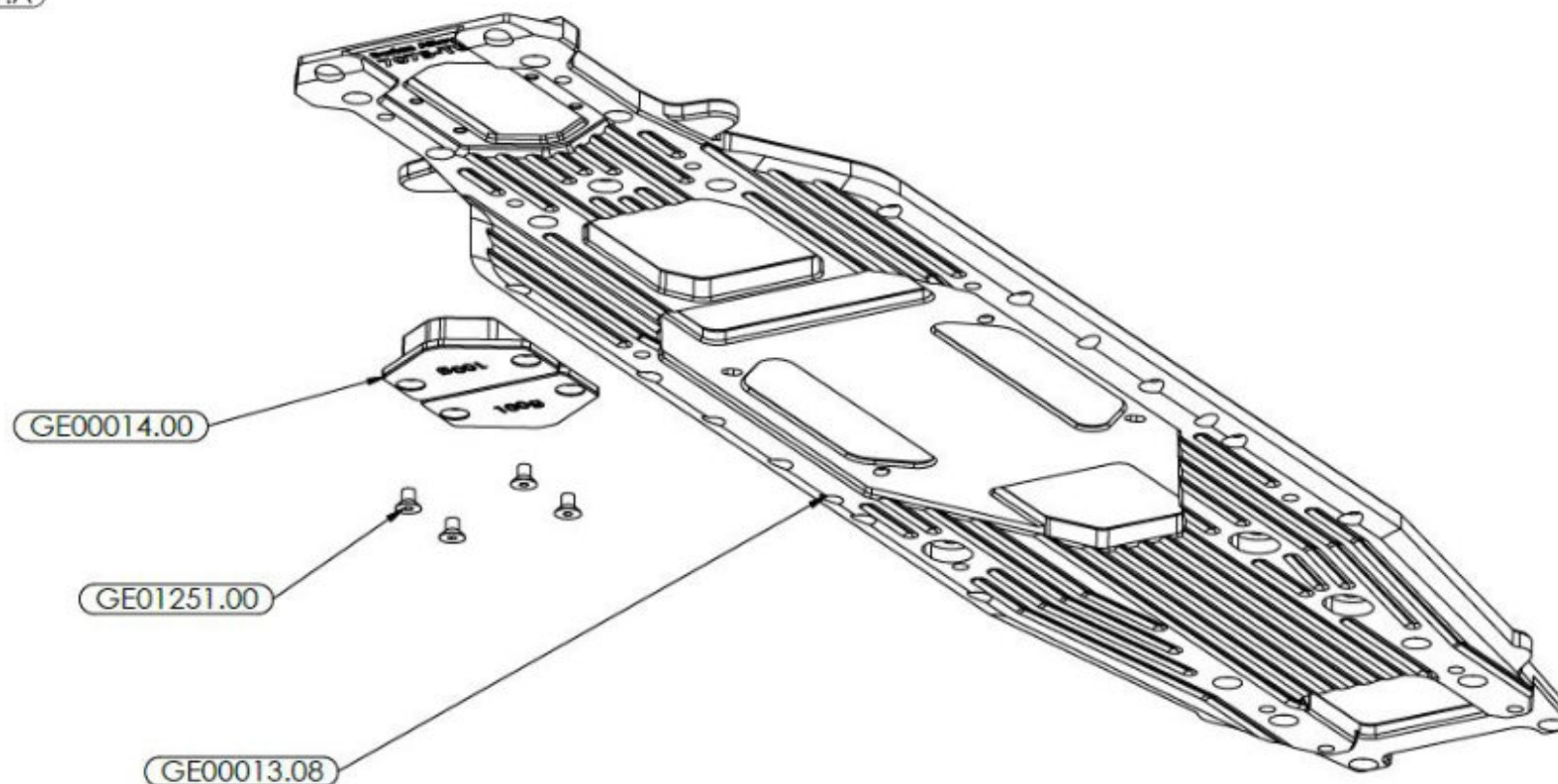


# 1. CHASSIS ASSEMBLY WITH REINFORCEMENT

**XR4.22**



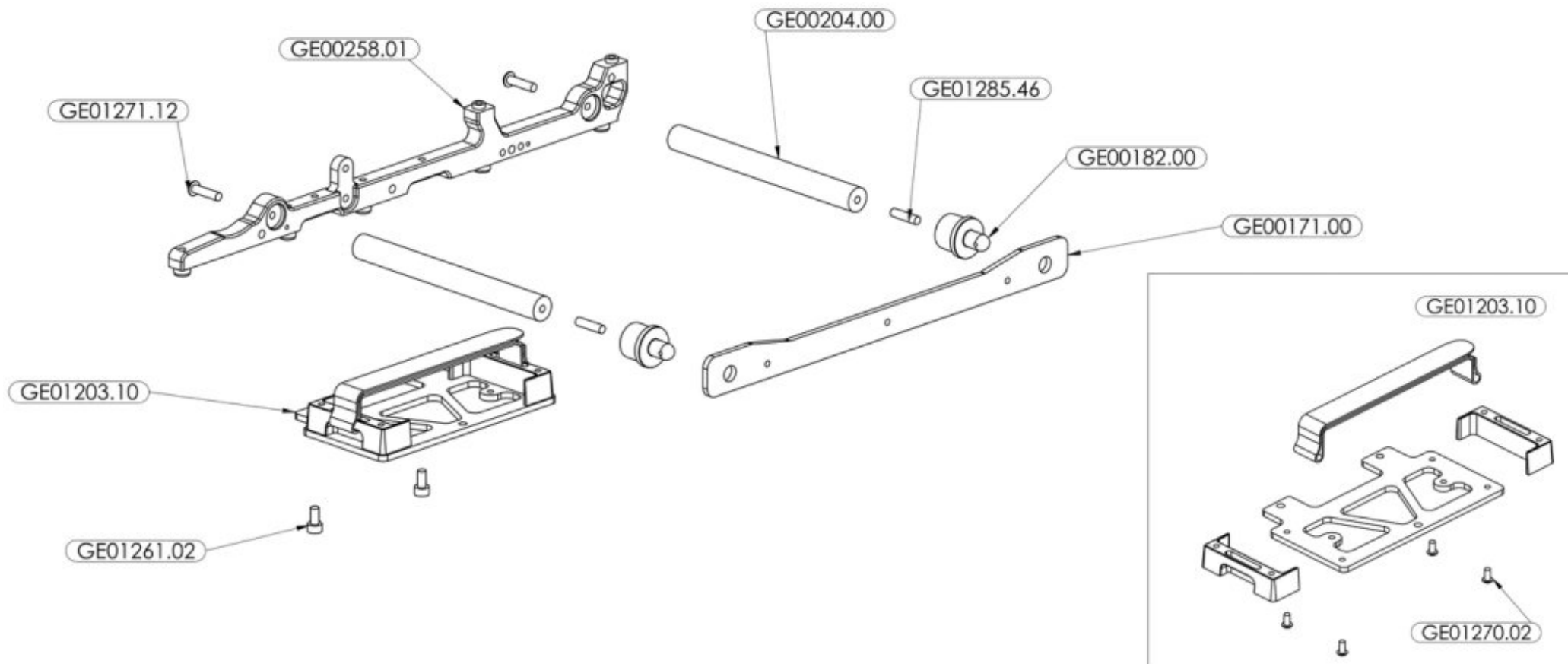
FASE 01.A



optional parts

| DESCRIPTION | CODE       |
|-------------|------------|
| ZAVORRA     | GE00014.00 |

FASE01.B

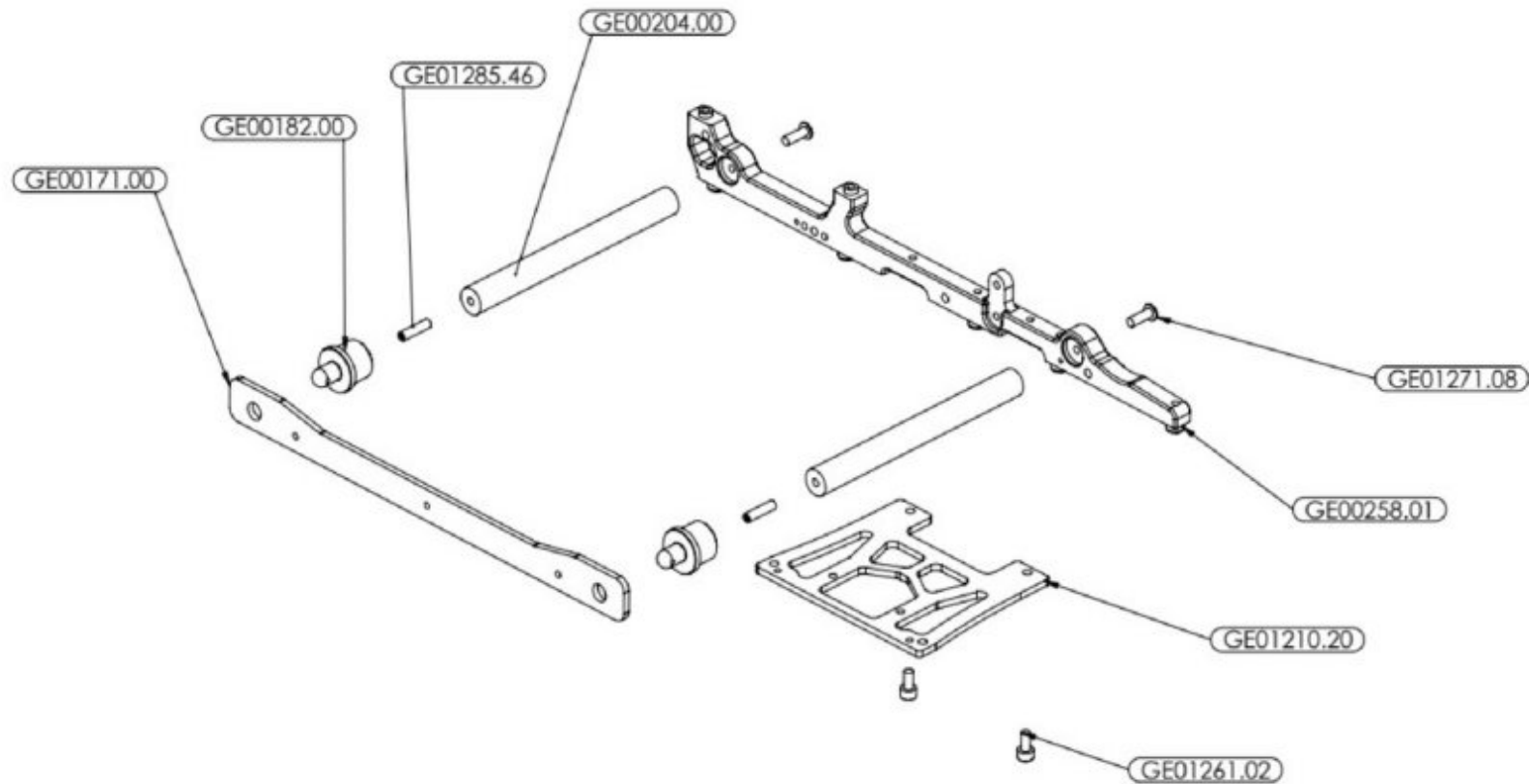


optional parts

| DESCRIPTION                        | CODE       |
|------------------------------------|------------|
| PIASTRA SUPPORTO BATTERIA CARBONIO | GE01203.01 |



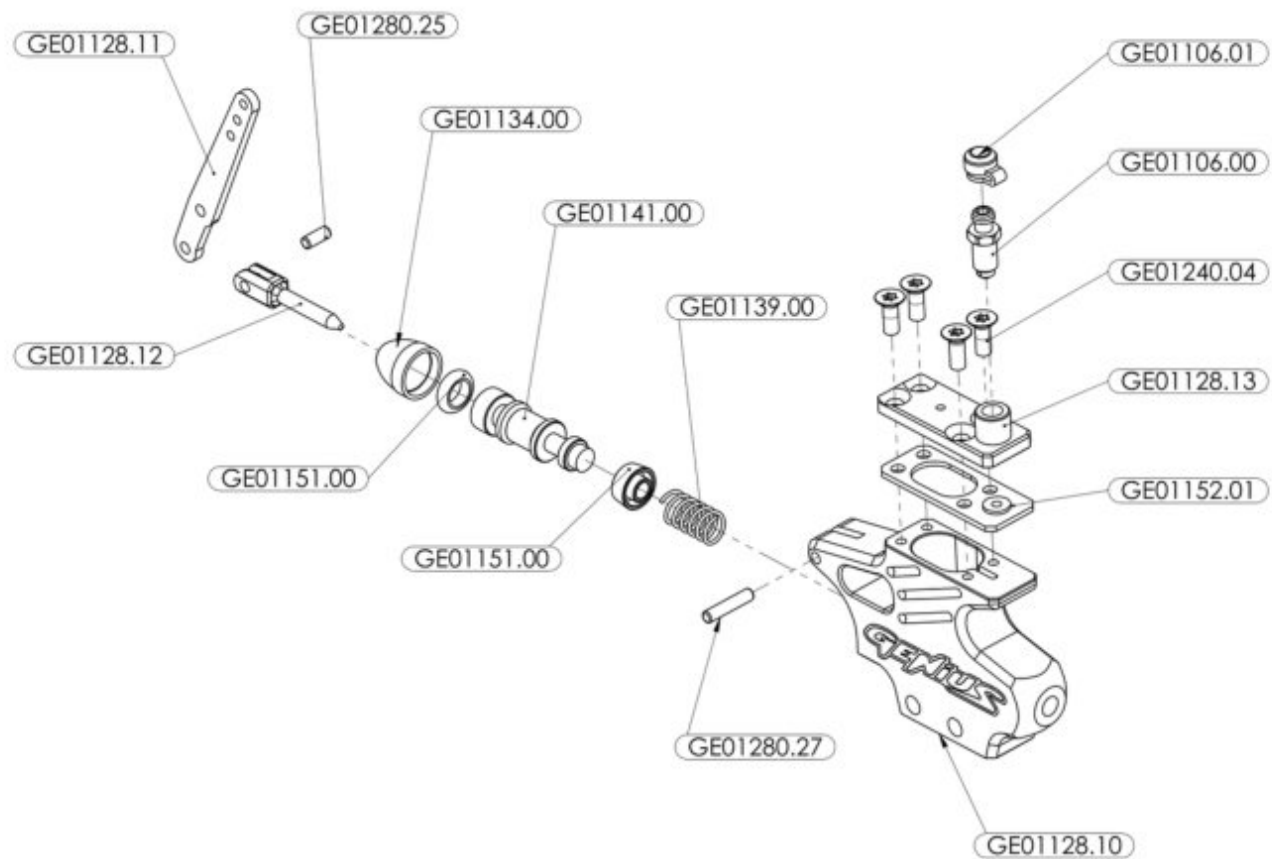
FASE01.C



optional parts

| DESCRIPTION                                 | CODE       |
|---|------------|
| PIASTRA SUPPORTO MARMITTA XR4 PLUS CARBONIO | GE01210.30 |

GE01128.01



GE00871.01



GE00872.01



GE00872.02



GE00870.01

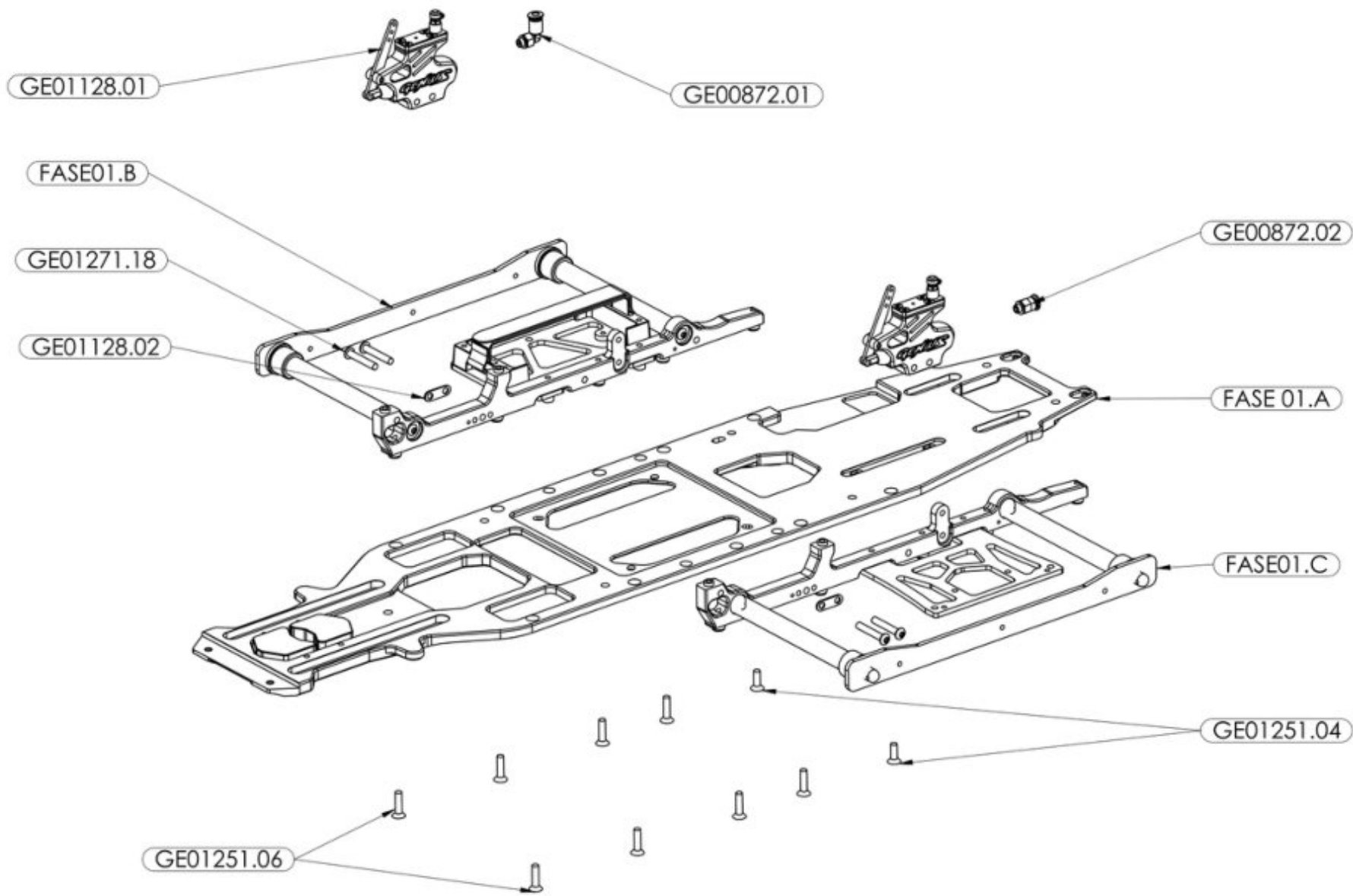


GE01112.00



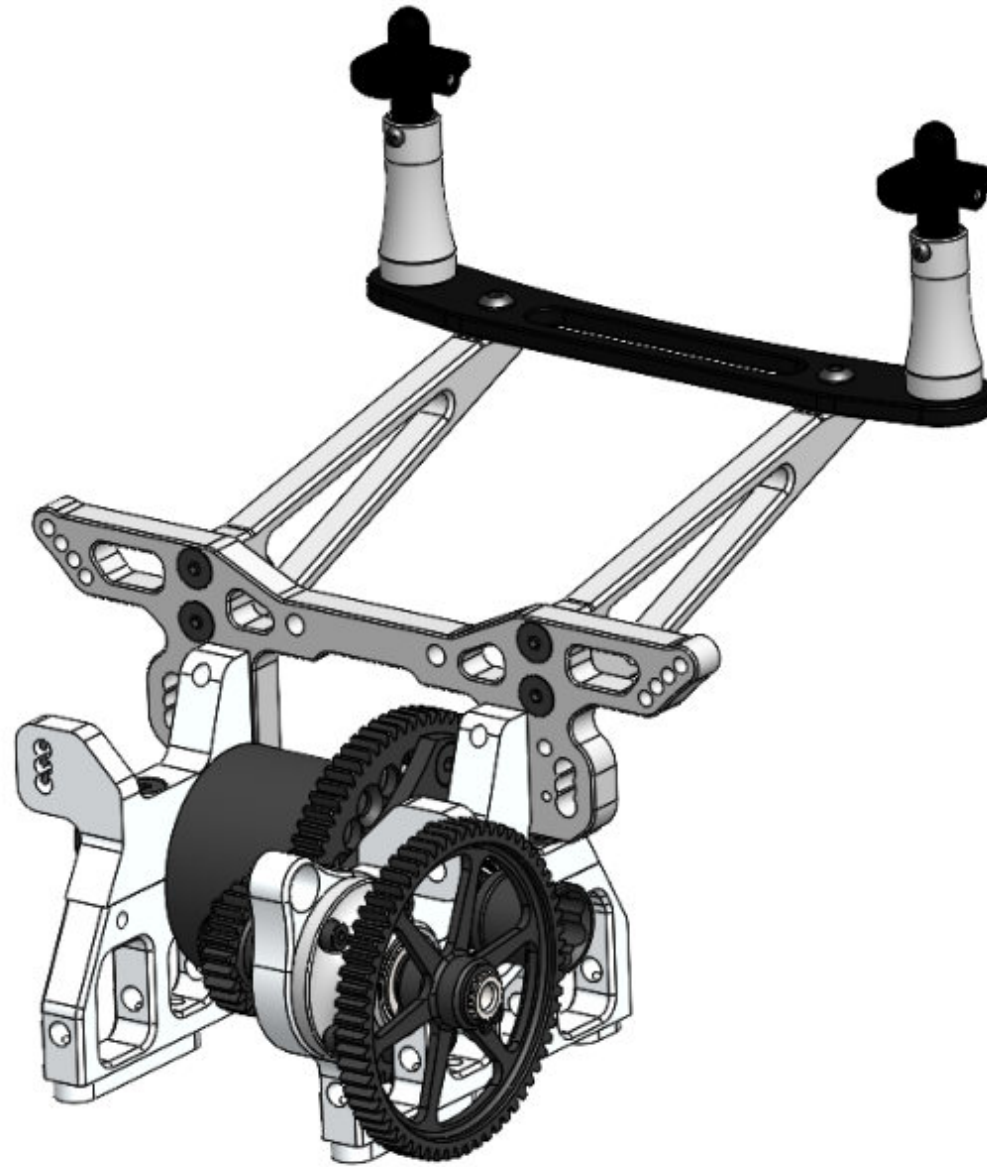
GE00392.01

FASE 01

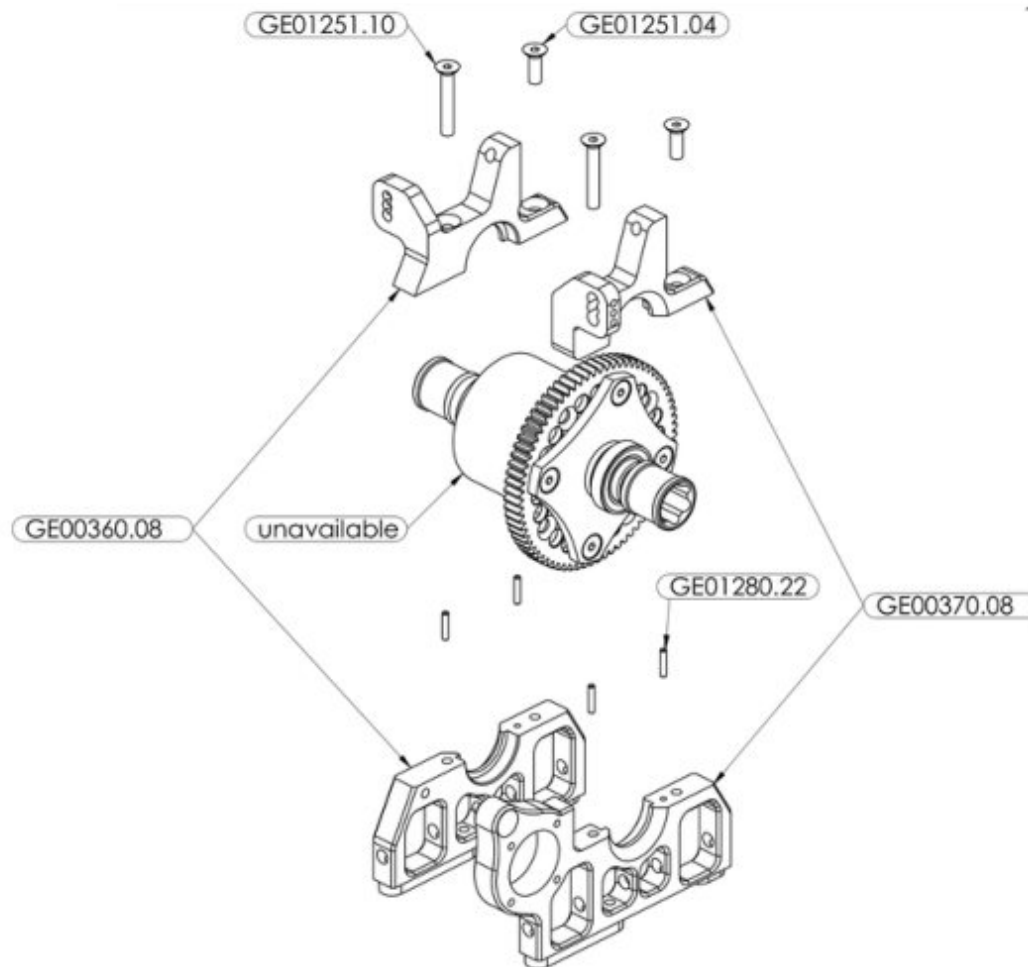


## 2. REAR SUSPENSION ASSEMBLY

*XR4.22*



FASE 02.A



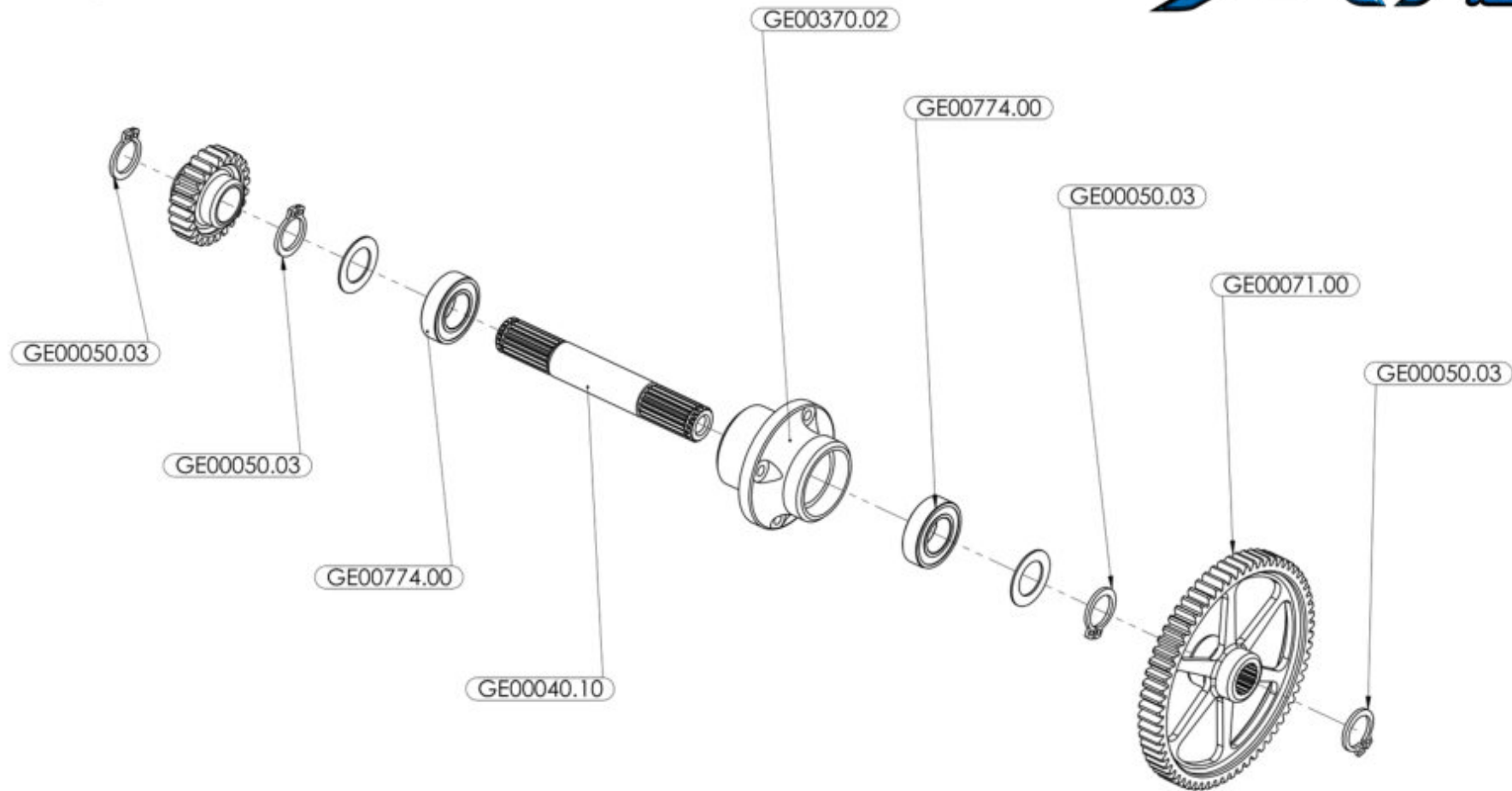
GE00088.00





GE00775.00

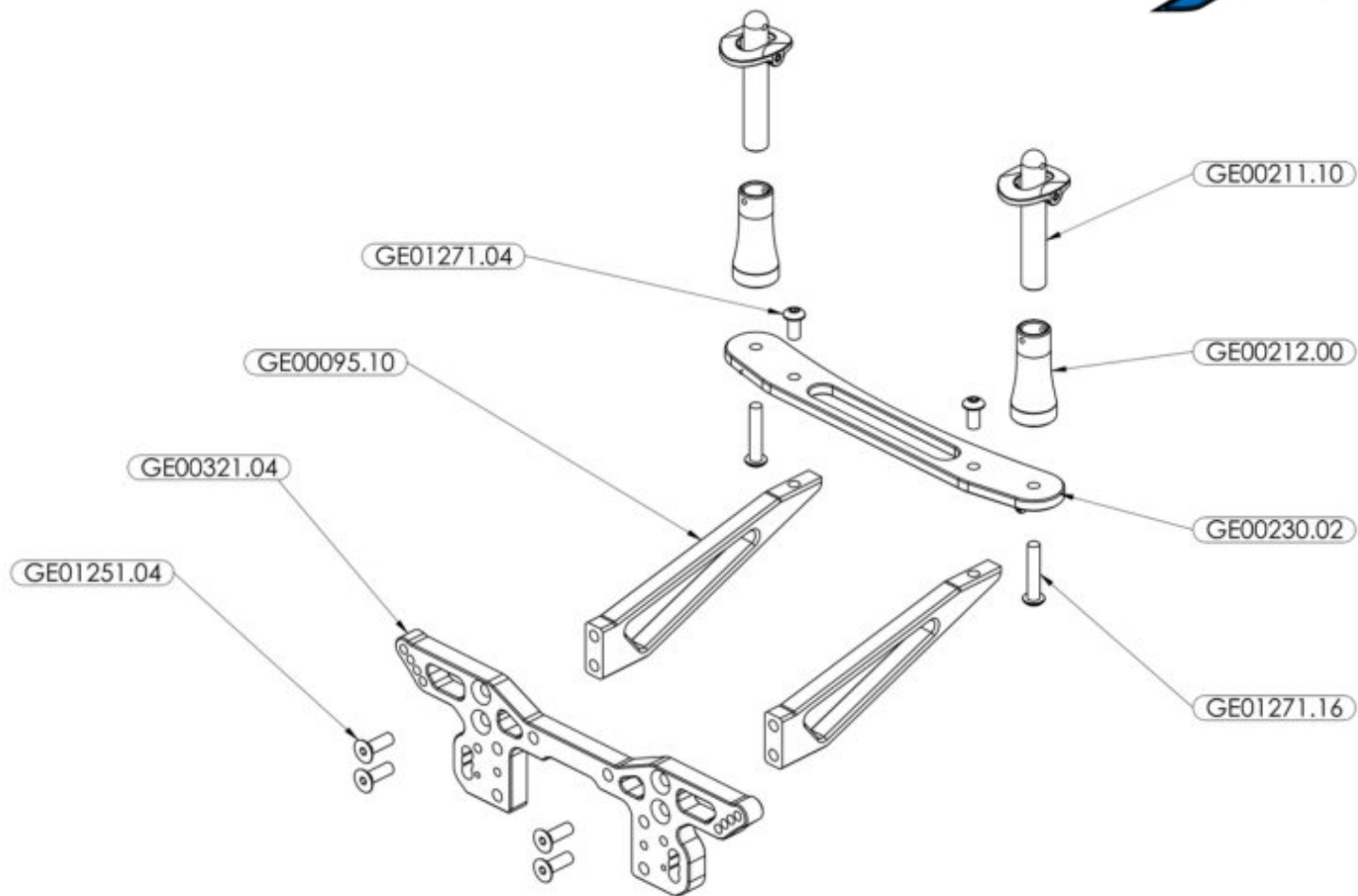


FASE 02.B



|  |            |  |            |
|---|------------|---|------------|
| optional parts  |            | optional parts  |            |
| DESCRIPTION   | CODE       | DESCRIPTION   | CODE       |
| RASAMENTO ø10x0.1   | GE01290.60 | PIGNONE Z24 M1  | GE00079.10 |
| RASAMENTO ø10x0.3   | GE01290.62 | PIGNONE Z25 M1  | GE00080.10 |
| RASAMENTO ø10x0.5   | GE01290.64 |   |            |

FASE 02.C

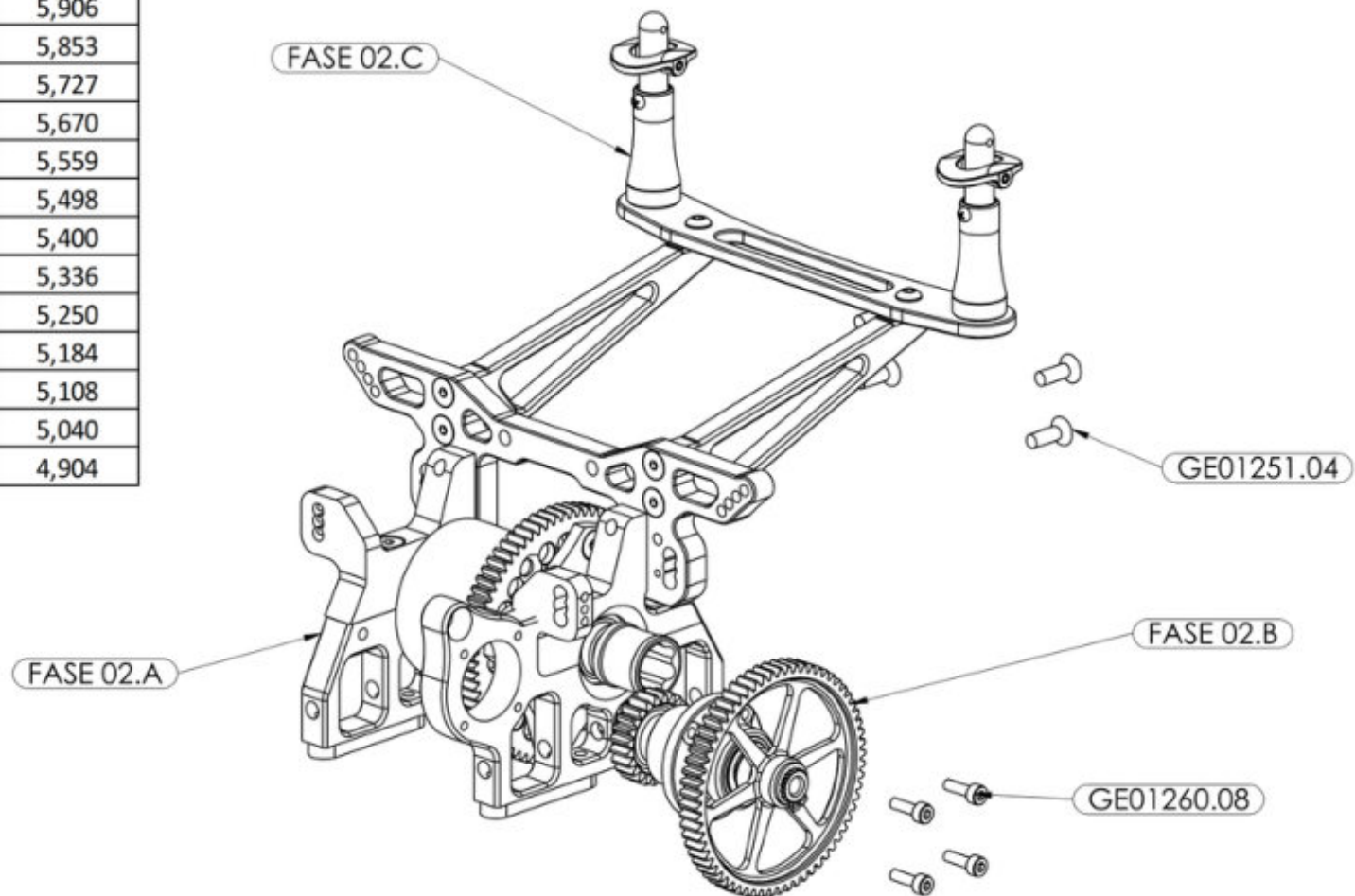


optional parts

| DESCRIPTION                   | CODE       |
|-------------------------------|------------|
| SUPPORTO CARROZZERIA CARBONIO | GE00230.03 |

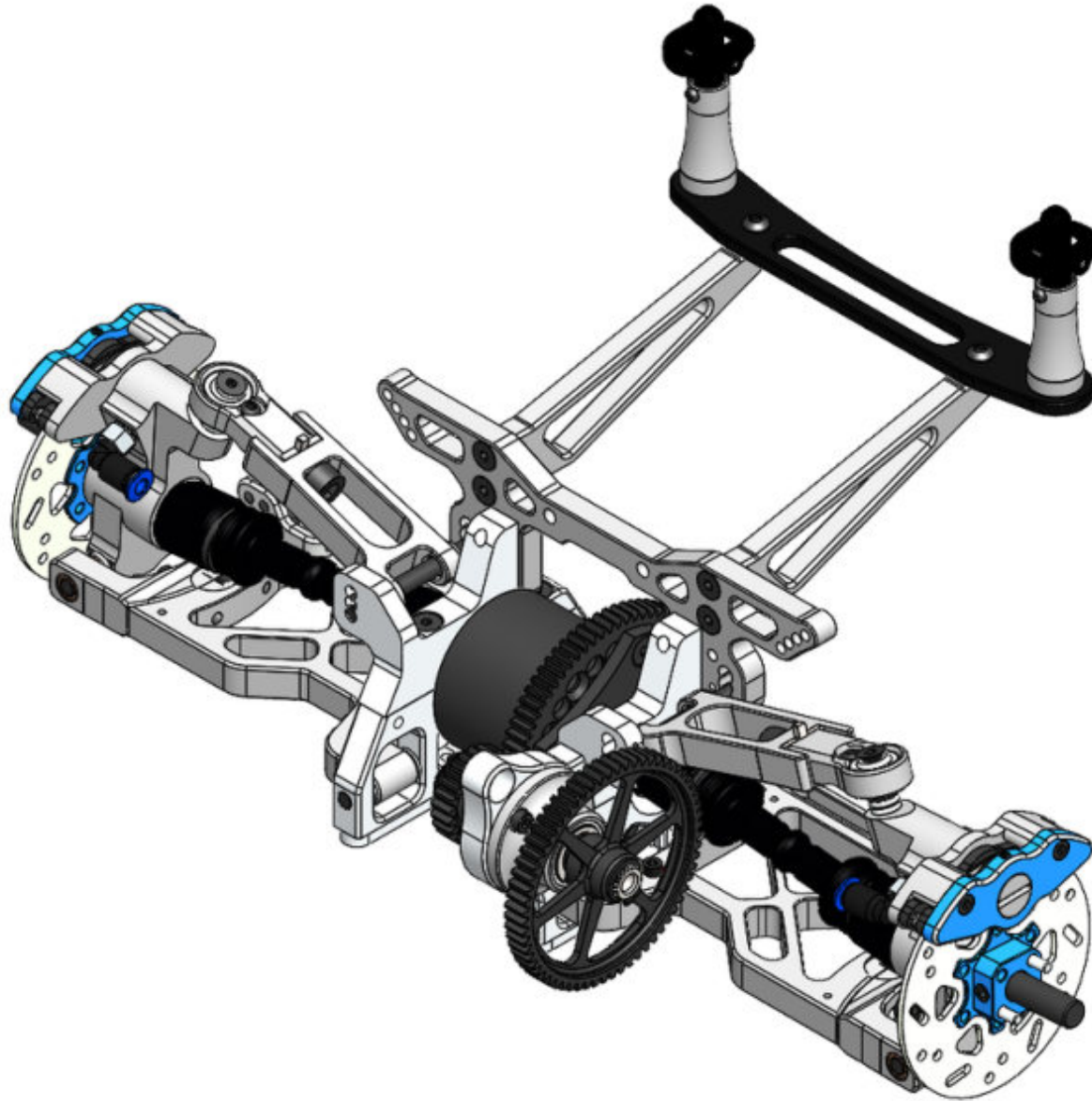
| pignon 1 | pignon 2 | pignon 3 | pignon 4 | RATIO |
|----------|----------|----------|----------|-------|
| 31       | 63       | 24       | 72       | 6,097 |
| 32       | 63       | 24       | 72       | 5,906 |
| 31       | 63       | 25       | 72       | 5,853 |
| 33       | 63       | 24       | 72       | 5,727 |
| 32       | 63       | 25       | 72       | 5,670 |
| 34       | 63       | 24       | 72       | 5,559 |
| 33       | 63       | 25       | 72       | 5,498 |
| 35       | 63       | 24       | 72       | 5,400 |
| 34       | 63       | 25       | 72       | 5,336 |
| 36       | 63       | 24       | 72       | 5,250 |
| 35       | 63       | 25       | 72       | 5,184 |
| 37       | 63       | 24       | 72       | 5,108 |
| 36       | 63       | 25       | 72       | 5,040 |
| 37       | 63       | 25       | 72       | 4,904 |

FASE 02

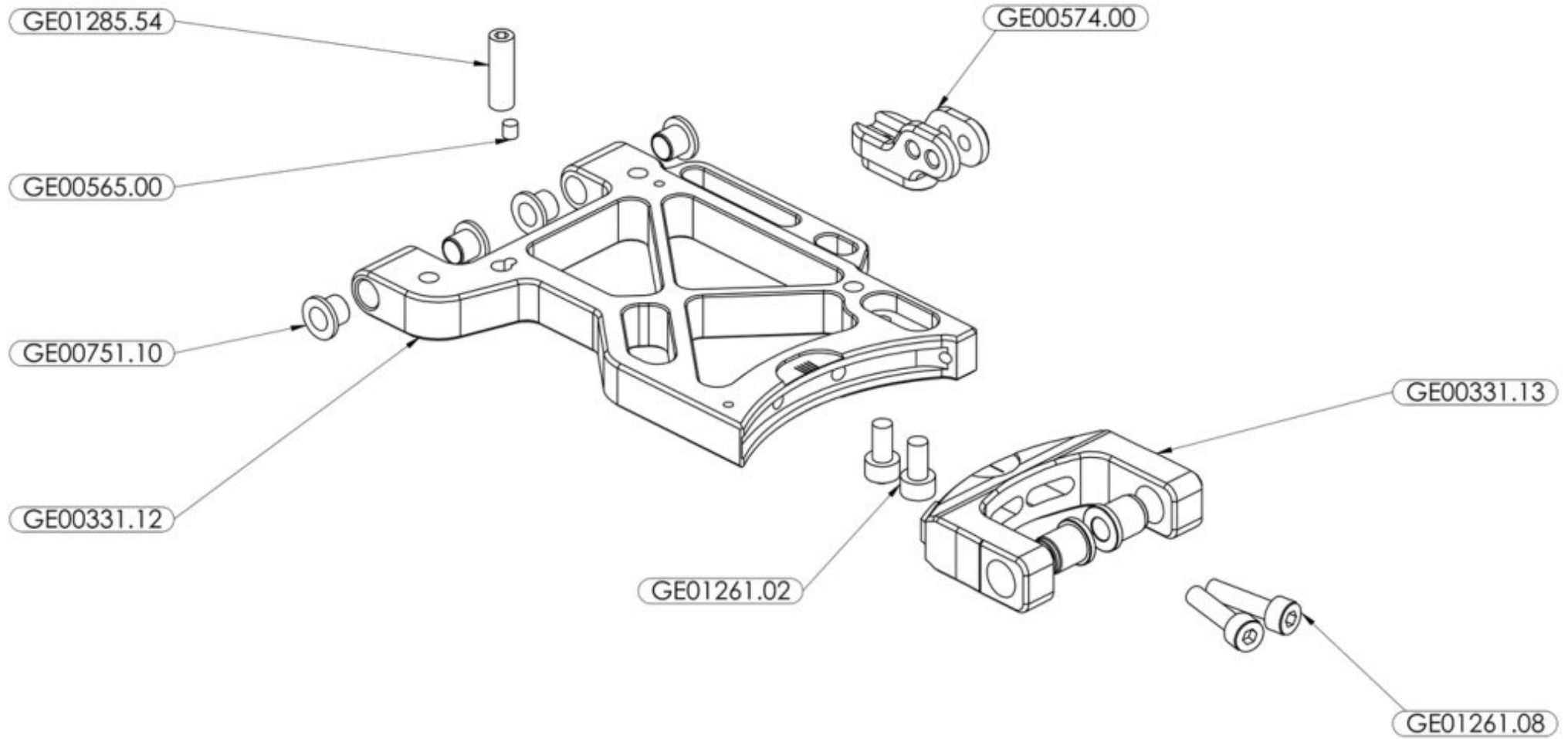


### 3. REAR SUSPENSION ASSEMBLY WITH STEERING TURNBUCKLE

*XR4.22*

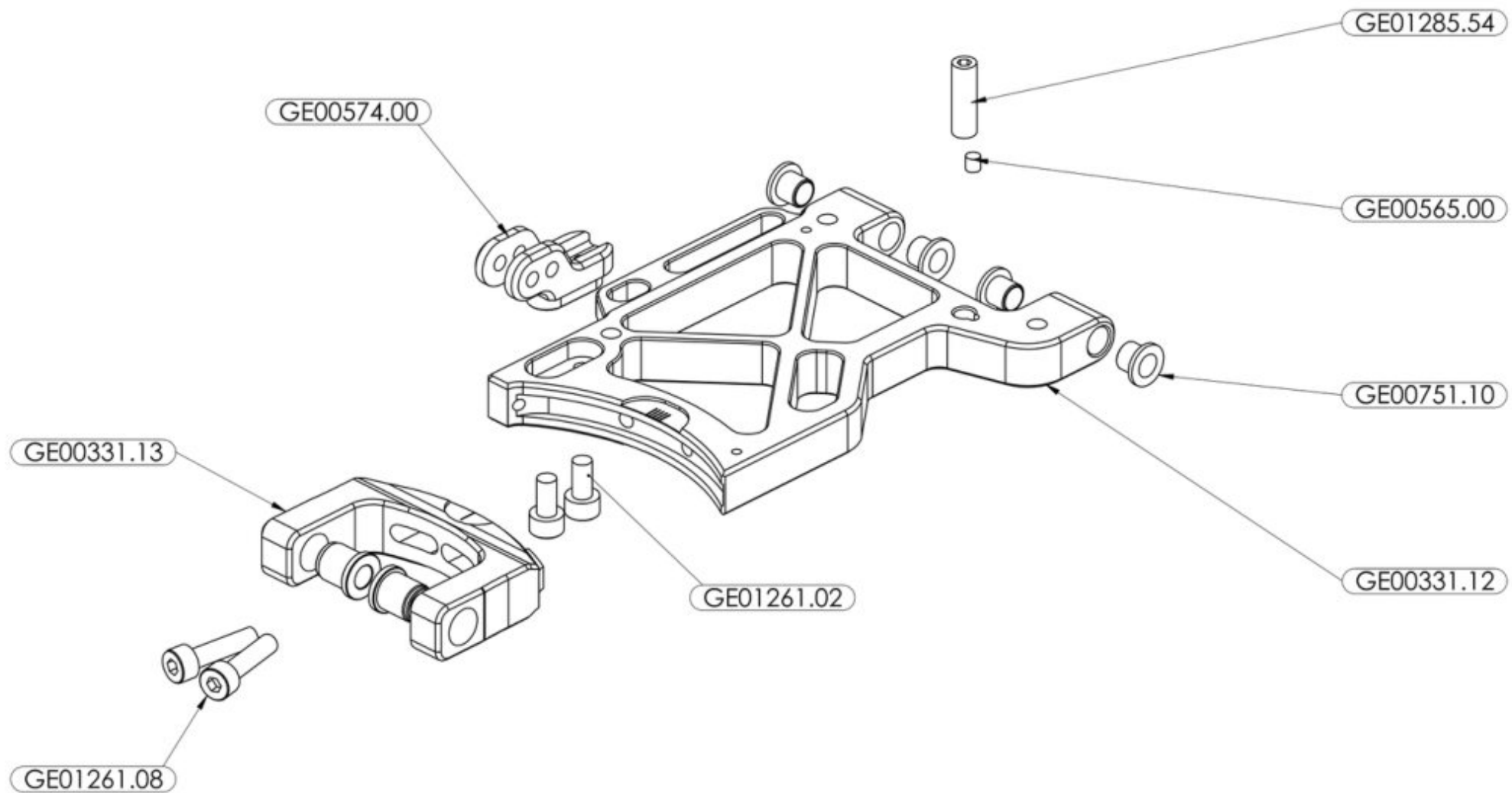


FASE 03.A

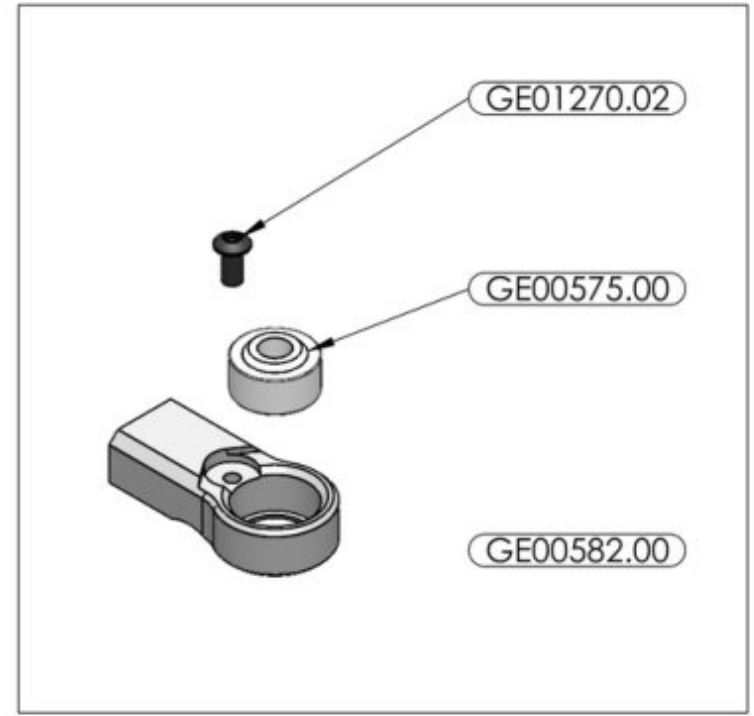
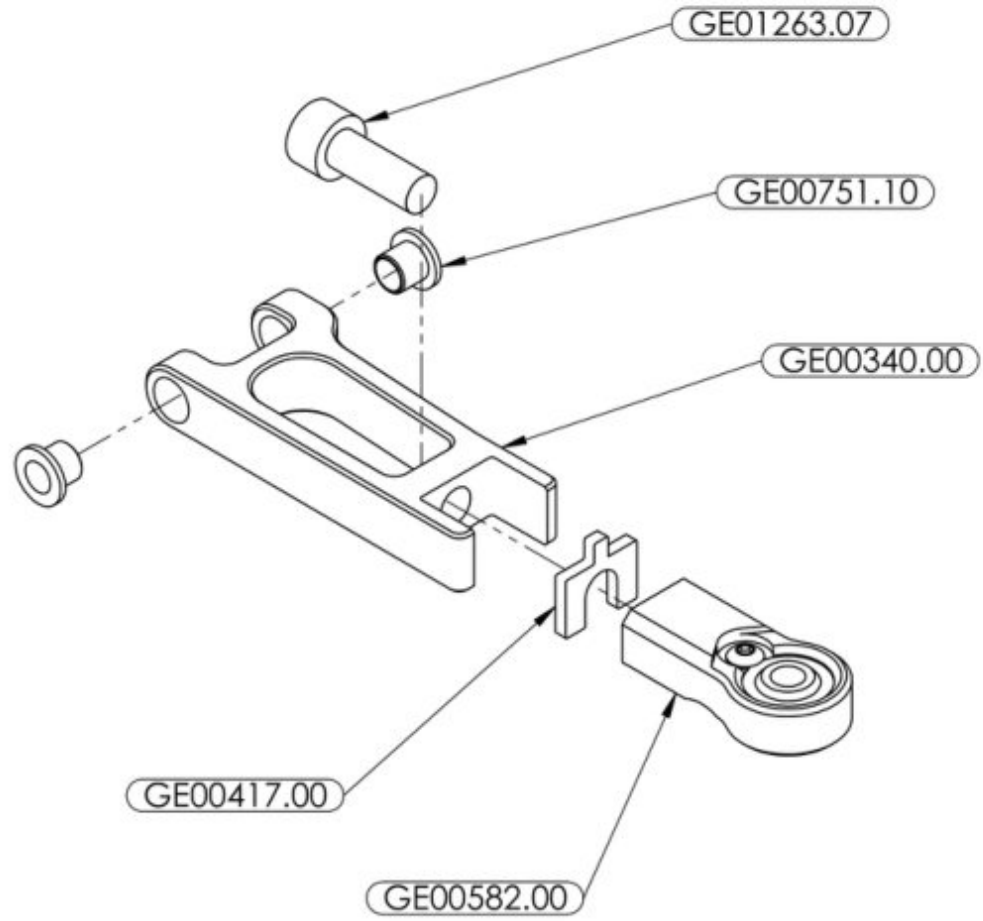




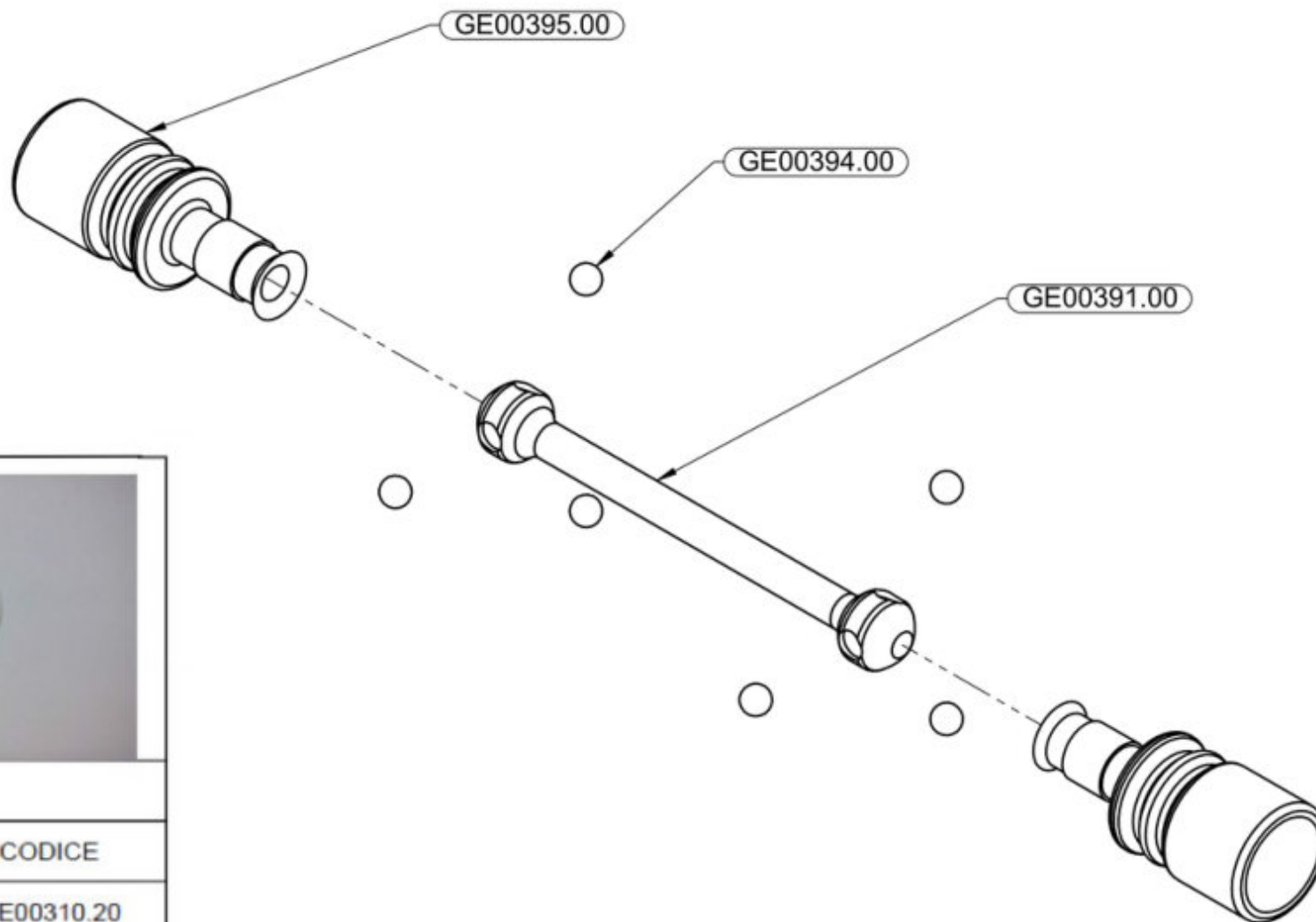
FASE 03.B



FASE 03.C

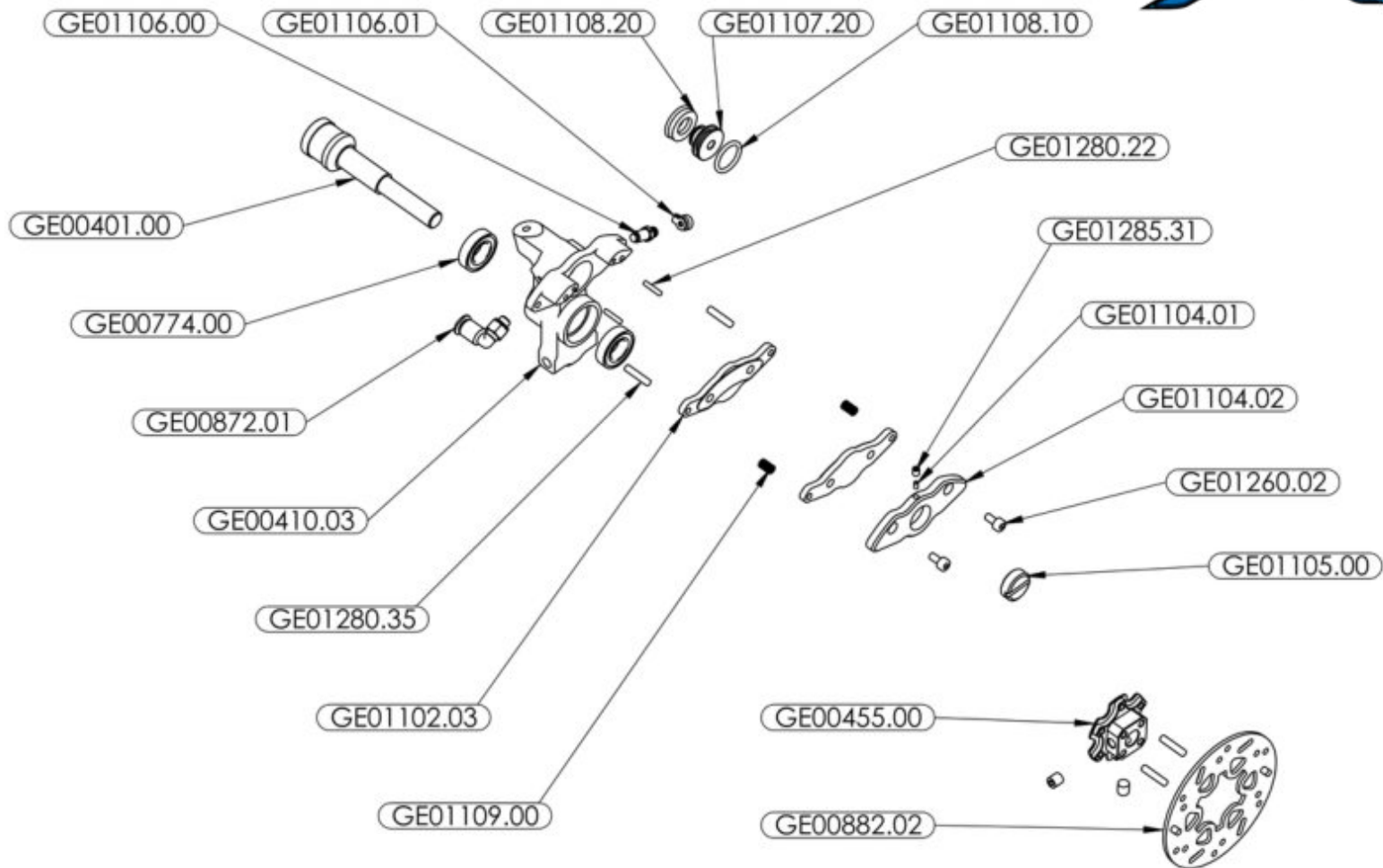


FASE 03.D

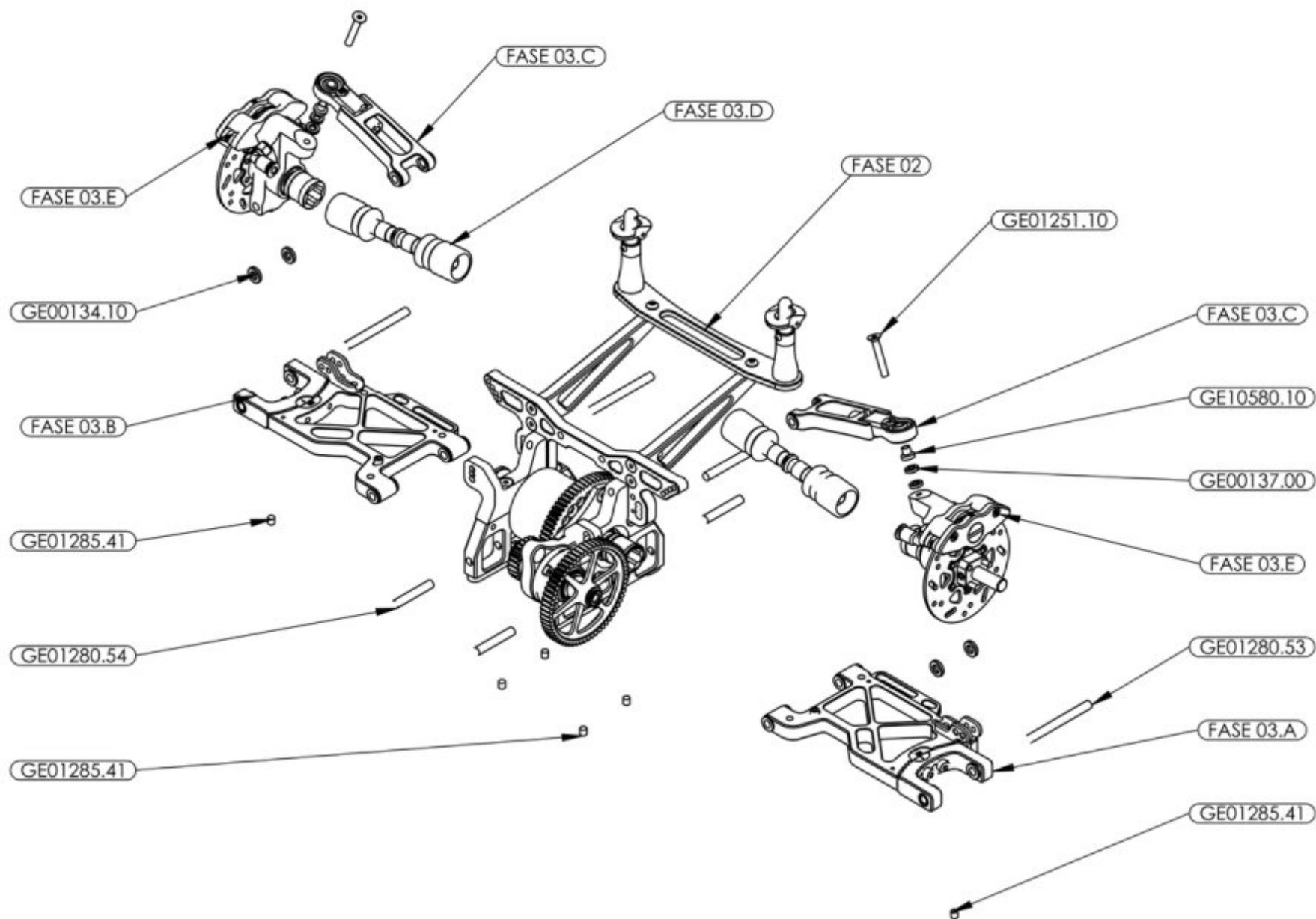


| DESCRIZIONE         | CODICE     |
|---------------------|------------|
| GRASSO TRASMISSIONE | GE00310.20 |

FASE 03.E

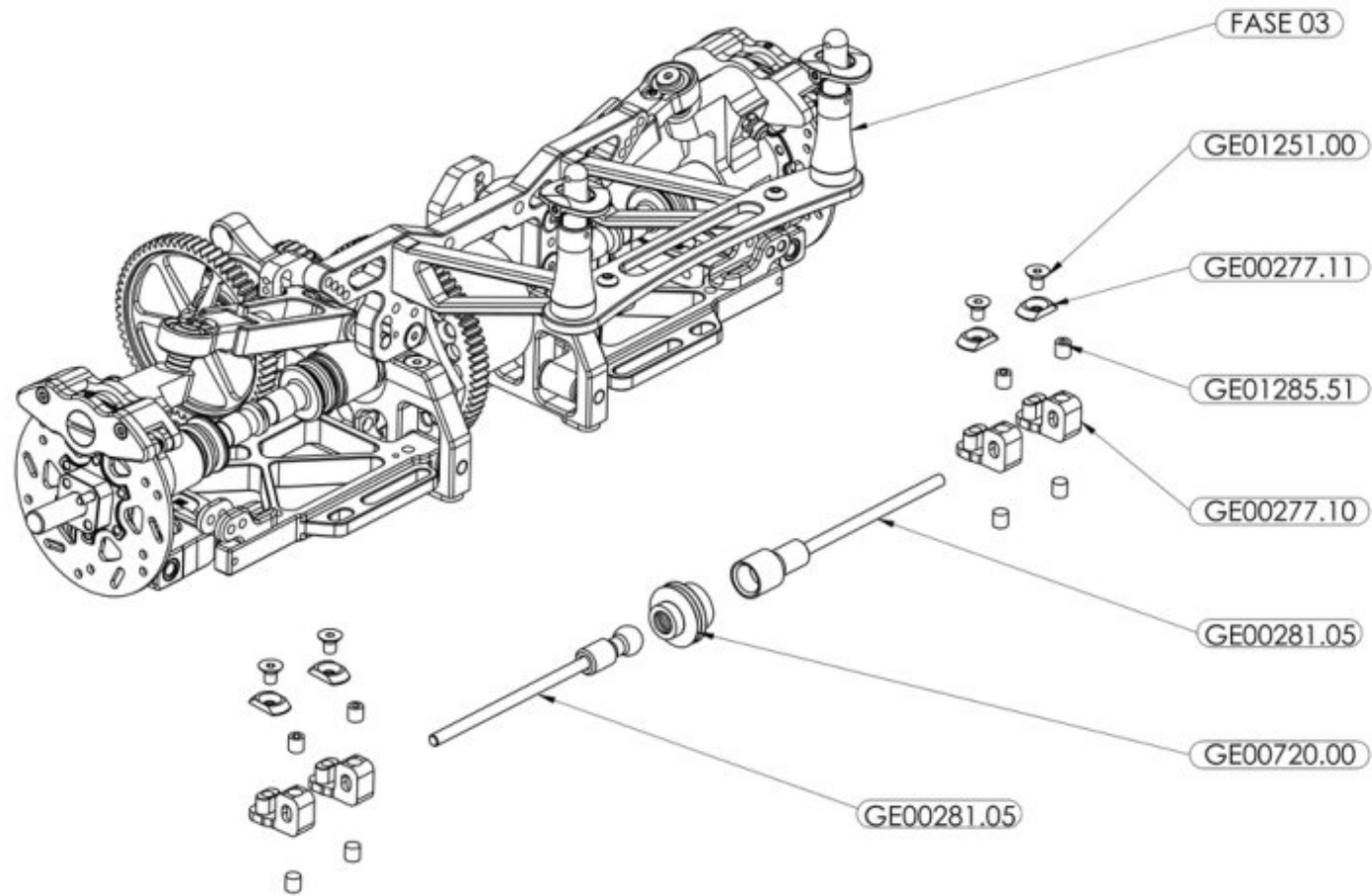




## FASE 03



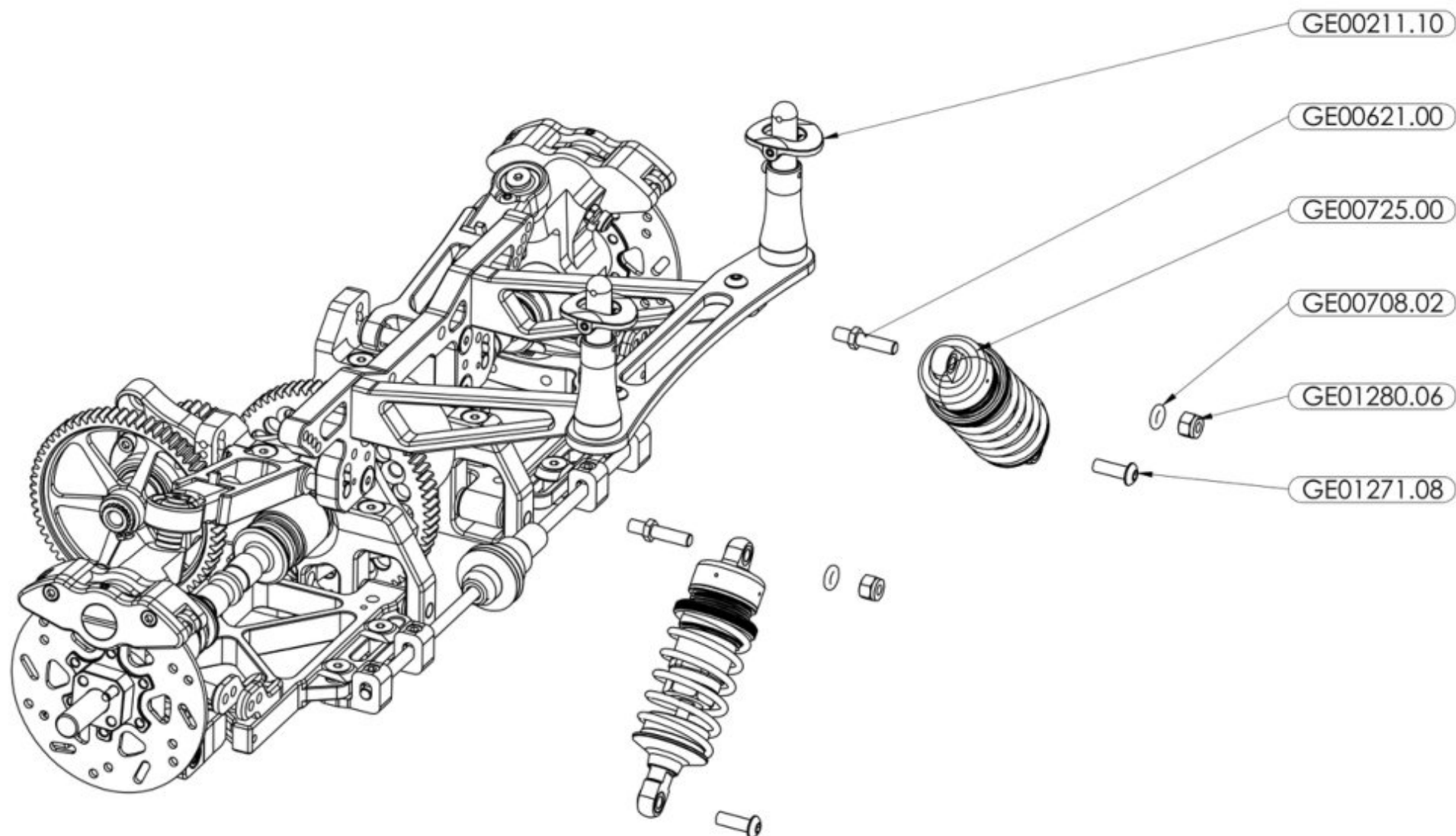


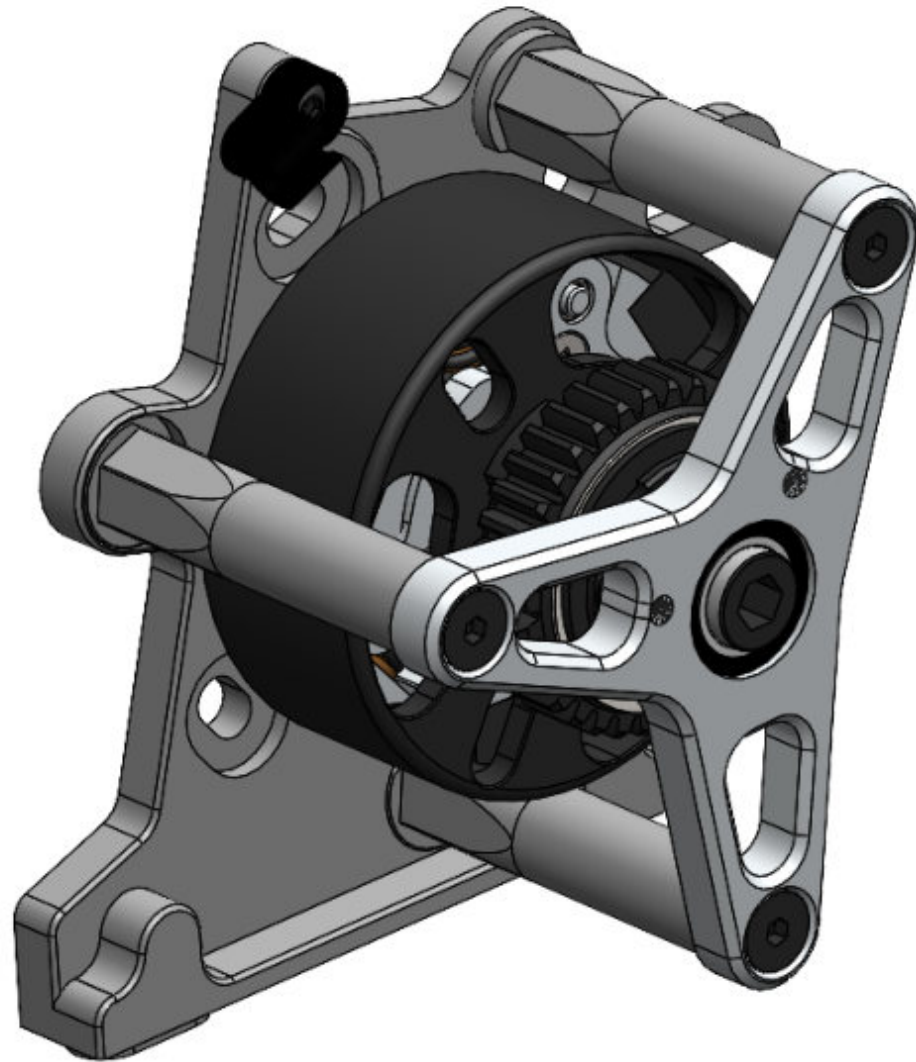
FASE 04.A



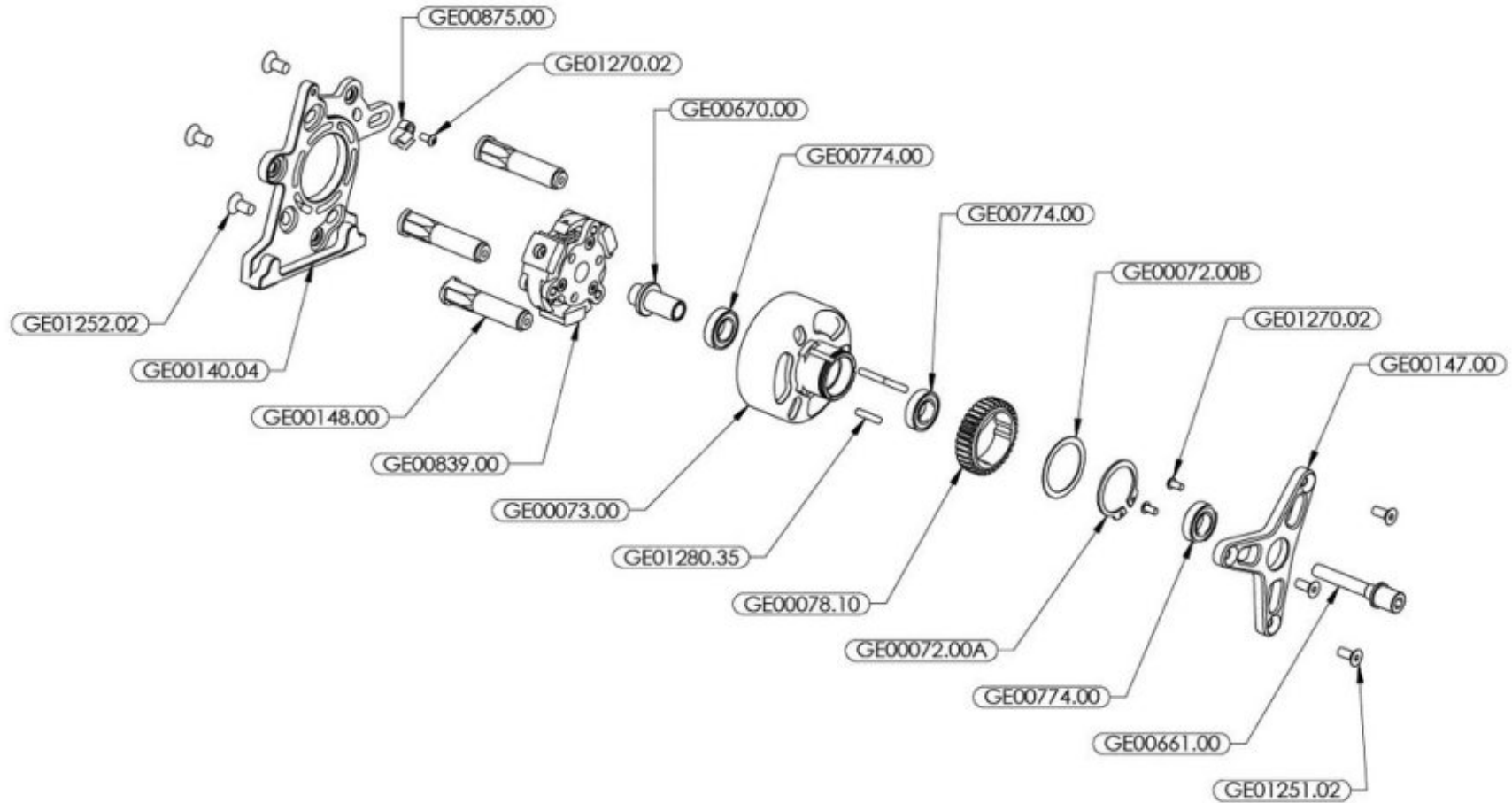
|  |             |   |             |
|--|-------------|---|-------------|
|  |             |  |             |
| optional parts   |             | optional parts  |             |
| <b>DESCRIPTION</b>   | <b>CODE</b> | <b>DESCRIPTION</b>  | <b>CODE</b> |
| COMBO BARRA TORSIONE Ø4.5  | GE00281.15  | SUPPORTO BARRA POST Ø4.5  | GE00277.15  |
|  |             | SUPPORTO BARRA POST Ø5  | GE00277.18  |

FASE 04.B





FASE 05



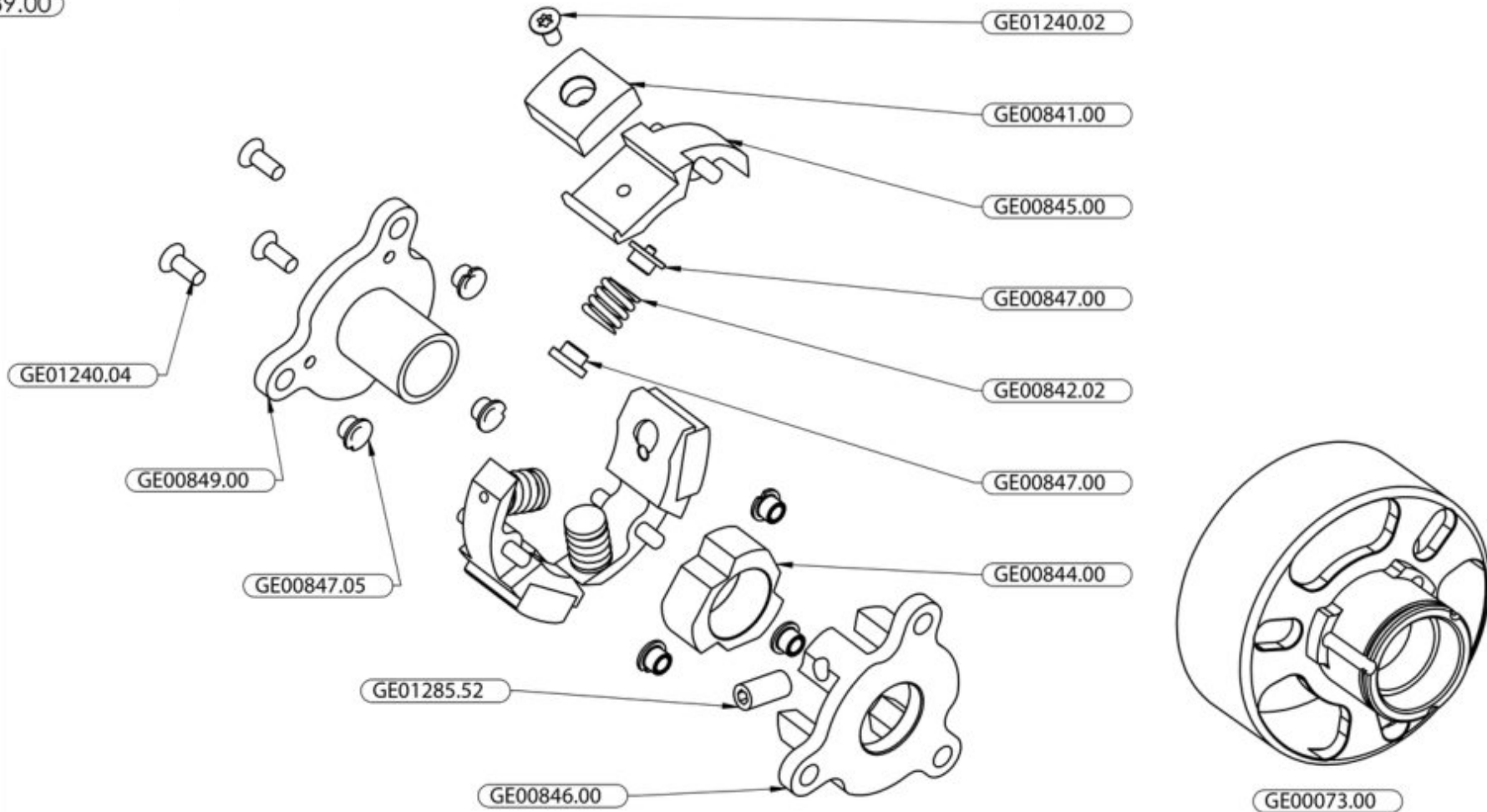
optional parts



| CODICE     | DESCRIZIONE         |
|------------|---------------------|
| GE00074.10 | INGRANAGGIO Z 35 M1 |
| GE00075.10 | INGRANAGGIO Z 36 M1 |
| GE00076.10 | INGRANAGGIO Z 37 M1 |
| GE00077.15 | INGRANAGGIO Z 32 M1 |
| GE00077.20 | INGRANAGGIO Z 33 M1 |
| GE00078.10 | INGRANAGGIO Z 34 M1 |



GE00839.00



| optional parts           |            |
|--------------------------|------------|
| DESCRIPTION              | CODE       |
| CEPPO FRIZIONE FERODO    | GE00841.00 |
| CEPPO FRIZIONE ALLUMINIO | GE00841.03 |

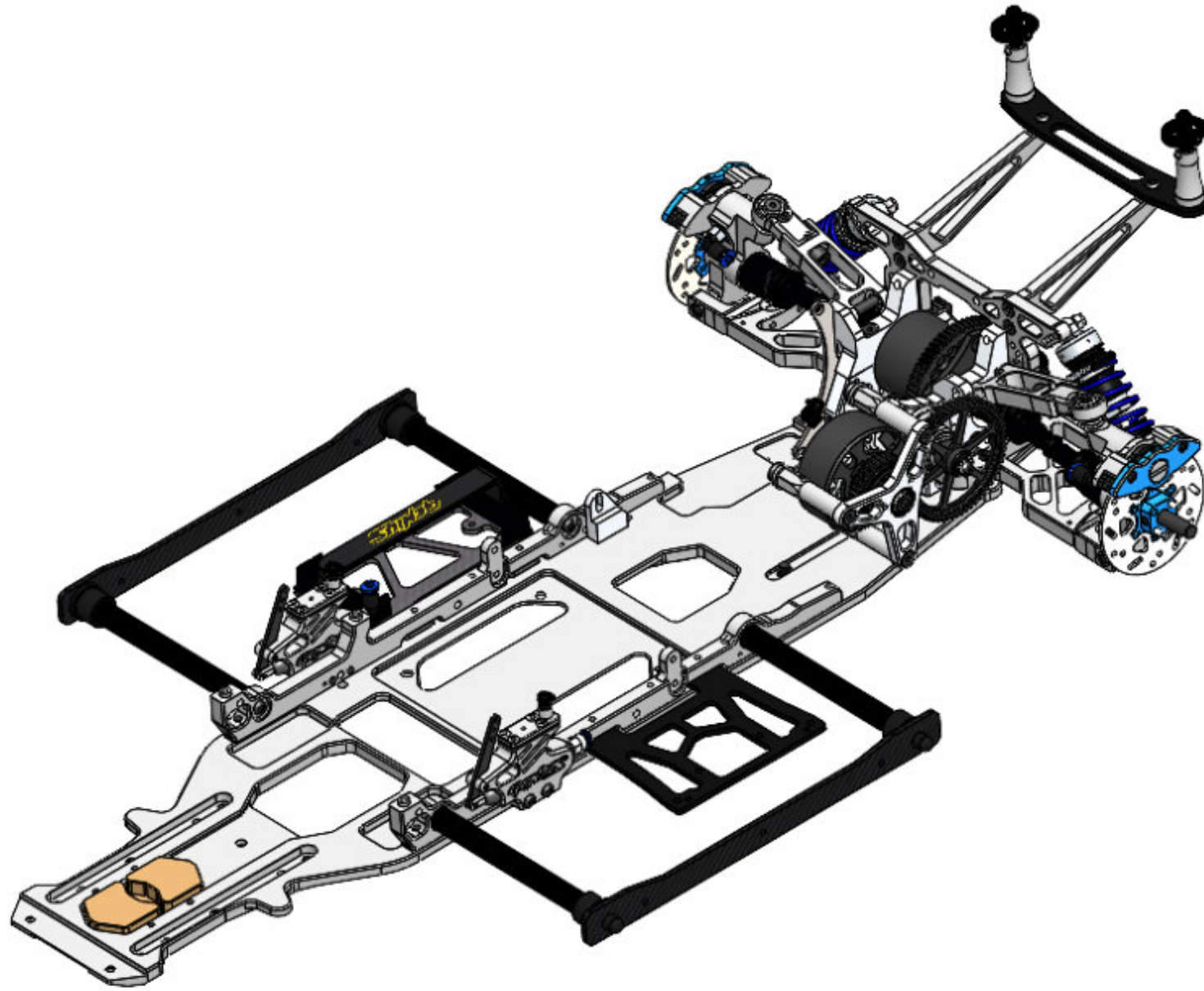
| optional parts             |            |
|----------------------------|------------|
| DESCRIPTION                | CODE       |
| MOLLA FRIZIONE CEPPI 1.4mm | GE00842.02 |
| MOLLA FRIZIONE CEPPI 1.5mm | GE00842.01 |

| optional parts           |            |
|--------------------------|------------|
| DESCRIPTION              | CODE       |
| ELEMENTI CEPPO INCOLLATI | GE00841.01 |

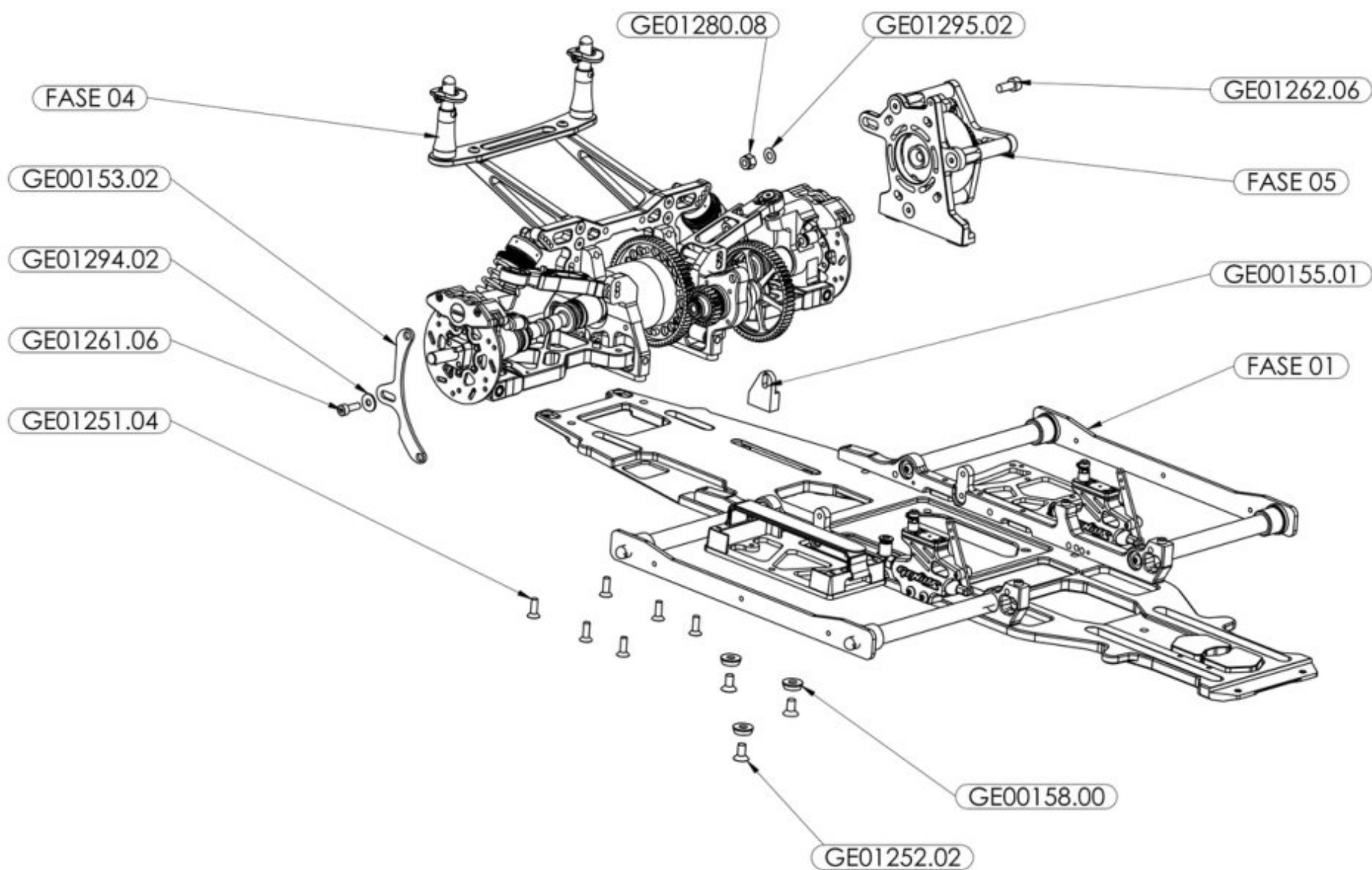


## 5. REAR SUSPENSION ASSEMBLY WITH CHASSIS

**XR4.22**

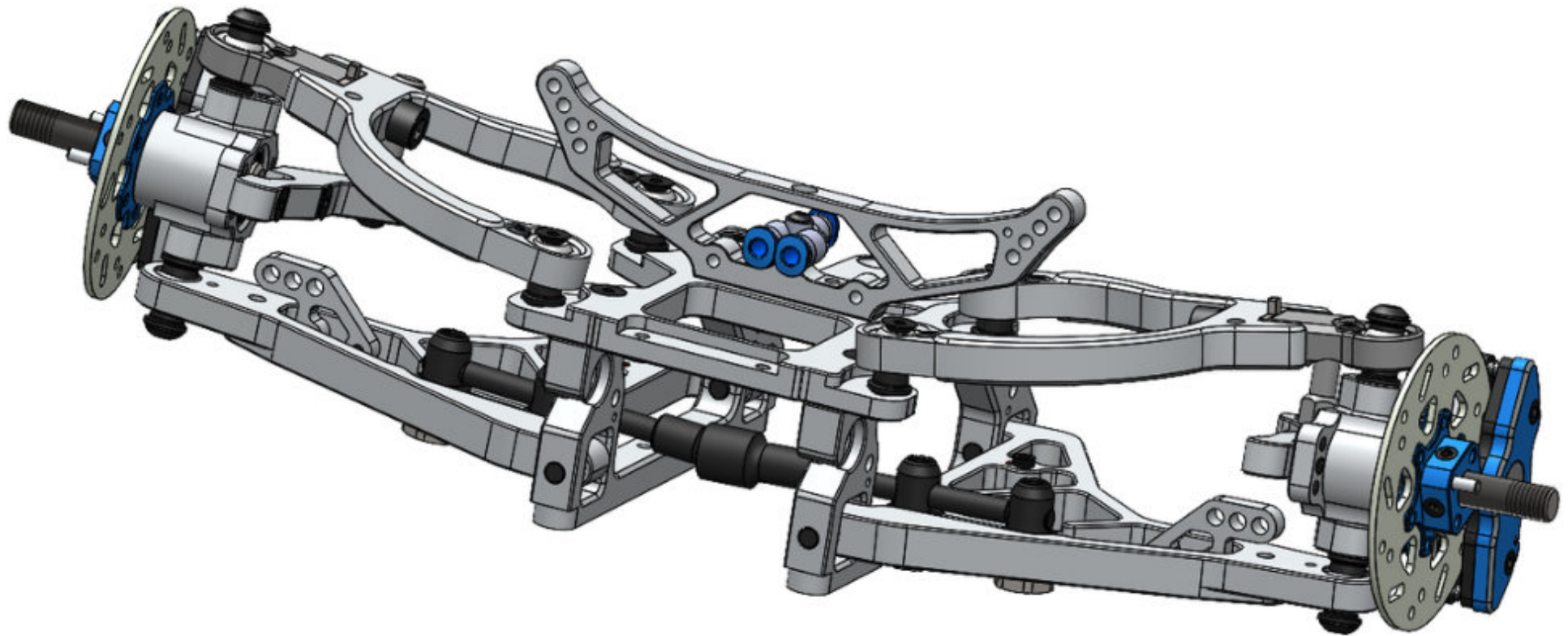


## FASE 06

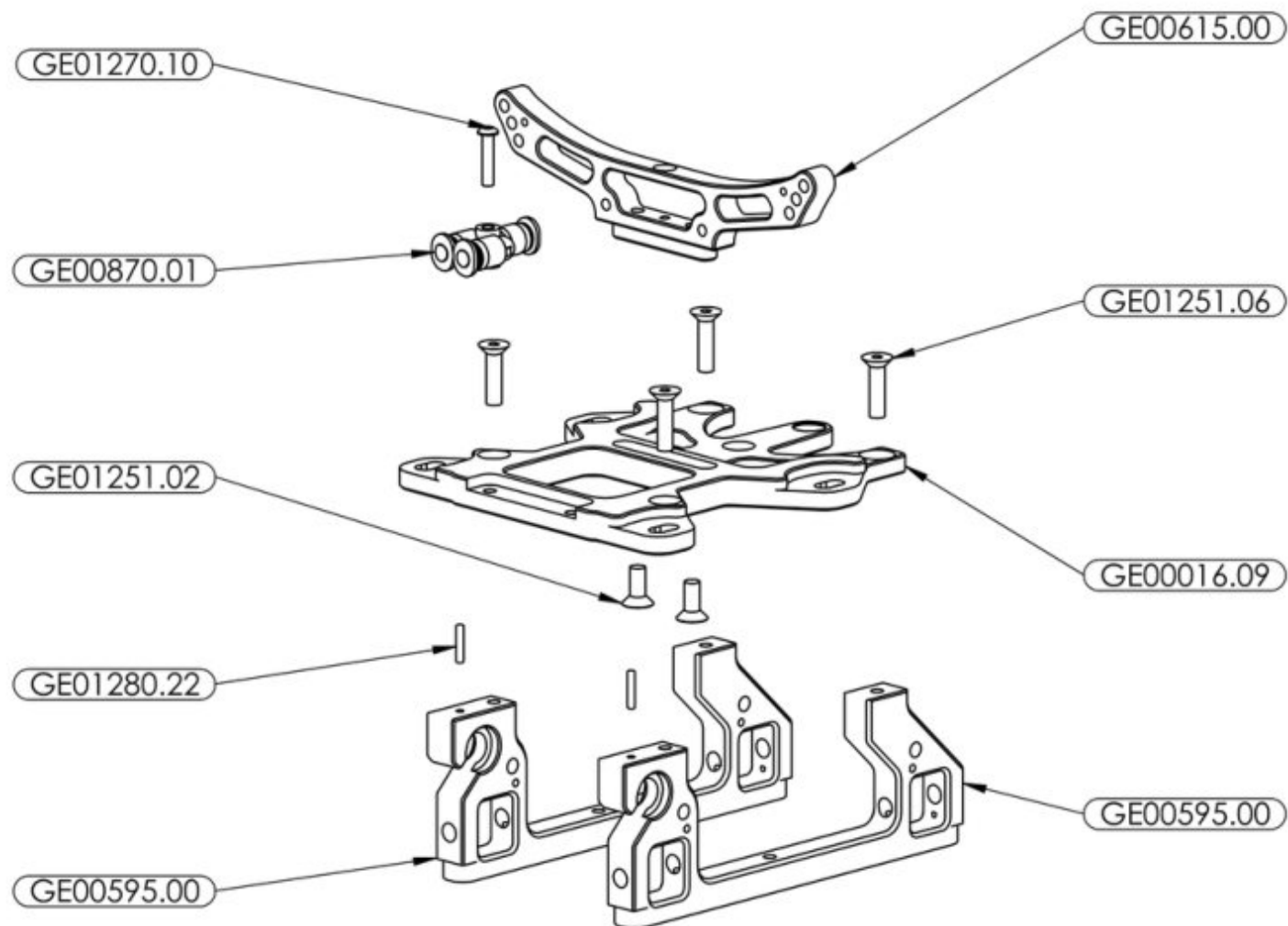


## 6. FRONT SUSPENSION ASSEMBLY

**XR4.22**

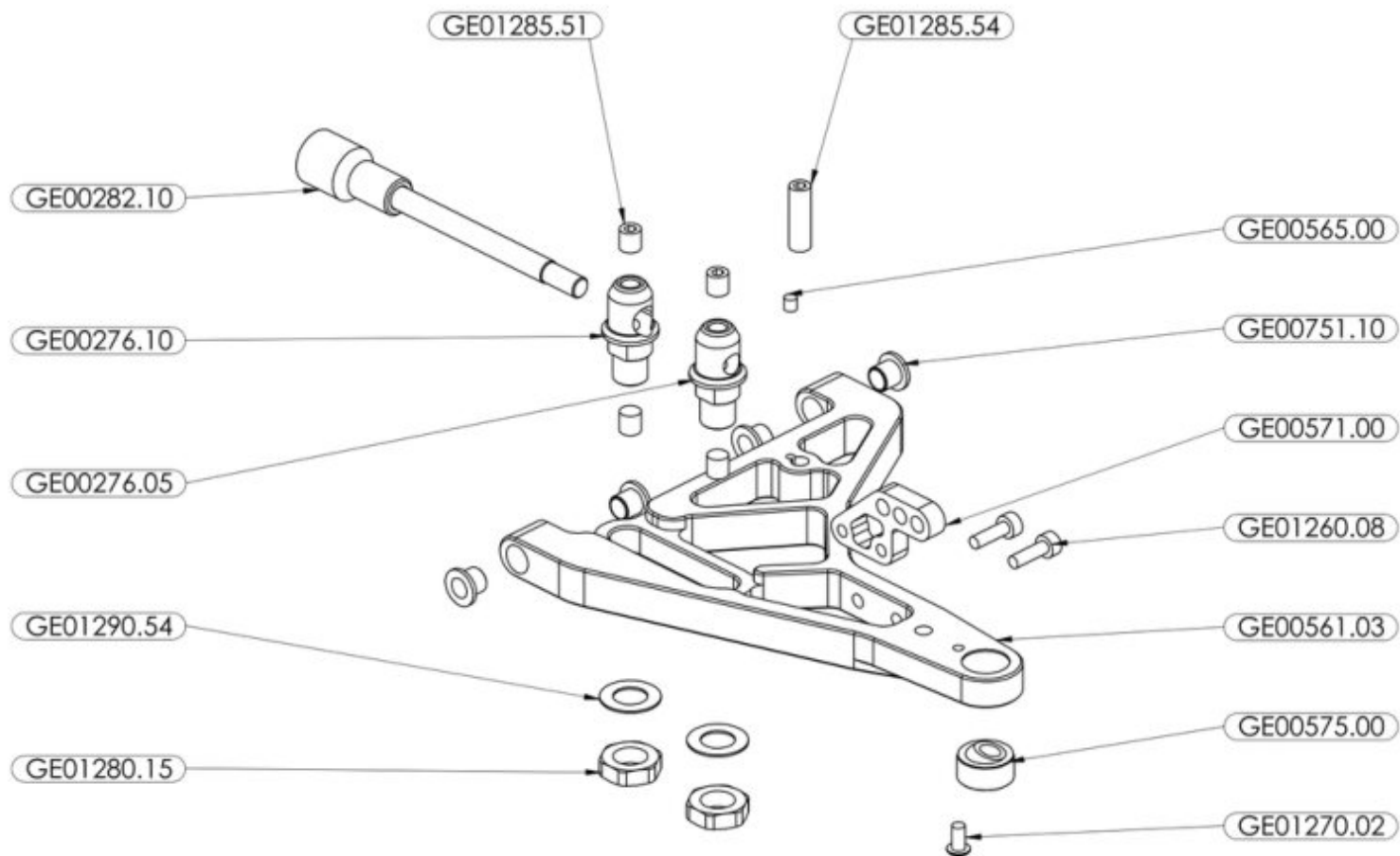


FASE 07.A





FASE 07.B



optional parts

optional parts

**DESCRIPTION**

**CODE**

**DESCRIPTION**

**CODE**

BARRA TORSIONE COMBO Ø6

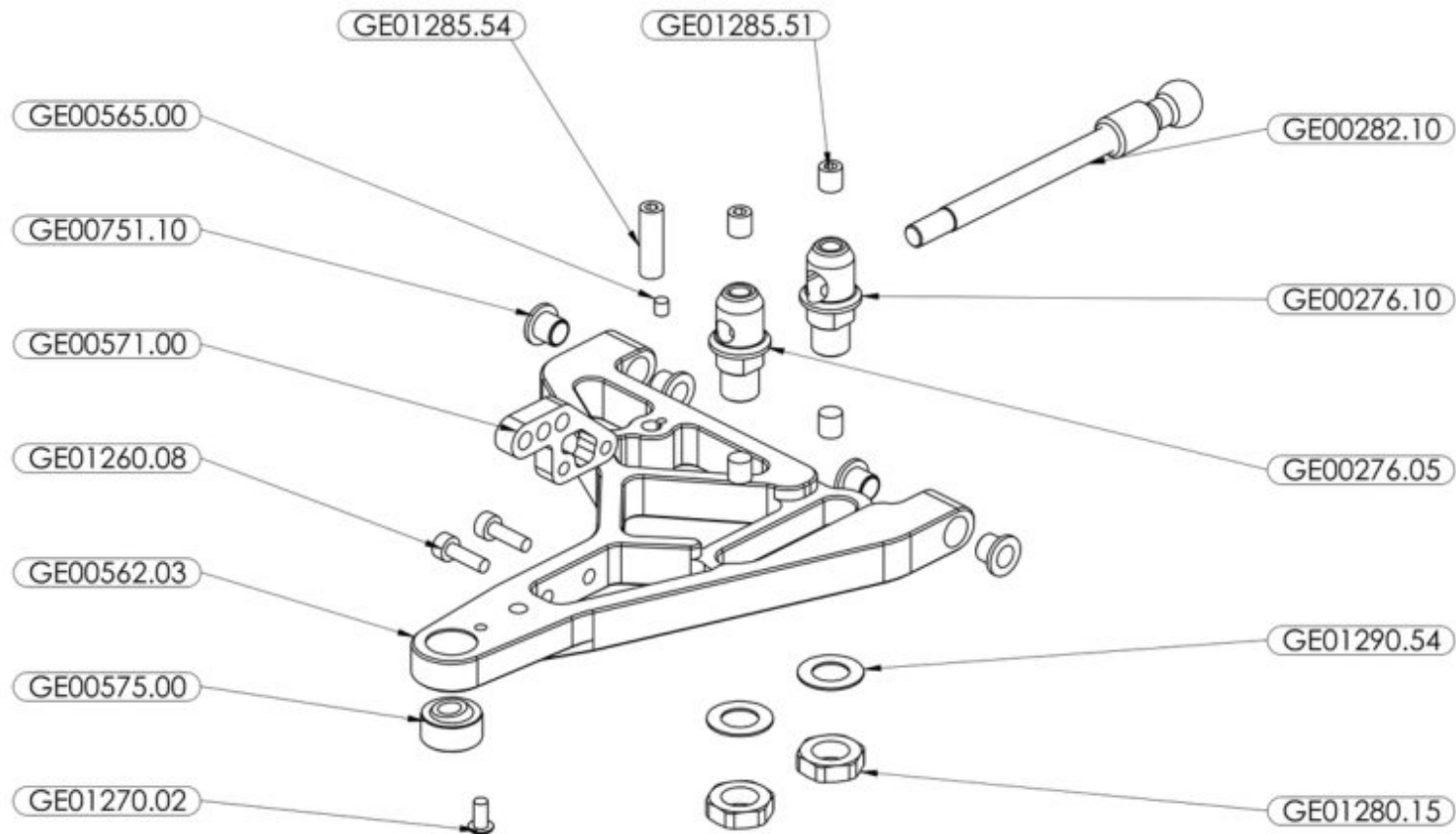
GE00283.10



CILINDRO BARRA TORSIONE Ø6

GE00276.20

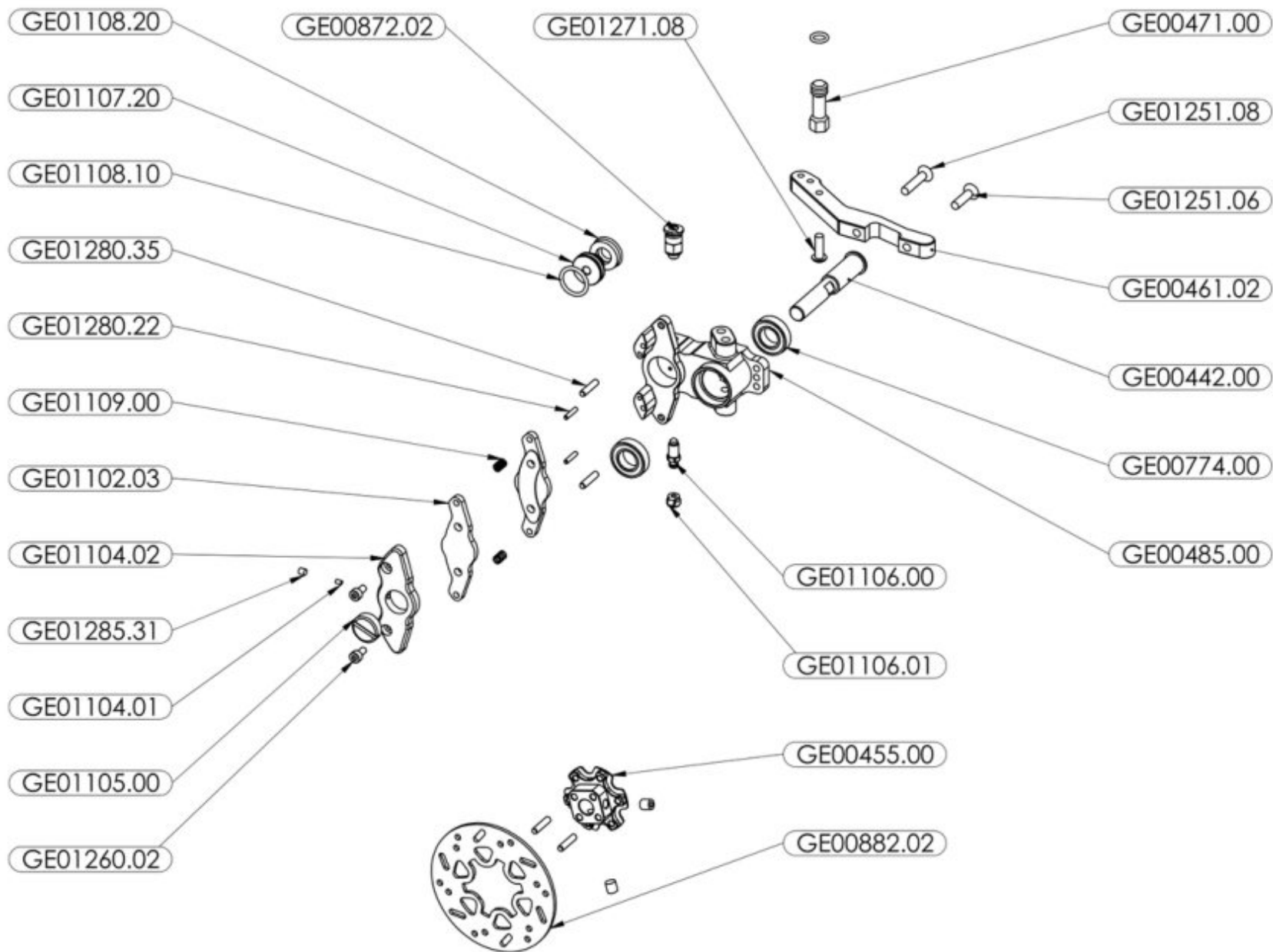


FASE 07.C

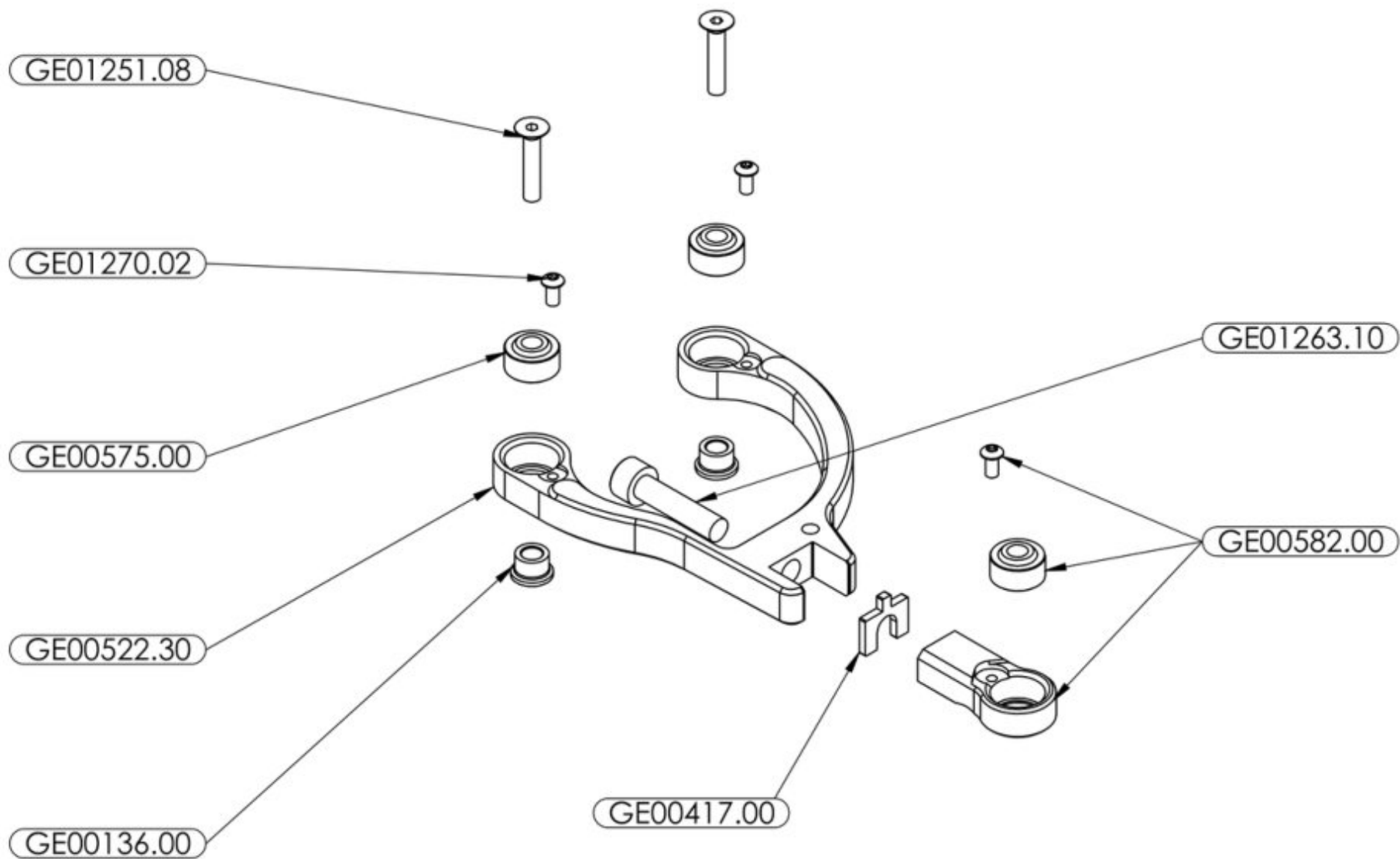


|   |             |   |             |
|---|-------------|---|-------------|
|  |             |  |             |
| optional parts  |             | optional parts  |             |
| <b>DESCRIPTION</b>  | <b>CODE</b> | <b>DESCRIPTION</b>  | <b>CODE</b> |
| BARRA TORSIONE COMBO Ø6   | GE00283.10  | CILINDRO BARRA TORSIONE Ø6  | GE00276.20  |
|   |             |   |             |

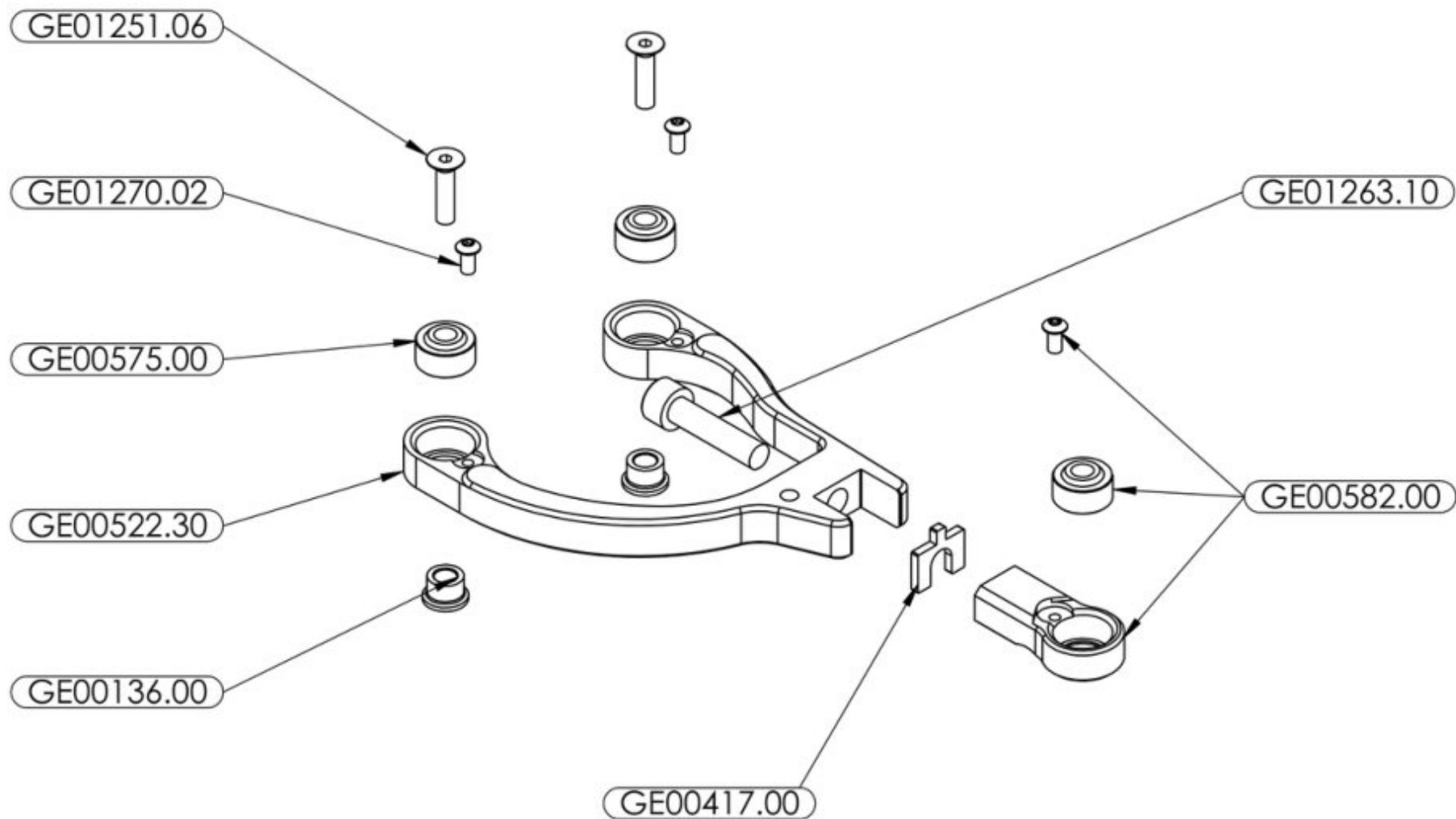
FASE 07.D



FASE 07.E

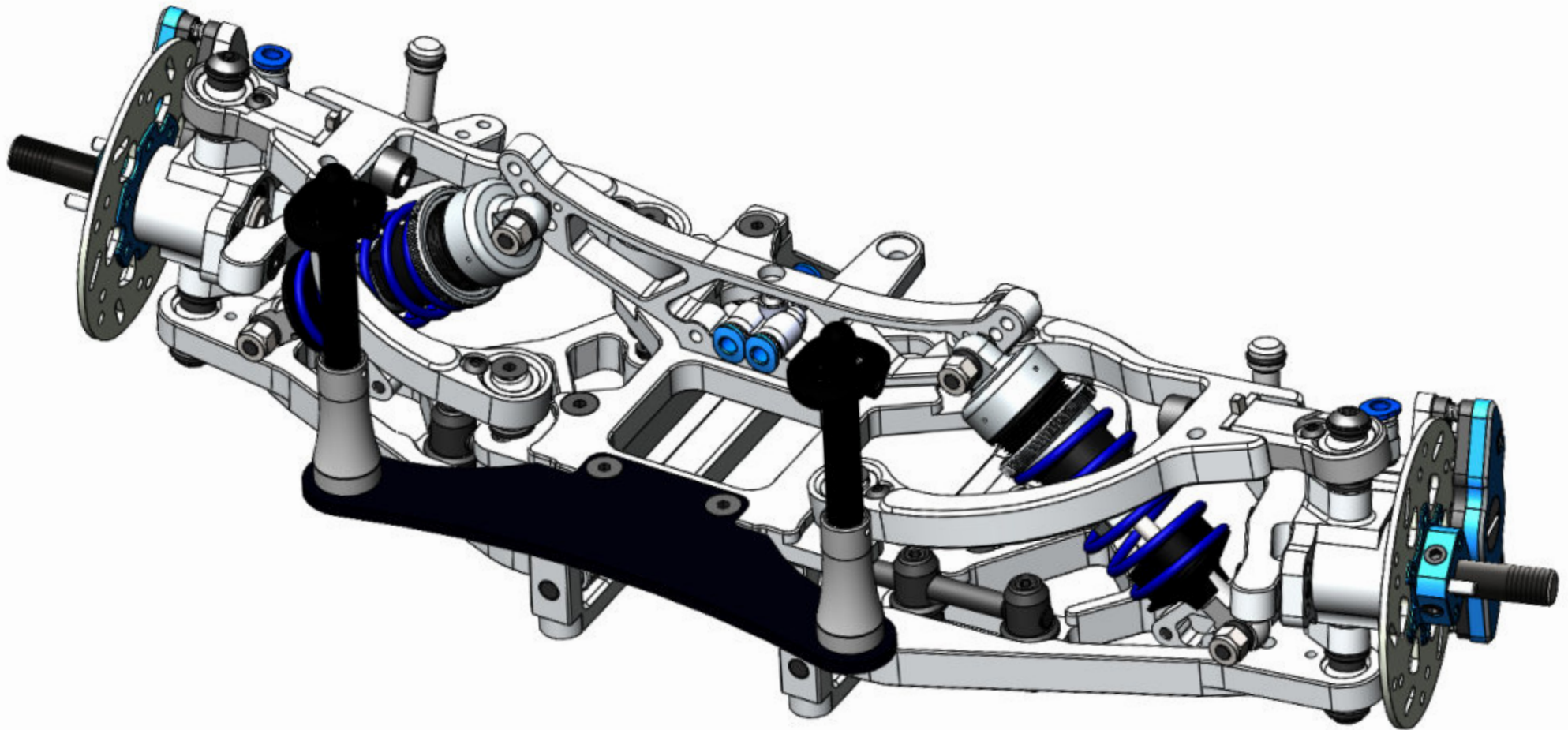


FASE 07.F



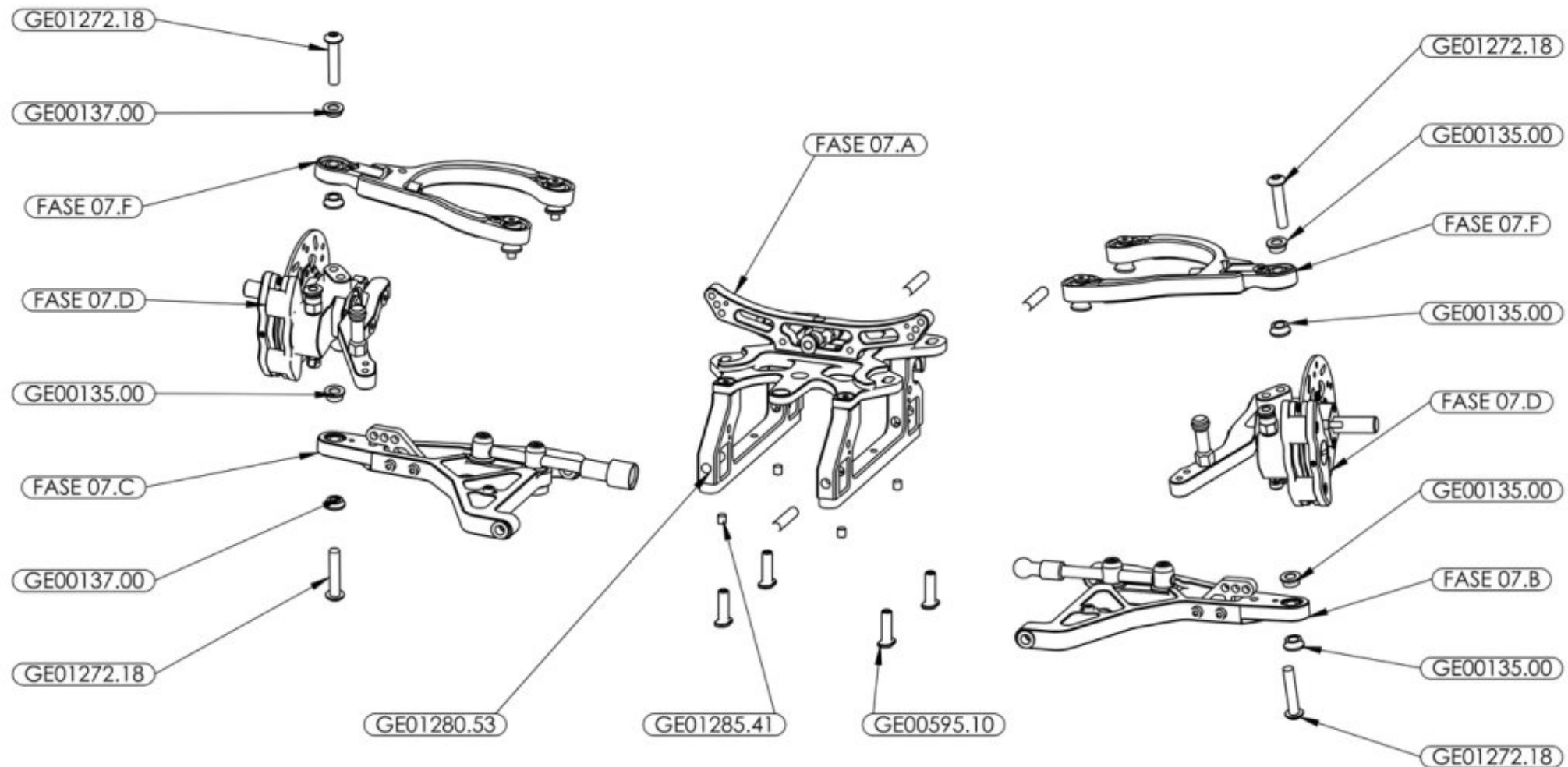
## 7. FRONT SUSPENSION ASSEMBLY WITH SHOCK ABSORBER

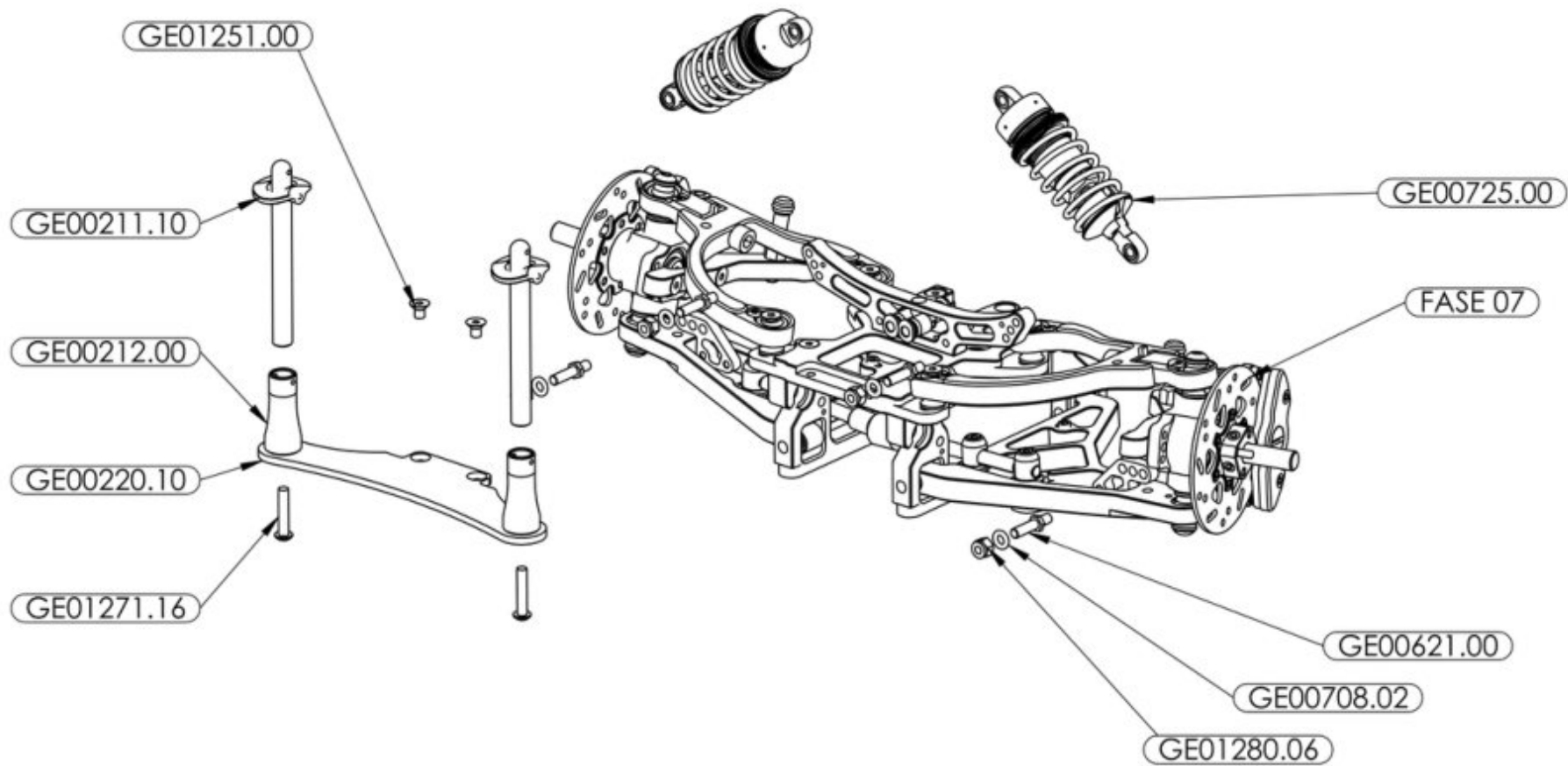
**XR4.22**





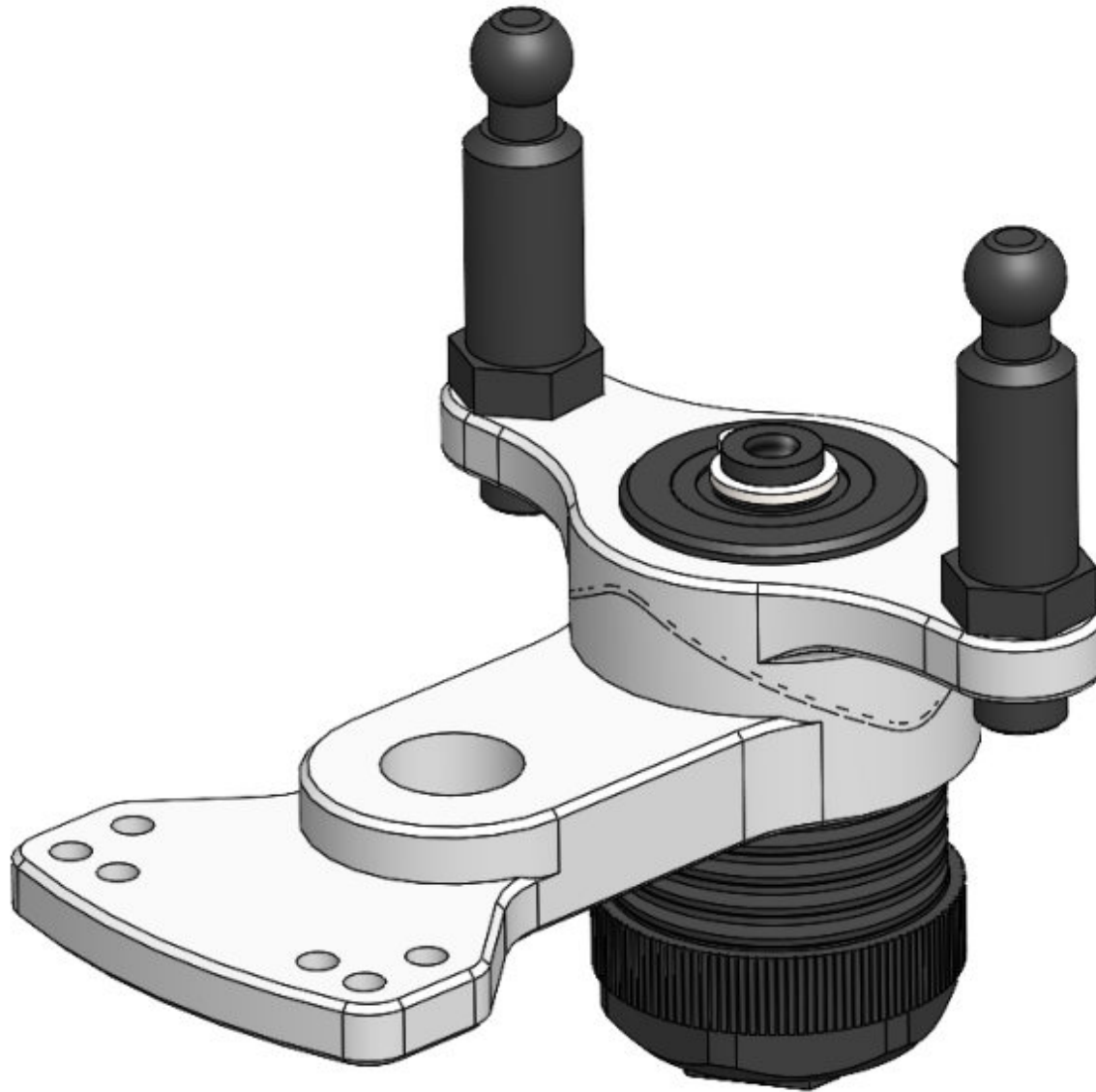
## FASE 07




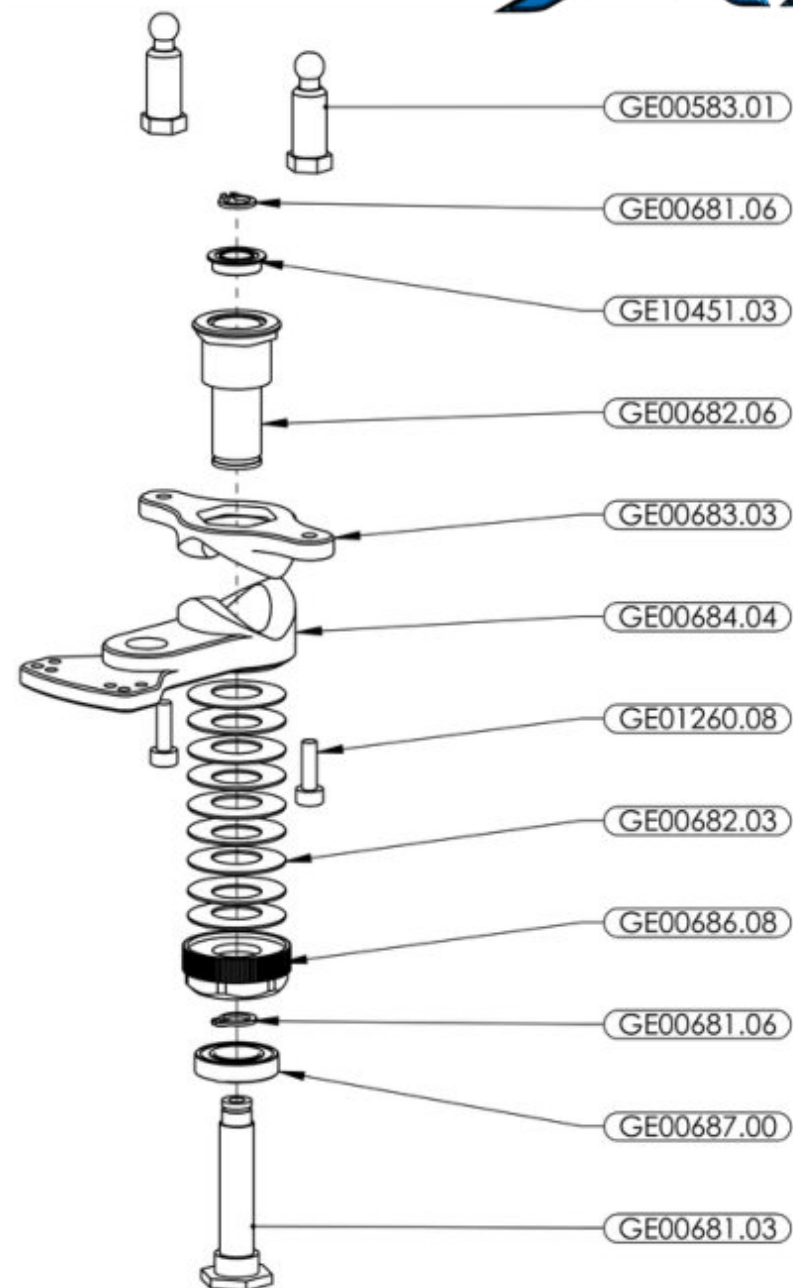


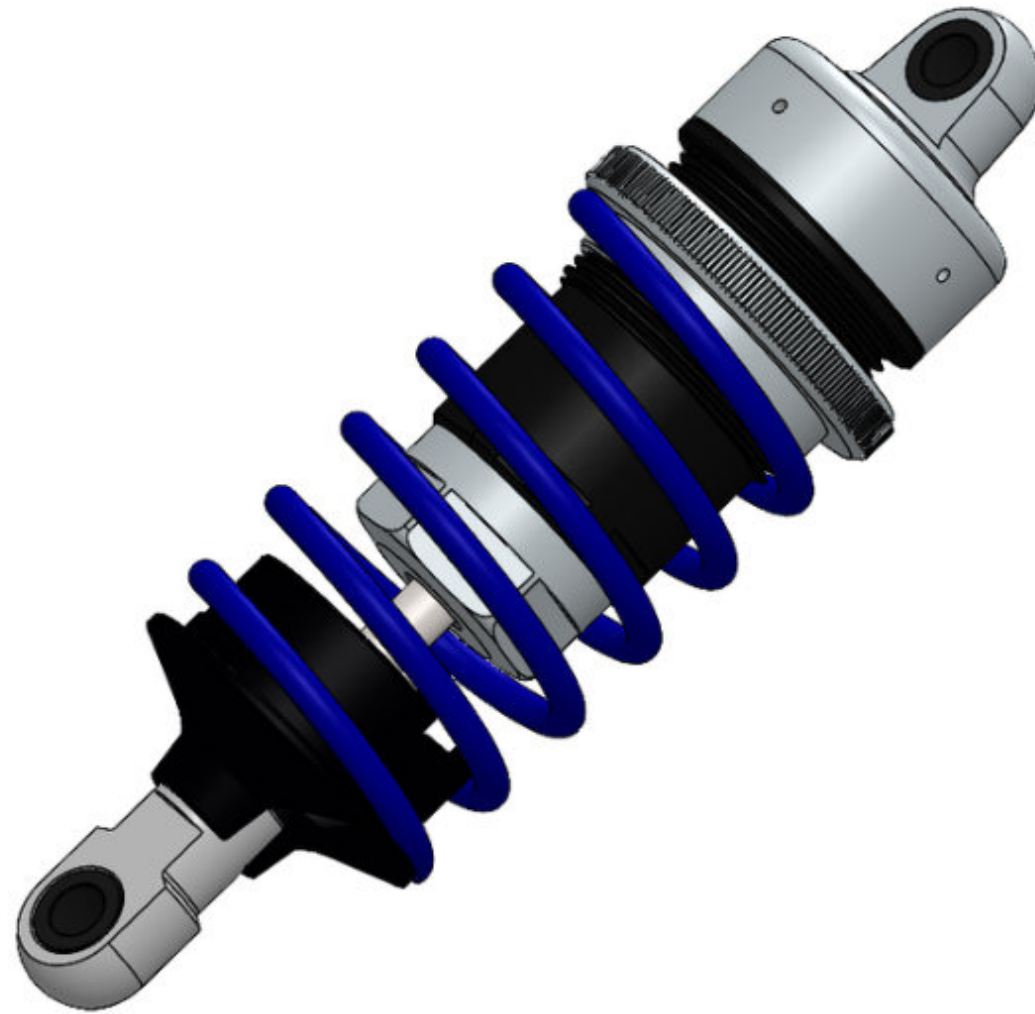
optional parts

| DESCRIPTION                   | CODE       |
|-------------------------------|------------|
| SUPPORTO CARROZZERIA CARBONIO | GE00220.11 |

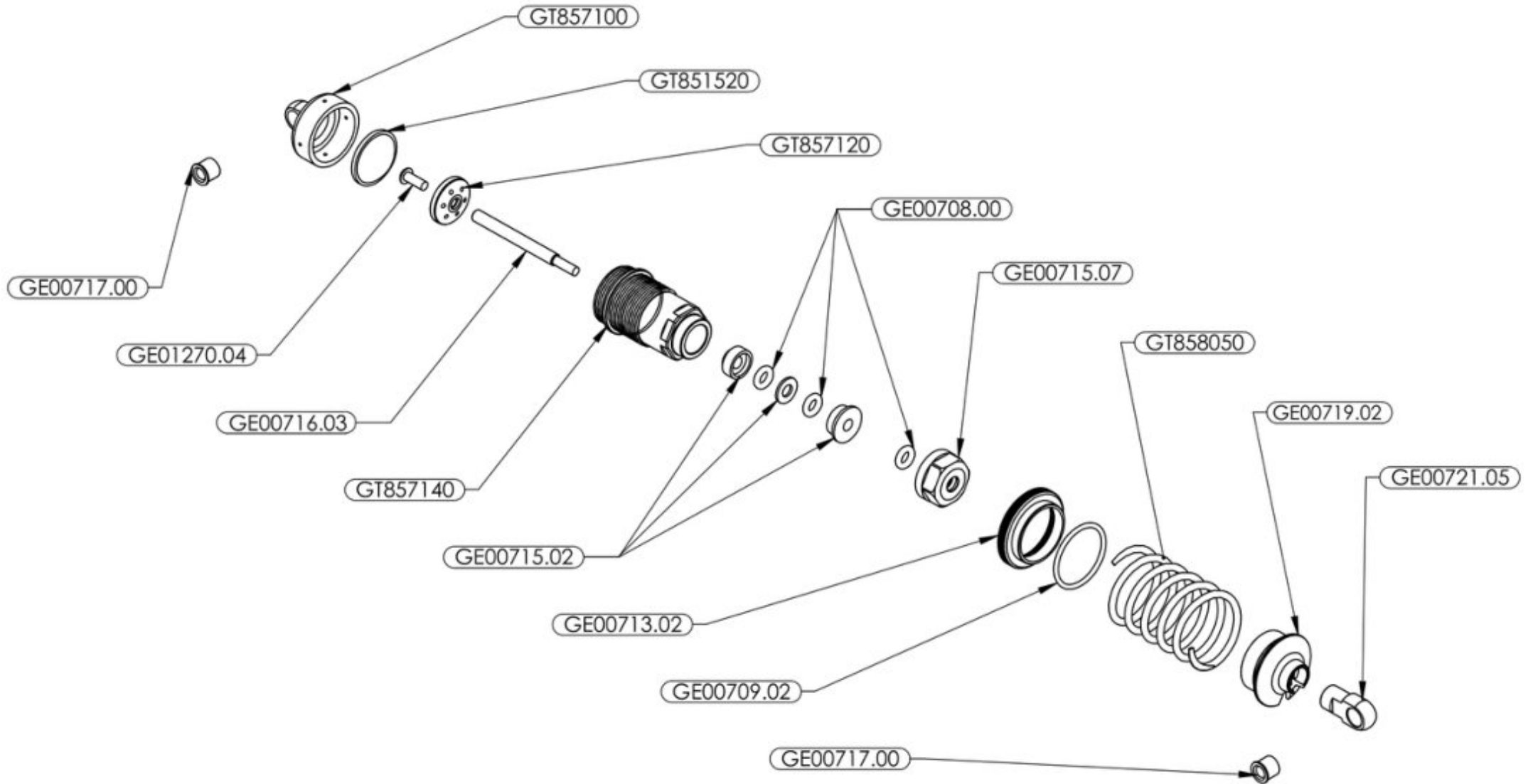


|   |            |
|---|------------|
|  |            |
| optional parts  |            |
| DESCRIZIONE   | CODICE     |
| SALVASERVO  | GE00685.10 |







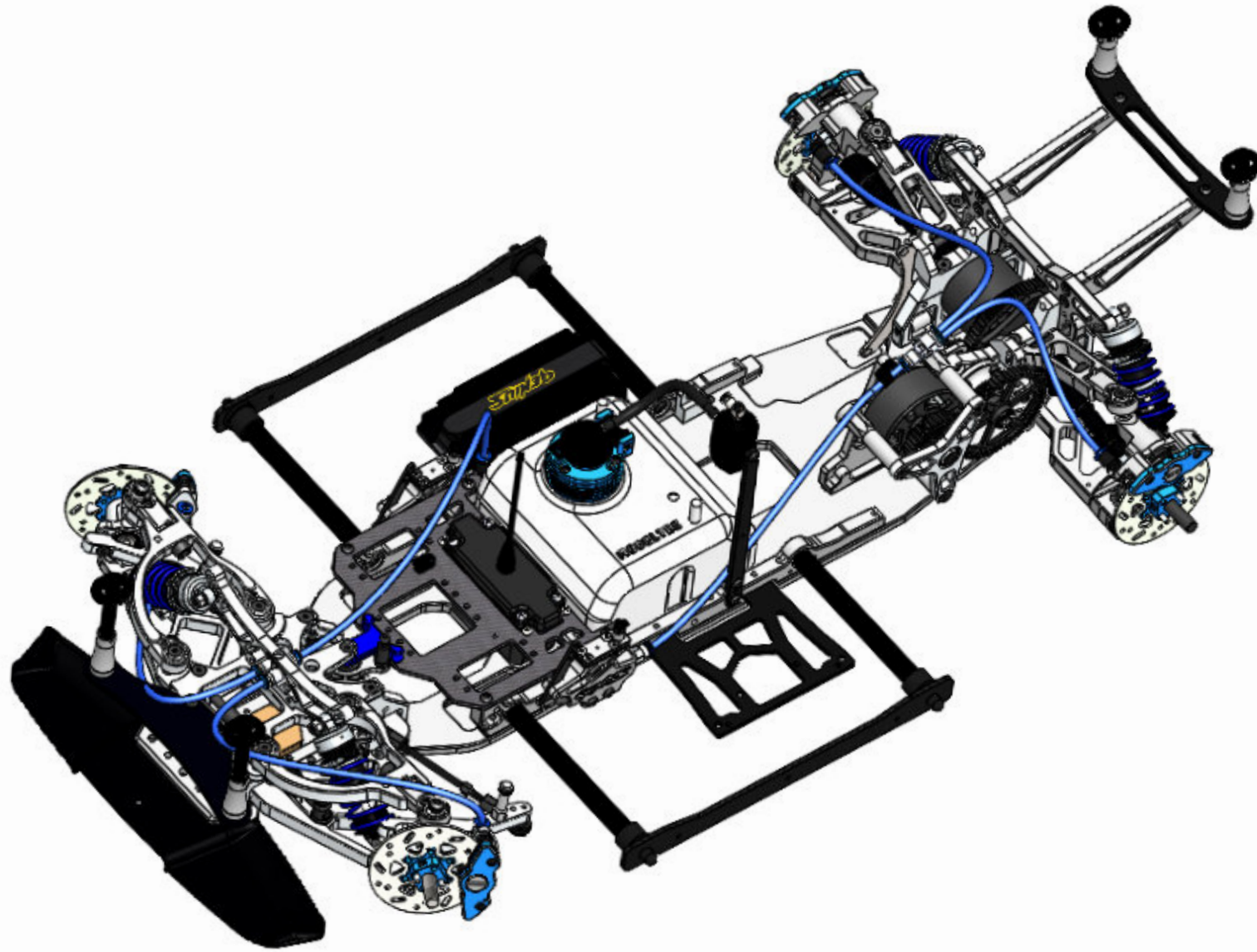


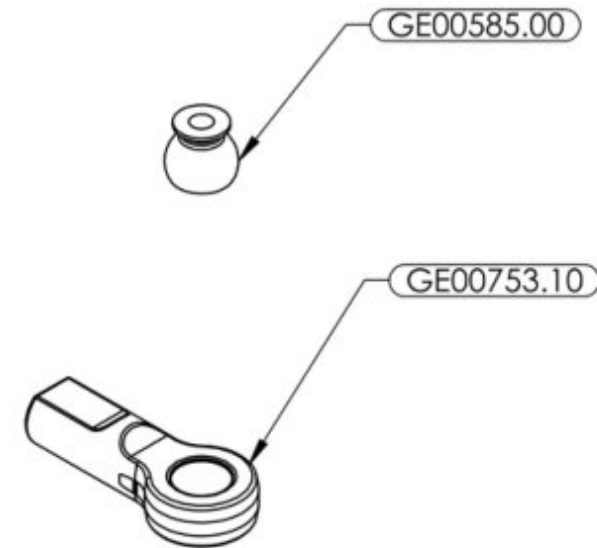
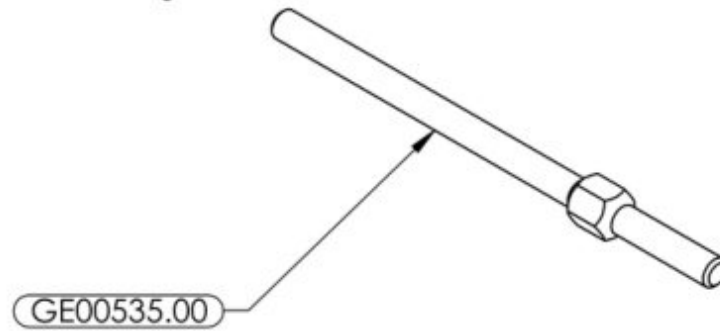
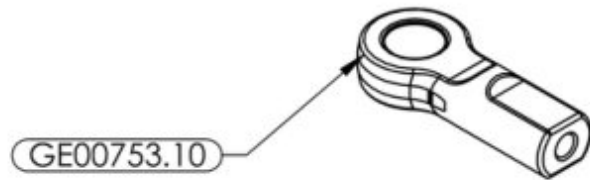
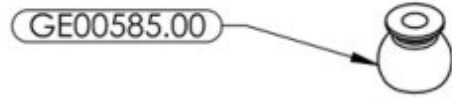
# SPRINGS



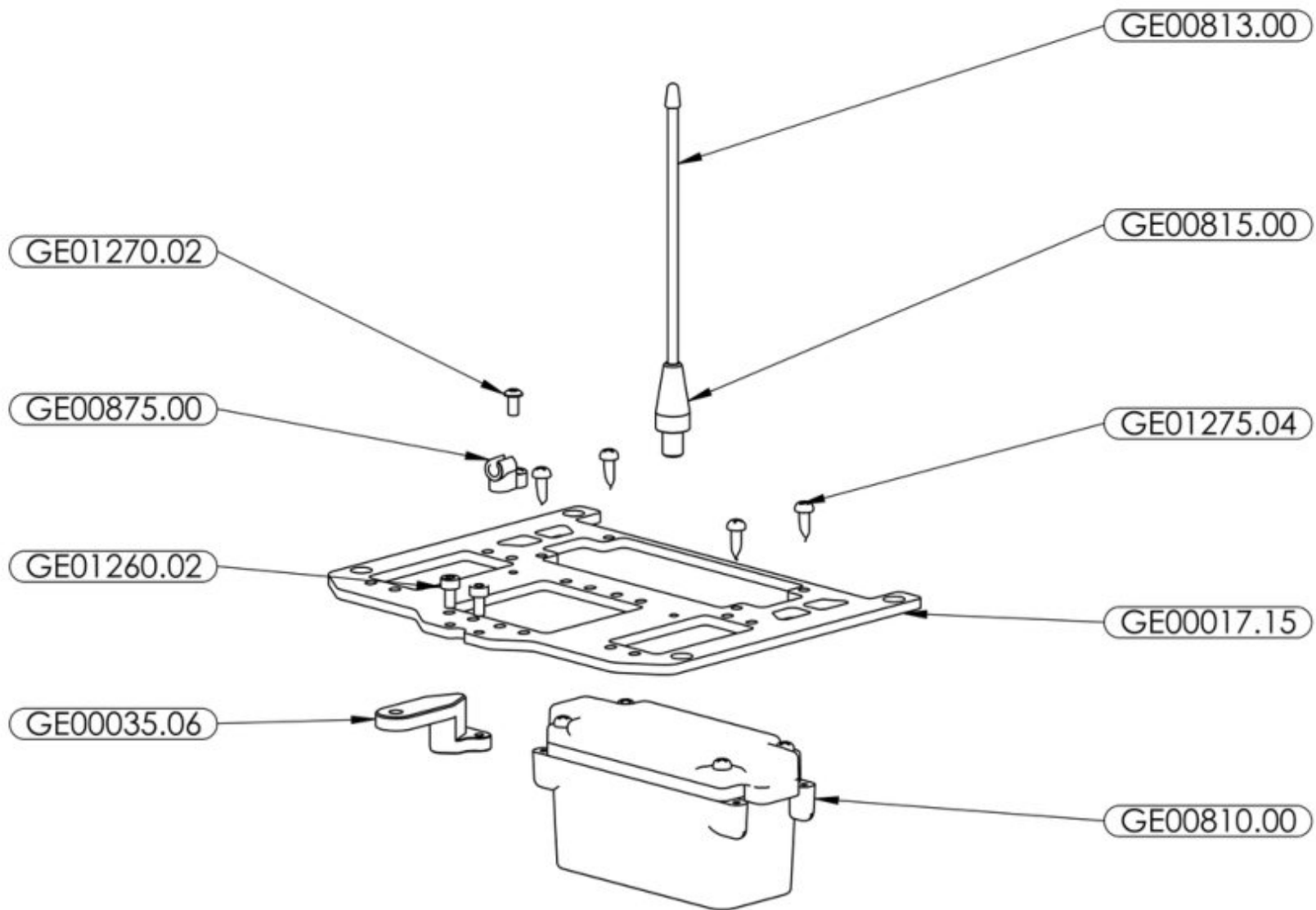
| CODE     | PRODUCT                                       | PHOTO |
|----------|---|-------|
| GT858000 | SHOCK SPRINGS SET                             |       |
| GT858040 | SHOCK SPRINGS BLACK - 4.0 COILS - HARD        |       |
| GT858045 | SHOCK SPRINGS BLUE - 4.5 COILS - MEDIUM/HARD  |       |
| GT858050 | SHOCK SPRINGS WHITE - 5.0 COILS - MEDIUM      |       |
| GT858055 | SHOCK SPRINGS RED - 5.5 COILS - MEDIUM/SOFT   |       |
| GT858060 | SHOCK SPRINGS YELLOW - 6.0 COILS - SOFT       |       |
| GT858065 | SHOCK SPRINGS ORANGE - 6.5 COILS - SUPER SOFT |       |

| CODE     | PRODUCT                                  | PHOTO |
|----------|--|-------|
| GT858070 | SHOCK SPRINGS - LINEAR - DARK BLUE       |       |
| GT858075 | SHOCK SPRINGS - LINEAR - DARK GRAY       |       |
| GT858080 | SHOCK SPRINGS - PROGRESSIVE - GOLD       |       |
| GT858085 | SHOCK SPRINGS - PROGRESSIVE - PURPLE     |       |
| GT858090 | SHOCK SPRINGS - PROGRESSIVE - SILVER     |       |
| GT858095 | SHOCK SPRINGS - PROGRESSIVE - OCRA       |       |
| GT858100 | SHOCK SPRINGS - PROGRESSIVE - GREEN FLUO |       |

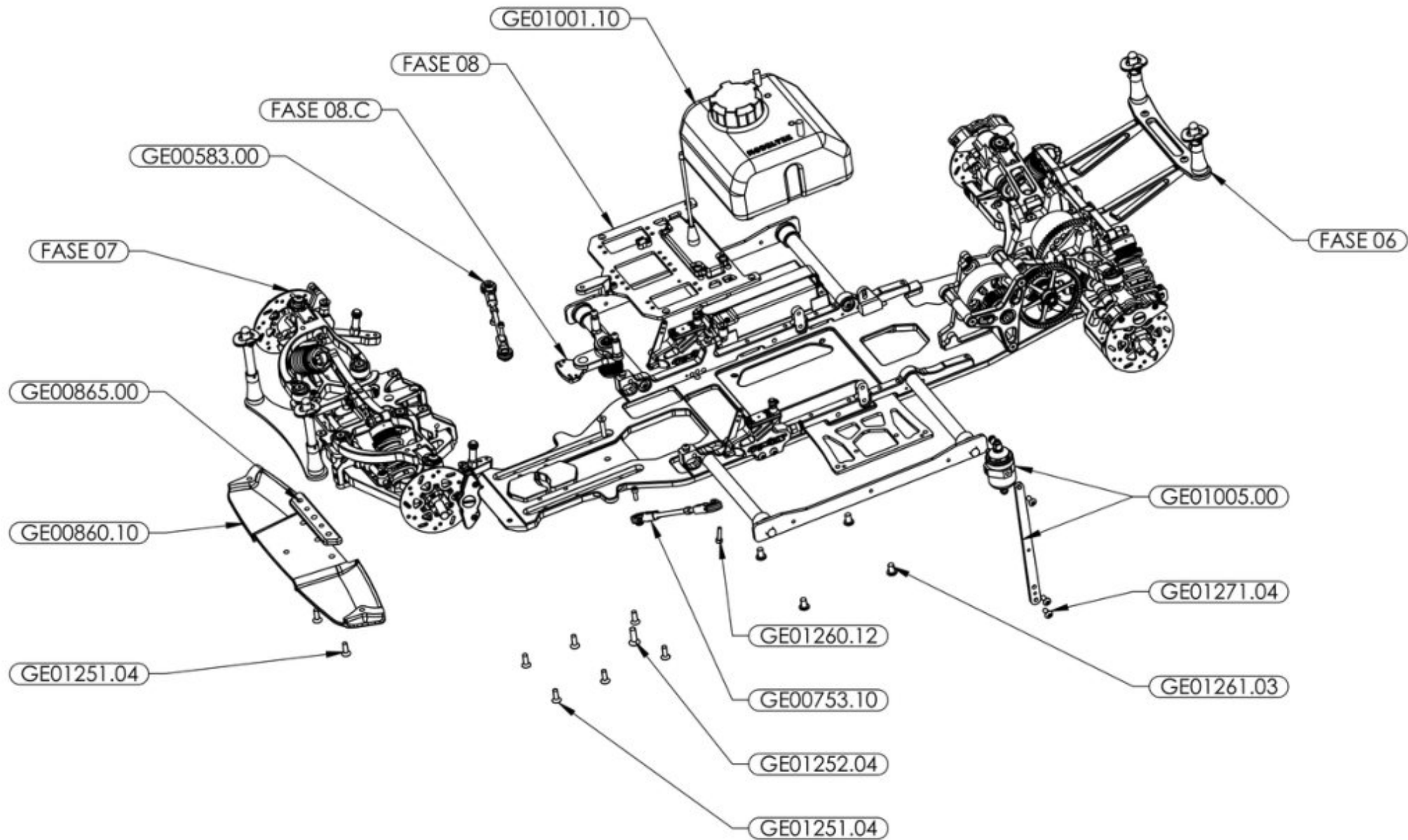




FASE 08









Tecnologia del modellismo

**Modeltek**

di Noacco Zeno

Via Madonna di Strada, 34 • 33048 San Giovanni al Natisone - Ud - Italy

Tel. +39 0432 1849976

[www.genius-racing.com](http://www.genius-racing.com) e-mail: [info@genius-racing.com](mailto:info@genius-racing.com)

shop: [www.modeltekshop.com](http://www.modeltekshop.com)