

DRIVER	
DATE	Base start 2022
TRACK	

TRACK TEMP	
-------------------	--

CONDITION	TECH <input checked="" type="checkbox"/> CAL	MIXED	FOT <input checked="" type="checkbox"/>
------------------	--	-------	---

TRACTION	LOW	MED <input checked="" type="checkbox"/> UM	H <input checked="" type="checkbox"/>
-----------------	-----	--	---------------------------------------

SHOCKS

	OIL	SPRING	HOLE
FRONT	4000	BLUE	STD
REAR	2000	RED	STD

TIRES

	BRAND	FRONT	REAR
RIGHT			
LEFT			

ADITIVE	
----------------	--

BODY	
-------------	--

ENGINE	
---------------	--

AIR FILTER	GENIUS
-------------------	--------

EXHAUST	BEST-PIPE
----------------	-----------

CLUTCH	GENIUS 3 PTS std
---------------	------------------

TRANSMISSION GEAR

ENGINE

28	34	28	26
---------------	----	---------------	---------------

MIDDLE AXLE

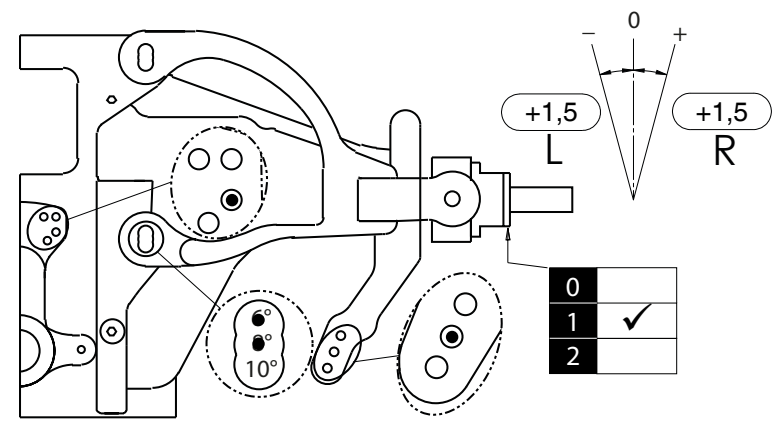
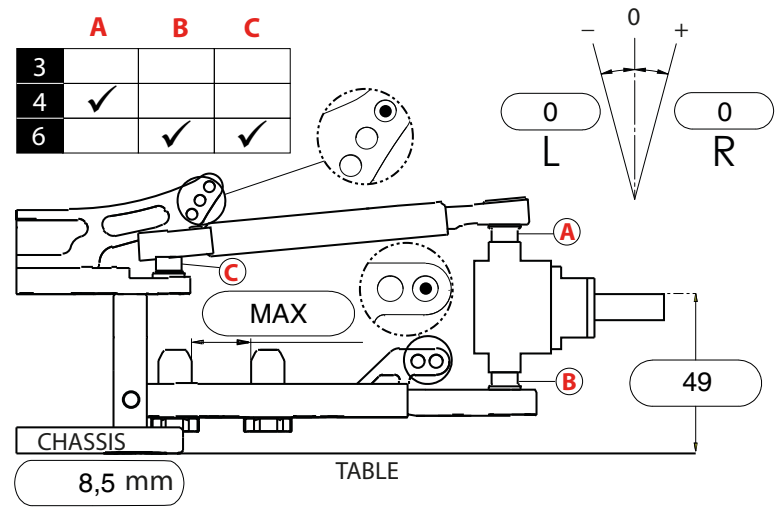
24	28
----	---------------

ROLL BARR

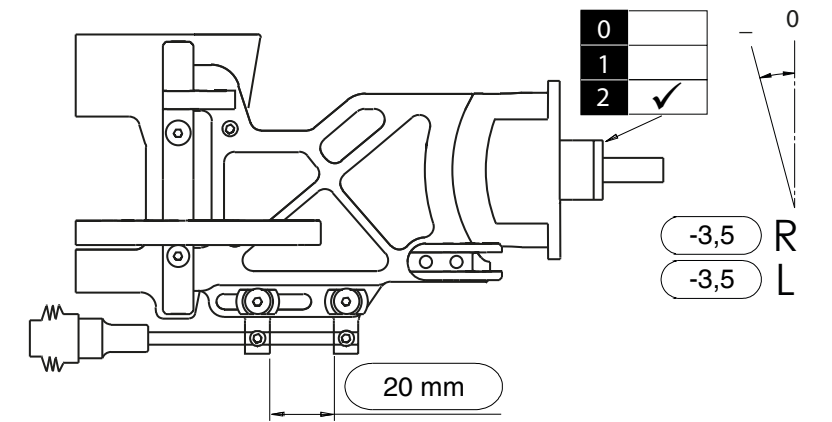
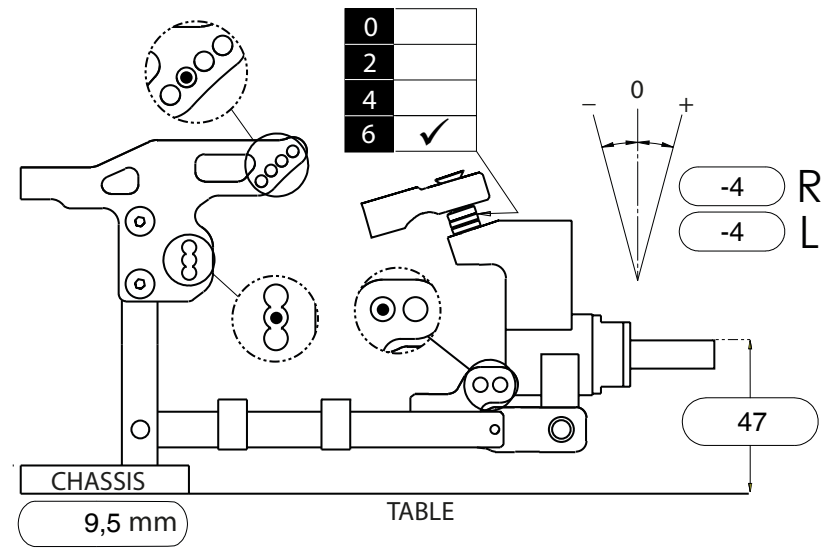
FRONT	STD 5,5 MM
--------------	------------

REAR	STD 4,0 MM
-------------	------------

FRONT



REAR



DIFFERENTIAL UNIT

MODEL	MODE RAIN	FRONT	SIDE
-------	-----------	-------	------

OIL		50 GRAMS	
------------	--	----------	--

CONFIGURATION		100 GRAMS	
----------------------	--	-----------	--

NOTES

--