

<b>DRIVER</b>	
<b>DATE</b>	Base start 2022
<b>TRACK</b>	

<b>TRACK TEMP</b>	
-------------------	--

<b>CONDITION</b>	TECH <input checked="" type="checkbox"/> CAL	MIXED	FIT <input checked="" type="checkbox"/>
------------------	--	-------	---

<b>TRACTION</b>	<input checked="" type="checkbox"/>	MEDIUM	HIGH
-----------------	-------------------------------------	--------	------

### SHOCKS

	OIL	SPRING	HOLE
<b>FRONT</b>	4000	BLACK	STD
<b>REAR</b>	2000	RED	STD

### TIRES

	BRAND	FRONT	REAR
<b>RIGHT</b>			
<b>LEFT</b>			

<b>ADITIVE</b>	
----------------	--

<b>BODY</b>	
-------------	--

<b>ENGINE</b>	
---------------	--

<b>AIR FILTER</b>	GENIUS
-------------------	--------

<b>EXHAUST</b>	BEST-PIPE
----------------	-----------

<b>CLUTCH</b>	GENIUS 3 PTS std
---------------	------------------

<b>TRANSMISSION GEAR</b>	
--------------------------	--

<b>ENGINE</b>	
---------------	--

<input checked="" type="checkbox"/>	34	<input checked="" type="checkbox"/>	<input checked="" type="checkbox"/>
-------------------------------------	----	-------------------------------------	-------------------------------------

### MIDDLE AXLE

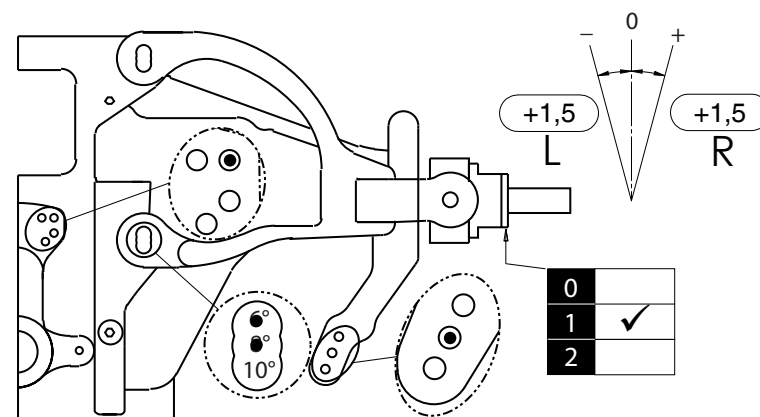
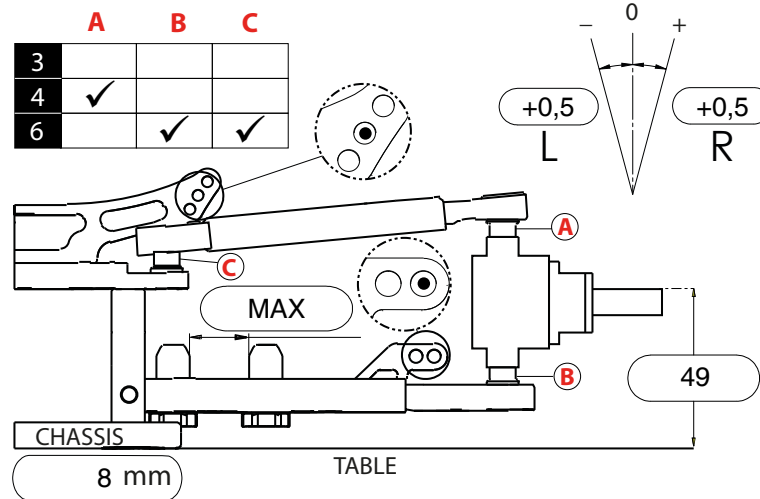
24	<input checked="" type="checkbox"/>
----	-------------------------------------

### ROLL BARR

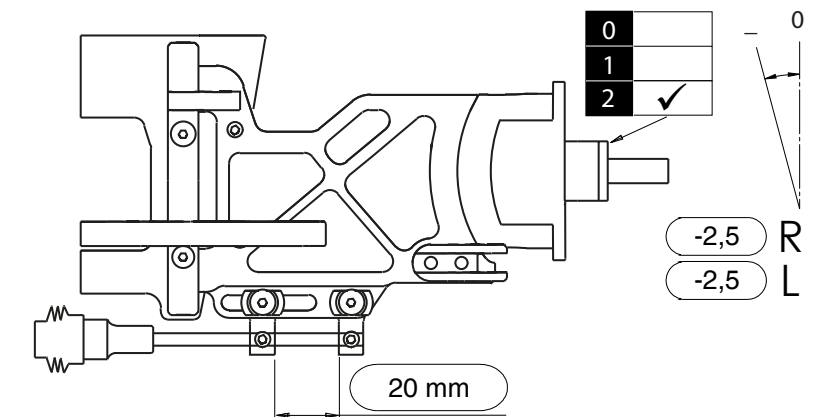
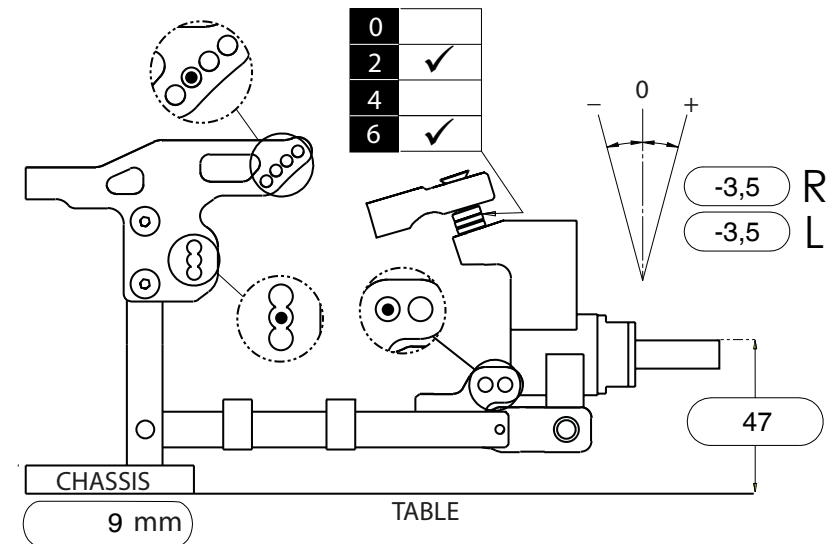
<b>FRONT</b>	STD 5,5 MM
--------------	------------

<b>REAR</b>	STD 4,0 MM
-------------	------------

## FRONT



## REAR



### DIFFERENTIAL UNIT

<b>MODEL</b>		<b>FRONT</b>	<b>SIDE</b>
--------------	--	--------------	-------------

<b>OIL</b>		<b>50 GRAMS</b>	
------------	--	-----------------	--

<b>CONFIGURATION</b>		<b>100 GRAMS</b>	
----------------------	--	------------------	--

### NOTES

--

--

--