

SET UP

FR24



DRIVER MARINOT Sébastien

TRACK SETUP DE BASE

DATE 06/02/2024

TRACK TEMP

CONDITION TECHNICAL MIXED FAST

TRACTION LOW MEDIUM HIGH

SHOCKS

	OIL	SPRING	HOLE
FRONT	4000	blanc	6 x 1.5
REAR	6000	rouge	6 x 1.5

ANGLE STEERING

TIRES

	DX	SX	ADDITIVE
FRONT	pmt soft		
REAR	pmt soft		

BODY Lightscall 0.7mm

ENGINE MPR 270

AIR FILTER lightscall

EXHAUST Samba fl titane

CLUTCH Tourex

TRANSMISSION

ENGINE

<input checked="" type="checkbox"/>	32	33	34
-------------------------------------	----	----	----

MIDLE AXLE

24	<input checked="" type="checkbox"/>
----	-------------------------------------

TOTAL RATIO

DIFFERENTIAL UNIT

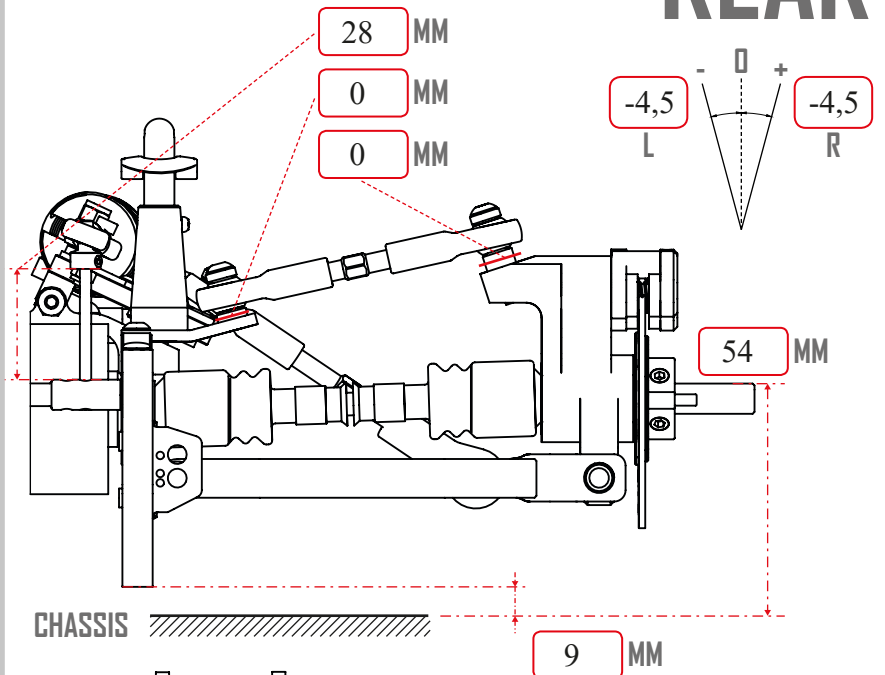
MODEL SCS

OIL GREASE

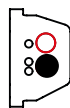
SET-UP 100% position 1

NOTE

REAR



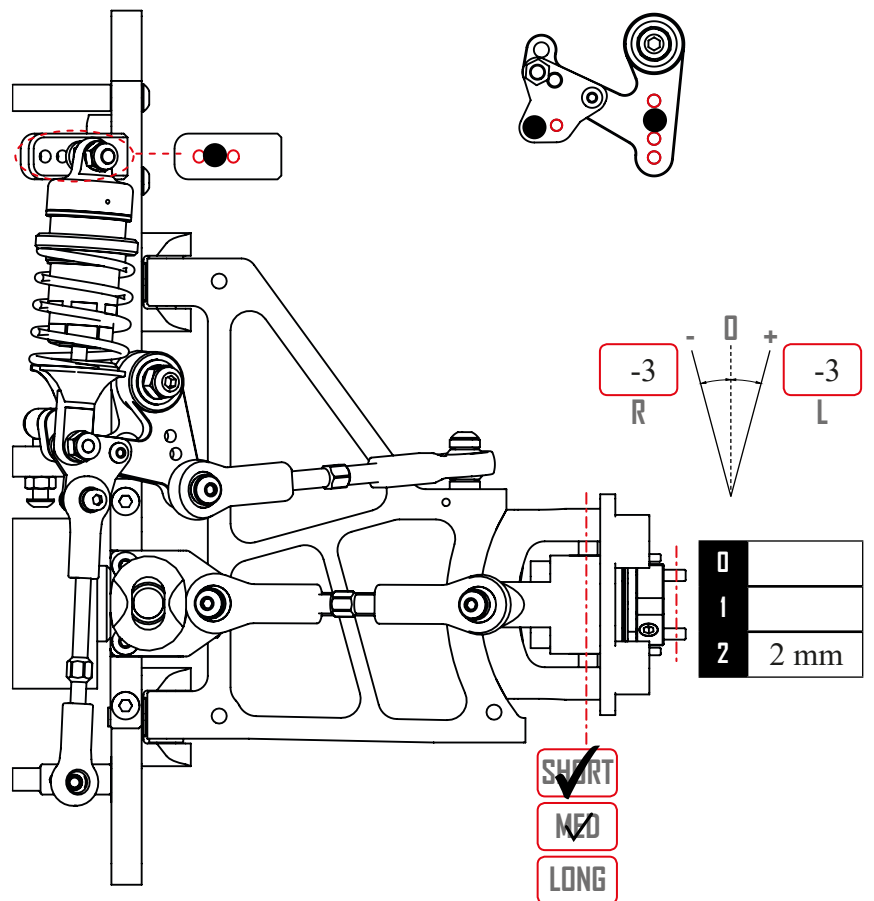
CHASSIS



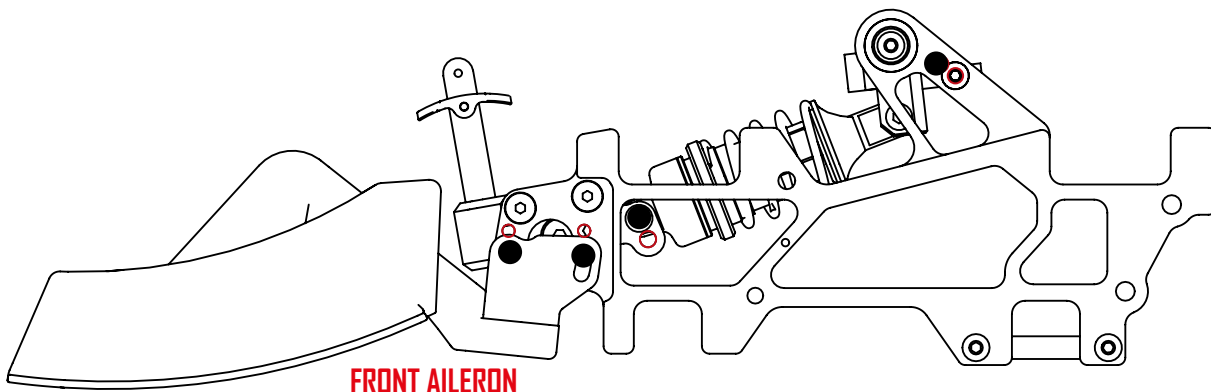
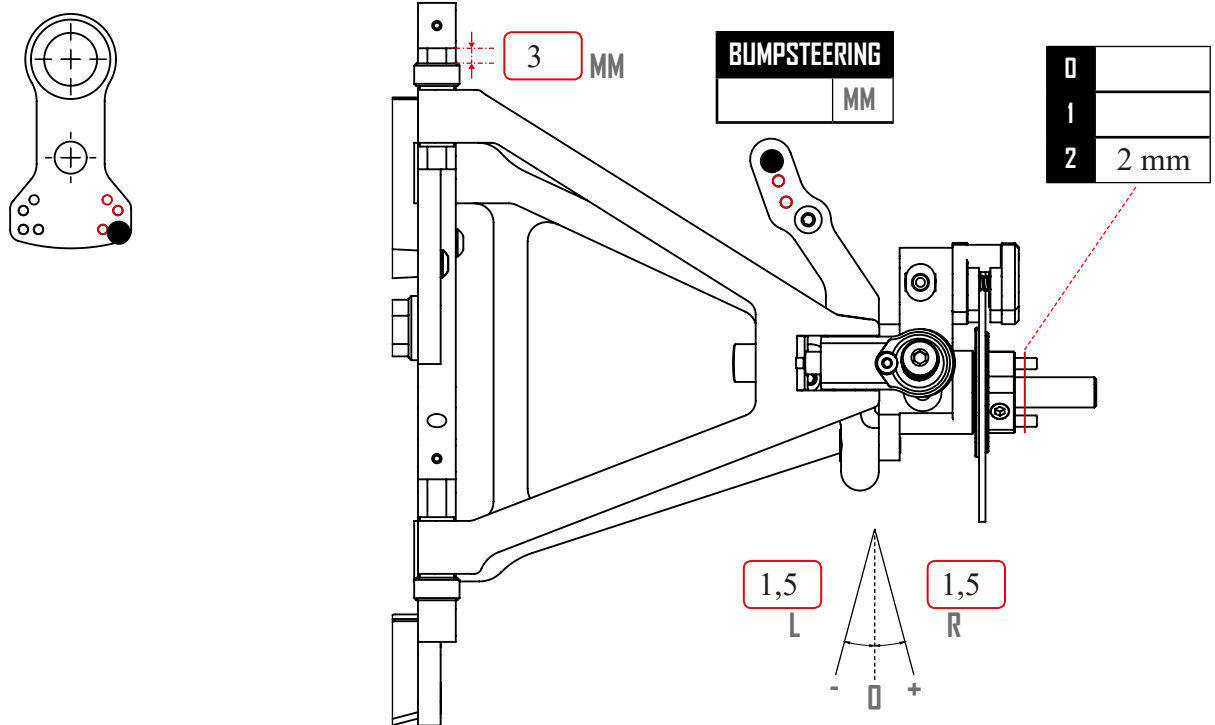
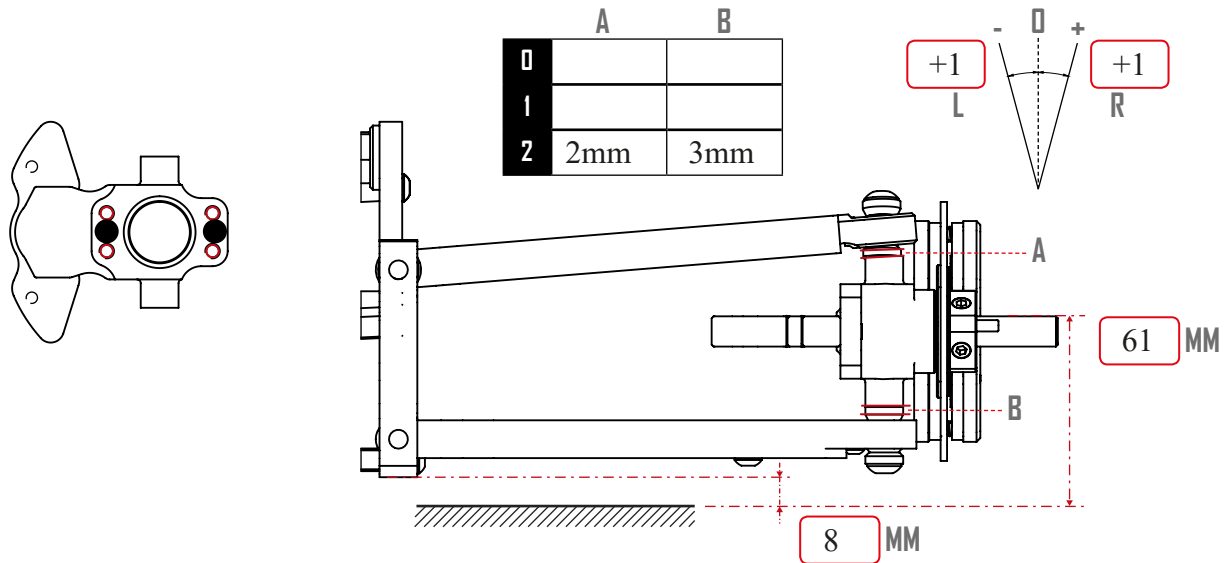
POS. A



POS. B



FRONT



FRONT AILERON