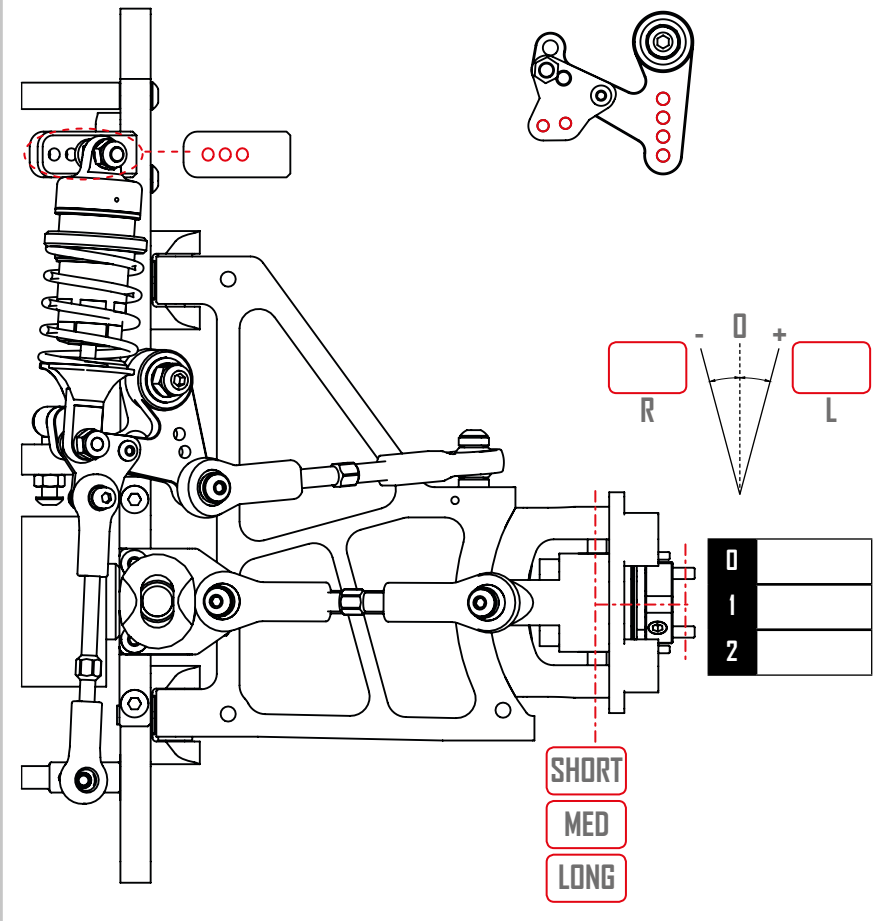
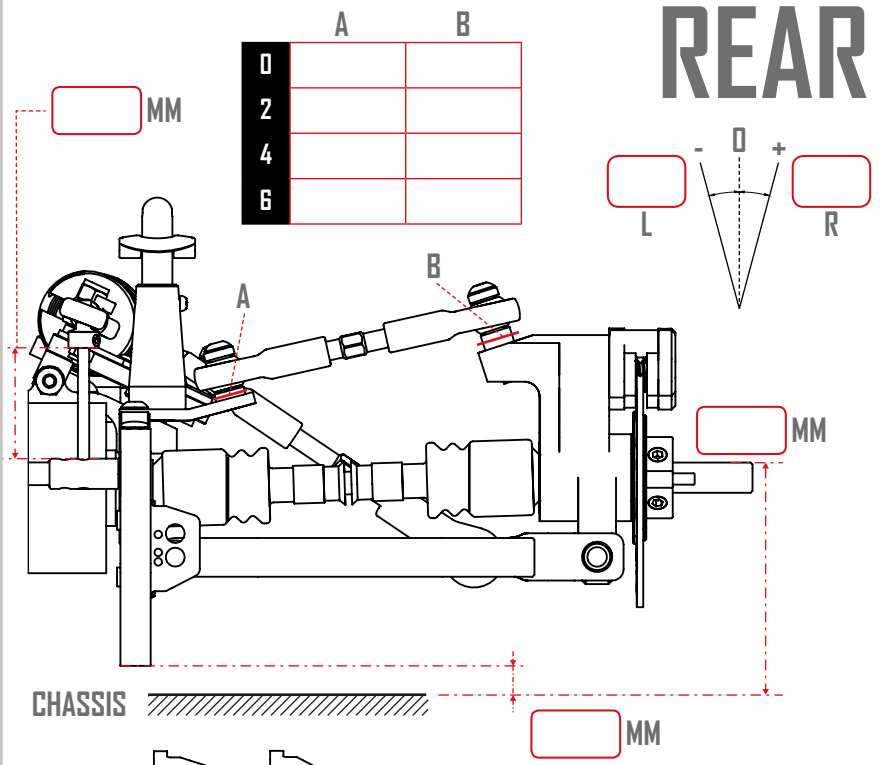


# SET UP

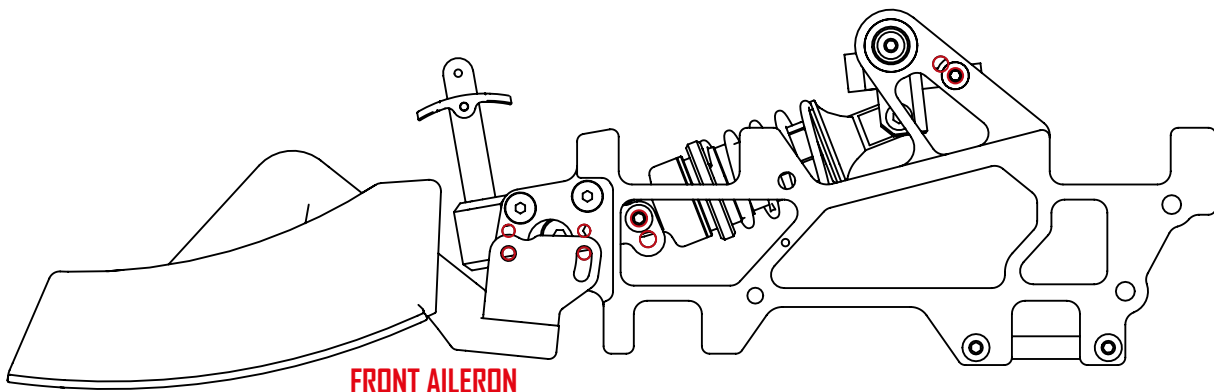
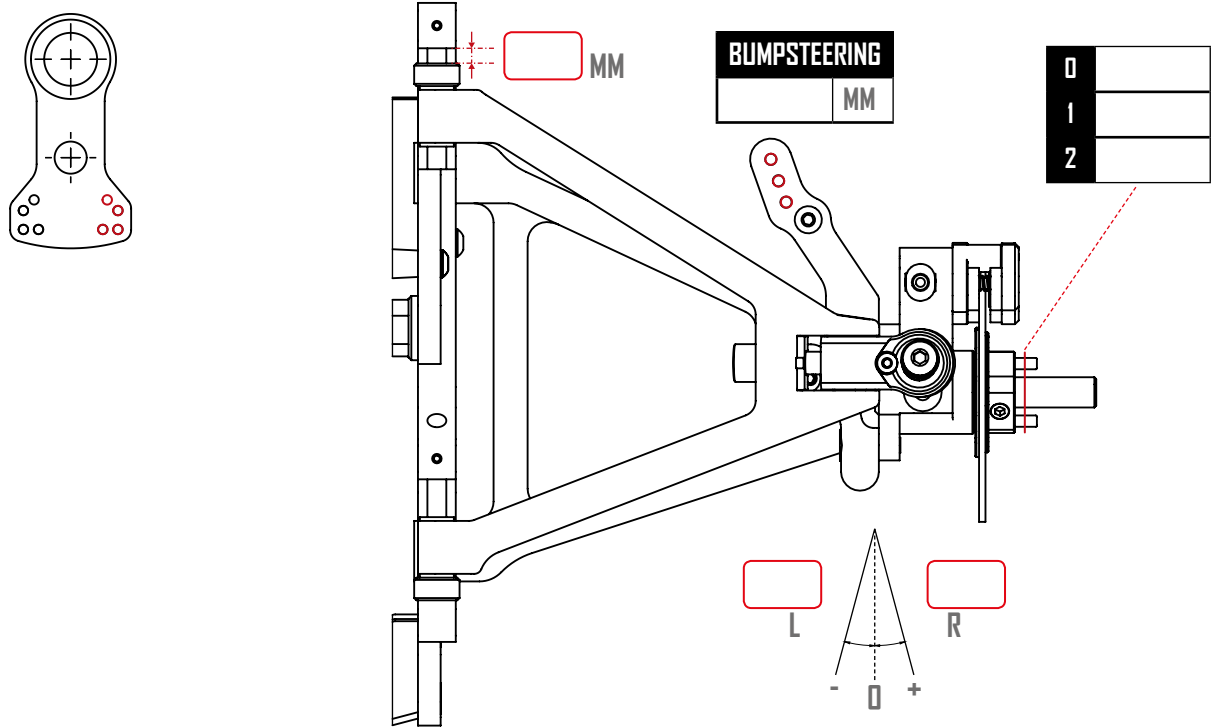
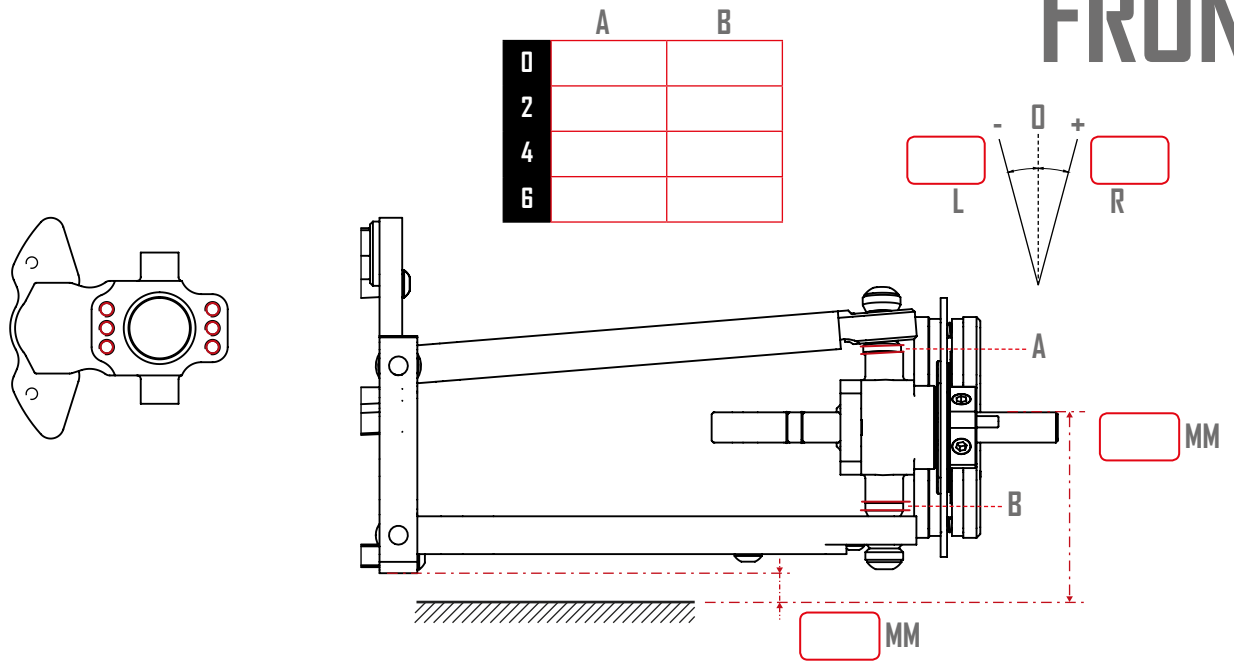
# FR24



DRIVER				
TRACK				
DATE				
TRACK TEMP				
CONDITION	TECHNICAL	MIXED	FAST	
TRACTION	LOW	MEDIUM	HIGH	
<b>SHOCKS</b>				
	OIL	SPRING	HOLE	
FRONT				
REAR				
ANGLE STEERING				
<b>TIRES</b>				
	DX	SX	ADDITIVE	
FRONT				
REAR				
BODY				
ENGINE				
AIR FILTER				
EXHAUST				
CLUTCH				
<b>TRANSMISSION</b>				
<b>ENGINE</b>				
	31	32	33	34
<b>MIDLE AXLE</b>				
	24		25	
TOTAL RATIO				
DIFFERENTIAL UNIT				
MODEL				
	OIL	GREASE		
SET-UP				
<b>NOTE</b>				



## FRONT



**FRONT AILERON**