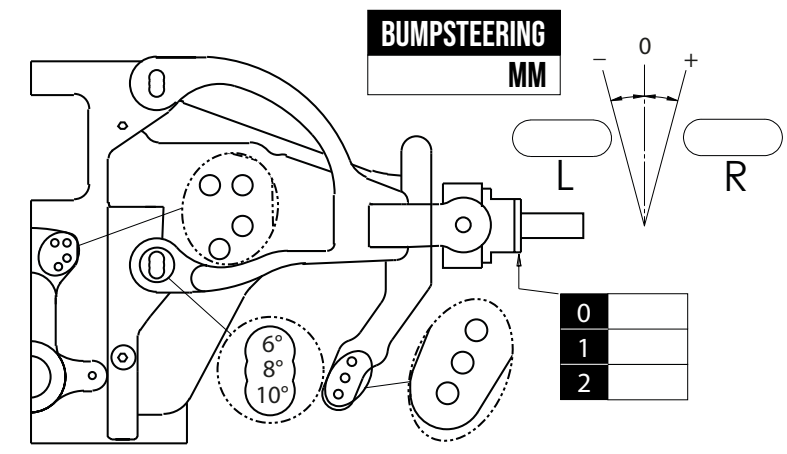
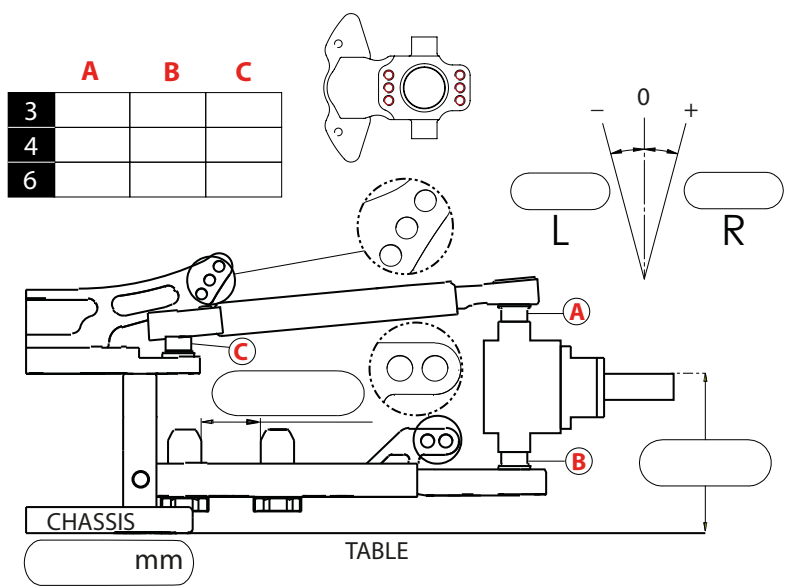
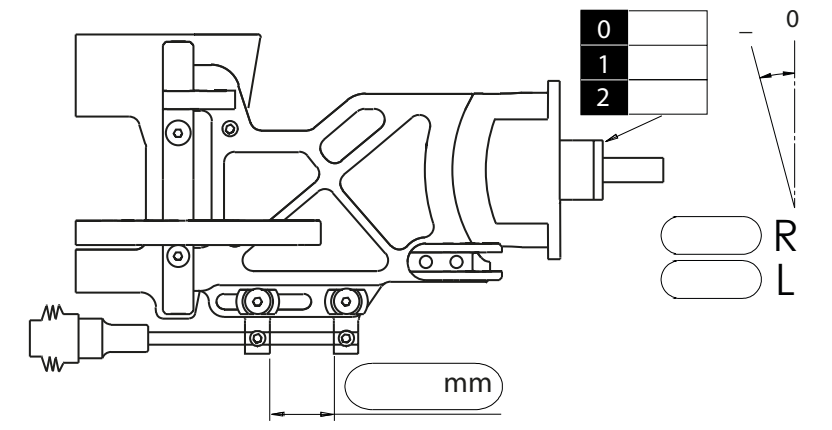
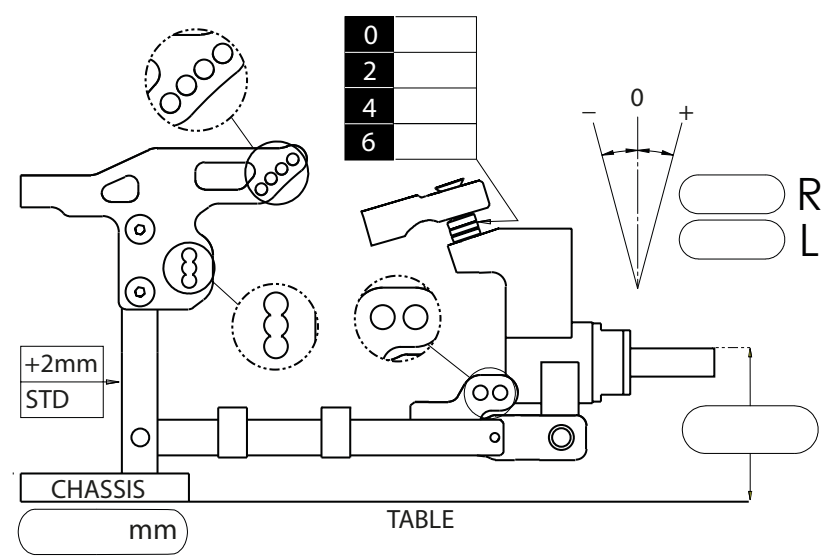


DRIVER			
DATE			
TRACK			
TRACK TEMP			
CONDITION	TECHNICAL	MIXED	FAST
TRACTION	LOW	MEDIUM	HIGH
SHOCKS			
	OIL	SPRING	HOLE
FRONT			
REAR			
TIRES			
	BRAND	FRONT	REAR
RIGHT			
LEFT			
ADITIVE			
BODY			
ENGINE			
AIR FILTER			
EXHAUST			
CLUTCH			
TRANSMISSION GEAR			
ENGINE			
33	34	35	36
MIDLE AXLE			
24		25	
ROLL BARR			
FRONT			
REAR			

FRONT



REAR



DIFFERENTIAL UNIT		ADDITIONAL WEIGHT		ANGLE STEERING	NOTES
MODEL		FRONT	SIDE		
OIL		50 GRAMS			
CONFIGURATION		100 GRAMS			