

**DRIVER** \_\_\_\_\_

**DATE** \_\_\_\_\_

**TRACK** \_\_\_\_\_

**TRACK TEMP** \_\_\_\_\_

**CONDITION** TECHNICAL MID FAST

**TRACTION** LOW MEDIUM HIGH

**SHOCKS**

	OIL	SPRING	HOLE
<b>FRONT</b>	3000	Silver	STD
<b>REAR</b>	3000	White	1,6

**TIRES**

	BRAND	FRONT	REAR
<b>RIGHT</b>	PMT	SL SS	SL UL
<b>LEFT</b>	PMT	SL SS	SL UL

**ADITIVE** NO

**BODY** \_\_\_\_\_

**ENGINE** \_\_\_\_\_

**AIR FILTER** GENIUS

**EXHAUST** BEST-PIPE

**CLUTCH** GENIUS 3 PTS reverse

**TRANSMISSION GEAR**

ENGINE			
33	34	35	36

**MIDDLE AXLE**

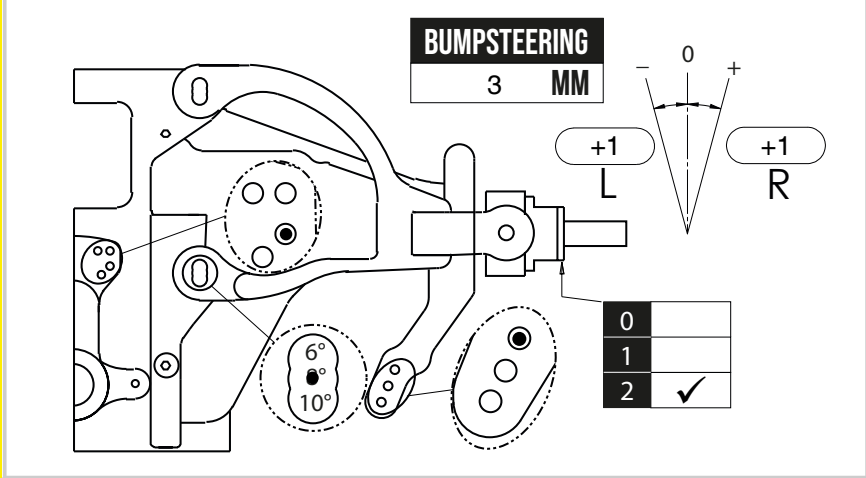
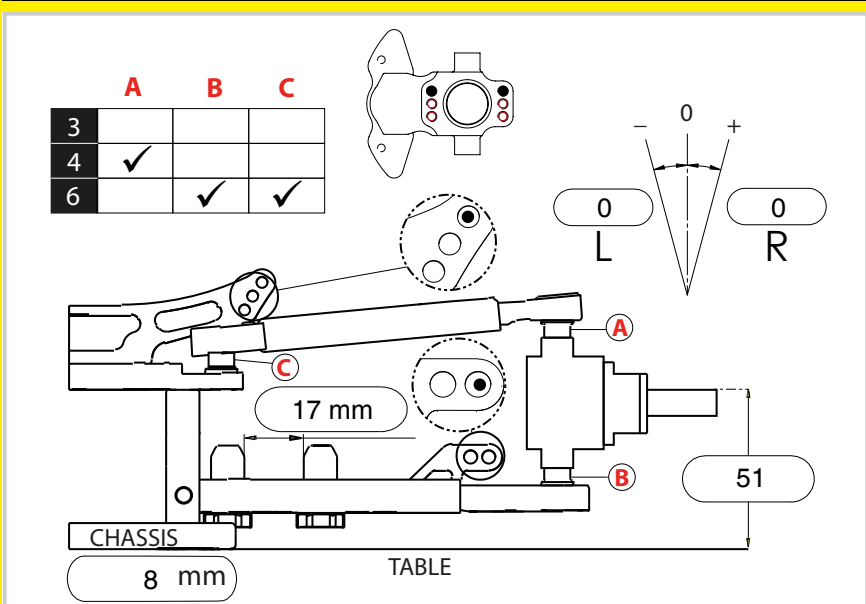
24 25

**ROLL BARR**

**FRONT** 6 MM

**REAR** 4,5 MM

**FRONT**



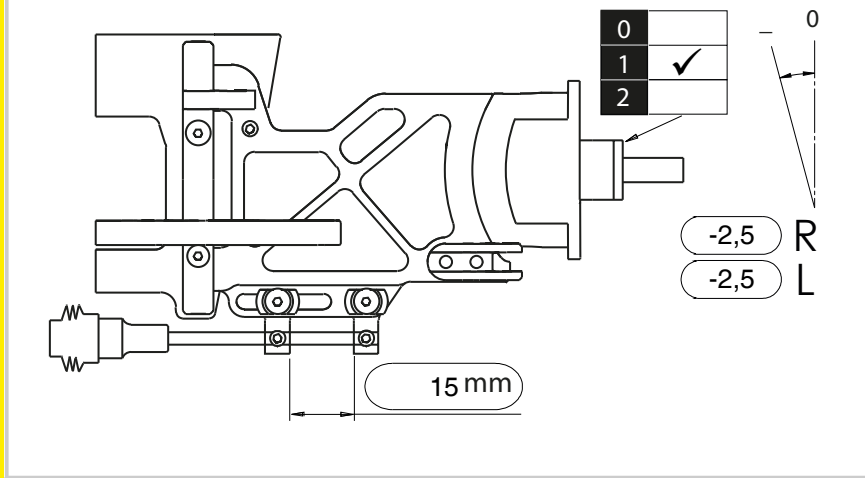
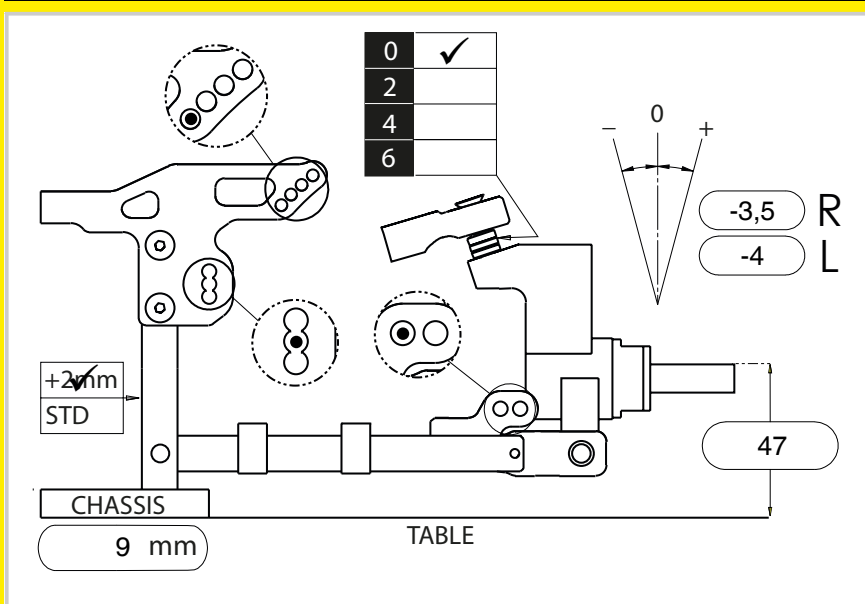
**DIFFERENTIAL UNIT**

**MODEL** \_\_\_\_\_

**OIL** 50 GRAMS FRONT SIDE

**CONFIGURATION** 100 GRAMS FRONT SIDE

**REAR**



**ANGLE STEERING** 15

**NOTES**

\_\_\_\_\_