



XR5.26

INSTRUCTION MANUAL 2026



CHASSIS ASSEMBLY WITH REINFORCEMENT	1-6
LOWER SUSPENSION ARM REAR	7-8
REAR ASSEMBLING	9-13
REAR UPRIGHT	14
ASSEMBLING REAR UP ARMS	15
CARDAN AXEL ASSEMBLY	16
REAR ASSEMBLING	17
FRONT ANTI-ROLL BAR	18
REAR ANTI-ROLL BAR	19
ASSEMBLING REAR ANTI-ROLL BAR	20
REAR SHOCK ASSEMBLING	21-22
FRONT BULKHEAD	23
LOWER SUSPENSION ARM FRONT	24
FRONT ASSEMBLING	25
ASSEMBLING FRONT UP ARMS	26
FRONT UPRIGHT	27
FRONT ASSEMBLING	28

SHOCK ASSEMBLING	29-30
SPINGS TABLE AND KITS	31
STEERING ARMS	32
FRONT BODY MOUNT AND SHOCKS	33
SERVO SAVER ASSEMBLING	35-36
RADIO PLATE MOUNT	37
RADIO PLATE AND FRONT MOUNT	38
FRONT BAUMPER ASSEMBLING	39
FUEL TANK ASSEMBLING	40
XR5.26 D 500mm	41
DIABLO R ASSEMBLING AND OPTIONALS	42-43
XR5.26 S ASSEMBLING	44
CLUTCH ASSEMBLING AND TOOLS	45-46-47

MOUNTING COMPONENTS KITS

XR5.26 D

ALL
VERSIONS

3



4



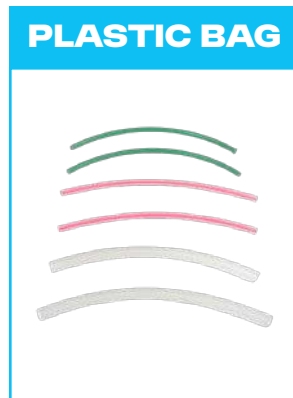
MOUNTING COMPONENTS KITS

XR5.26 S

3



4



5



MOUNTING COMPONENTS KITS

XR5.26 E

1



2



MOUNTING COMPONENTS KITS

XR5.26 E





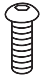

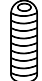






3



ONLINE SHOPPING CODES TABLE



KIT 1

X		4,2 x 20 for plastic	GT8500345		BRAKE LINKAGE LEVER
X		4,2 x 13 for plastic	GE00211.10		COLUMN SUPP. BODY FRONT/REAR ROCKER
GE01271.12		TB 4X16	GE00171.00		CARBON SIDE BULKHEAD
GE01285.46		GR 4X16	GE00813.00		RECEIVER ANTENNA
GE01280.24		PIN 2X20			
GE00861.00		BAUMPER FRONT SPONGE			
GE00182.00		FRONT ROLL BAR SUPPORT 5.5 MM			
GE00204.00		COLUMN SUPPORT LATERAL			
GE00861.10		FRONT BAUMPER FOAM RETAINING PEGS			

ONLINE SHOPPING CODES TABLE



KIT 2

GE01280.00		TC 3X16
GE01280.00		NUT M3
GE00730.00		NUT M8 with serrated flange
X		SHIM 3X6X5
GE01275.03		TB 3X9,5
GE00583.00		BALL FOR UNIBALL 6mm
GE00810.00		RECEIVER BOX
GT851200		ADJ TURNBUCKLE STEEL M4 L/R 50 mm EXA 4
GE00753.00		PLASTIC UNIBALL M4
		CAMBER ADJ PLATES SET -

GE01257.05		PLASTIC T SERO LINKAGE
GE00815.00		RECEIVER ANTENNA
X		COLLARS

CHASSIS ASSEMBLY WITH REINFORCEMENT

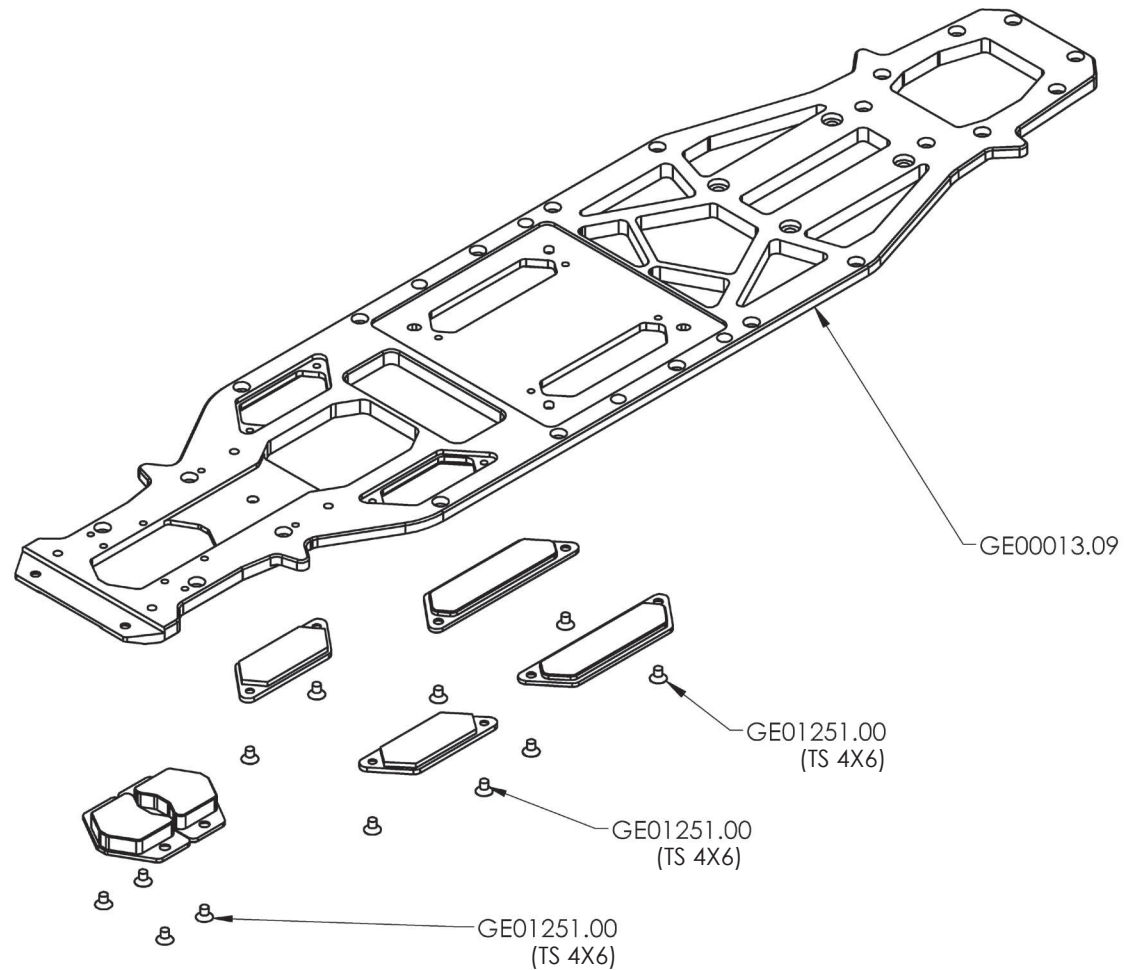
XR5.26

OPTIONALS

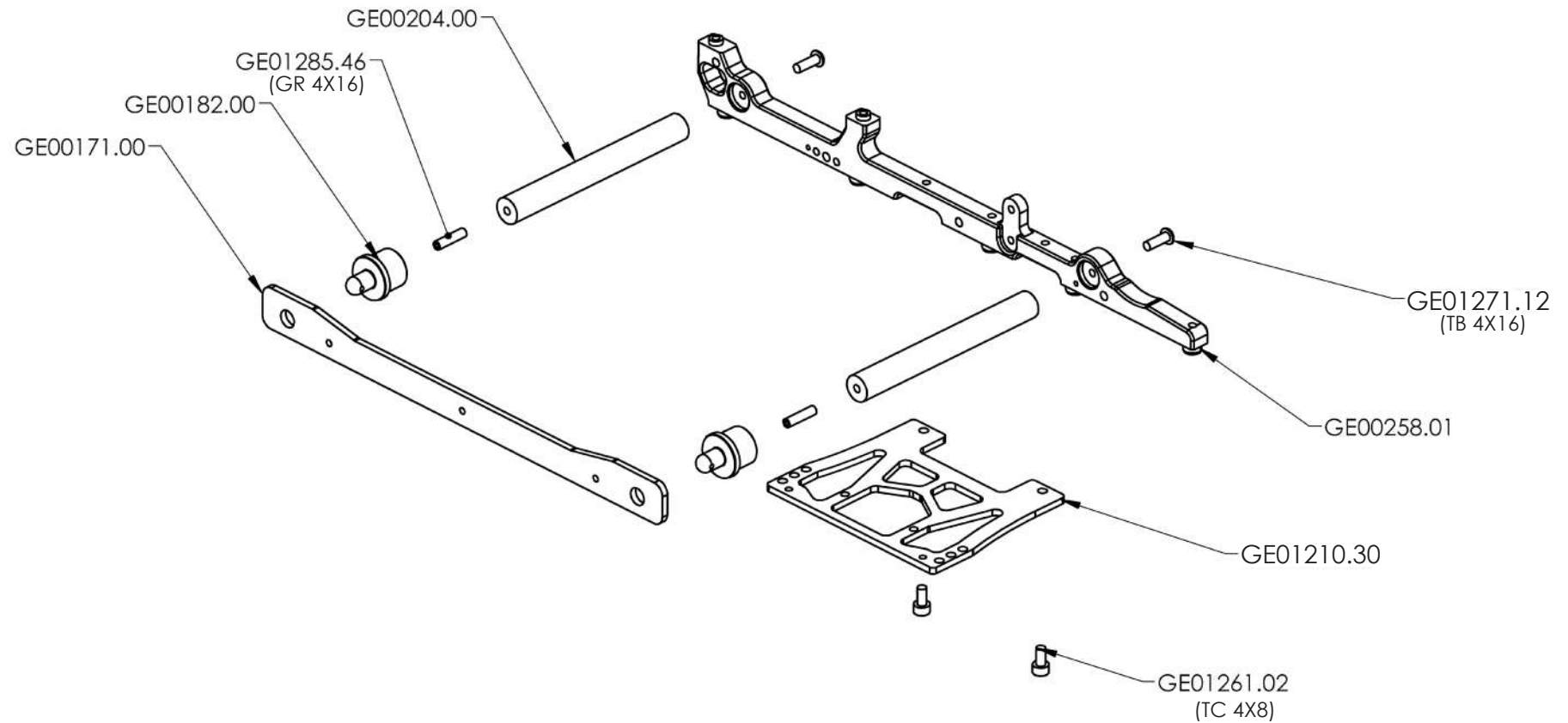
50g	100g
	
DESCRIPTION	CODE
WEIGHT	GE00014.00

50g	50g
	
DESCRIPTION	CODE
WEIGHT	GE00014.10

75g	75g
	
optional parts	
DESCRIPTION	CODE
WEIGHT	GE00014.20



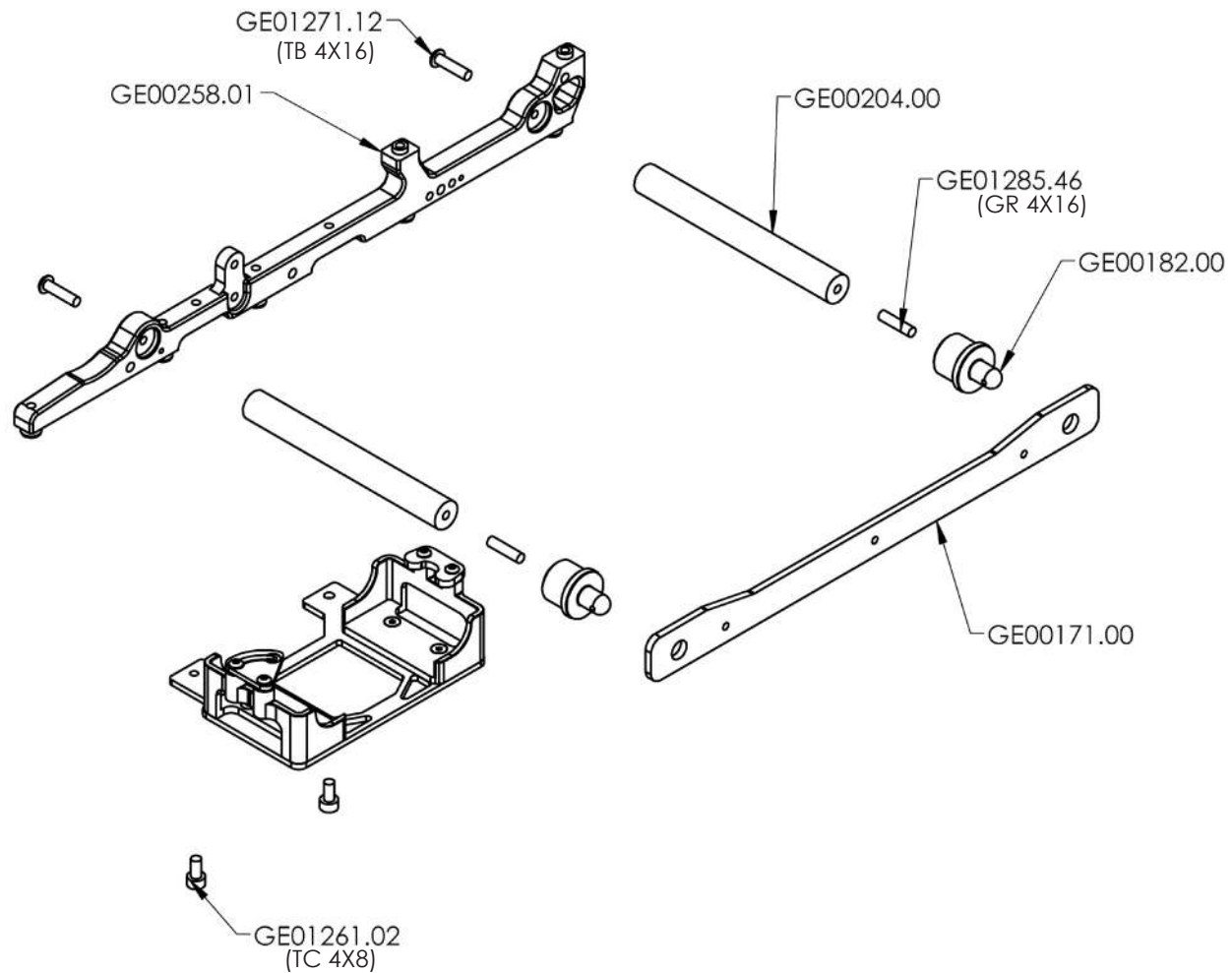
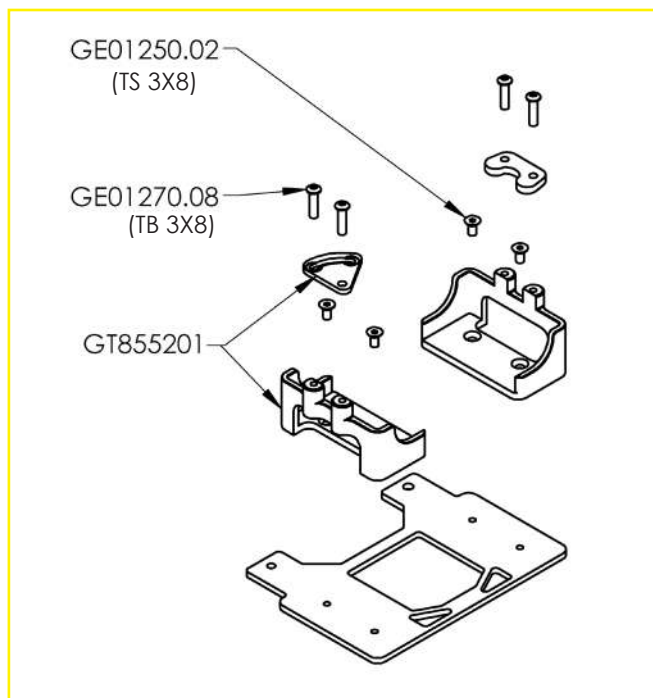
CHASSIS ASSEMBLY WITH REINFORCEMENT



CHASSIS ASSEMBLY WITH REINFORCEMENT

COMPLETE SET

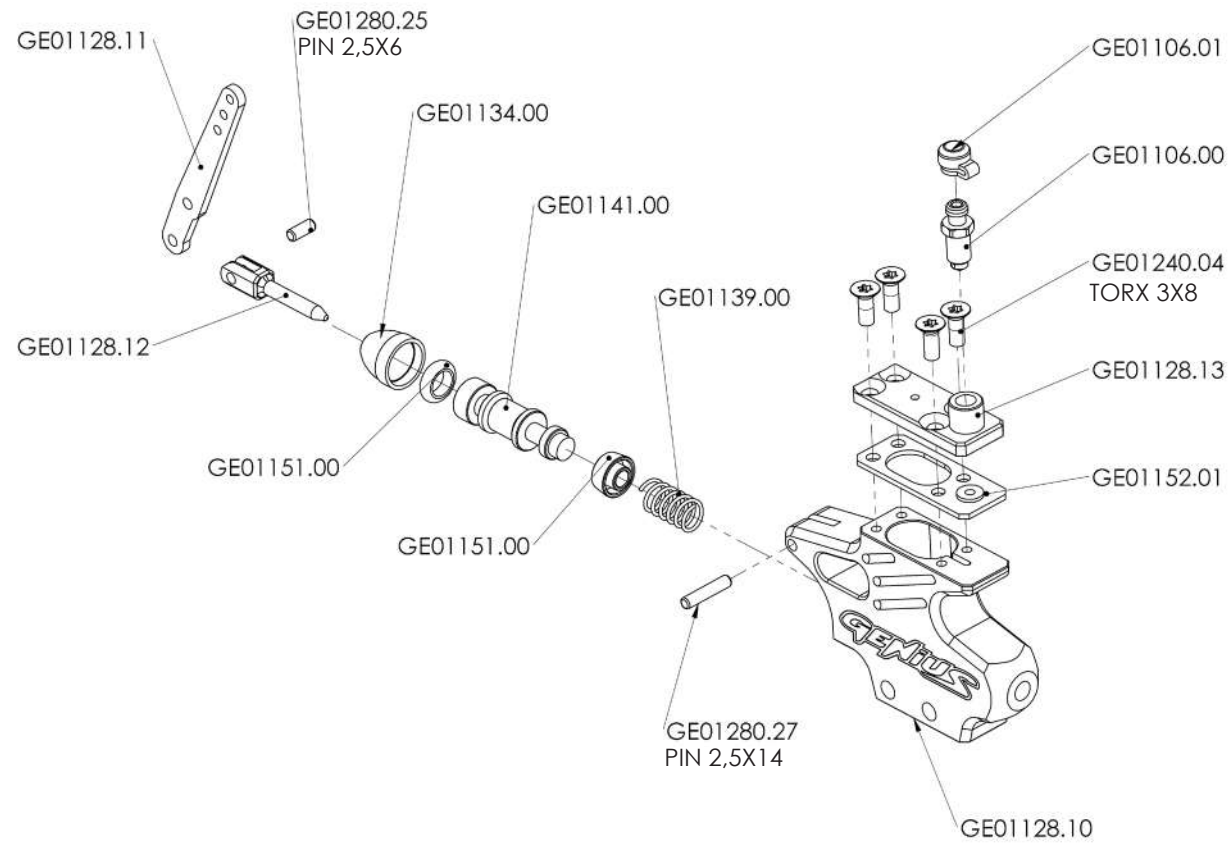
GE01203.12 Hard case short set



CHASSIS ASSEMBLY WITH REINFORCEMENT

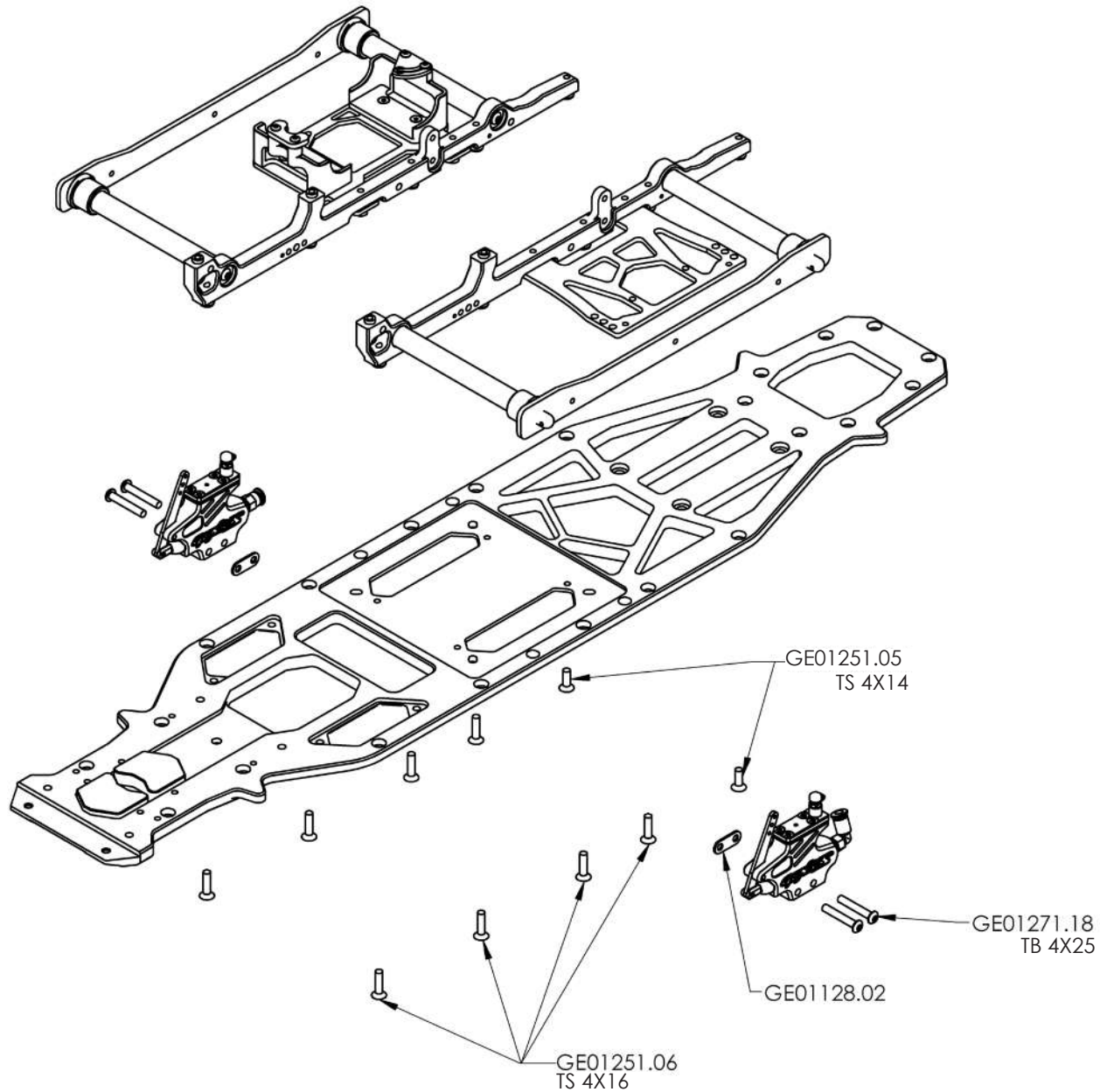
MASTER CILINDER ASSEMBLY

GE01128.01

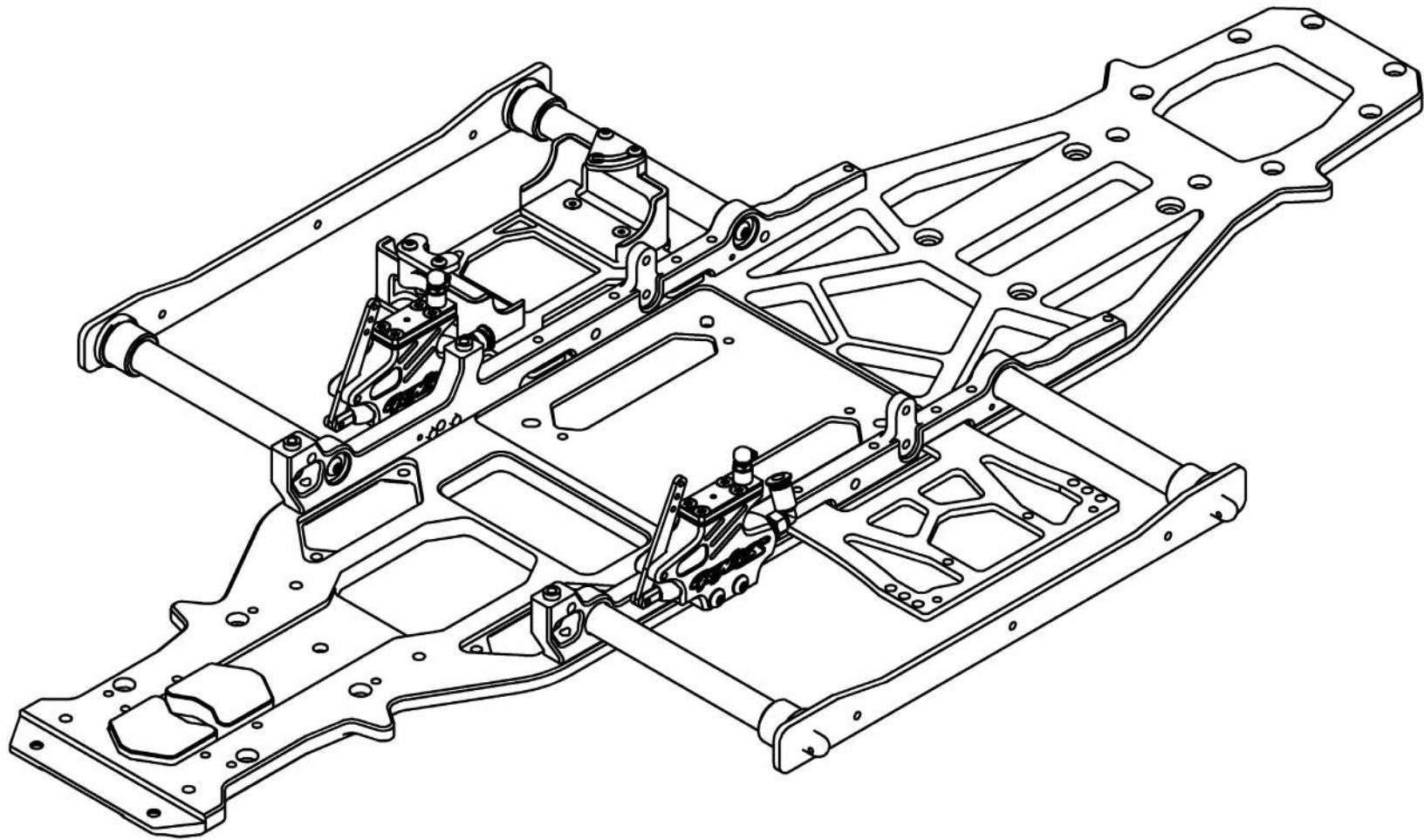


					
GE00871.01	GE00872.01	GE00872.02	GE00870.01	GE01112.00	GE00392.01

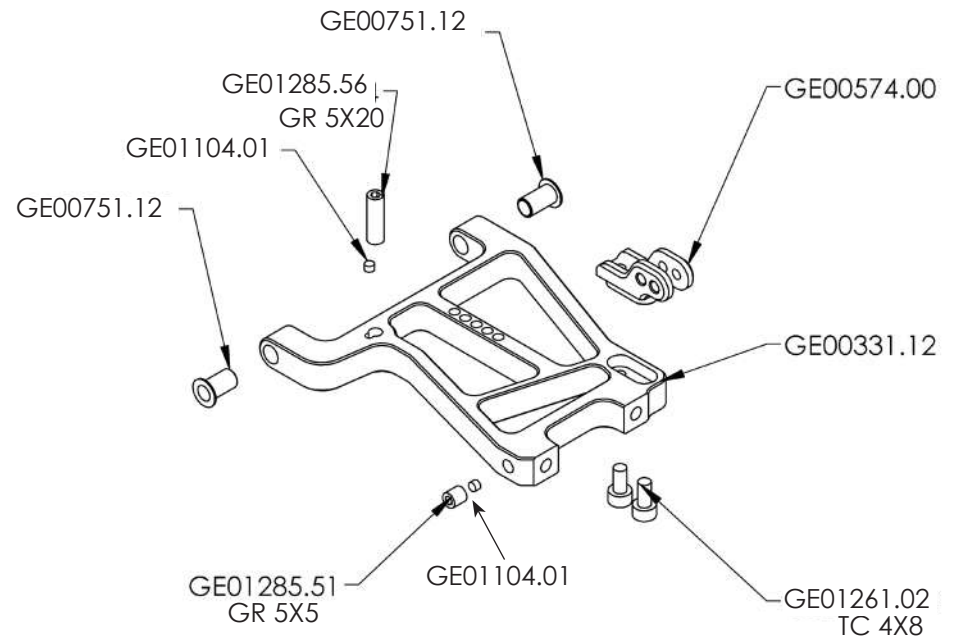
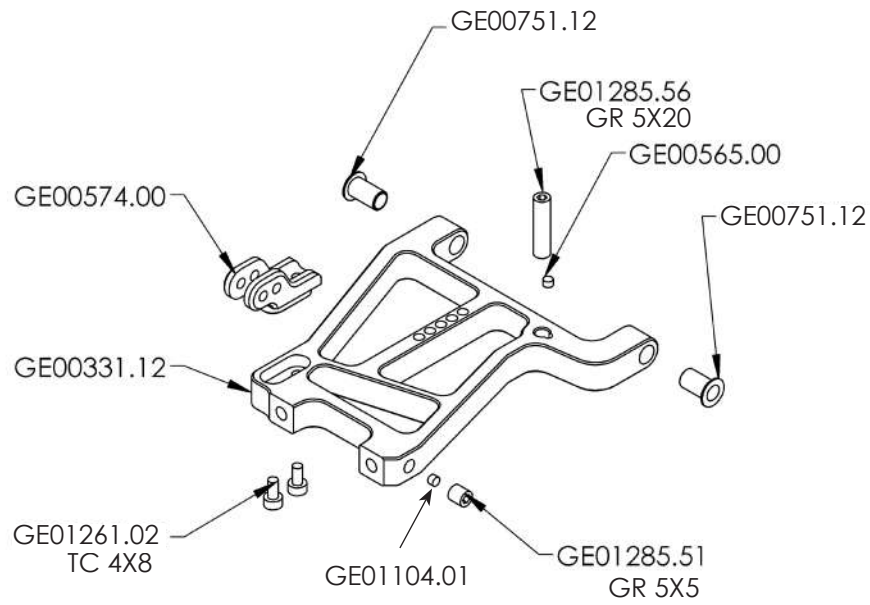
CHASSIS ASSEMBLY WITH REINFORCEMENT



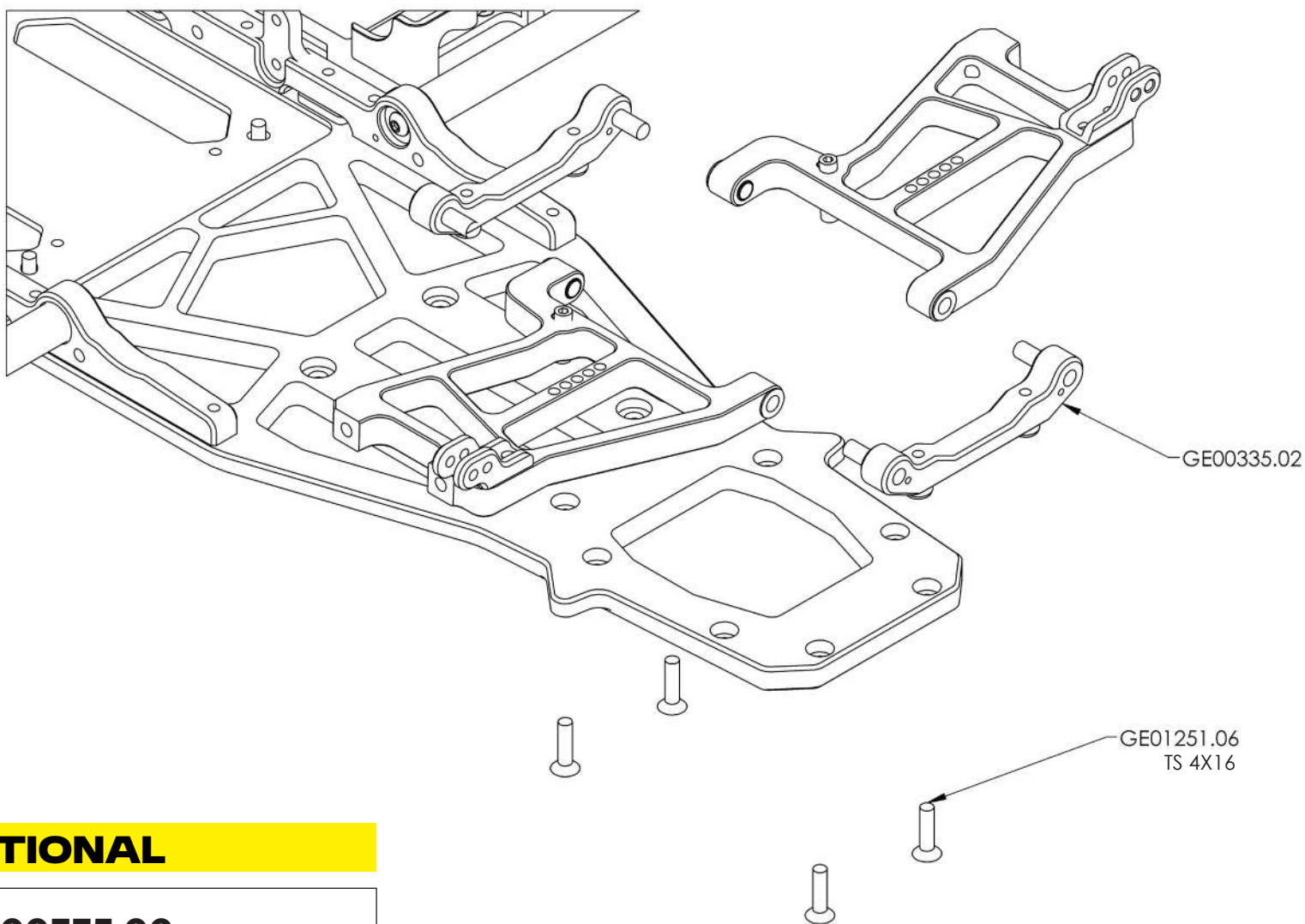
CHASSIS ASSEMBLY WITH REINFORCEMENT



LOWER SUSPENSION ARM REAR



LOWER SUSPENSION ARM REAR

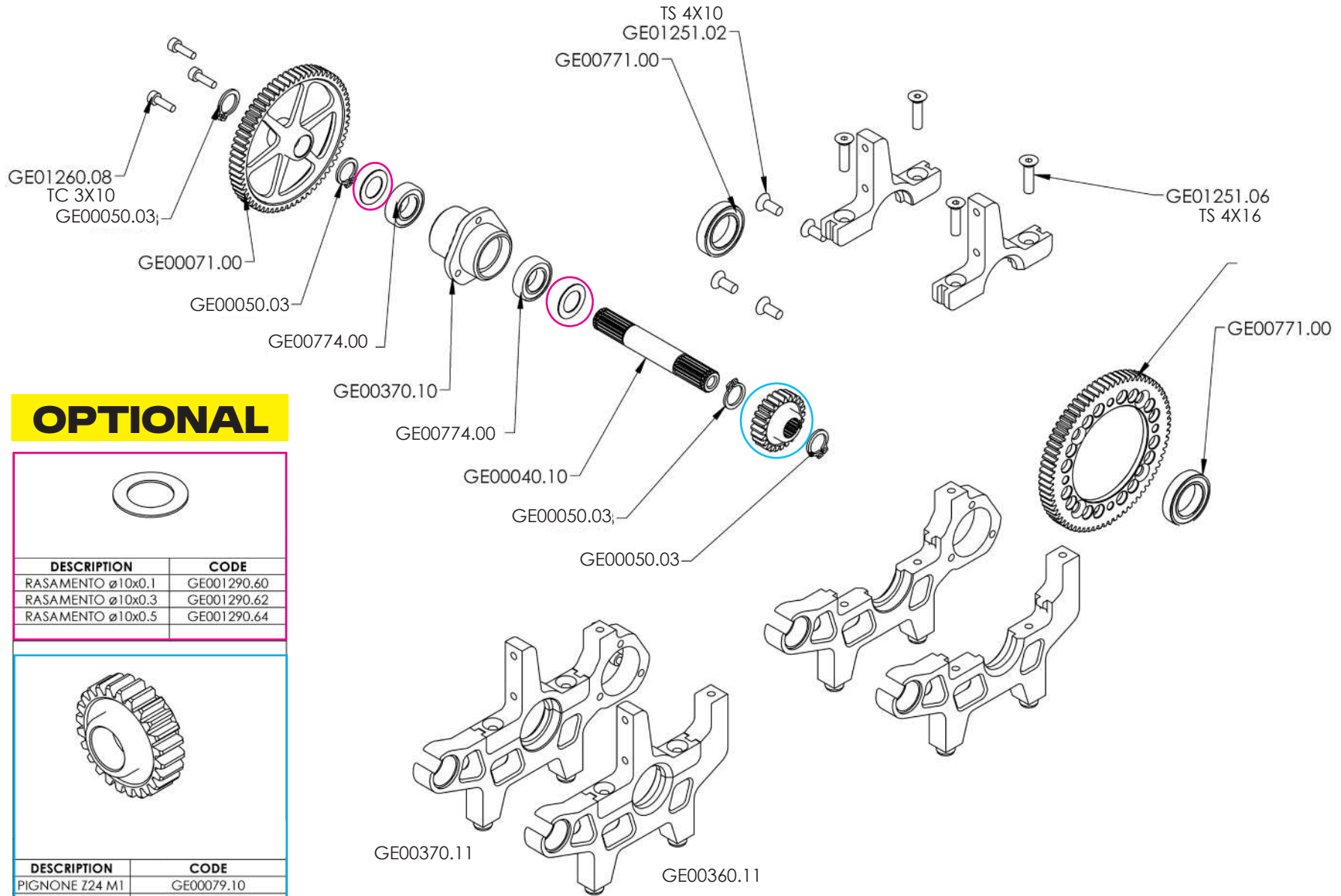


OPTIONAL



GE00335.00
ALU LOWER PLATE SET (2)

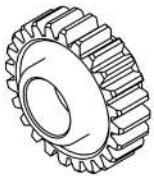
REAR ASSEMBLING



OPTIONAL

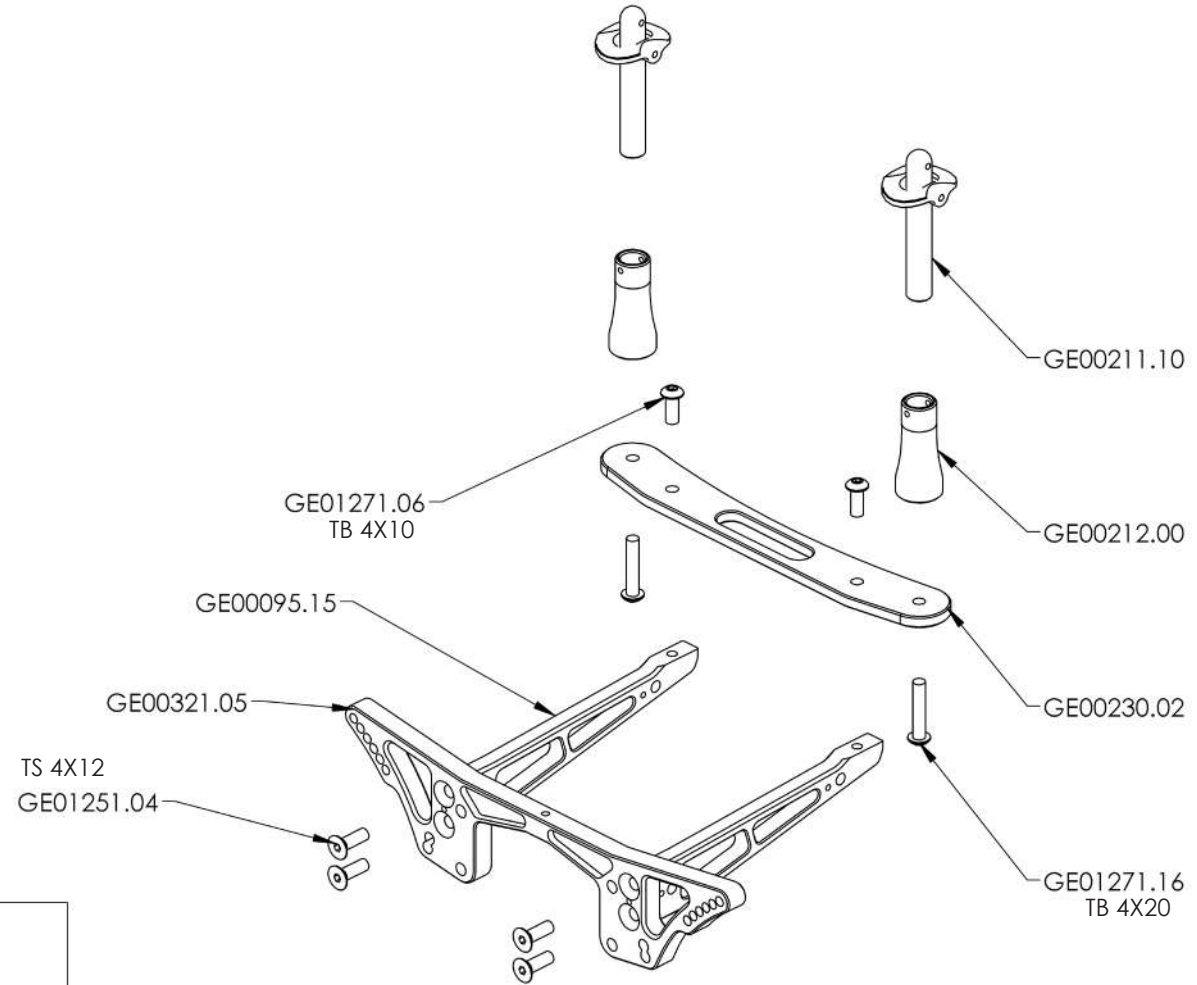


DESCRIPTION	CODE
RASAMENTO $\varnothing 10 \times 0.1$	GE001290.60
RASAMENTO $\varnothing 10 \times 0.3$	GE001290.62
RASAMENTO $\varnothing 10 \times 0.5$	GE001290.64



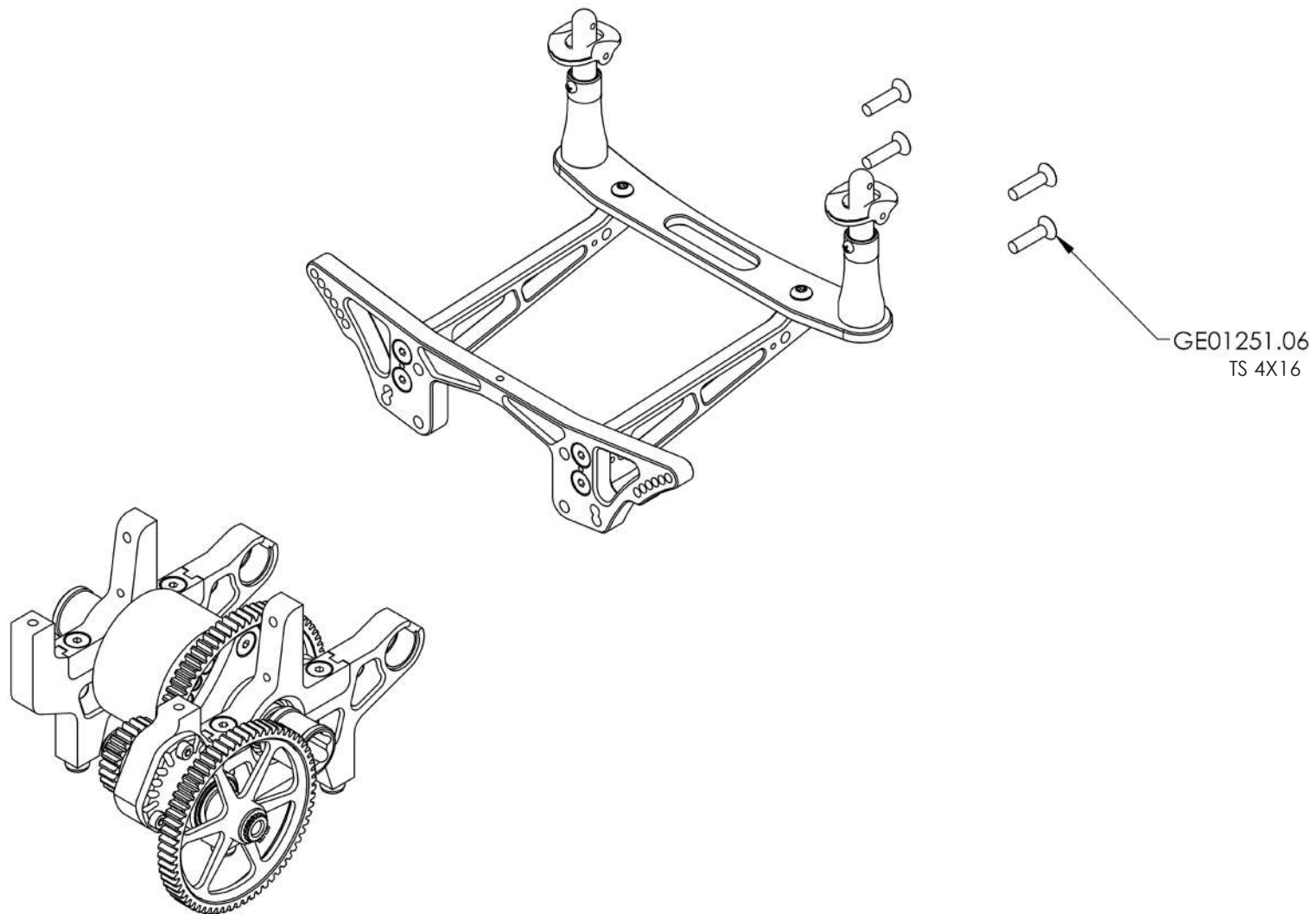
DESCRIPTION	CODE
PIGNONE Z24 M1	GE00079.10
PIGNONE Z25 M1	GE00080.10

REAR ASSEMBLING

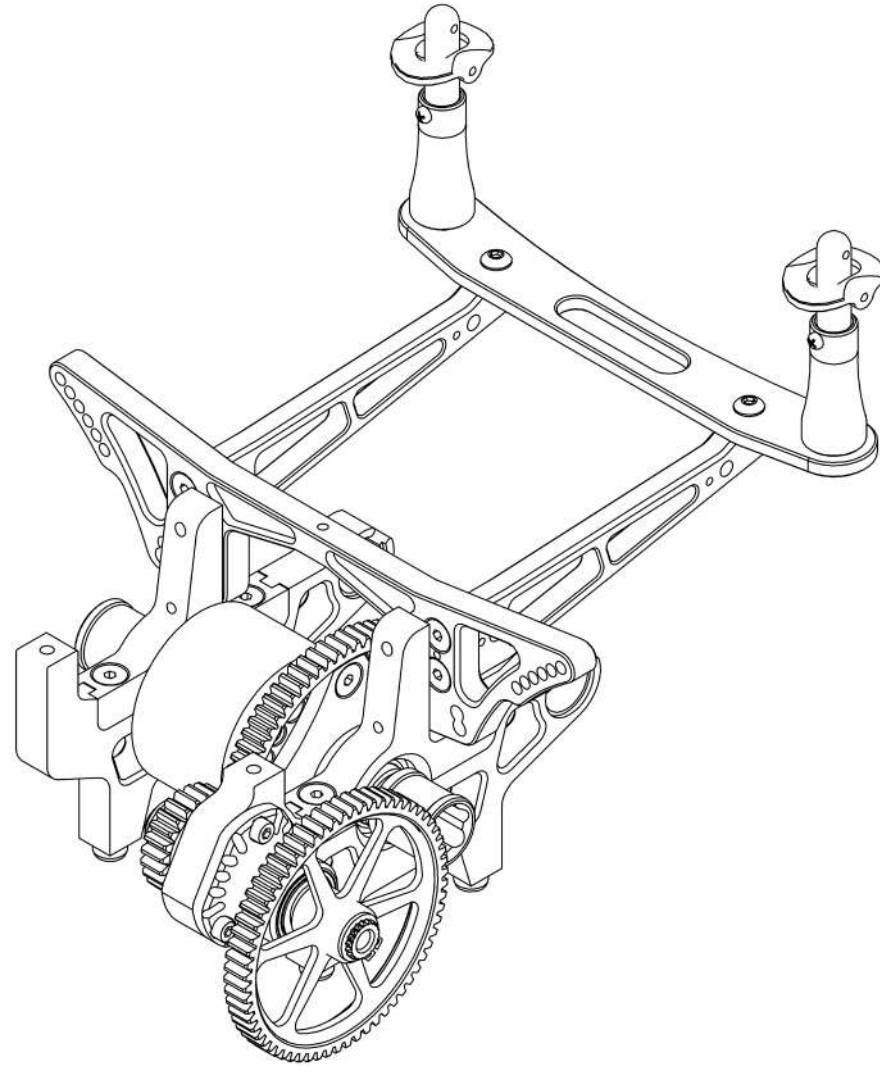


optional parts	
DESCRIPTION	CODE
SUPPORTO CARROZZERIA CARBONIO	GE00230.03

REAR ASSEMBLING

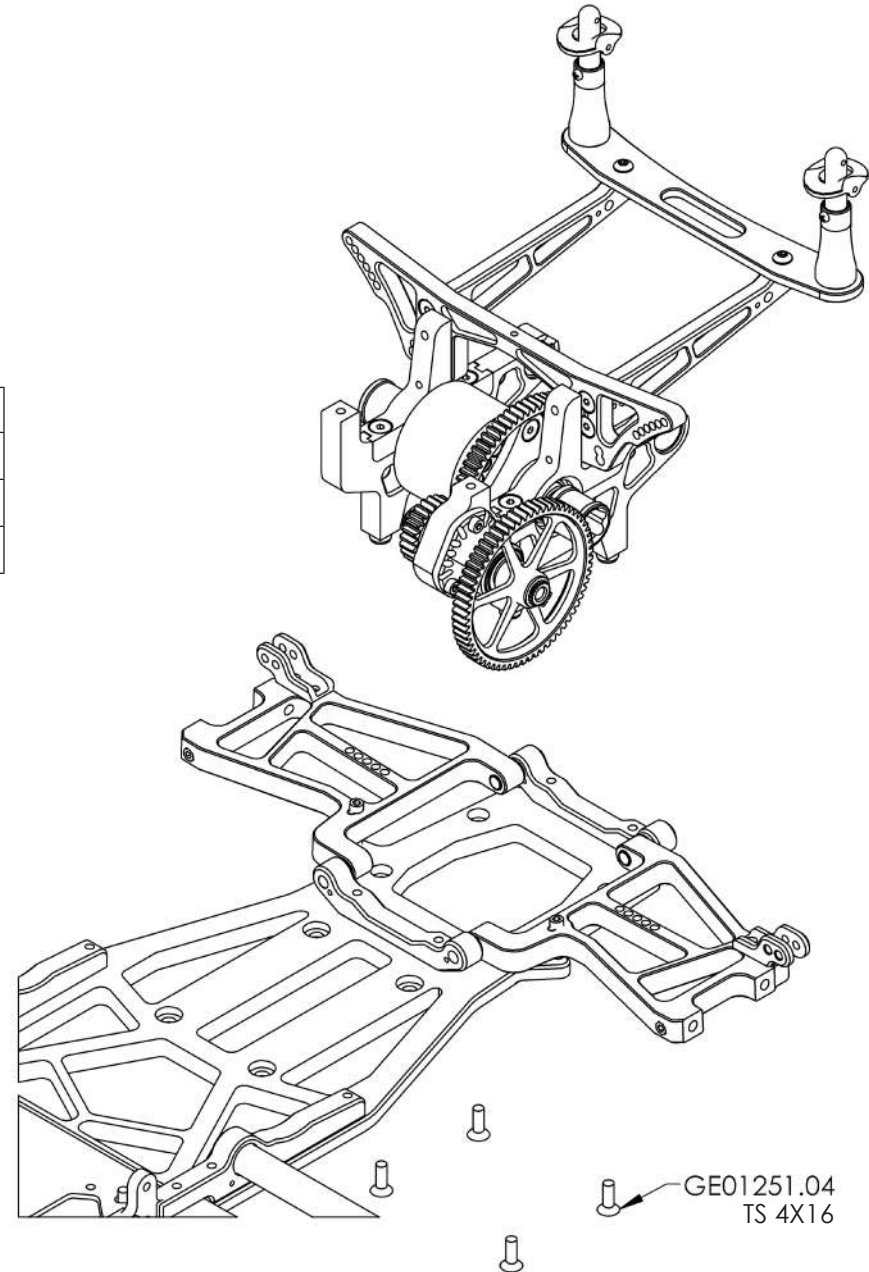


REAR ASSEMBLING

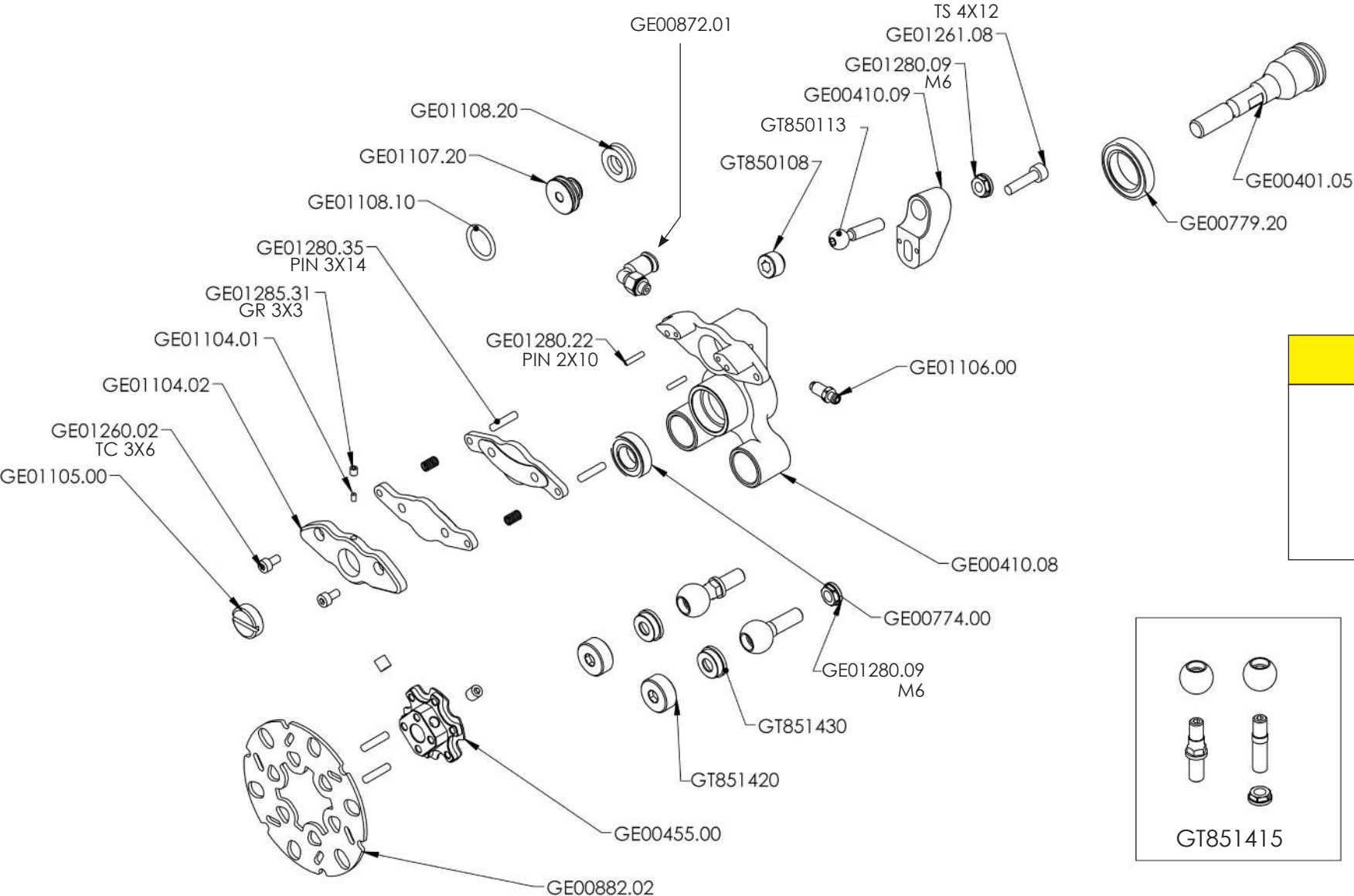


REAR ASSEMBLING

PIGNON 1	PIGNON 2	PIGNON 3	PIGNON 4	RATIO
33	63	24	72	5,727
34	63	24	72	5,559
35	63	24	72	5,400



REAR UPRIGHT

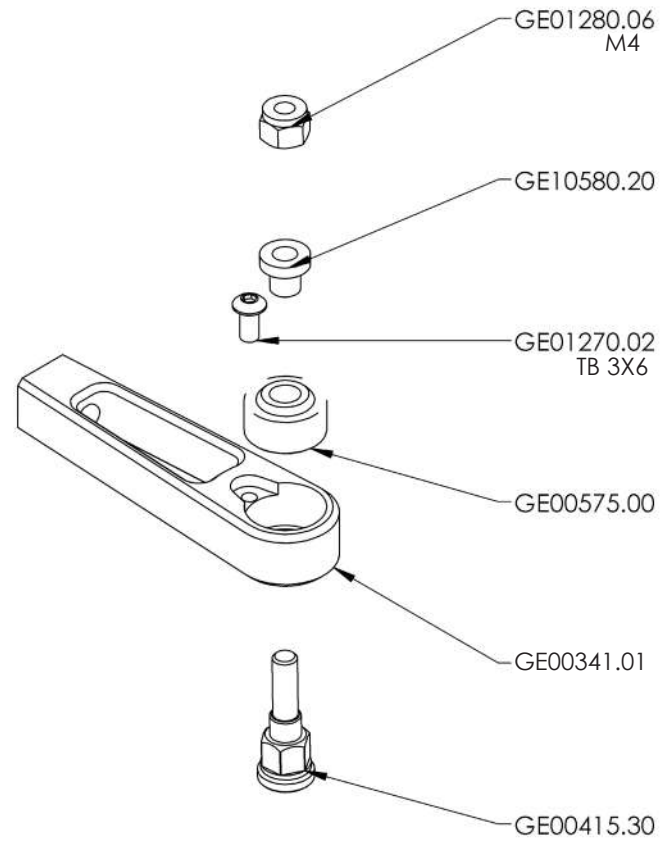


OPTIONAL

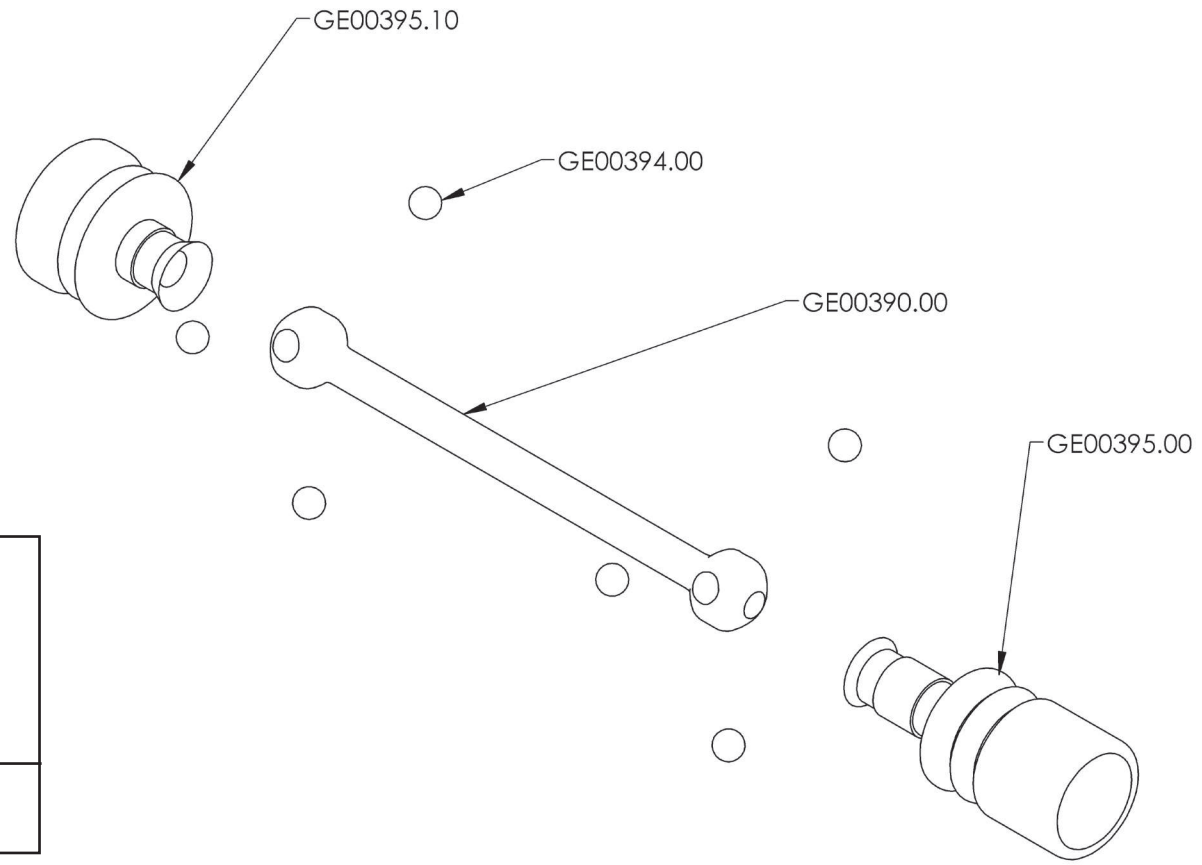
GE00730.10
AUTOLOCKING WHEEL NUT (4)

GT851415

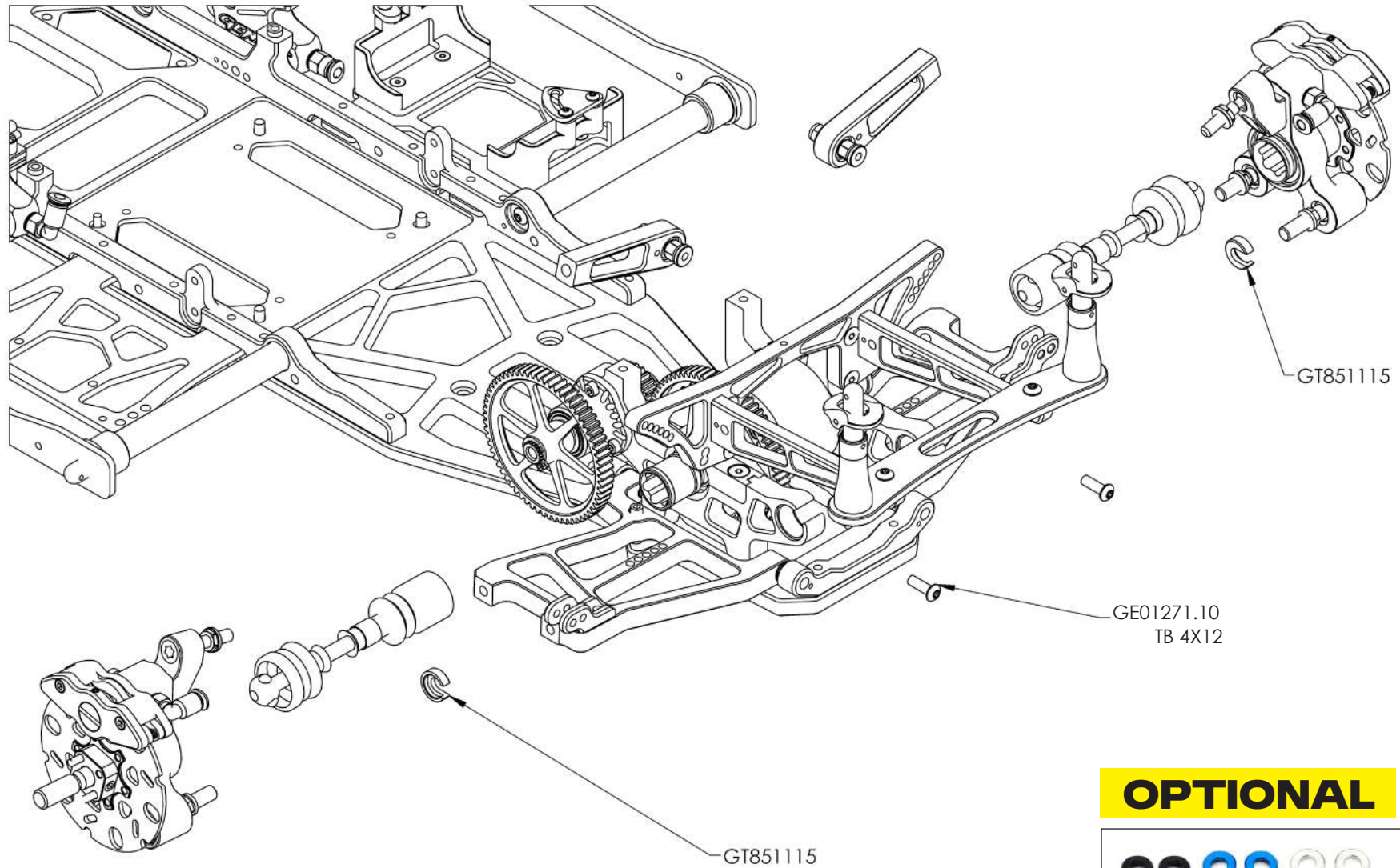
ASSEMBLING REAR UP ARMS



CARDAN AXEL ASSEMBLING



REAR ASSEMBLING

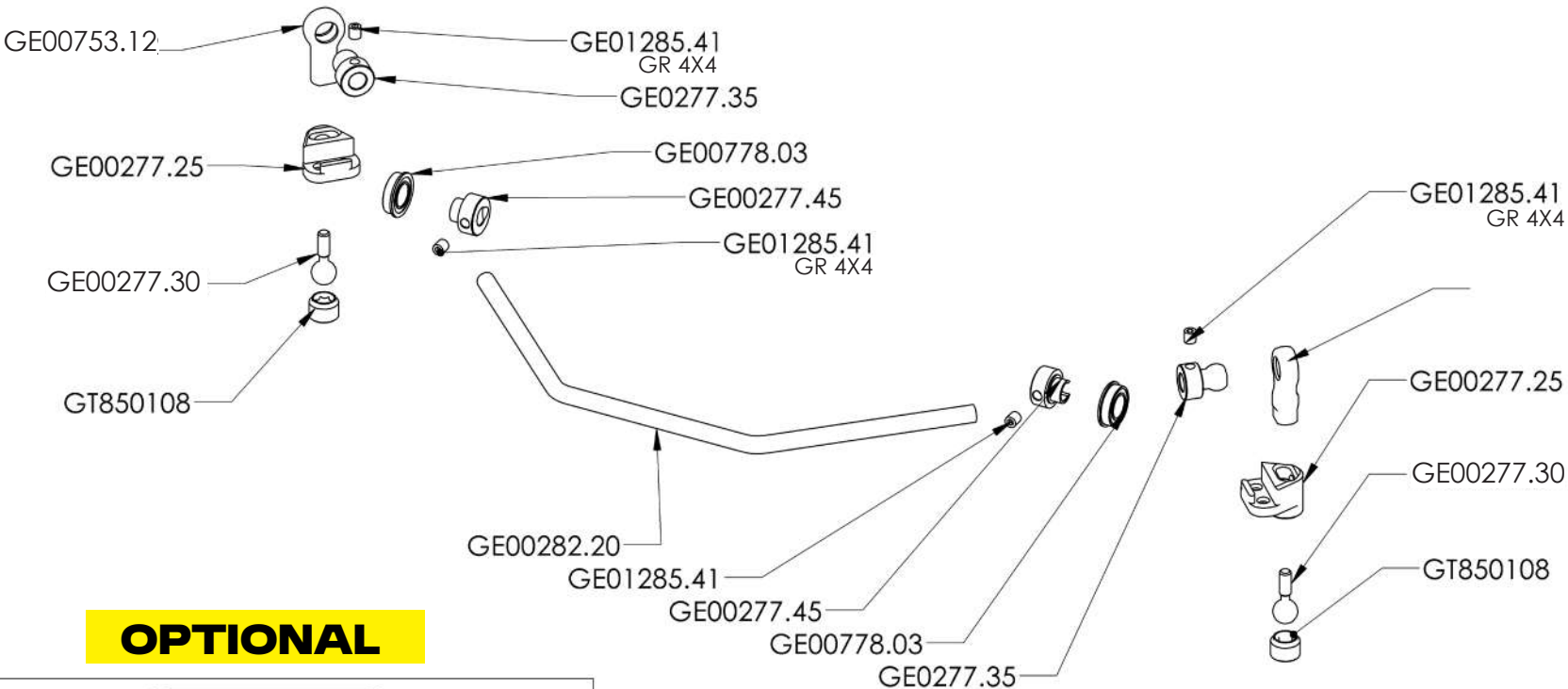


OPTIONAL

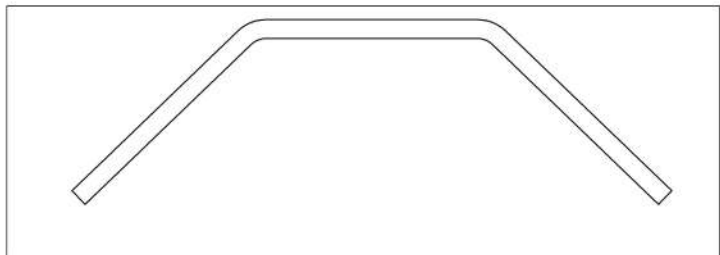


GT851115
SUSPENSION ARM ENDCAP
SPACER 1-2-3 (2+2+2)

FRONT ANTI-ROLL BAR

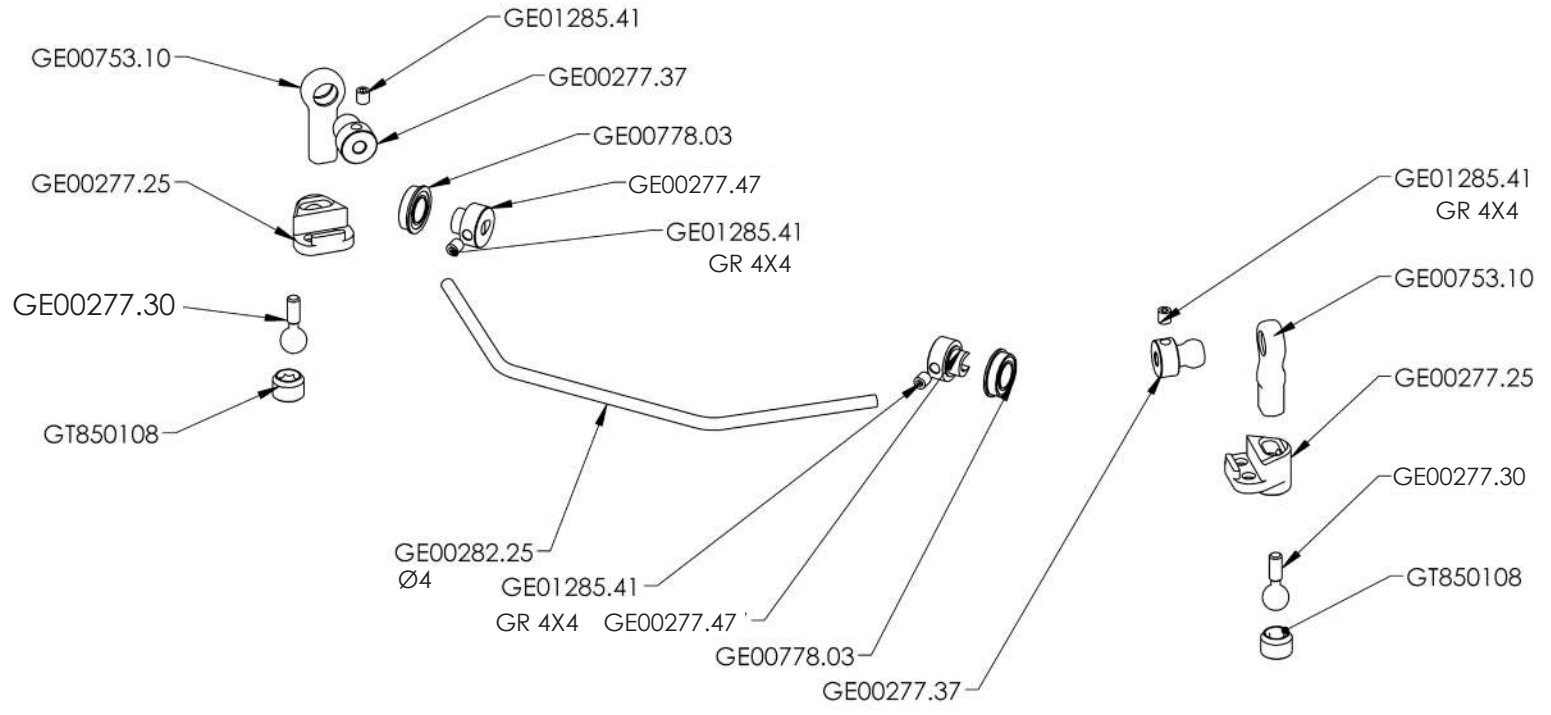


OPTIONAL



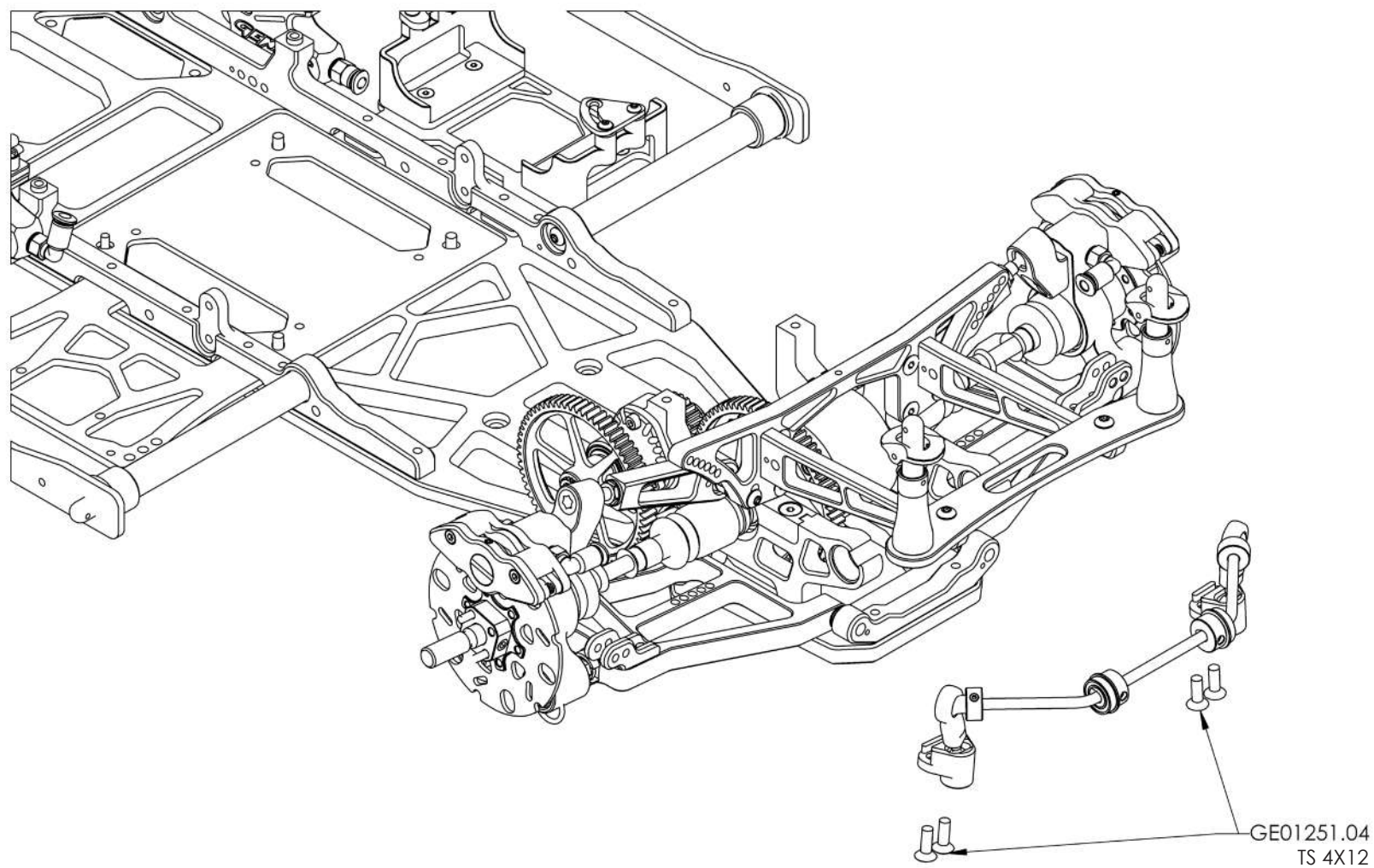
optional parts	
DESCRIPTION	CODE
Ø6.4mm	GE00282.30

REAR ANTI-ROLL BAR

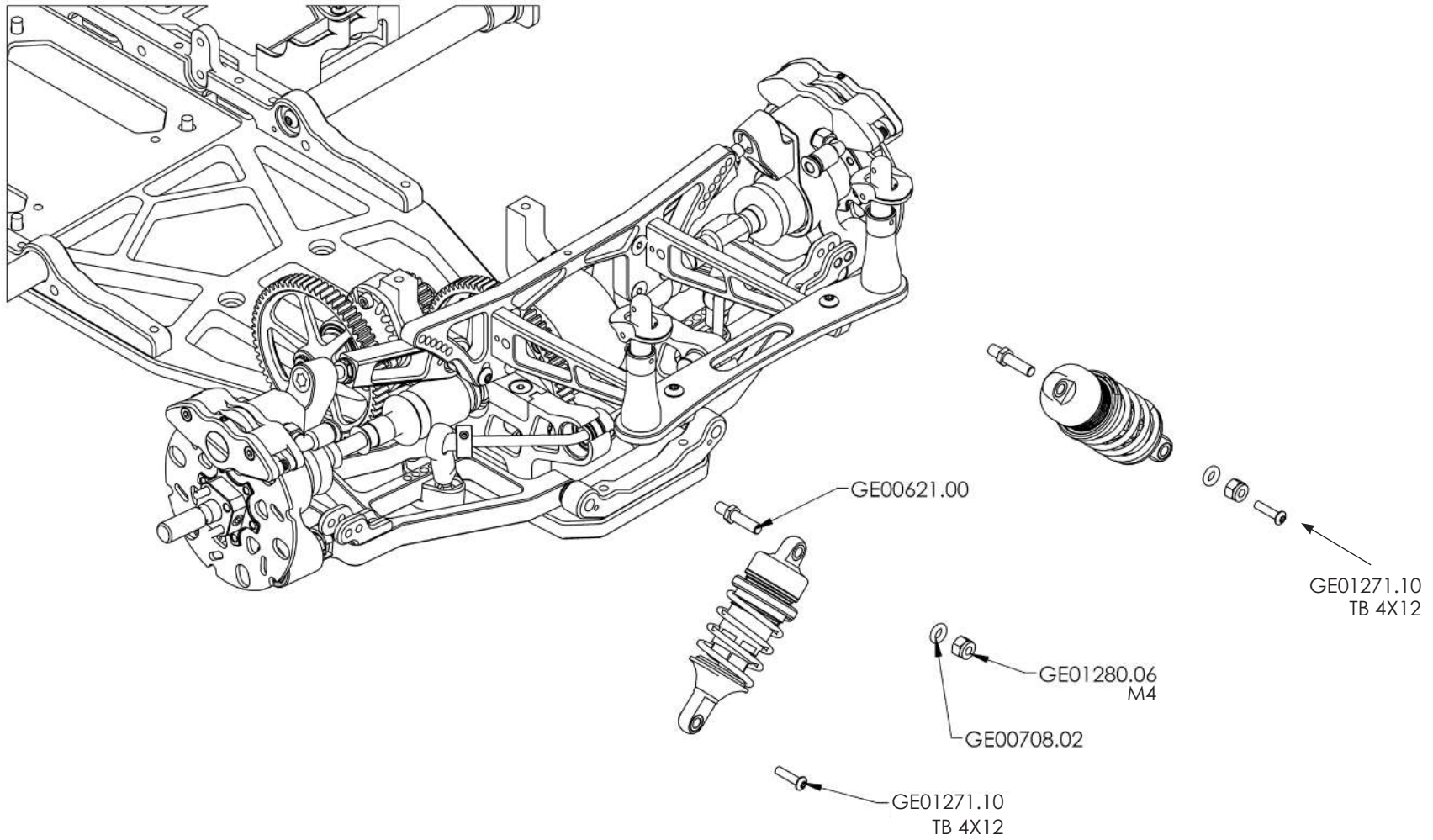


optional parts	
DESCRIPTION	CODE
Ø3.5mm	GE00282.35

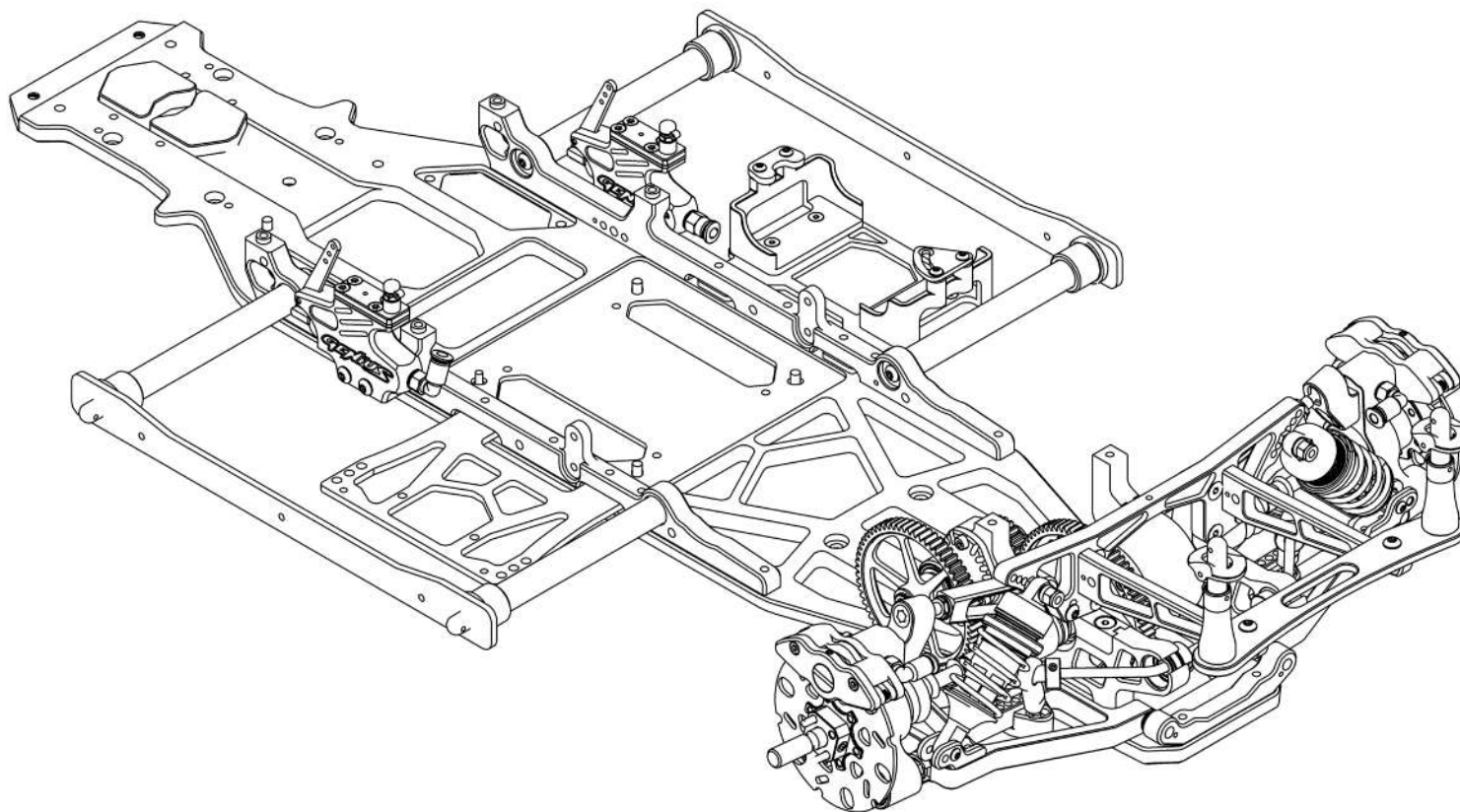
ASSEMBLING REAR ANTI-ROLL BAR



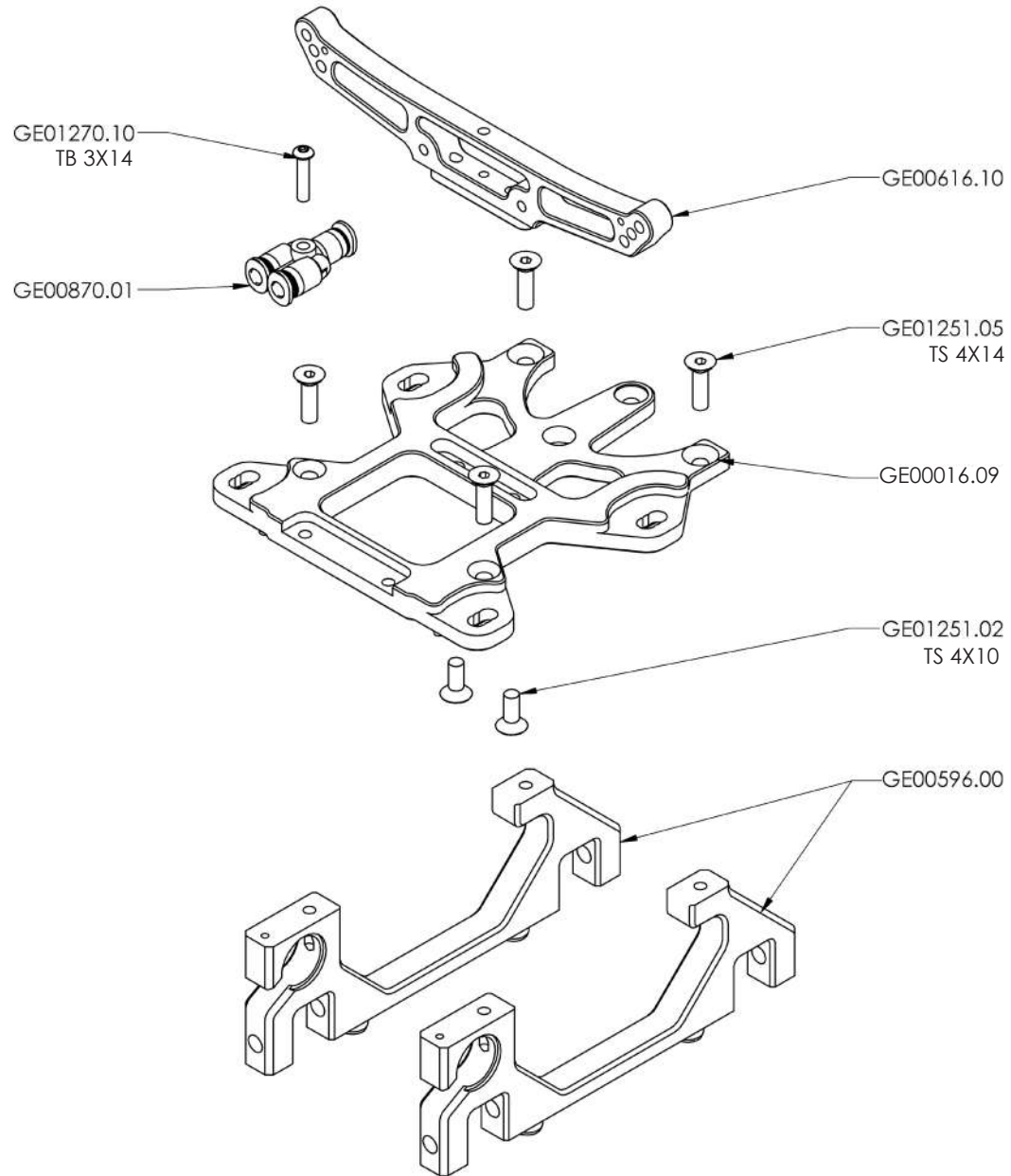
REAR SHOCKS ASSEMBLING



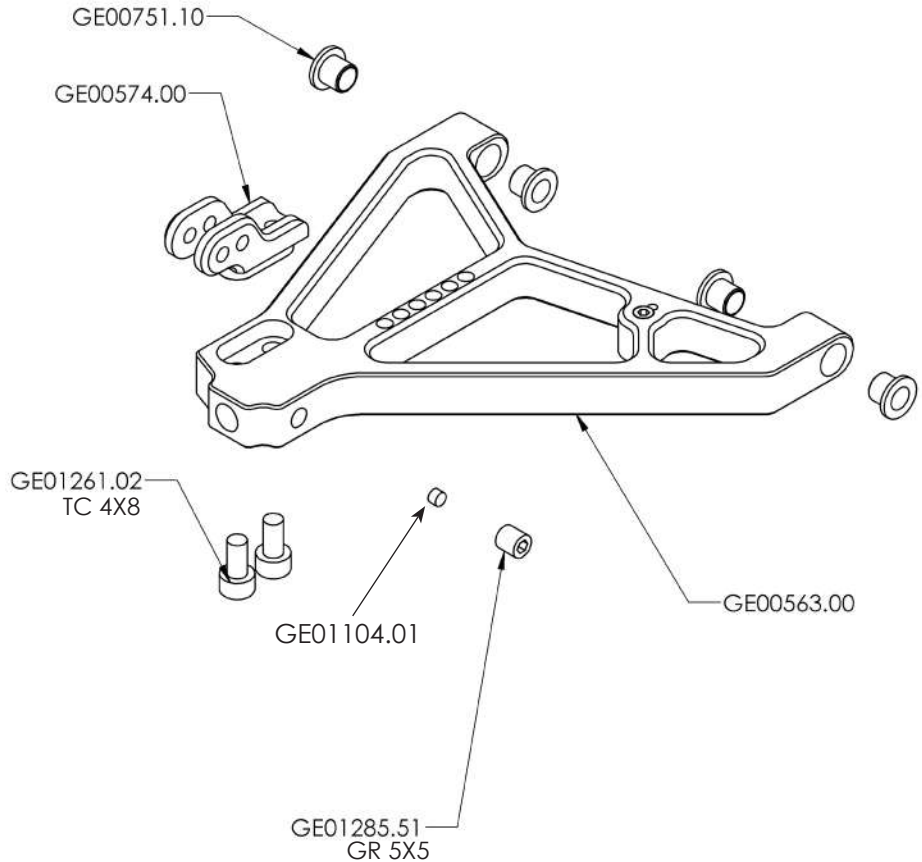
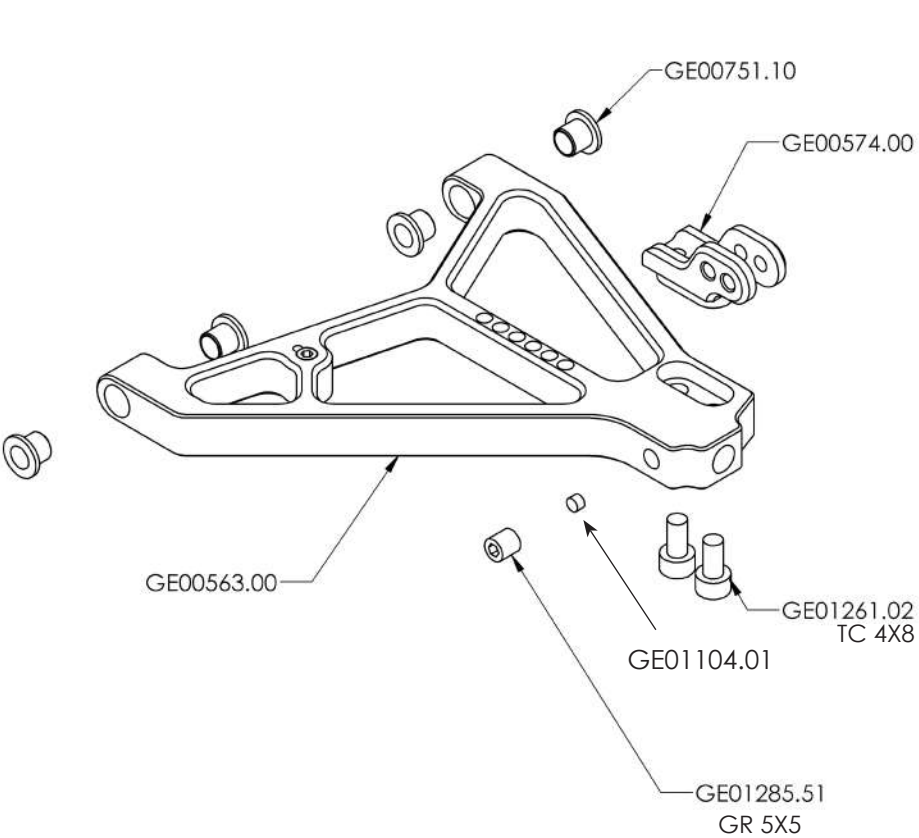
REAR SHOCKS ASSEMBLING



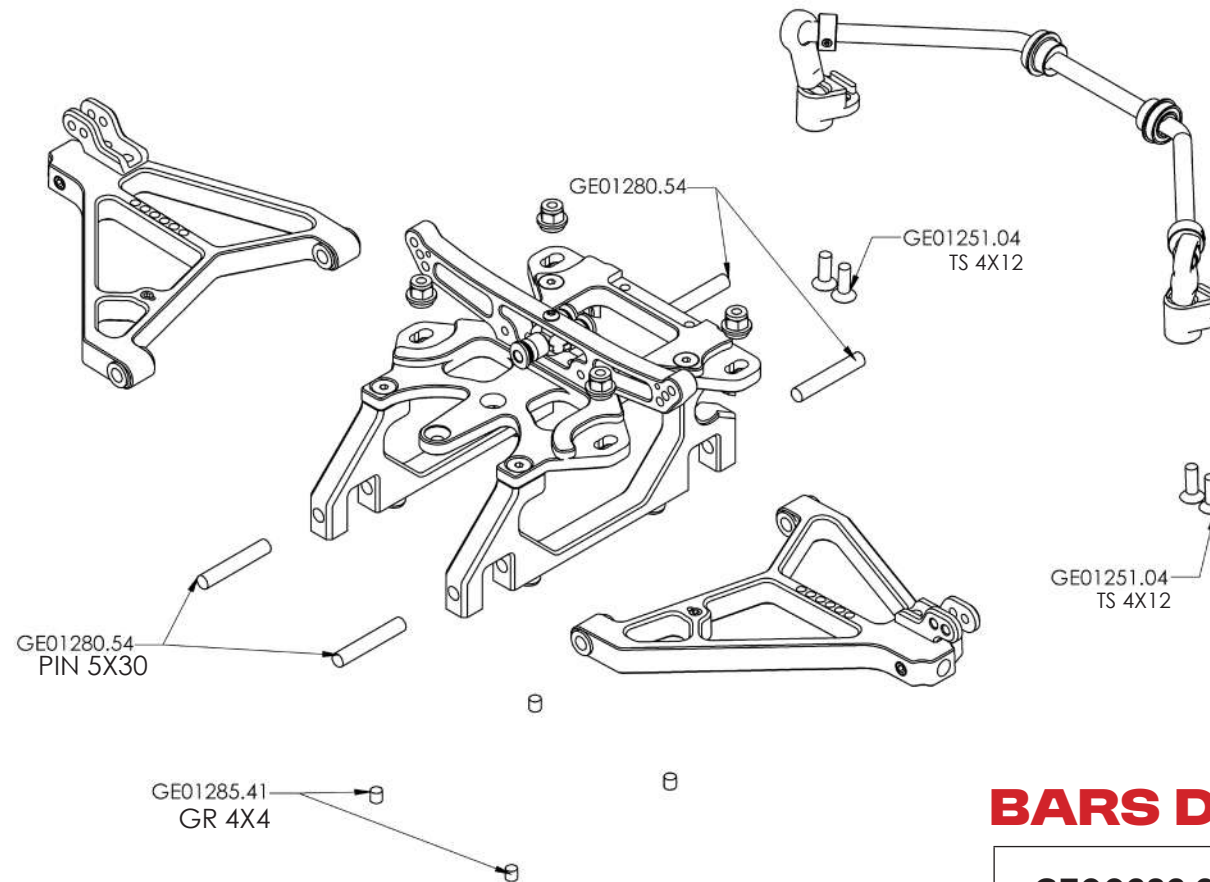
FRONT BULKHEAD



LOWER SUSPENSION ARM FRONT



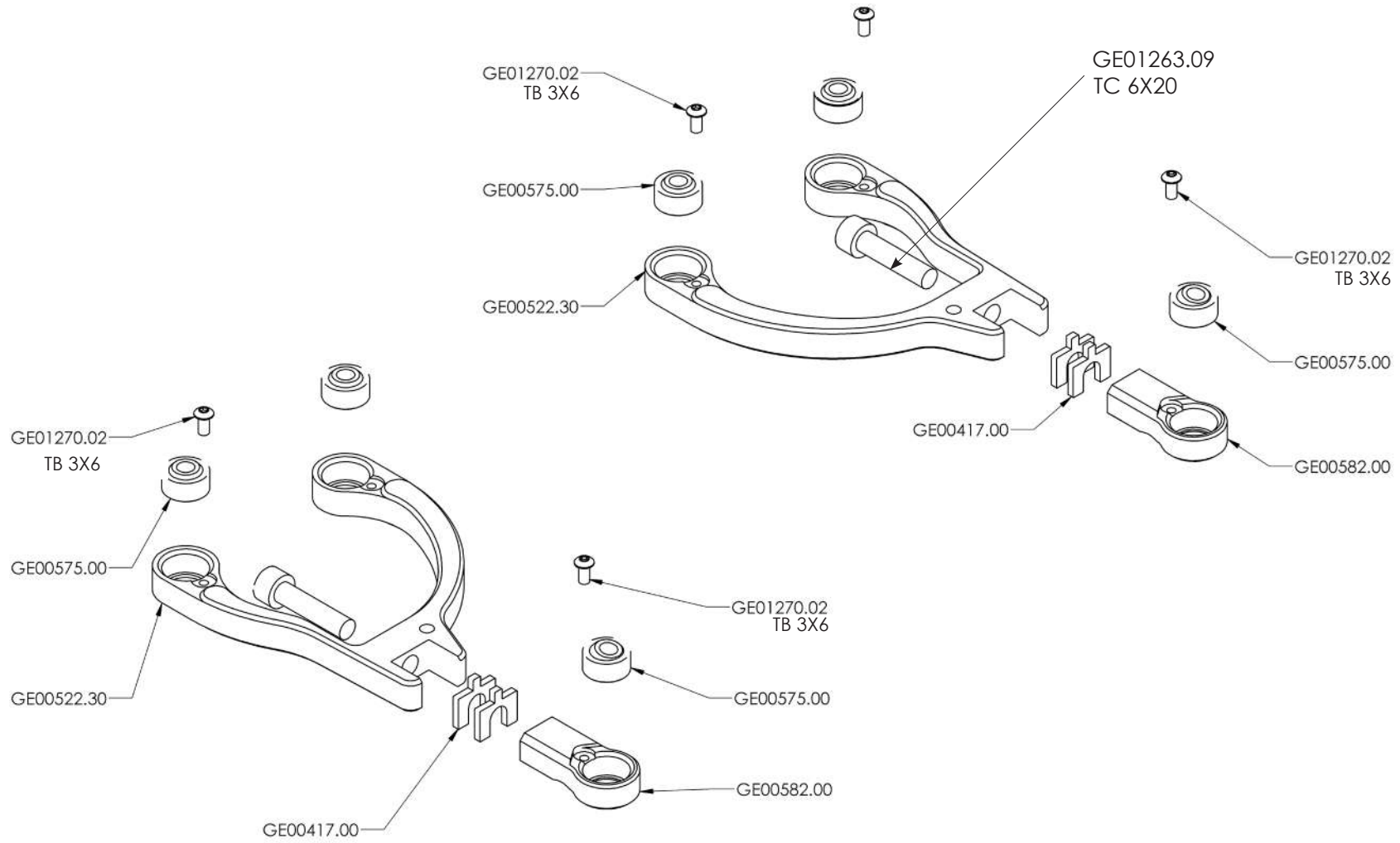
FRONT ASSEMBLING



BARS DIMENSIONS

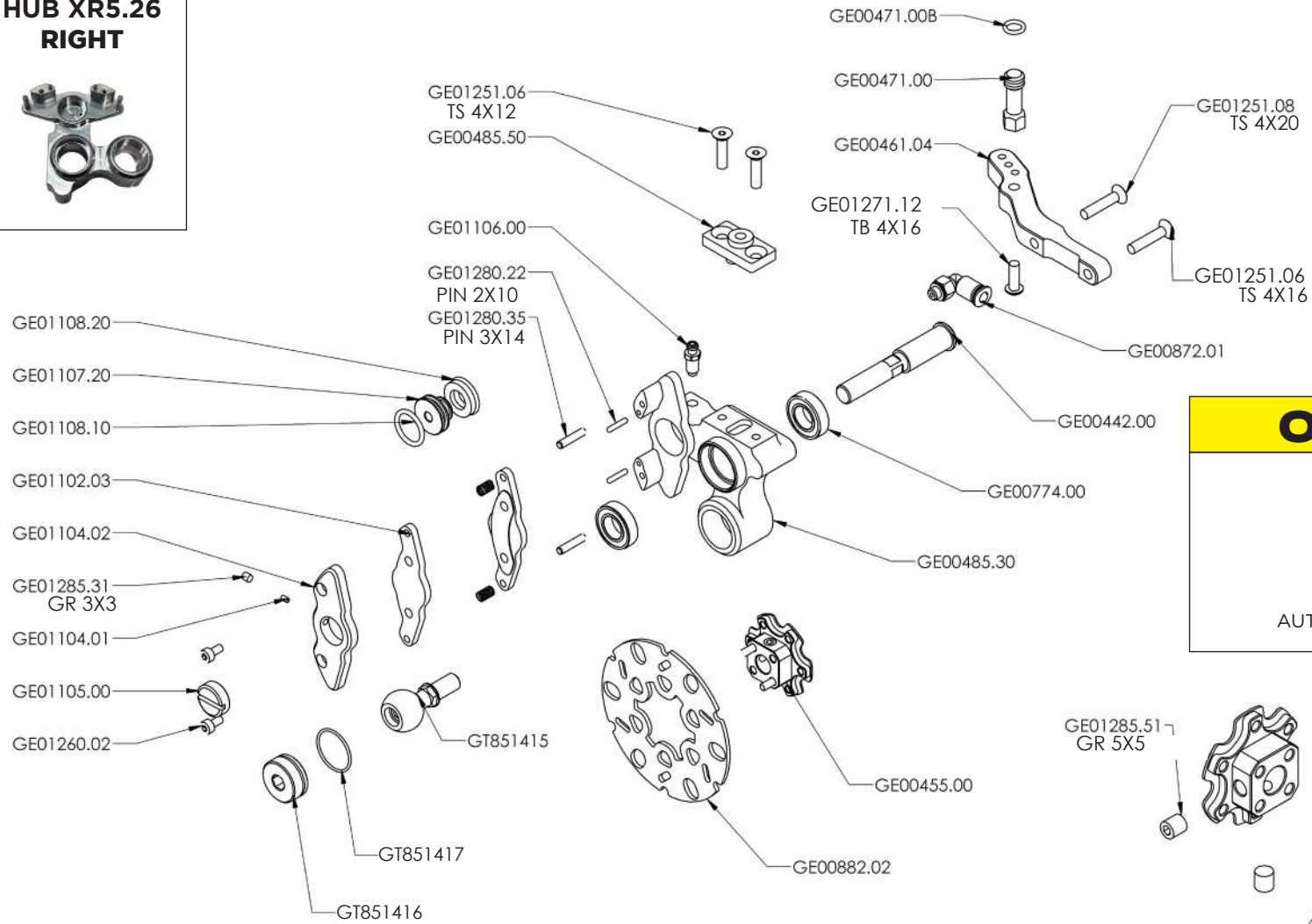
GE00282.20	Ø 6
GE00282.30	Ø 6.4
OPTIONAL	

ASSEMBLING FRONT UP ARMS



FRONT UP RIGHT

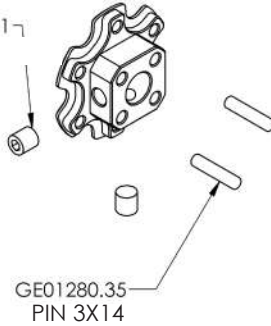
GE00485.30	GE00485.40
HUB XR5.26 RIGHT 	HUB XR5.26 RIGHT 



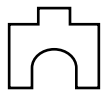
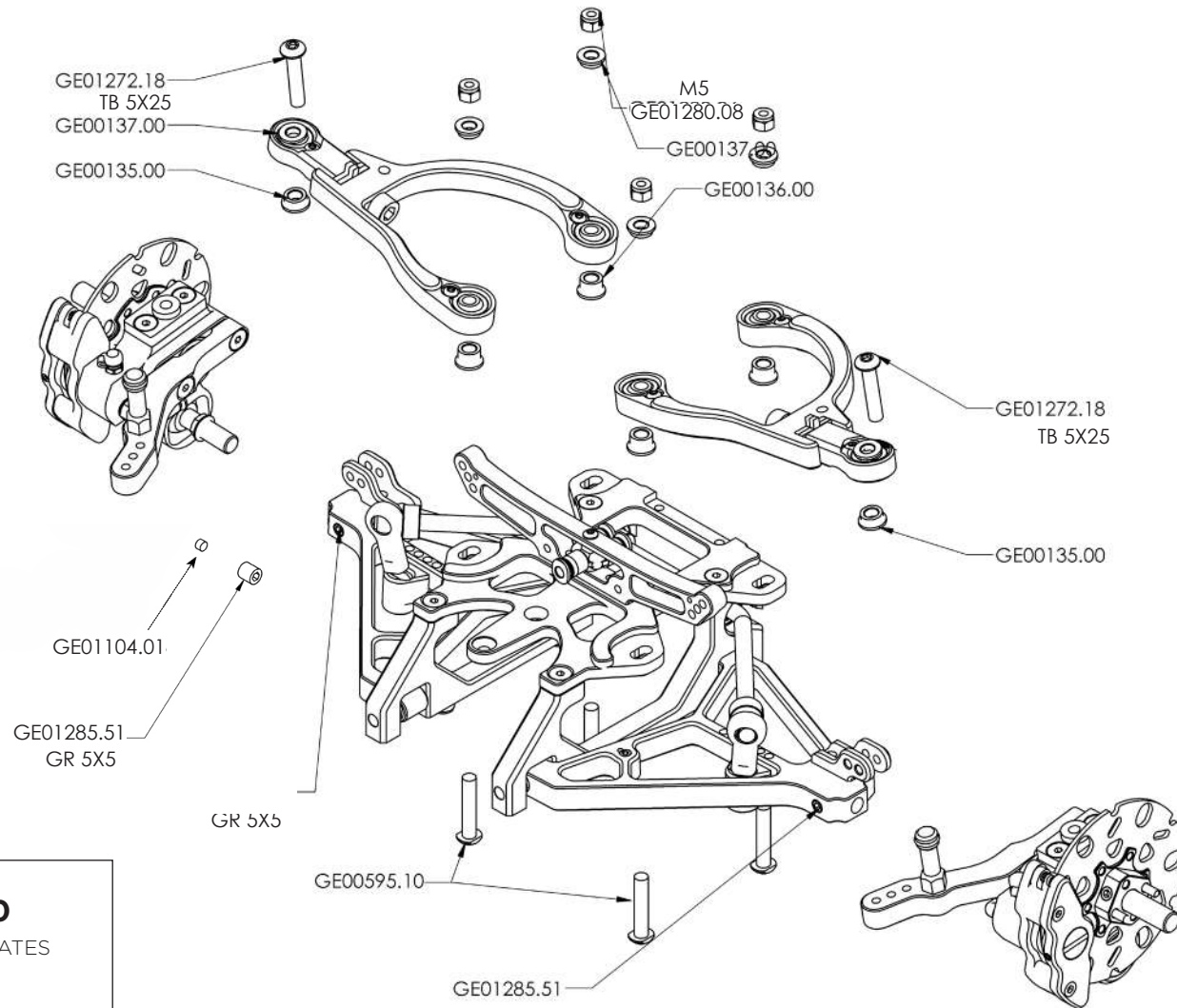
OPTIONAL



GE00730.10
AUTOLOCKING WHEEL NUT (4)

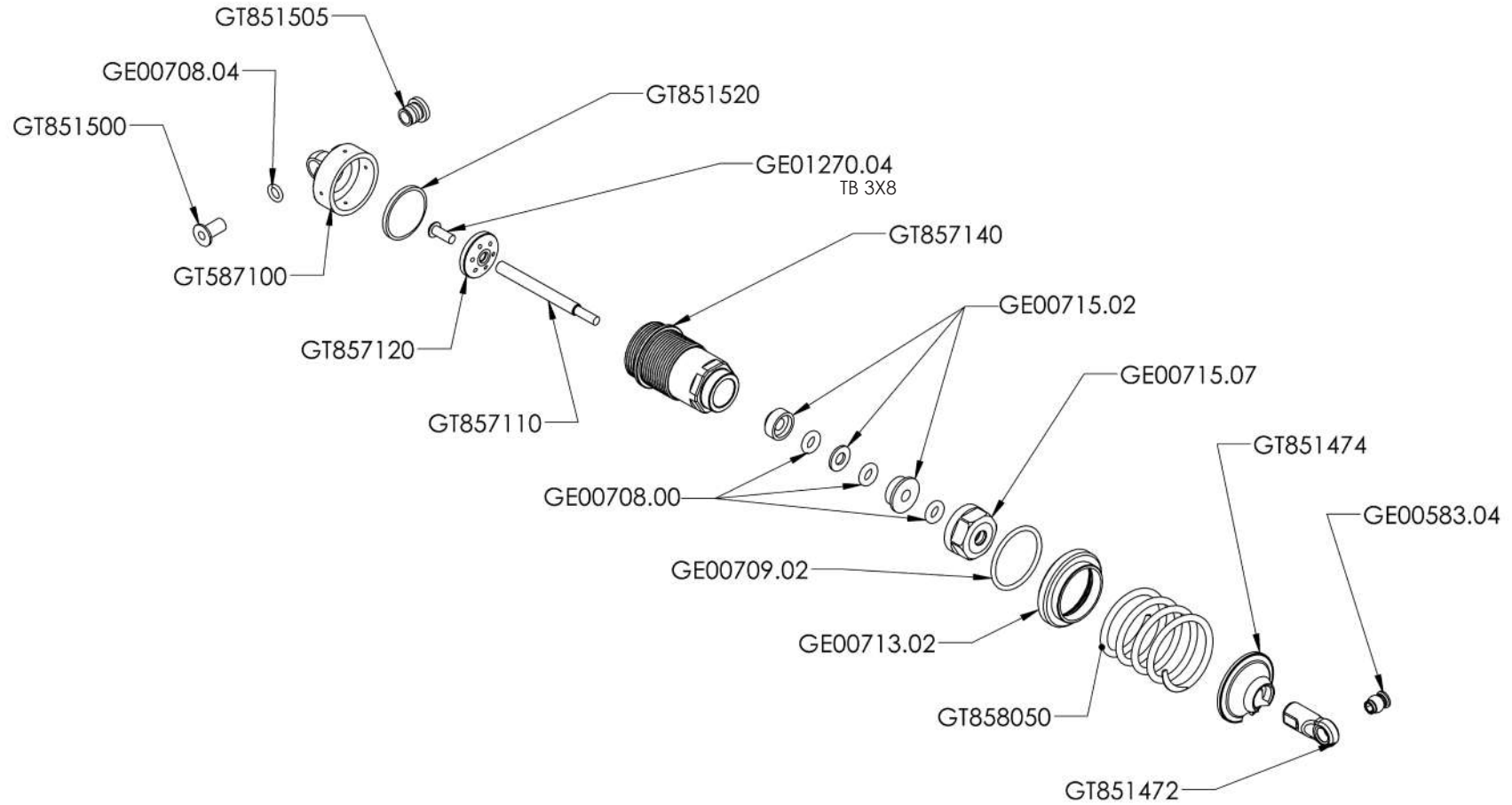


FRONT ASSEMBLING



GE00417.00
ADJUSTMENT PLATES
0.5, 1.0, 2.0MM (6)

SHOCK ASSEMBLING



SHOCK ASSEMBLING



SPRING TABLE AND KITS

GT8 AND XR4.22 - XR5.26

1:5 F1 & XR - XR4 EVO

LINEAR

PROGRESSIVE

BICONICAL

SOFT

SOFT

ORANGE

GT858065



YELLOW

GT858060



RED

GT858055



WHITE

GT858050



DARK BLUE

GT858070



BLUE

GT858045



DARK GREY

GT858075



BLACK

GT858040



GOLD

GT858080



PINK

GT858082



PURPLE

GT858085



SILVER

GT858090



OCRA

GT858095



GREEN FLUO

GT858100



YELLOW

GE00766.00



BLACK

GE00768.00



SILVER

GE00759.01



GREEN FLUO

GE00769.04



ORANGE

GE00769.03



LIGHT BLUE

GE00767.00



GREEN

GE00760.01



GOLD

GE00761.01



RED

GE00769.00



WHITE

GE00769.01



PINK

GE00769.02



HARD

HARD

KIT SPRINGS



GT858000
SHOCK SPRINGS SET (10)



GT858001
SHOCK SPRINGS SET
KIT LINEAR (10)



GT858002
SHOCK SPRINGS SET
KIT PROGRESSIVE (10)



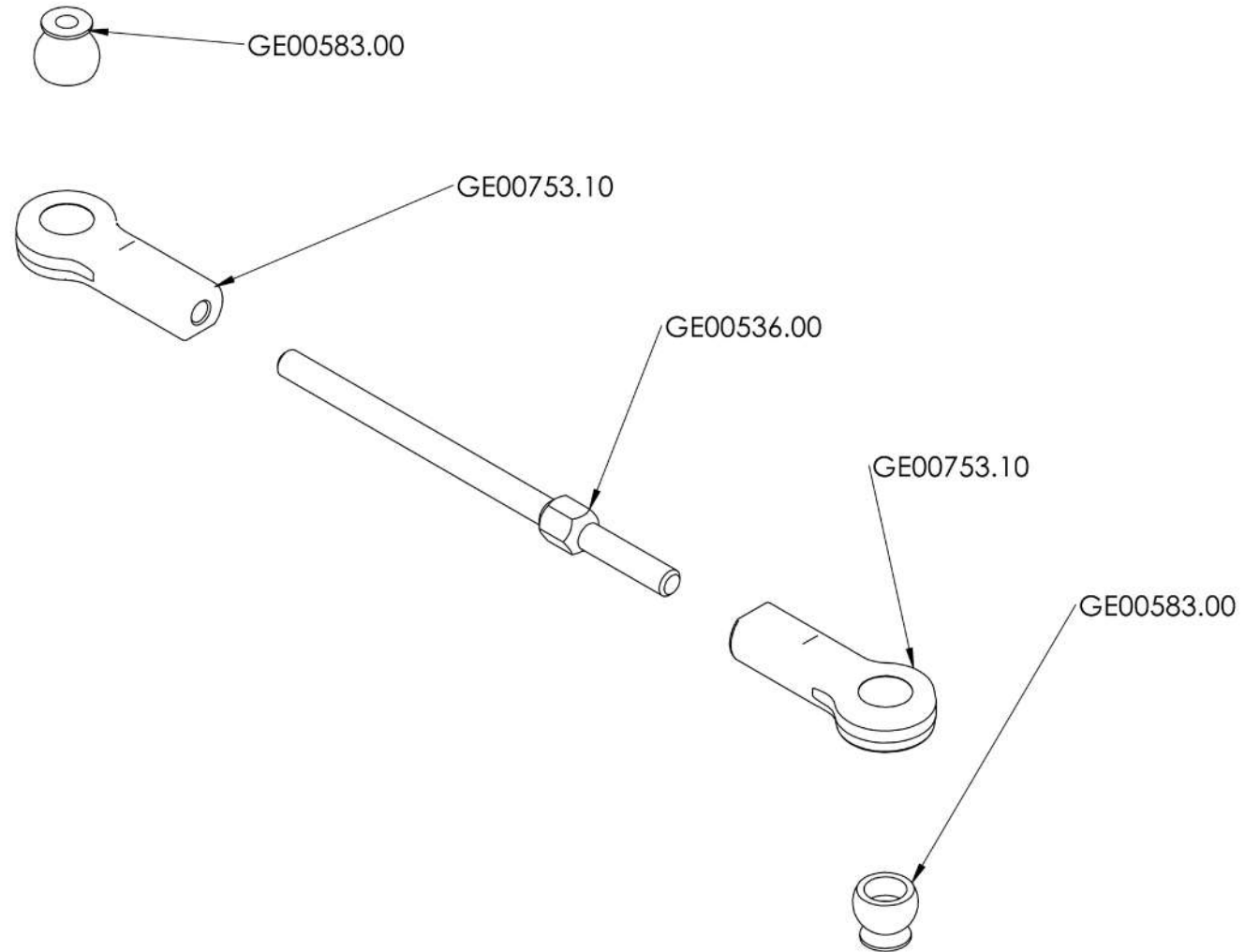
GE00769.50
PROGRESSIVE **BICONICAL**
SPRING KIT



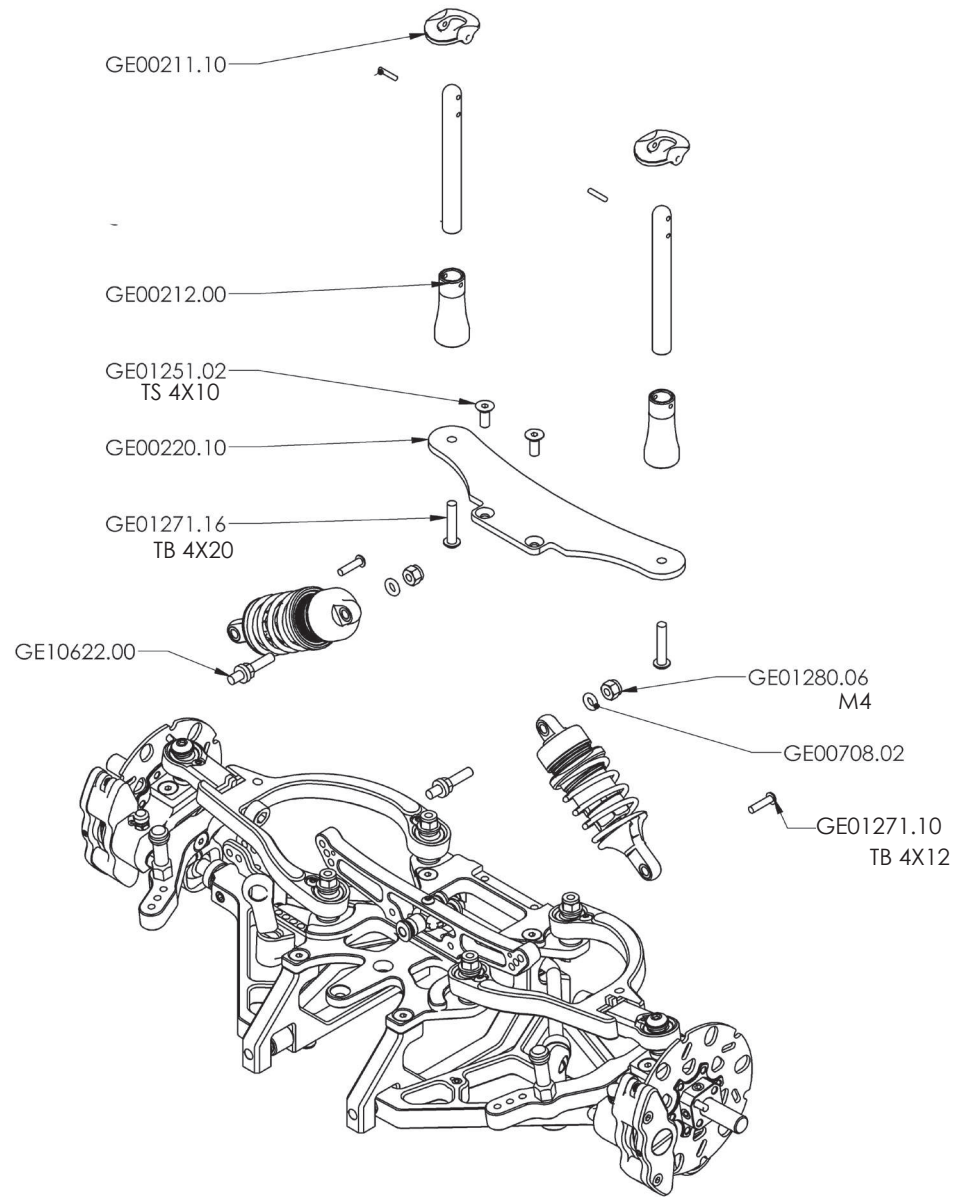
SHOP NOW

WWW.MODELTEKSHOP.COM

STEERING ARMS



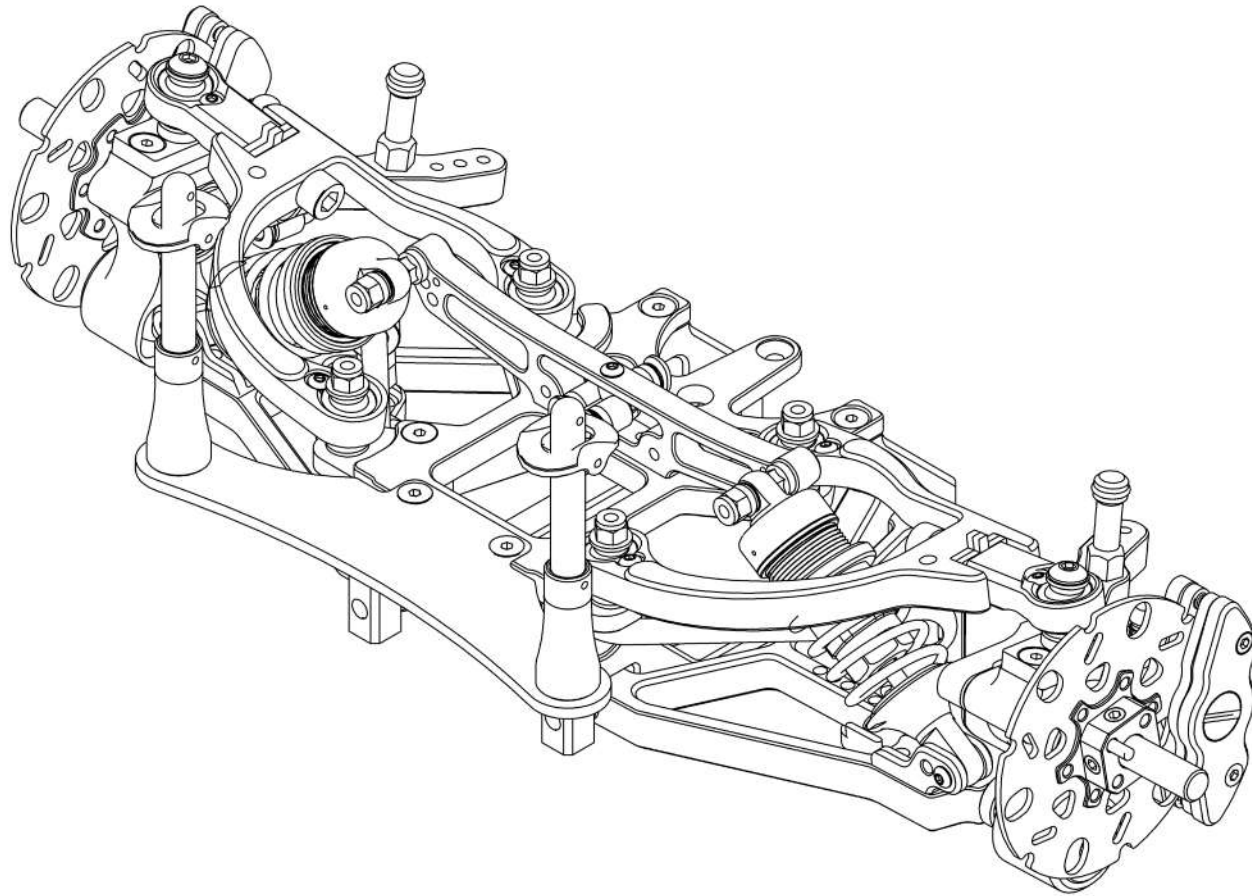
FRONT BODY MOUNT AND SHOCKS



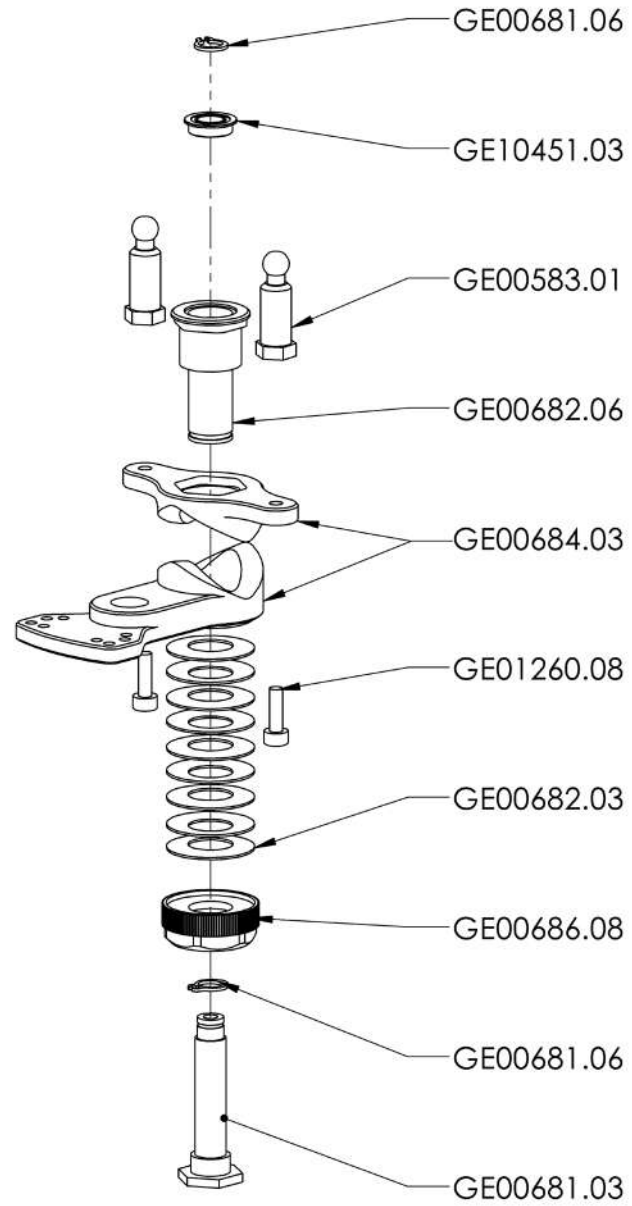
OPTIONAL



GE00220.11
CARBON FRONT BODY SUPPORT



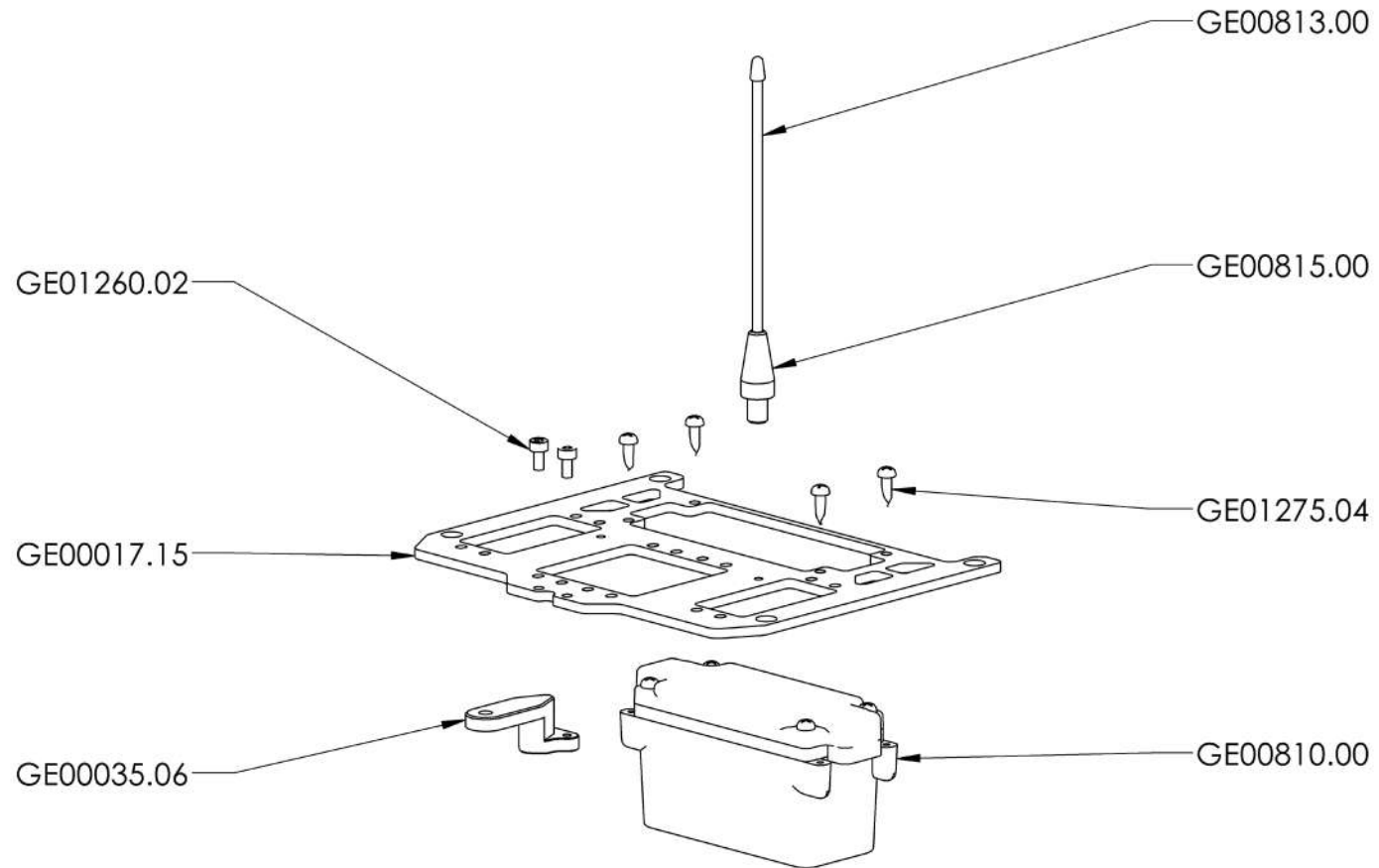
SERVO SAVER ASSEMBLING



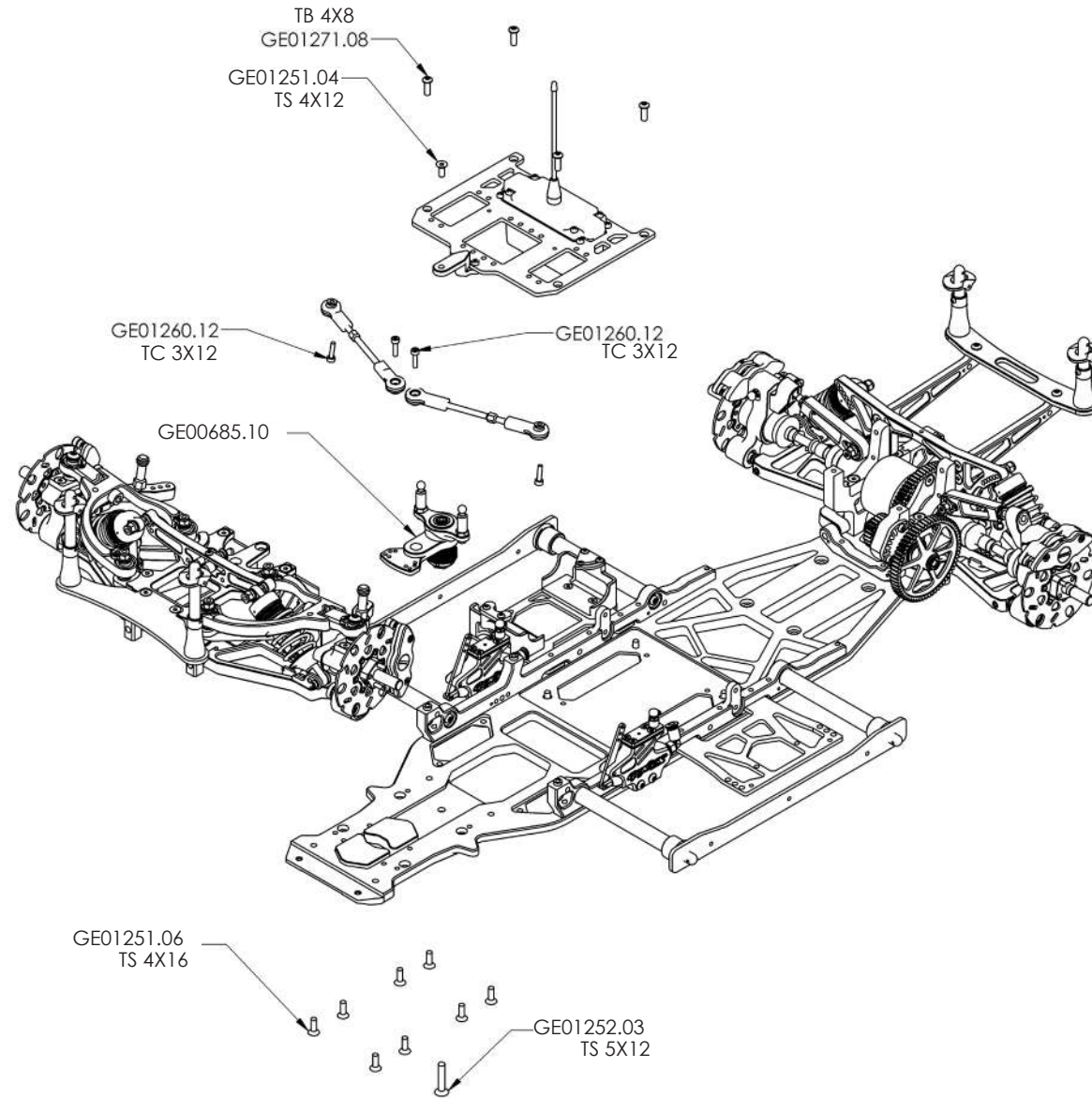
SERVO SAVER ASSEMBLING



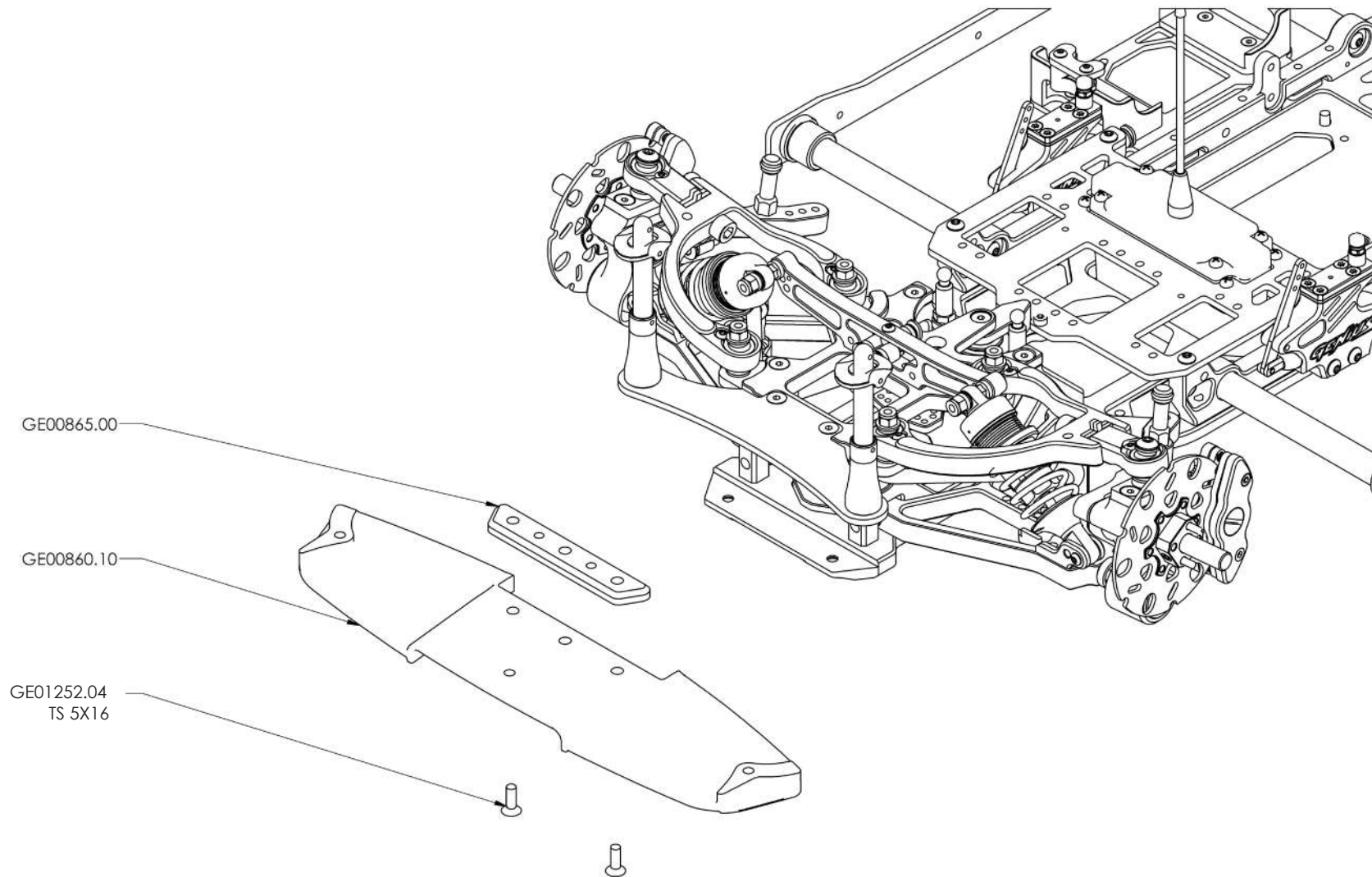
RADIO PLATE MOUNT



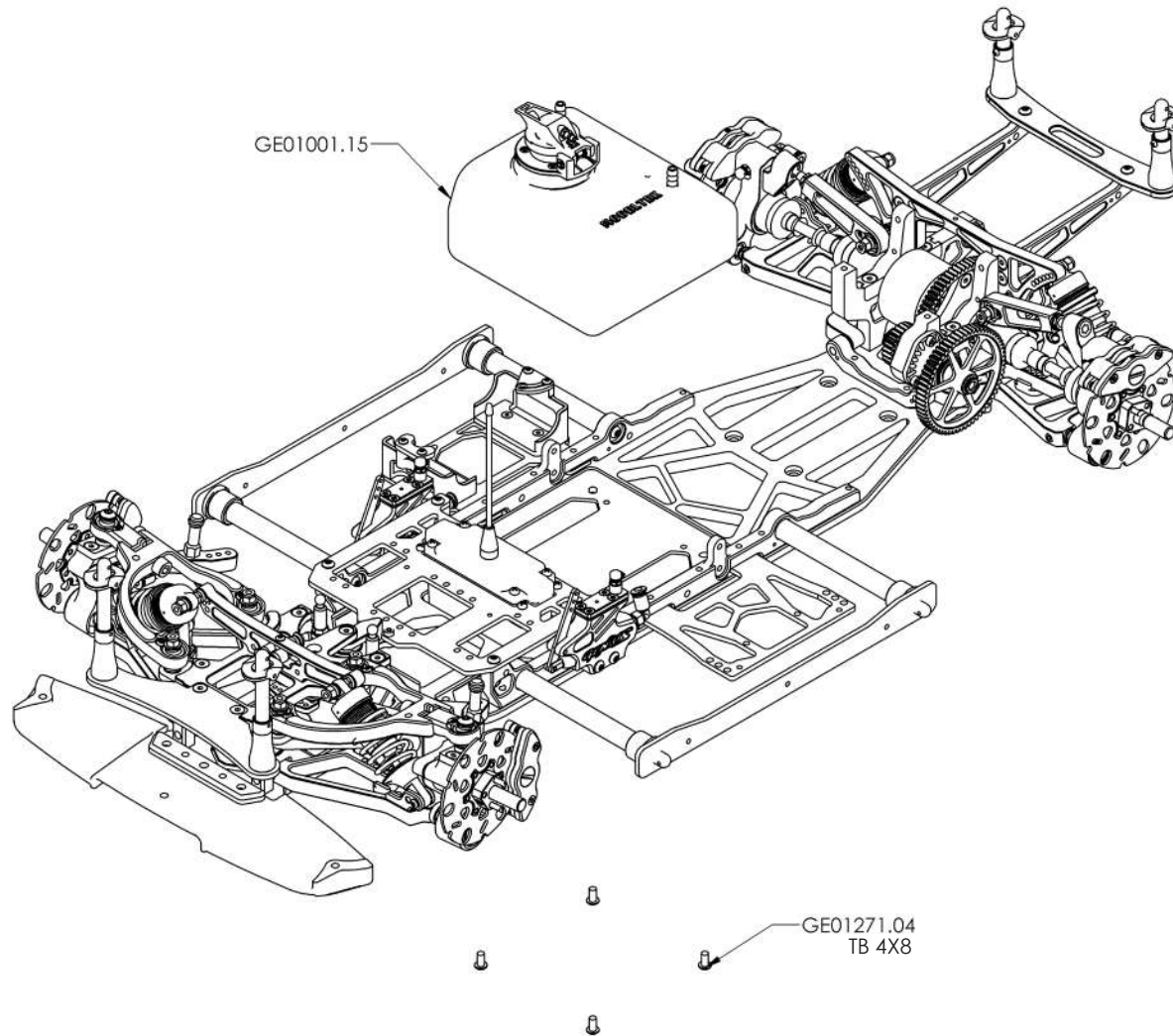
RADIO PLATE AND FRONT MOUNT



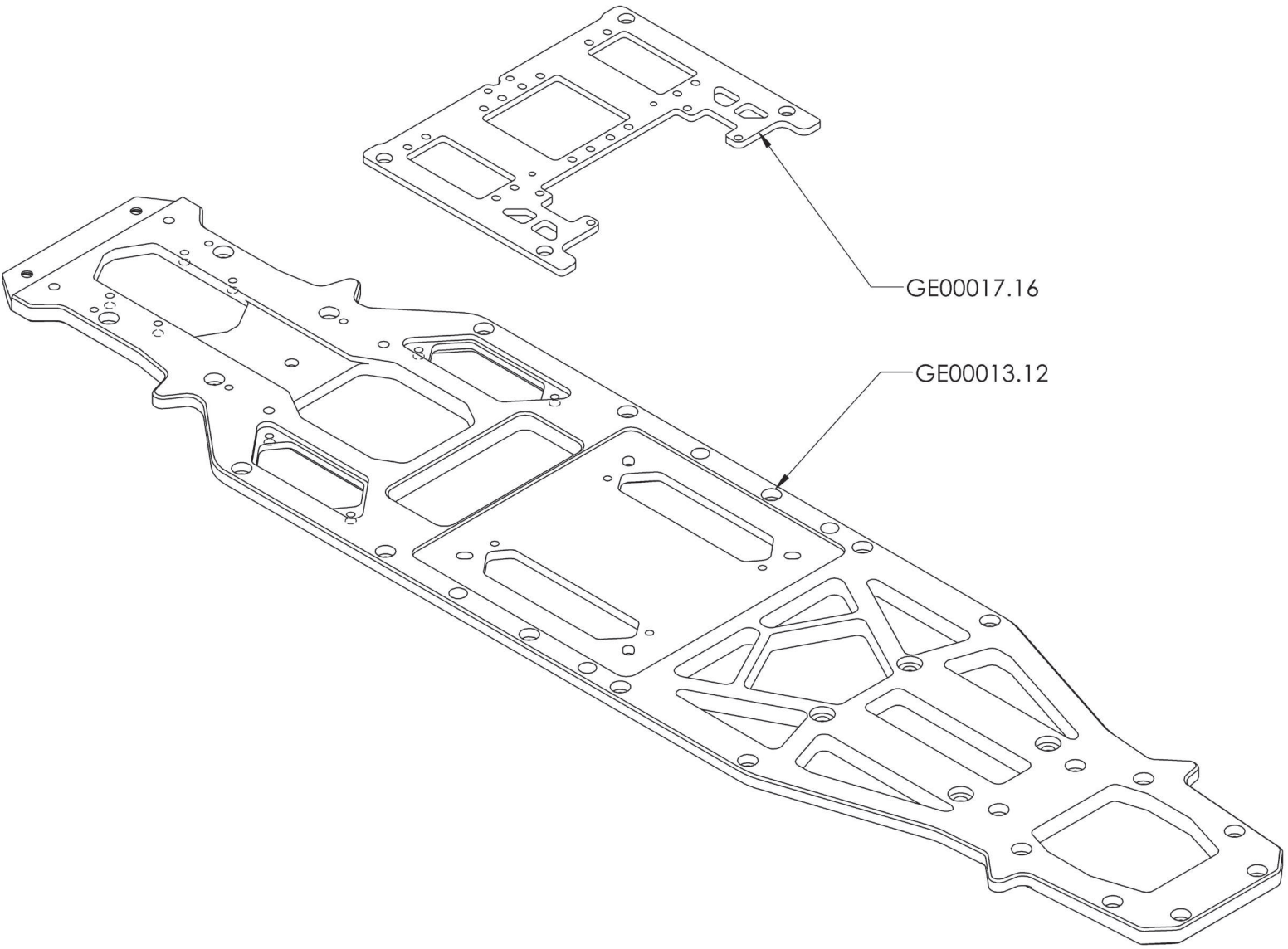
FRONT BAUMPER ASSEMBLING



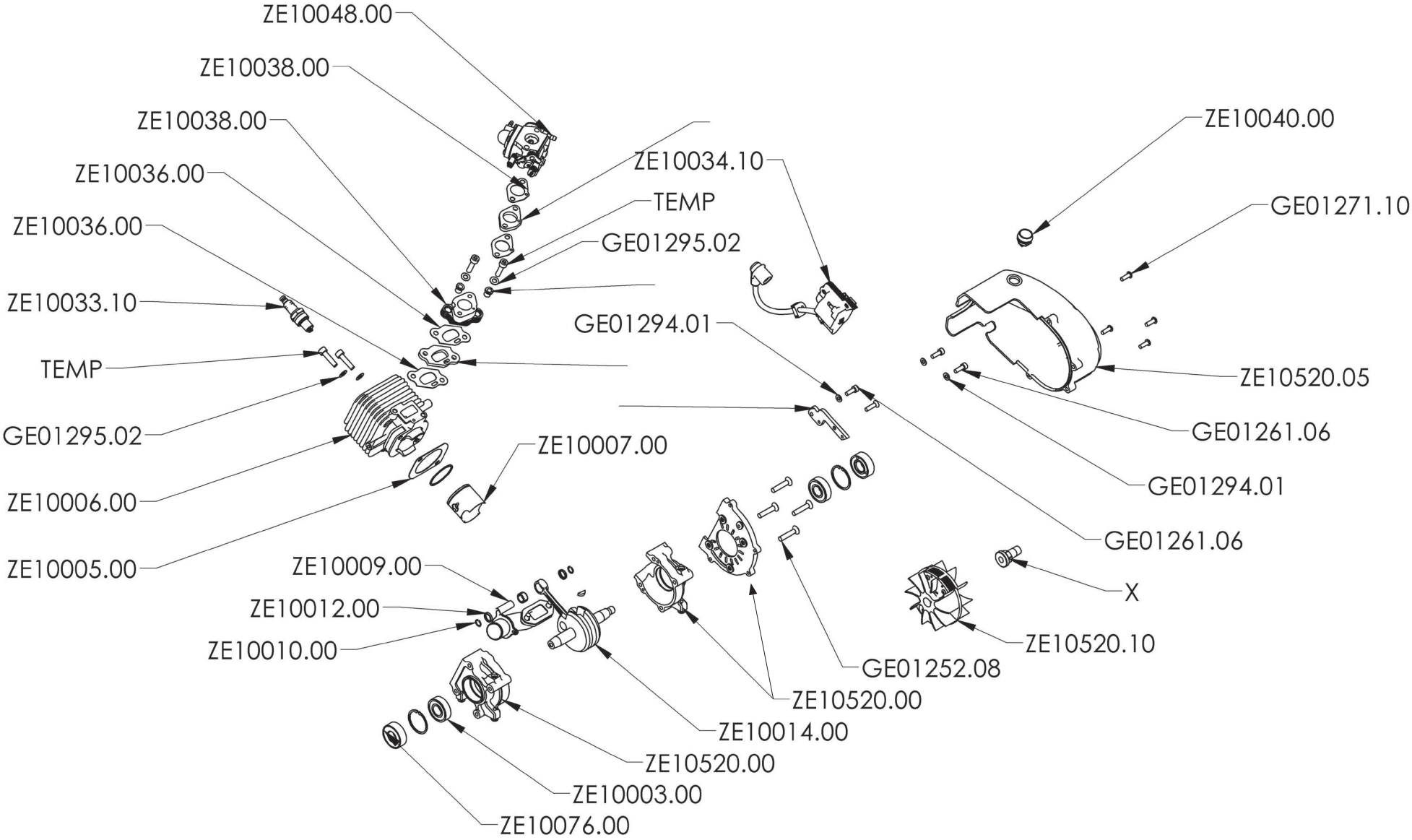
FUEL TANK ASSEMBLING



XR5.26 D 500mm



DIABLO R ASSEMBLING



OPTIONALS DIABLO R



ZE10520.30



DIABLO R MOTOR FIXING PLATE

ZE10520.40



DIABLO R CASTLE FIXING PLATE

ZE10520.20



CLUTCH SUPPORT SET

ZE10520.10



COOLING FAN DIABLO R

MA00962.10



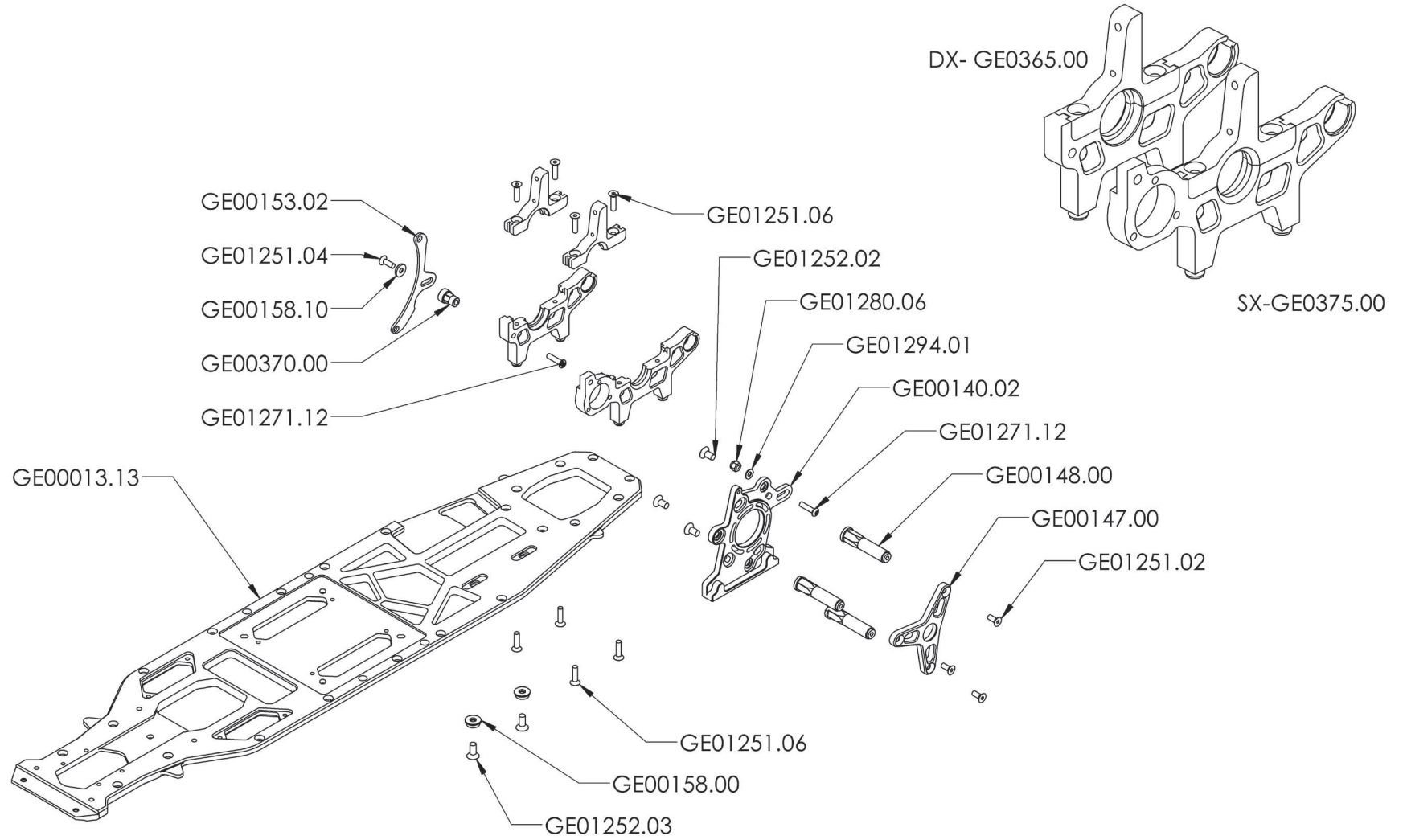
**MANIFOLD TIT. FOR BEST PIPE
ENGINE DIABLO R**

SC00200.00



**START-ADAPTER FOR
E-STARTER/FANWHEEL**

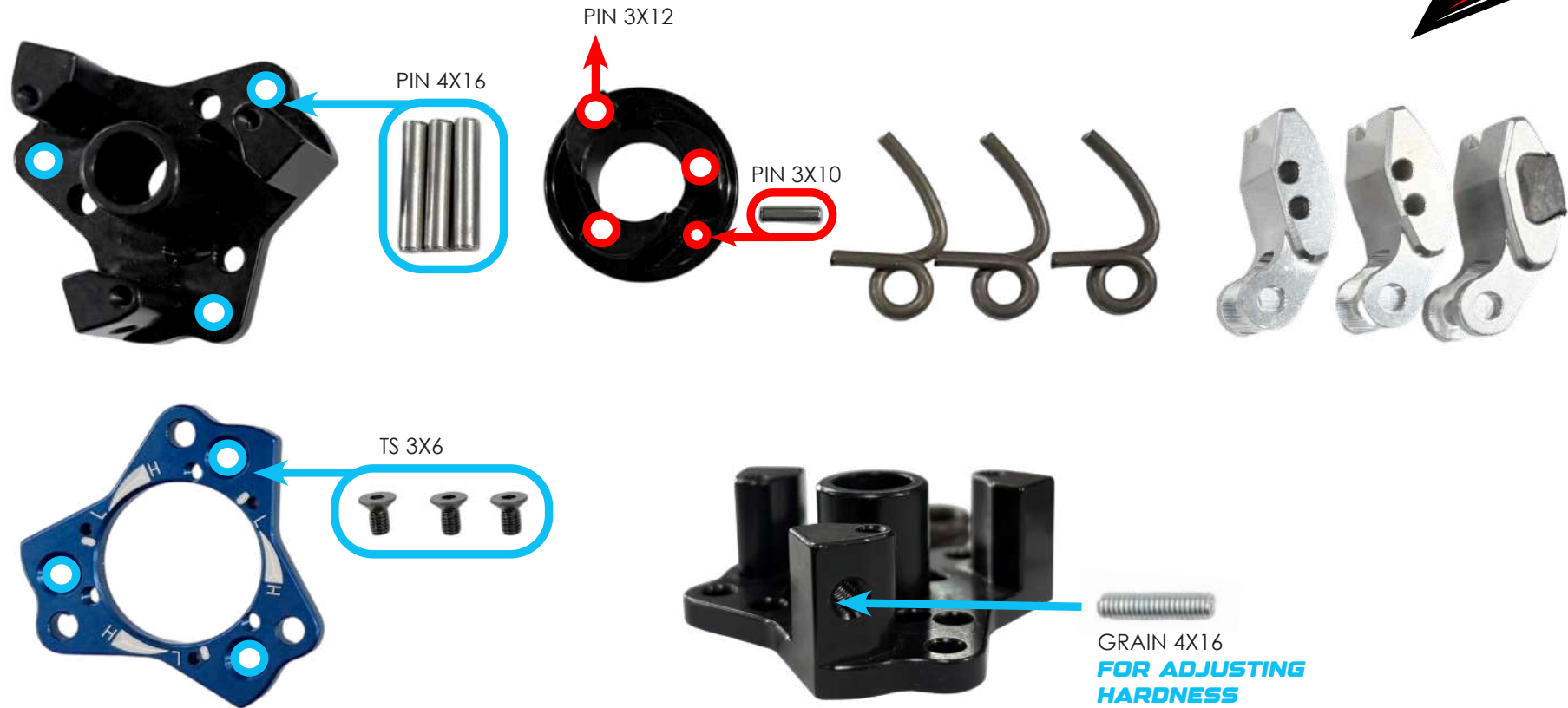
XR5.26 S ASSEMBLING



CLUTCH ASSEMBLING - TORKX



THE TORKX CLUTCH IS FOR **ALL SERIES XR5.26**



GE01250.01	TS 3X6
x	PIN 4X16
GE01285.46	GRAIN 4X16
GE01280.33	PIN 3X12
GE01280.31	PIN 3X10

CLUTCH ASSEMBLING



STANDARD EQUIPMENT

CLUTCH SPRINGS 2,5

RANGE 12.000 - 14.000 RPM

**IDEAL FOR
HIGH GRIP TRACK**

CODE: GE00842.15



OPTIONAL EQUIPMENT

CLUTCH SPRINGS 2,4

RANGE 9.000 - 11.000 RPM

**IDEAL FOR
LOW GRIP TRACK**

CODE: GE00842.10



STRAINS SUPPORT

FOR TORK X

CODE: GE00841.10



CODE: GE00839.20



CODE: GE0843.00



CLUTCH ADJUSTING TOOL

CODE: GE0580.00



CLUTCH REMOVING TOOL