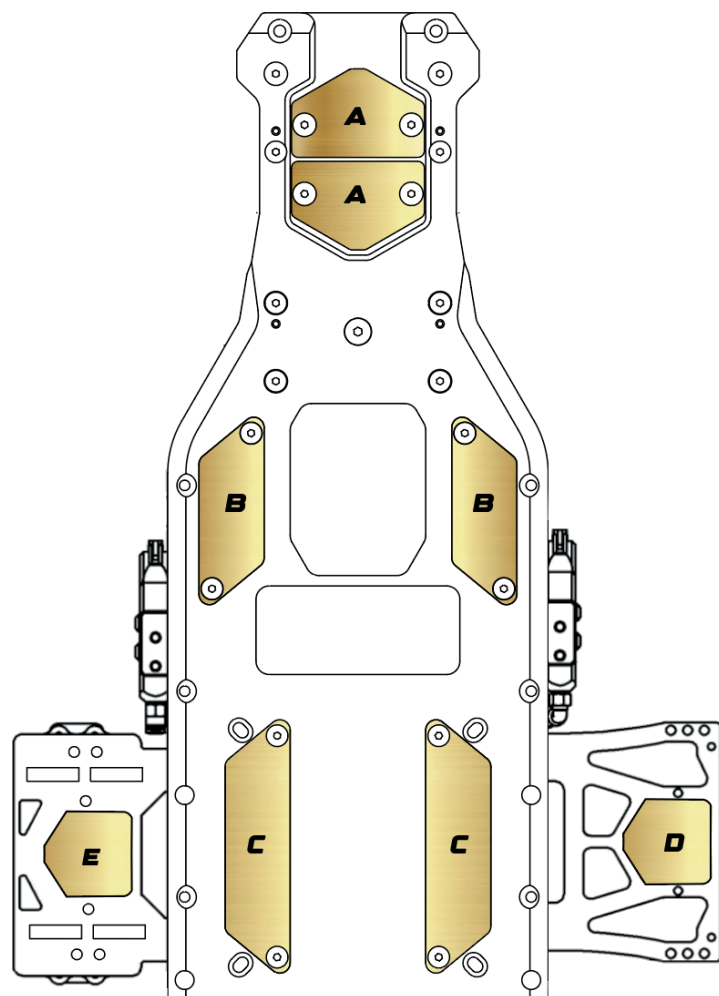
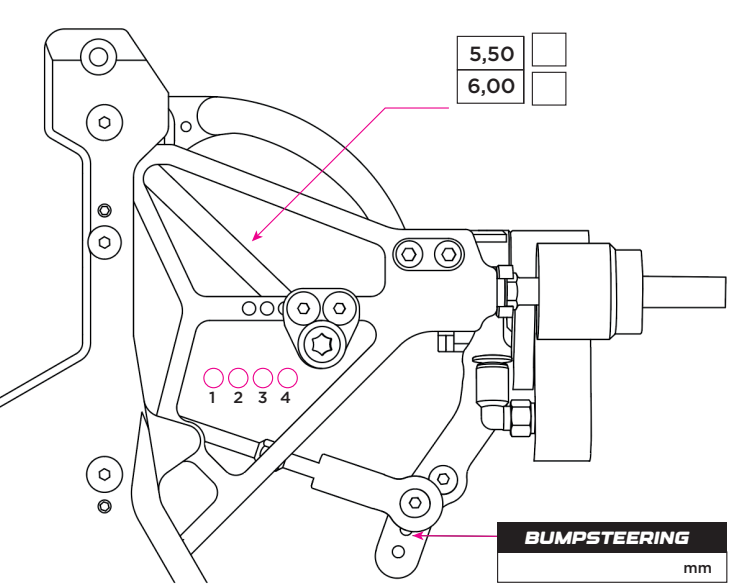
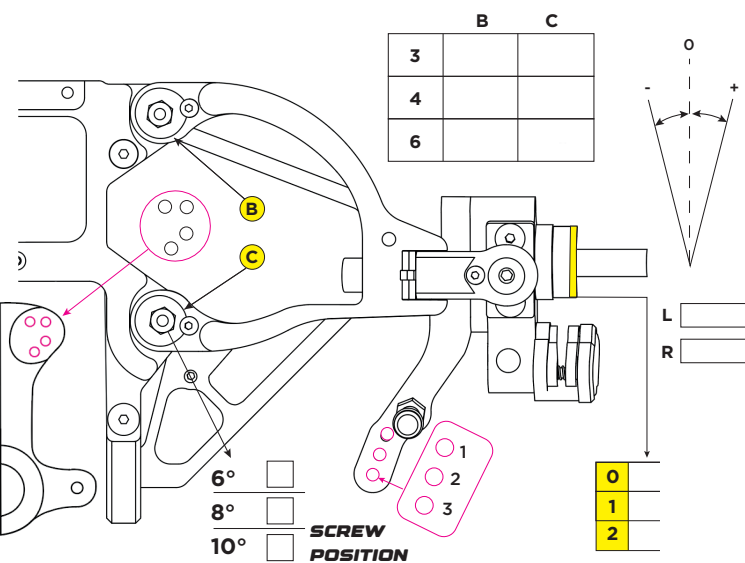
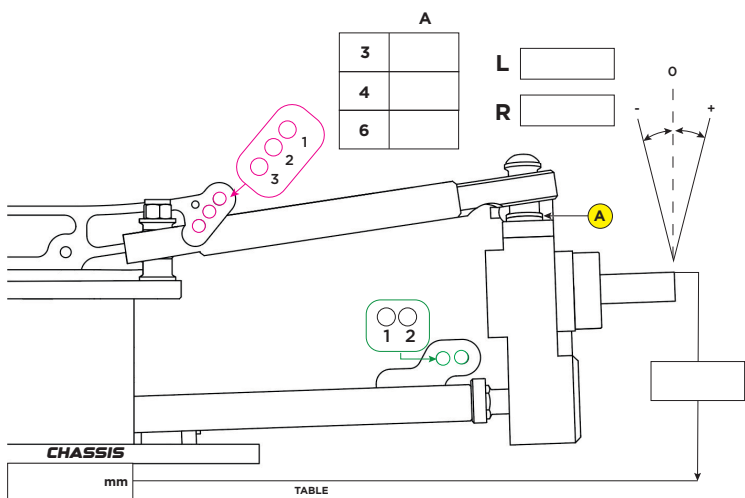


# SET UP

# XR5.26

## FRONT

## WEIGHTS



**A**

50g  100g

YES  x1  YES  x1

NO  x2  NO  x2

L **B** R

50g  50g

YES  YES

NO  NO

L **C** R

75g  75g

YES  YES

NO  NO

**D**

50g  100g

YES  YES

NO  NO

**E**

50g  YES

NO  NO

100g  YES

NO  NO

