



XR5.26

INSTRUCTION MANUAL 2026



CHASSIS ASSEMBLY WITH REINFORCEMENT	1-6
LOWER SUSPENSION ARM REAR	7-8
REAR ASSEMBLING	9-13
REAR UPRIGHT	14
ASSEMBLING REAR UP ARMS	15
CARDAN AXEL ASSEMBLY	16
REAR ASSEMBLING	17
FRONT ANTI-ROLL BAR	18
REAR ANTI-ROLL BAR	19
ASSEMBLING REAR ANTI-ROLL BAR	20
REAR SHOCK ASSEMBLING	21-22
FRONT BULKHEAD	23
LOWER SUSPENSION ARM FRONT	24
FRONT ASSEMBLING	25
ASSEMBLING FRONT UP ARMS	26

FRONT UPRIGHT	27
FRONT ASSEMBLING	28
SHOCK ASSEMBLING	29-30
SPINGS TABLE AND KITS	31
STEERING ARMS	32
FRONT BODY MOUNT AND SHOCKS	33-34
SERVO SAVER ASSEMBLING	35-36
RADIO PLATE MOUNT	37
RADIO PLATE AND FRONT MOUNT	38
FRONT BAUMPER ASSEMBLING	39
FUEL TANK ASSEMBLING	40
XR5.26 D 500mm	41
DIABLO R ASSEMBLING AND OPTIONALS	42-45
XR5.26 S ASSEMBLING	46
CLUTCH ASSEMBLING AND TOOLS	47-48-49 -50



ASSEMBLAGGIO DEL TELAIO CON RINFORZO	1-6
BRACCIO INFERIORE SOSPENSIONE POSTERIORE	7-8
ASSEMBLAGGIO POSTERIORE	9-13
MONTANTE POSTERIORE	14
ASSEMBLAGGIO BRACCI SUPERIORI POSTERIORI	15
ASSEMBLAGGIO ASSE CARDANO	16
ASSEMBLAGGIO POSTERIORE	17
BARRA ANTIROLLIO ANTERIORE	18
BARRA ANTIROLLIO POSTERIORE	19
ASSEMBLAGGIO DELLA BARRA ANTIROLLIO POSTERIORE	20
ASSEMBLAGGIO AMMORTIZZATORE POSTERIORE	21-22
CASTELLO ANTERIORE	23
BRACCIO INFERIORE DELLA SOSPENSIONE ANTERIORE	24
ASSEMBLAGGIO ANTERIORE	25
ASSEMBLAGGIO DEI BRACCI SUPERIORI ANTERIORI	26

MONTANTE ANTERIORE	27
ASSEMBLAGGIO ANTERIORE	28
ASSEMBLAGGIO AMMORTIZZATORE	29-30
TABELLA E KIT DI MOLLE	31
BRACCETTI STERZO	32
MONTAGGIO ANTERIORE E AMMORTIZZATORI	33-34
ASSEMBLAGGIO SALVA SERVO	35-36
SUPPORTO PIASTRA RADIO	37
PIASTRA RADIO E SUPPORTO ANTERIORE	38
ASSEMBLAGGIO BAUPER ANTERIORE	39
ASSEMBLAGGIO DEL SERBATOIO	40
XR5.26 D 500mm	41
DIABLO R ASSEMBLAGGIO E OPTIONALS	42-45
XR5.26 S ASSEMBLAGGIO	46
ASSEMBLAGGIO FRIZIONE E UTENSILI	47-48-49 -50

MOUNTING COMPONENTS KITS

XR5.26 D ALL VERSIONS

1



2



MOUNTING COMPONENTS KITS

XR5.26 D

ALL
VERSIONS

3



4



MOUNTING COMPONENTS KITS

XR5.26 E





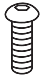

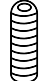






3



ONLINE SHOPPING CODES TABLE



KIT 1

X		4,2 x 20 for plastic	GT8500345		BRAKE LINKAGE LEVER
X		4,2 x 13 for plastic	GE00211.10		COLUMN SUPP. BODY FRONT/REAR ROCKER
GE01271.12		TB 4X16	GE00171.00		CARBON SIDE BULKHEAD
GE01285.46		GR 4X16	GE00813.00		RECEIVER ANTENNA
GE01280.24		PIN 2X20			
GE00861.00		BAUMPER FRONT SPONGE			
GE00182.00		FRONT ROLL BAR SUPPORT 5.5 MM			
GE00204.00		COLUMN SUPPORT LATERAL			
GE00861.10		FRONT BAUMPER FOAM RETAINING PEGS			

ONLINE SHOPPING CODES TABLE



KIT 2



GE01280.00		TC 3X16
GE01280.00		NUT M3
X		SHIM 3X6X5
GE01275.03		TB 3X9,5
GE00583.00		BALL FOR UNIBALL 6mm
GE00810.00		RECEIVER BOX
GT851200		ADJ TURNBUCKLE STEEL M4 L/R 50 mm EXA 4
GE00753.00		PLASTIC UNIBALL M4
GE00417.00		CAMBER ADJ PLATES SET - 0,5 - 1 - 2 mm

GE01257.05		PLASTIC T SERO LINKAGE
GE00815.00		RECEIVER ANTENNA
X		COLLARS

ONLINE SHOPPING CODES TABLE





KIT 3

GE01251.02		TS 4X10
GE00875.00		LOCKING TUBE CLIPS
GE01106.00		BRAKE BLEEDING VALVE INOX
GE00395.00		DRIVE SHAFT BOOTS
GE00391.12		DRIVE SHAFT ALU 102 mm
GE00394.00		BALL BEARINGS FOR DRIVESHAFTS 5mm
GE0088.00		DIFF SPURE GEAR Z 72 M1
GE00870.01		BRAKE JUNKTION Y PIPE 4mm
GE00872.02		BRAKE JUNKTION TUBE 4mm

GE00872.01		BRAKE UNION L TUBE 4mm
GE00392.01		BRAKE FLUID BLUE 250ML
GE00873.00		3MM BRAKE TUBE 2M

PLASTIC BAG

GE00565.00		GUIDE BUSH PVC THREA- DLOCK THREADLOCK 2,4mm
GE01104.01		PVC BUSH THREADLOCK BRAKE

ONLINE SHOPPING CODES TABLE

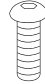





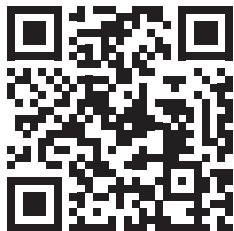
KIT 4

GE01157.05		PLASTIC T SERVO LINKAGE
GE01157.05		PLASTIC T SERVO LINKAGE
GE01012.10		FUEL TUBE SUPPORT
GE00755.00		PLATIC UNIBALL M2
GE01012.00		FUEL TANK PIPES WITH FILTER
GE01157.00		ACCELERATOR ROD WITH UNIBALL



KIT 5

GE01272.06		TB 5X10
GE01261.06		TC 4X12
X		TC 5X25 ULTRA-LOW HEAD
GE01295.02		SHIM Ø 5x10x0,5



CHASSIS ASSEMBLY WITH REINFORCEMENT

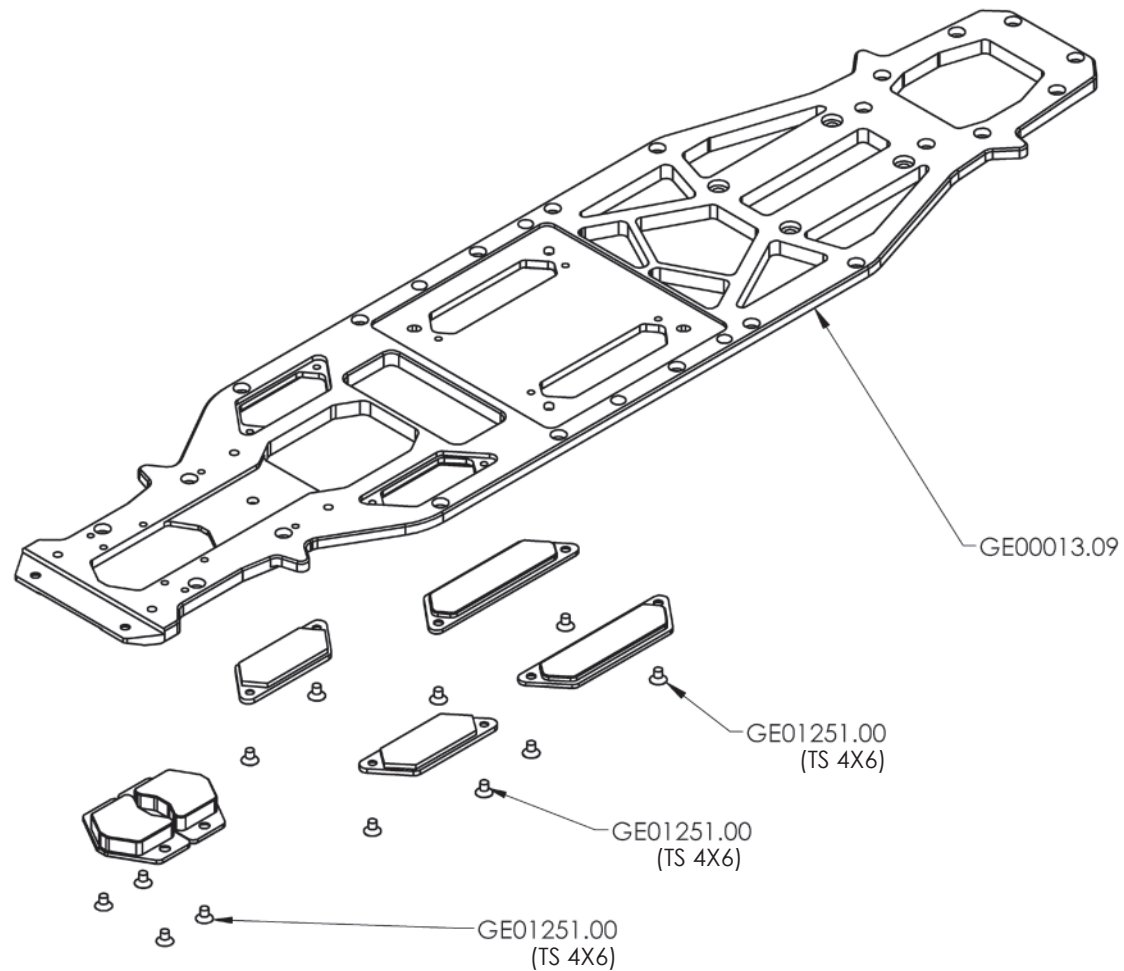


OPTIONALS

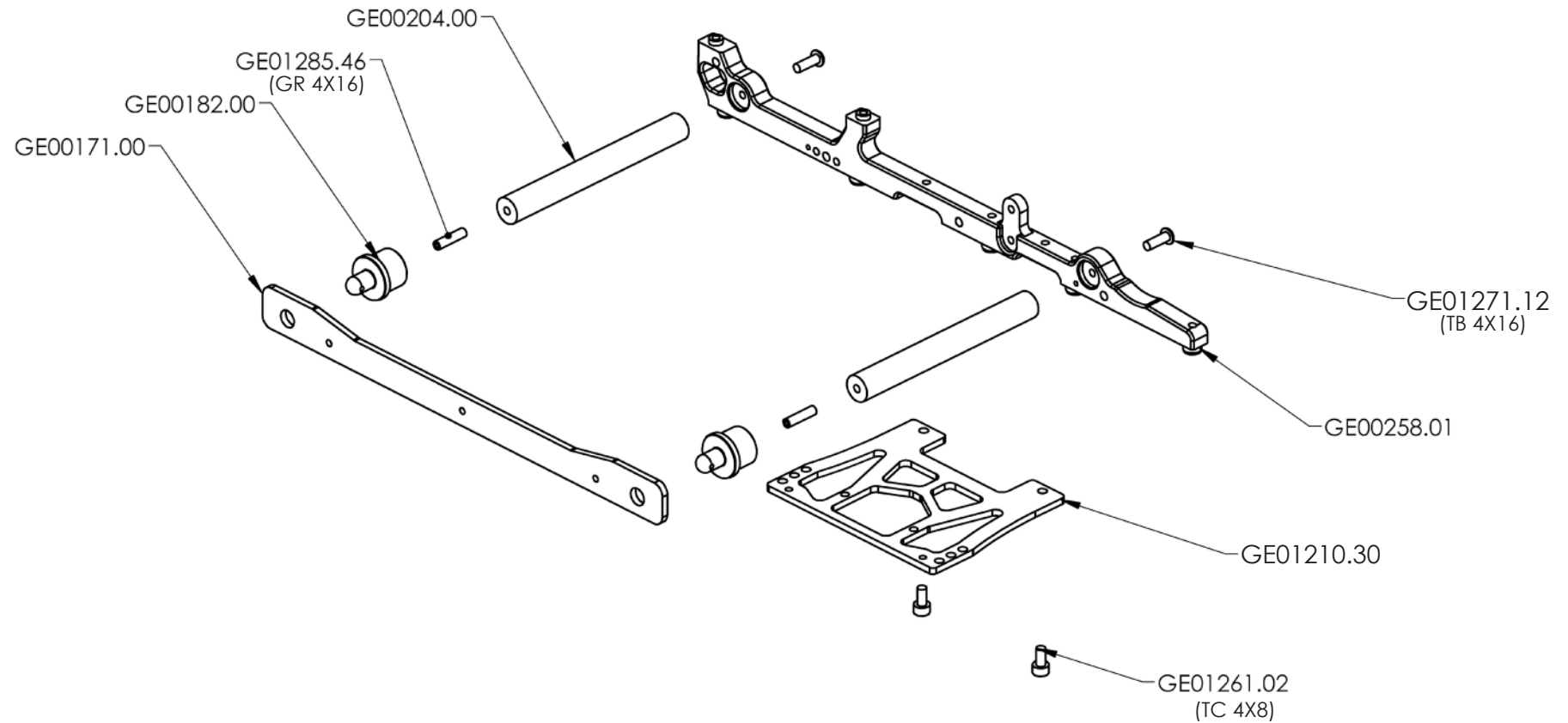
50g	100g
	
DESCRIPTION	CODE
WEIGHT	GE00014.00

50g	50g
	
DESCRIPTION	CODE
WEIGHT	GE00014.10

75g	75g
	
optional parts	
DESCRIPTION	CODE
WEIGHT	GE00014.20



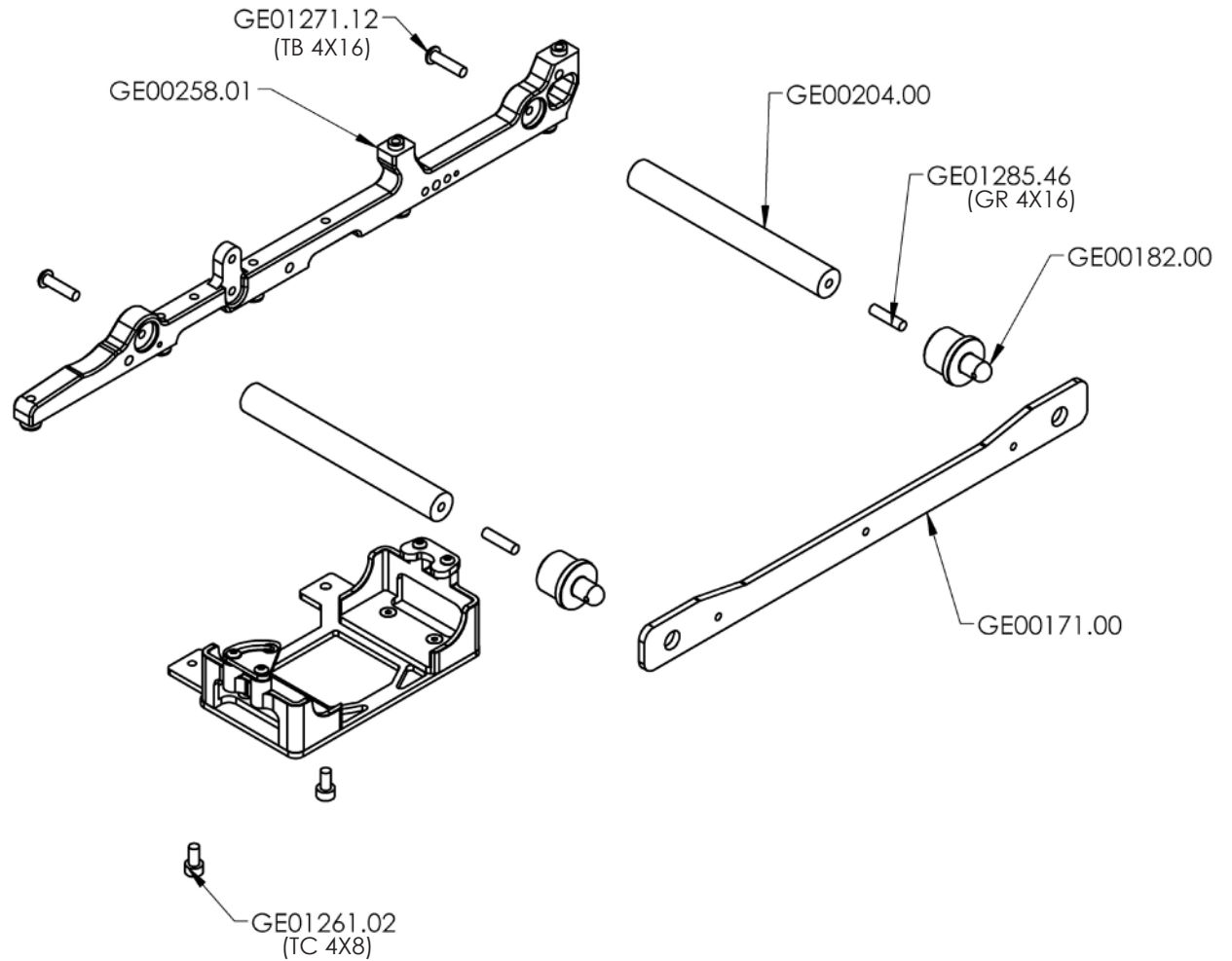
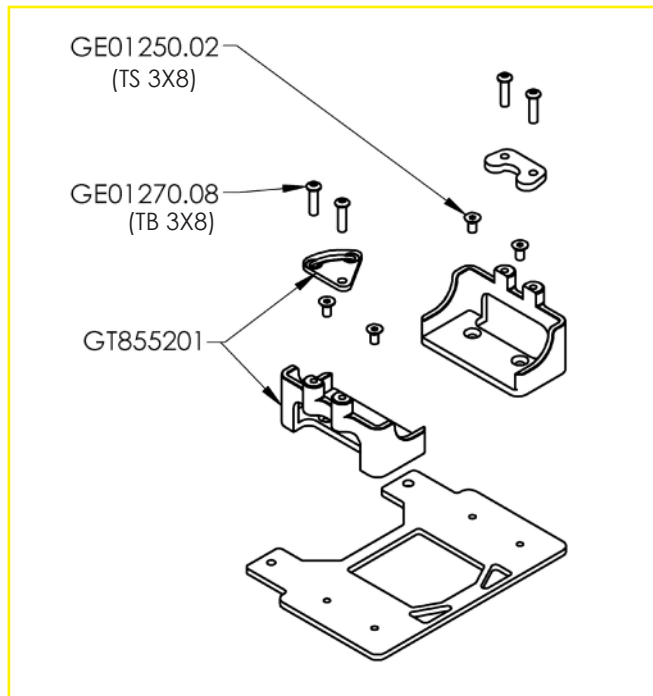
CHASSIS ASSEMBLY WITH REINFORCEMENT



CHASSIS ASSEMBLY WITH REINFORCEMENT

COMPLETE SET

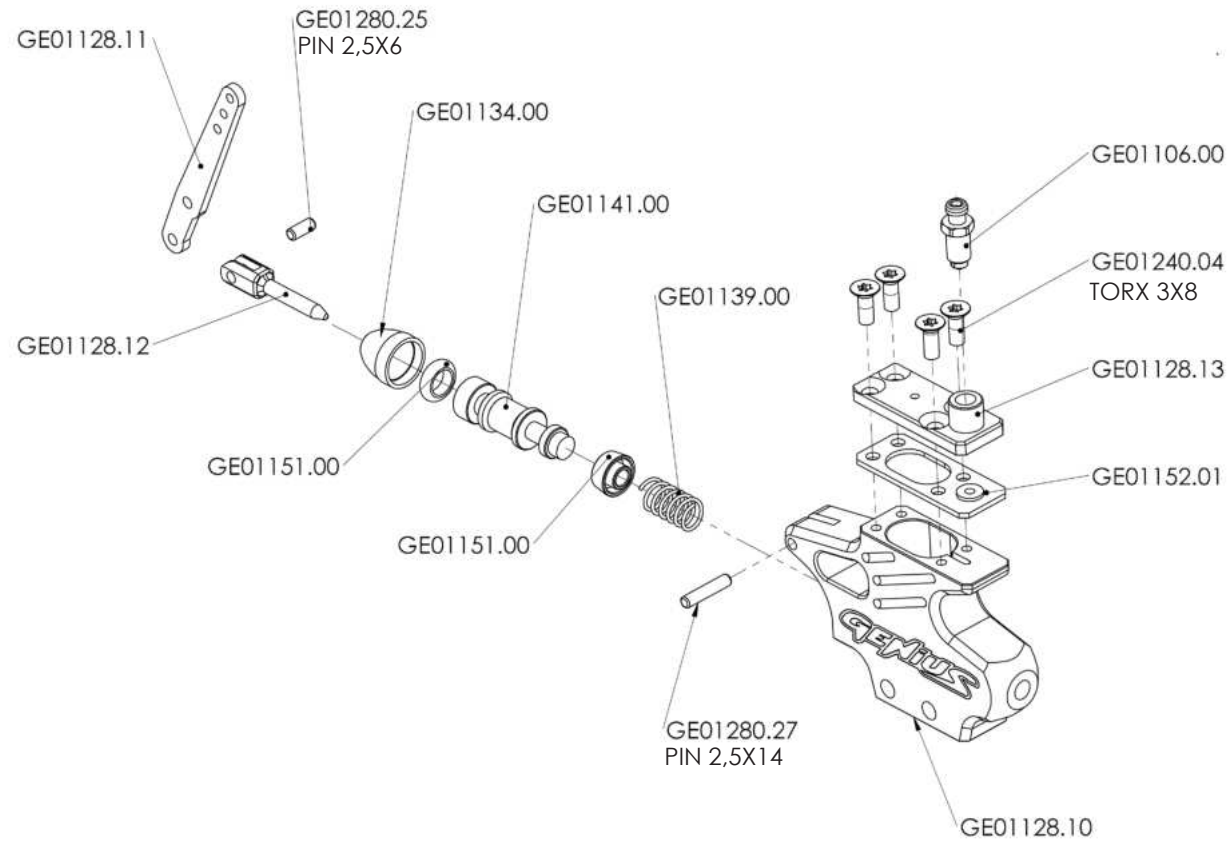
GE01203.12 Hard case short set



CHASSIS ASSEMBLY WITH REINFORCEMENT

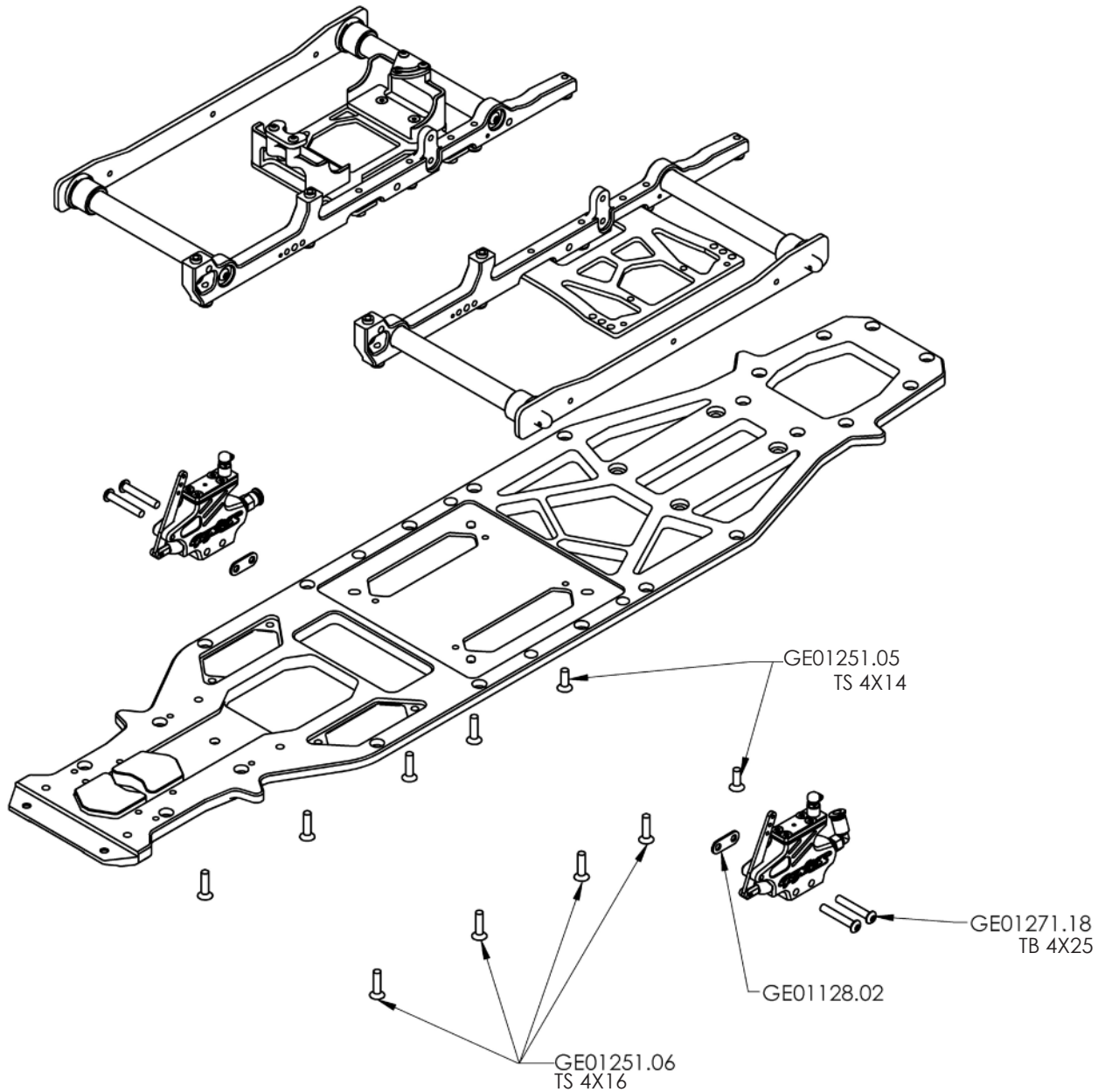
MASTER CILINDER ASSEMBLY

GE01128.01

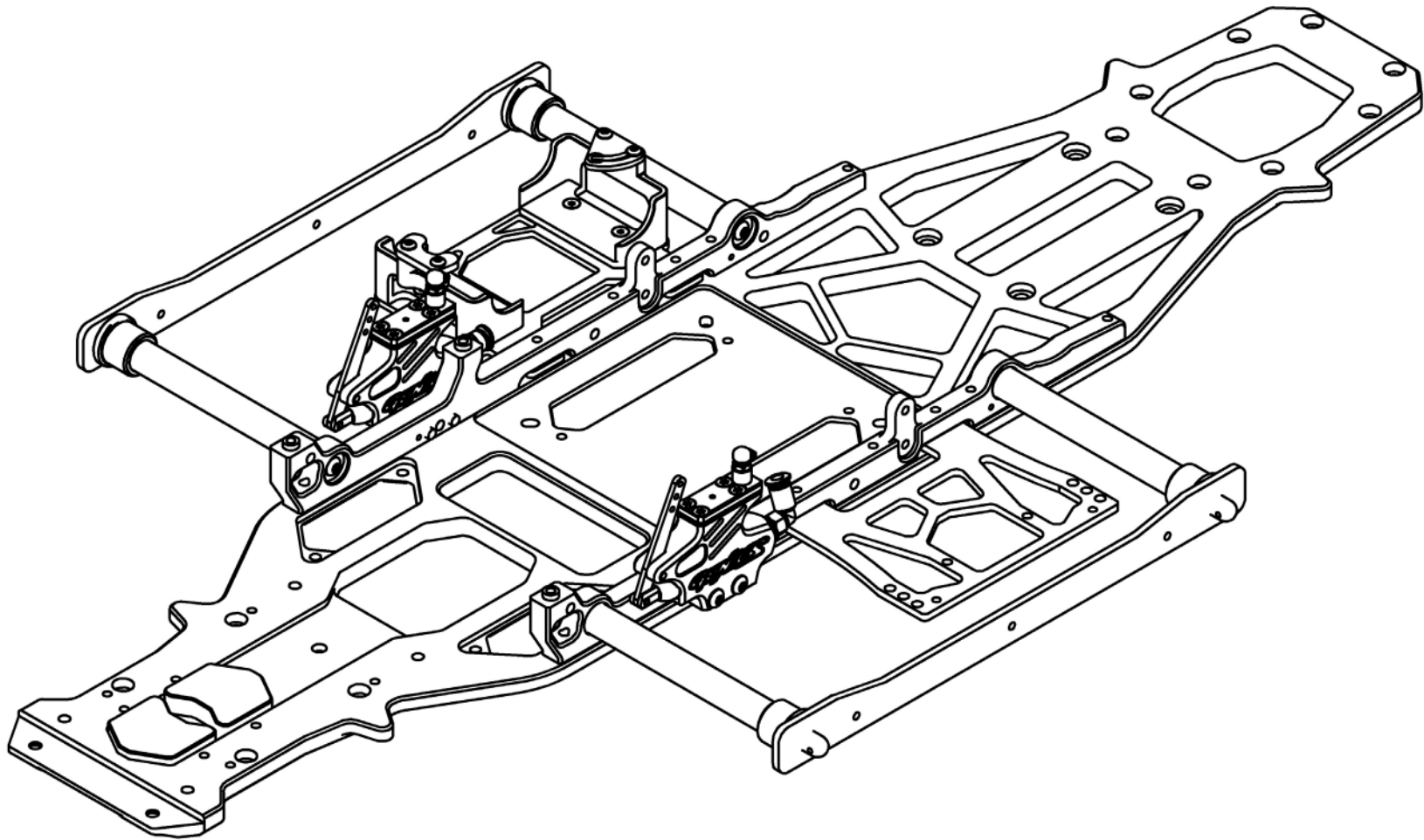


					
GE00871.01	GE00872.01	GE00872.02	GE00870.01	GE01112.00	GE00392.01

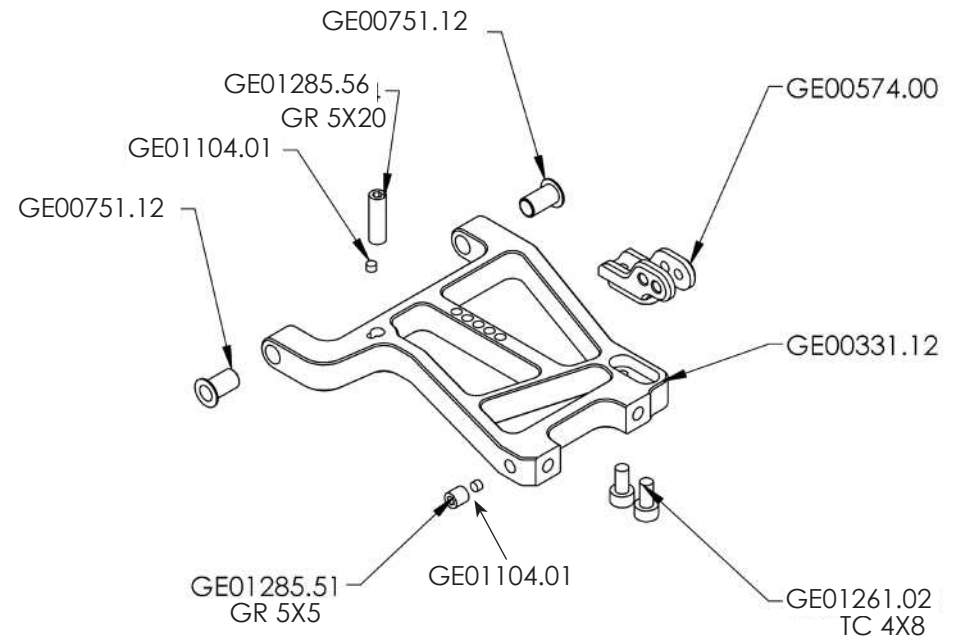
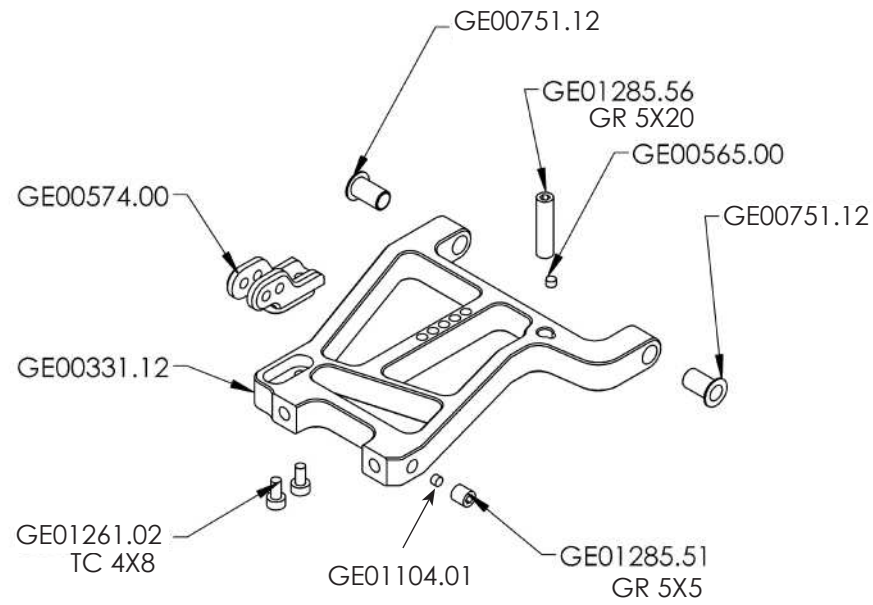
CHASSIS ASSEMBLY WITH REINFORCEMENT



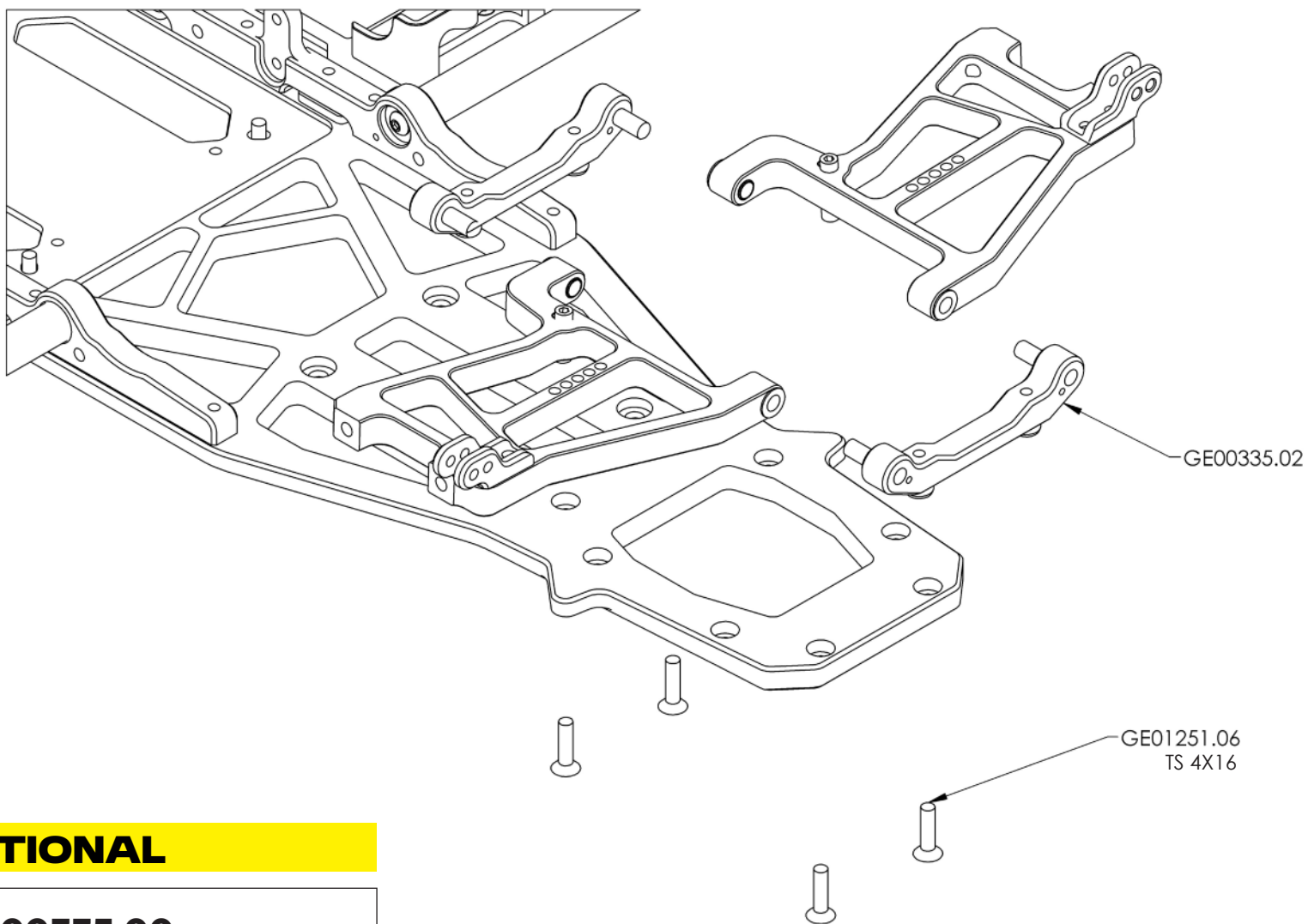
CHASSIS ASSEMBLY WITH REINFORCEMENT



LOWER SUSPENSION ARM REAR



LOWER SUSPENSION ARM REAR

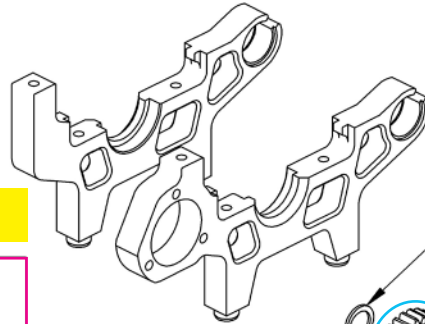
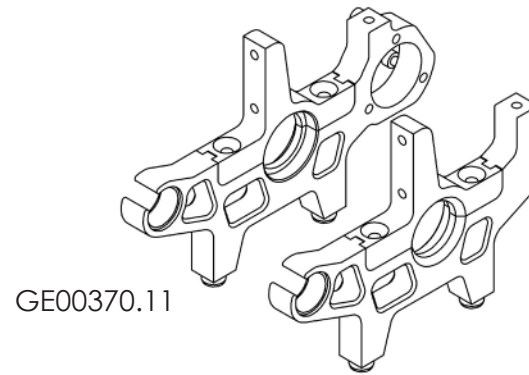
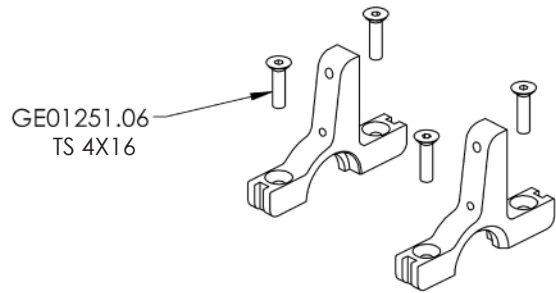


OPTIONAL



GE00335.00
ALU LOWER PLATE SET (2)

REAR ASSEMBLING

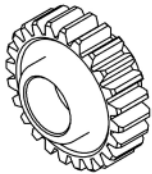


OPTIONAL



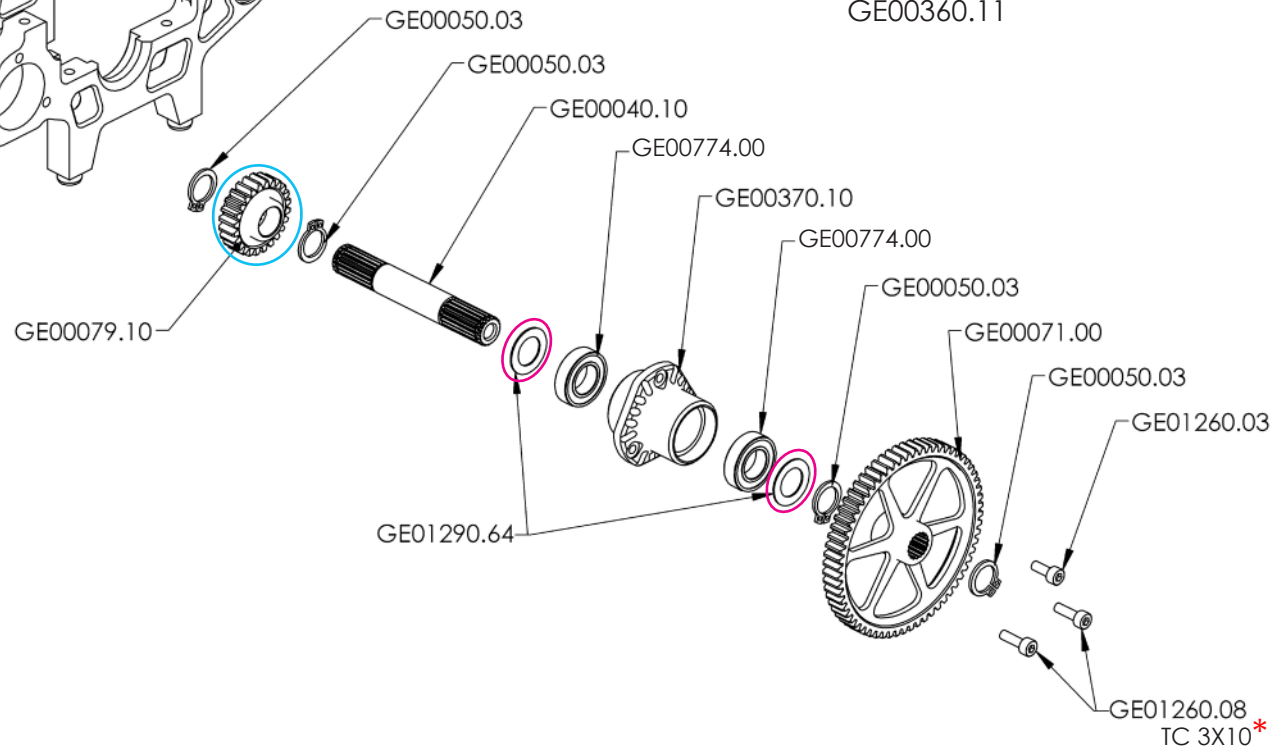
optional parts

DESCRIPTION	CODE
RASAMENTO $\varnothing 10 \times 0.1$	GE001290.60
RASAMENTO $\varnothing 10 \times 0.3$	GE001290.62
RASAMENTO $\varnothing 10 \times 0.5$	GE001290.64



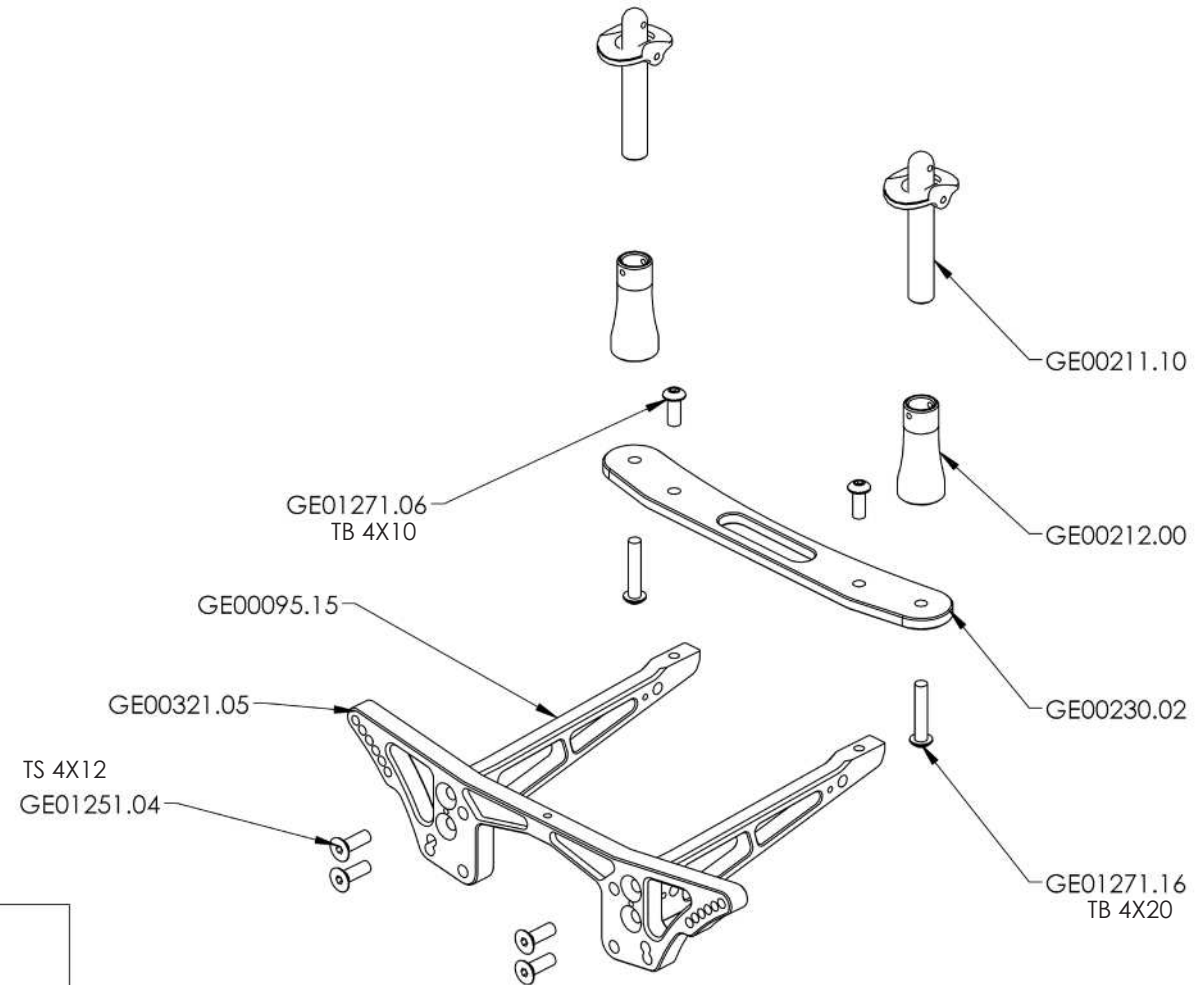
optional parts

DESCRIPTION	CODE
PIGNONE Z24 M1	GE00079.10
PIGNONE Z25 M1	GE00080.10



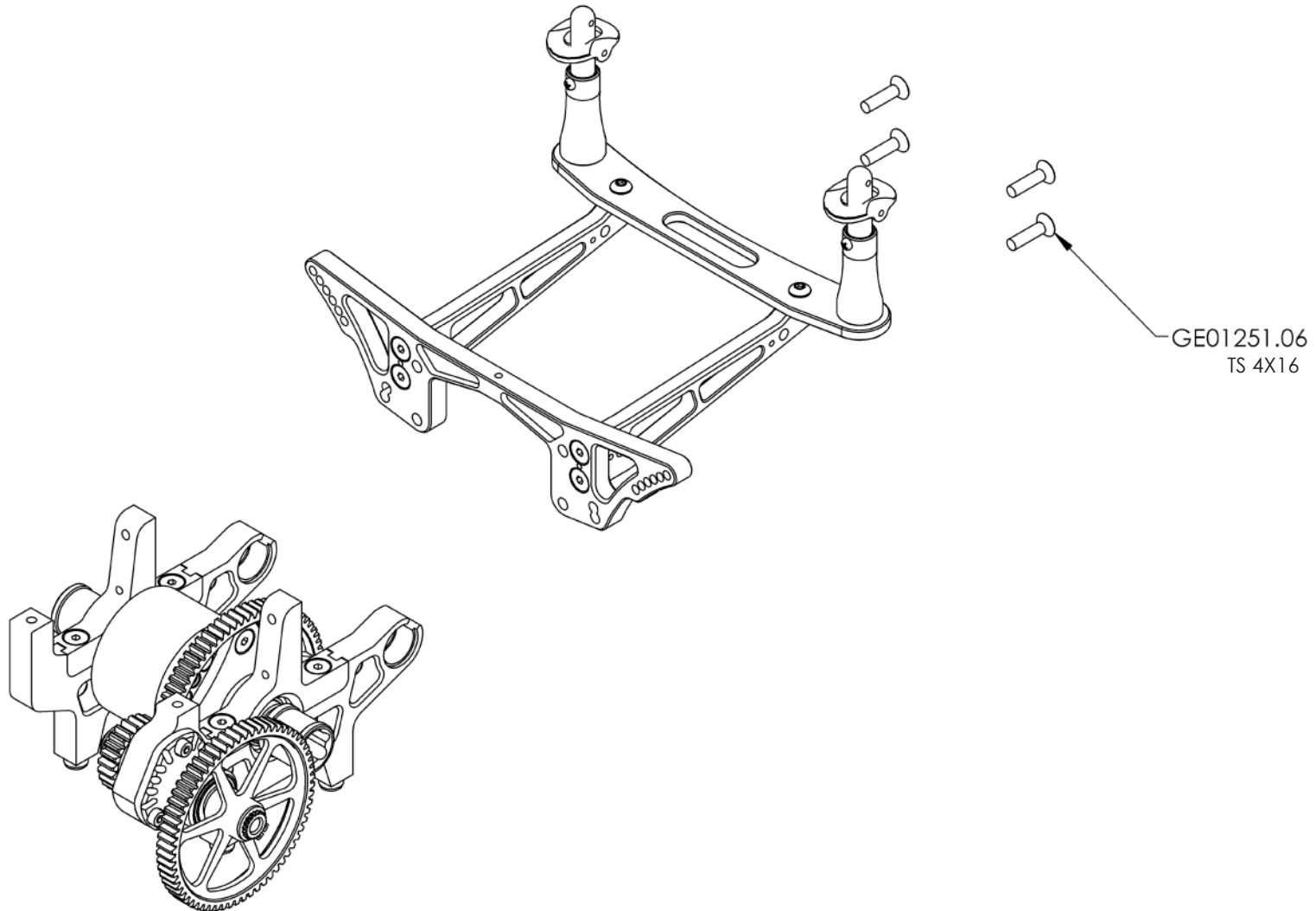
*IN THE XR5.26 S TC 3X8

REAR ASSEMBLING

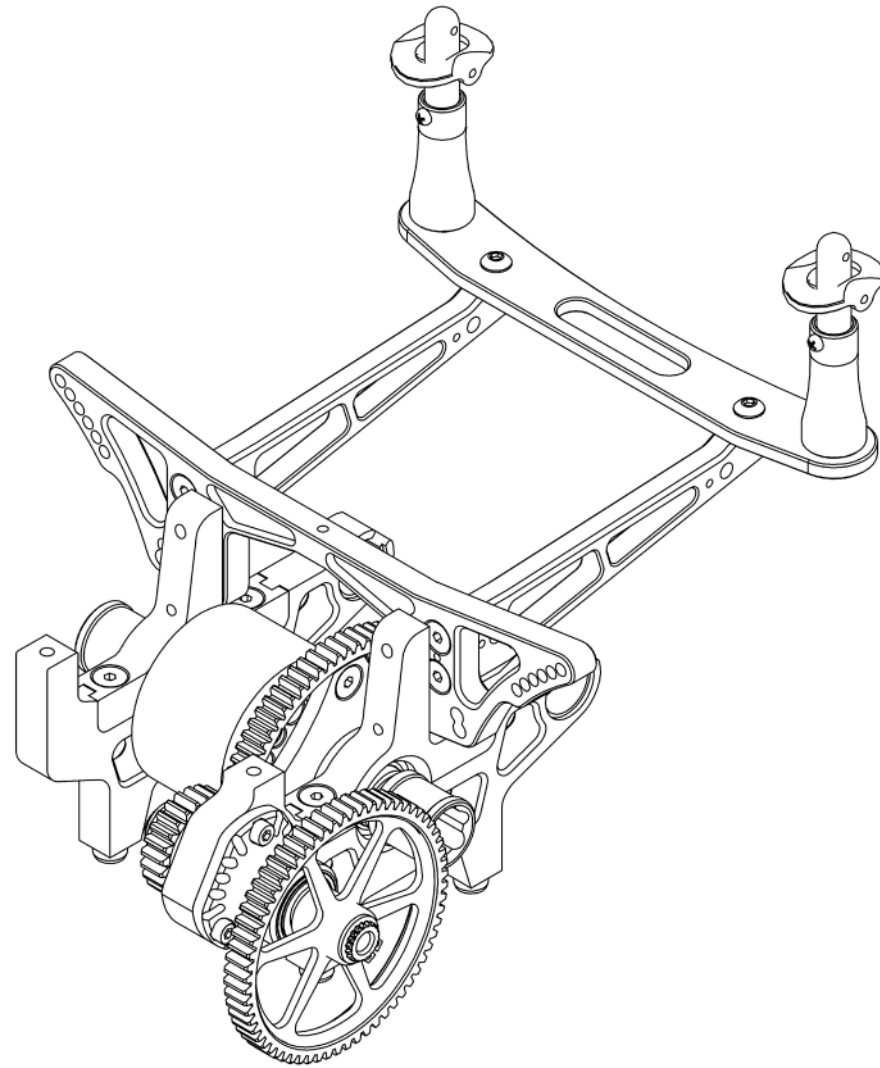


optional parts	
DESCRIPTION	CODE
SUPPORTO CARROZZERIA CARBONIO	GE00230.03

REAR ASSEMBLING

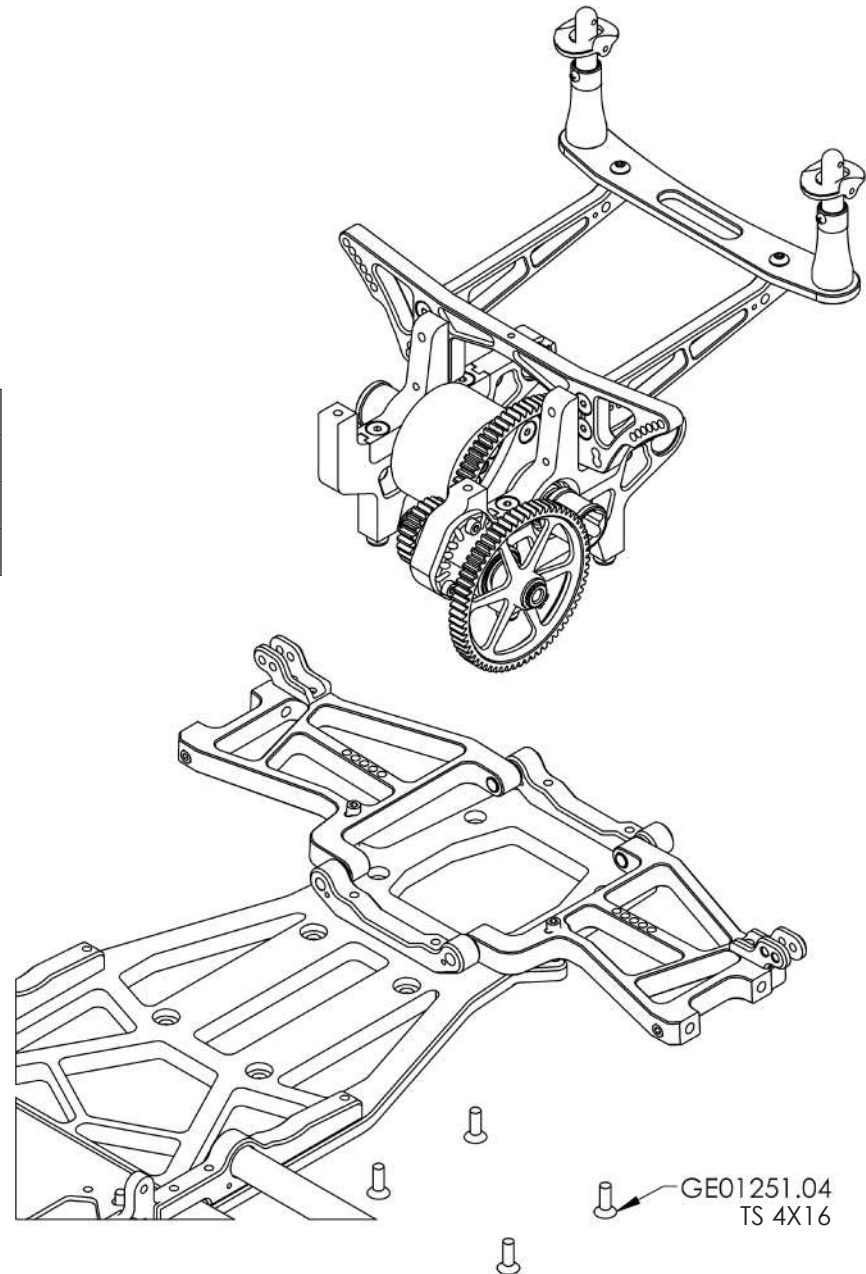


REAR ASSEMBLING

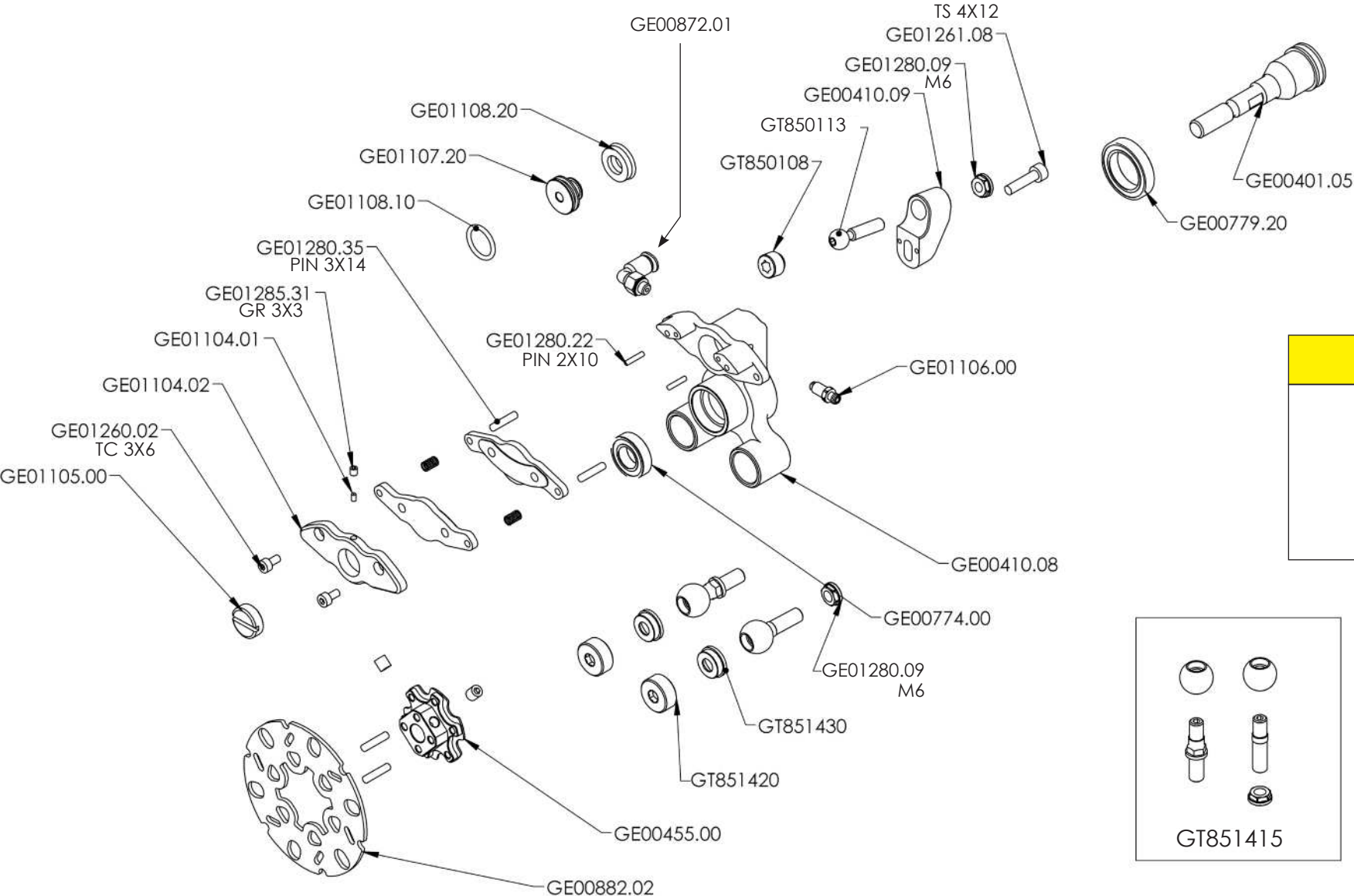


REAR ASSEMBLING

PIGNON 1	PIGNON 2	PIGNON 3	PIGNON 4	RATIO
33	63	24	72	5,727
34	63	24	72	5,559
35	63	24	72	5,400



REAR UPRIGHT

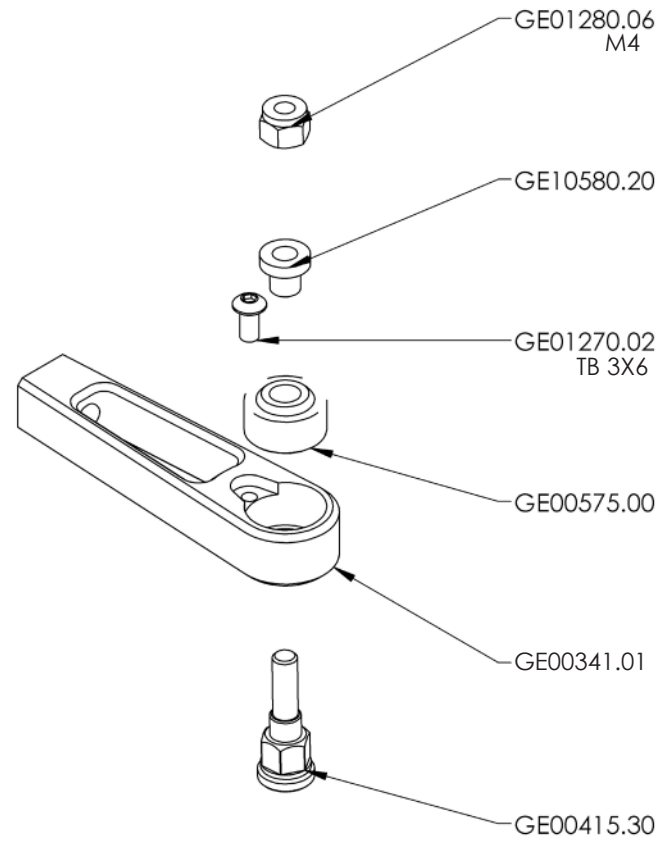


OPTIONAL

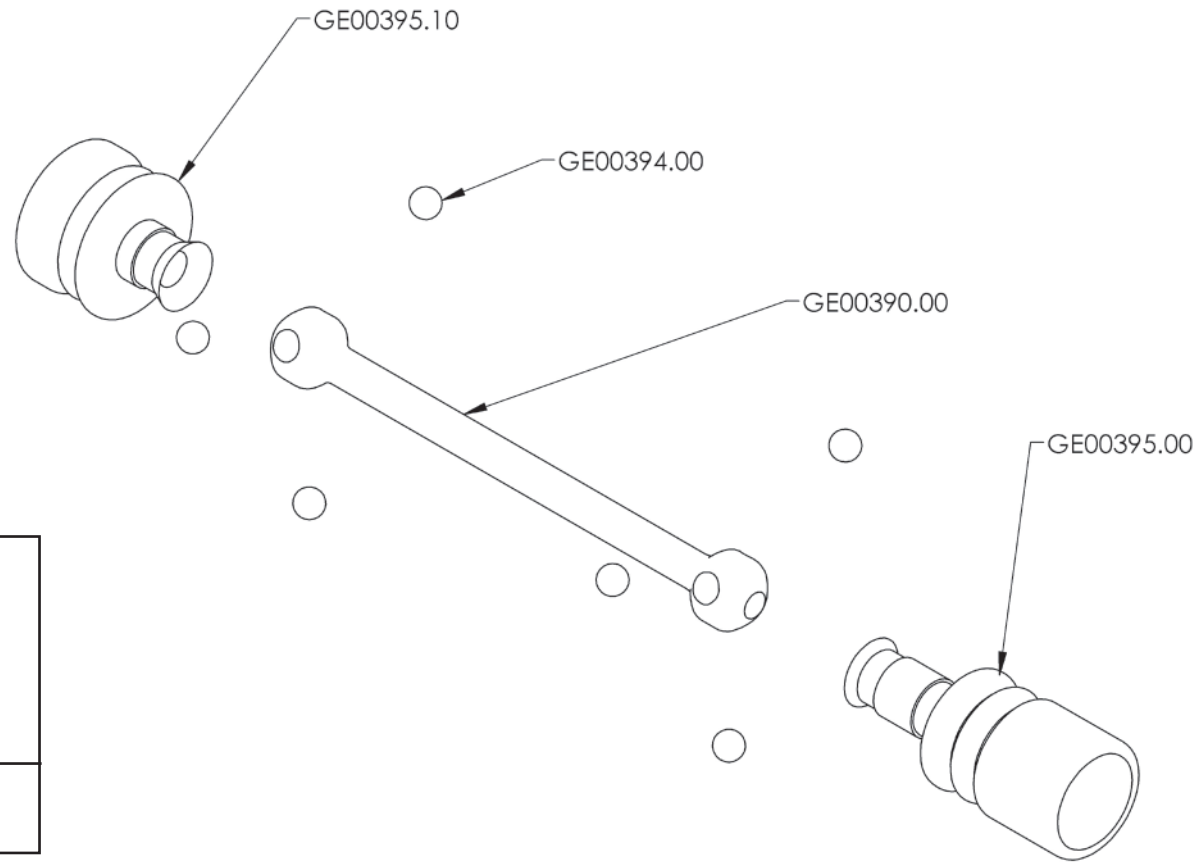
GE00730.10
AUTOLOCKING WHEEL NUT (4)

GT851415

ASSEMBLING REAR UP ARMS

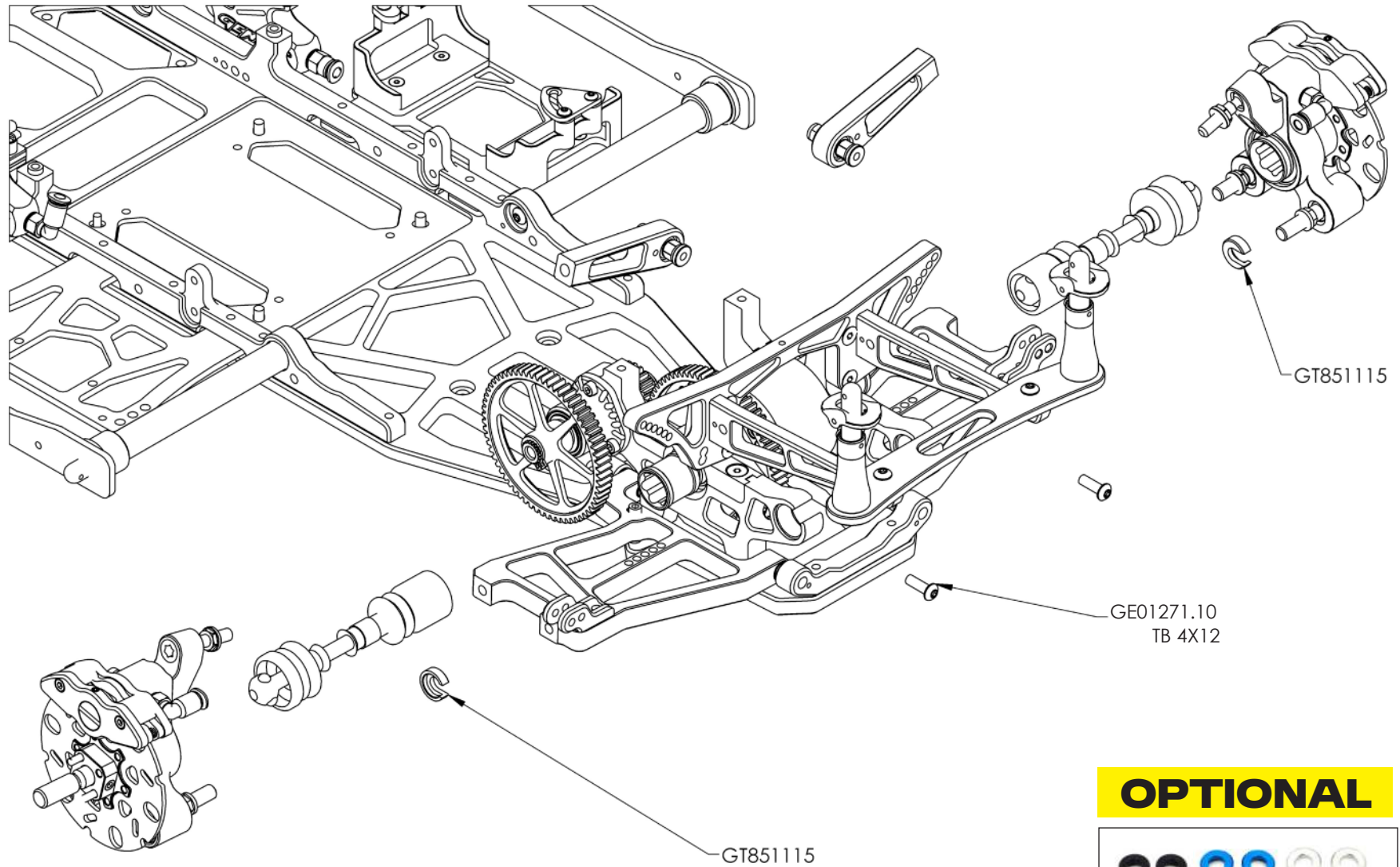


CARDAN AXEL ASSEMBLING



	
TRASMISSION GREASE	GE00310.20

REAR ASSEMBLING

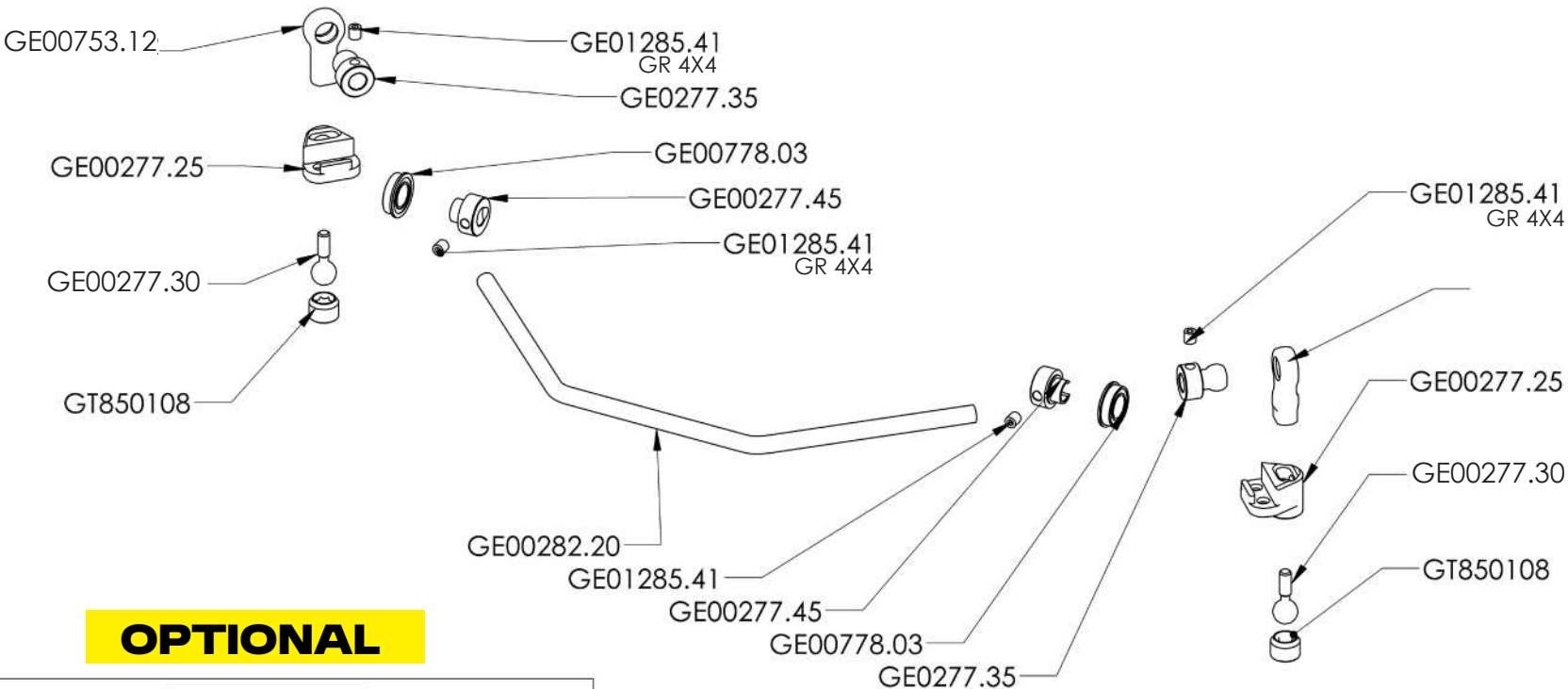


OPTIONAL

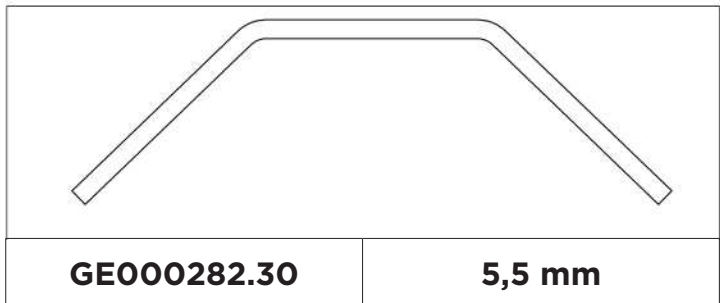


GT851115
SUSPENSION ARM ENDCAP
SPACER 1-2-3 (2+2+2)

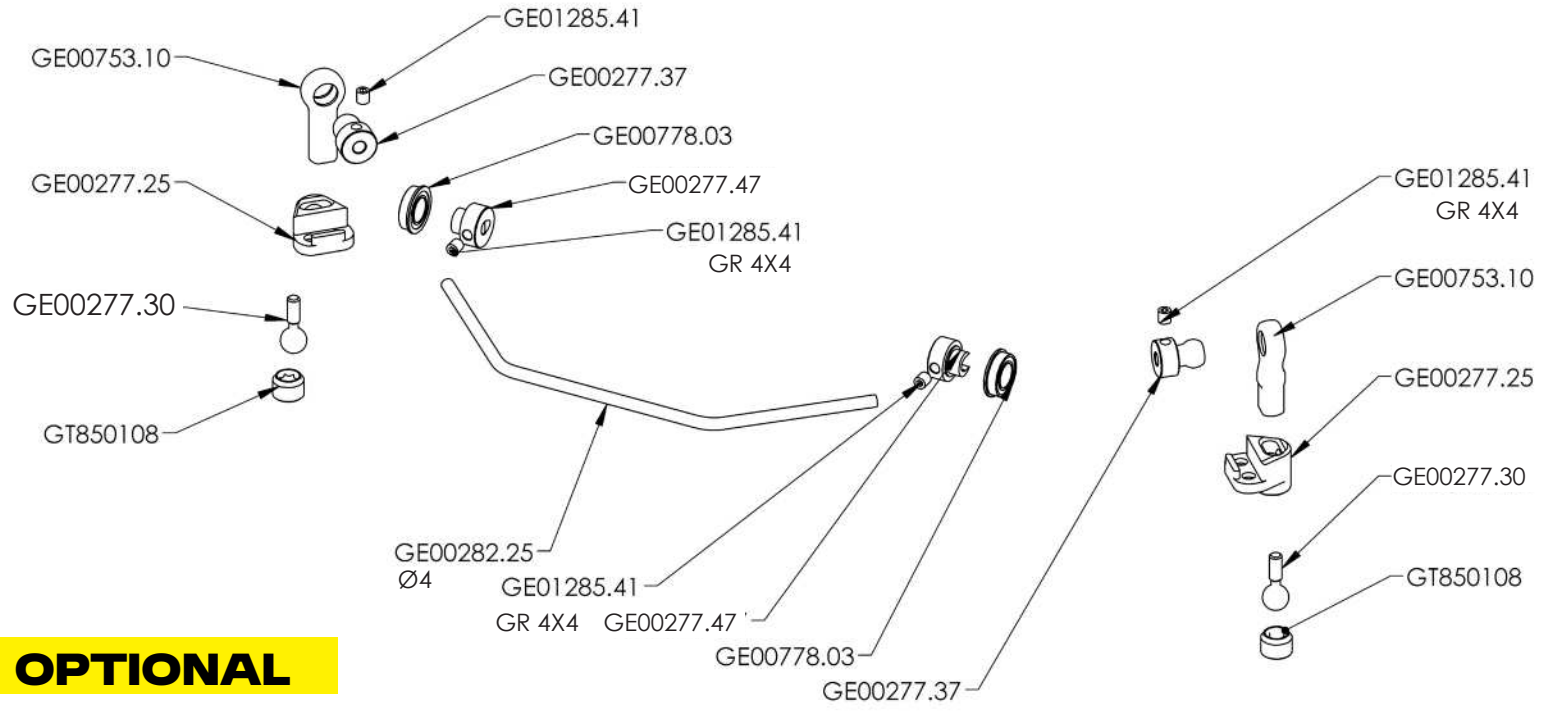
FRONT ANTI-ROLL BAR



OPTIONAL



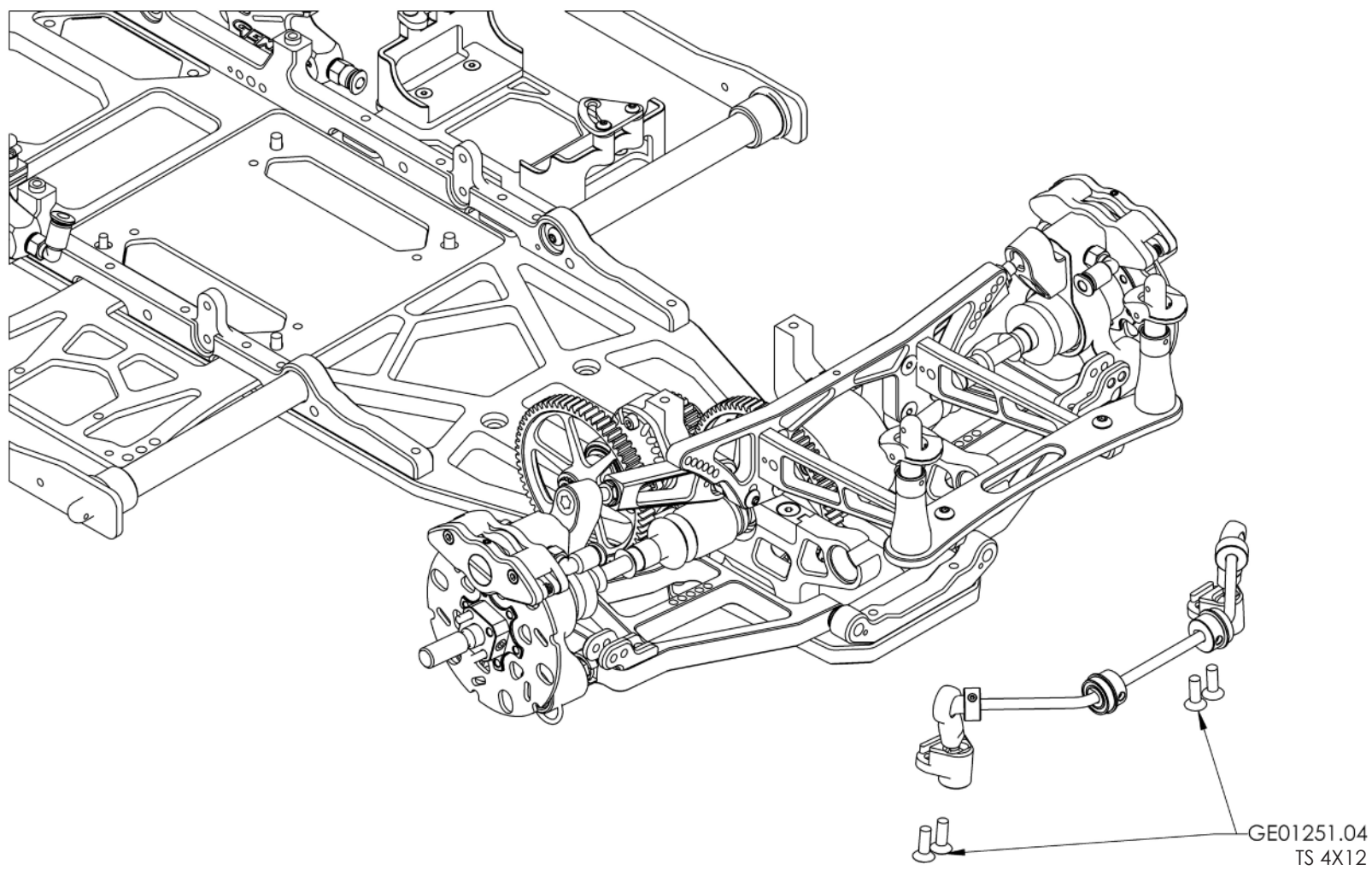
REAR ANTI-ROLL BAR



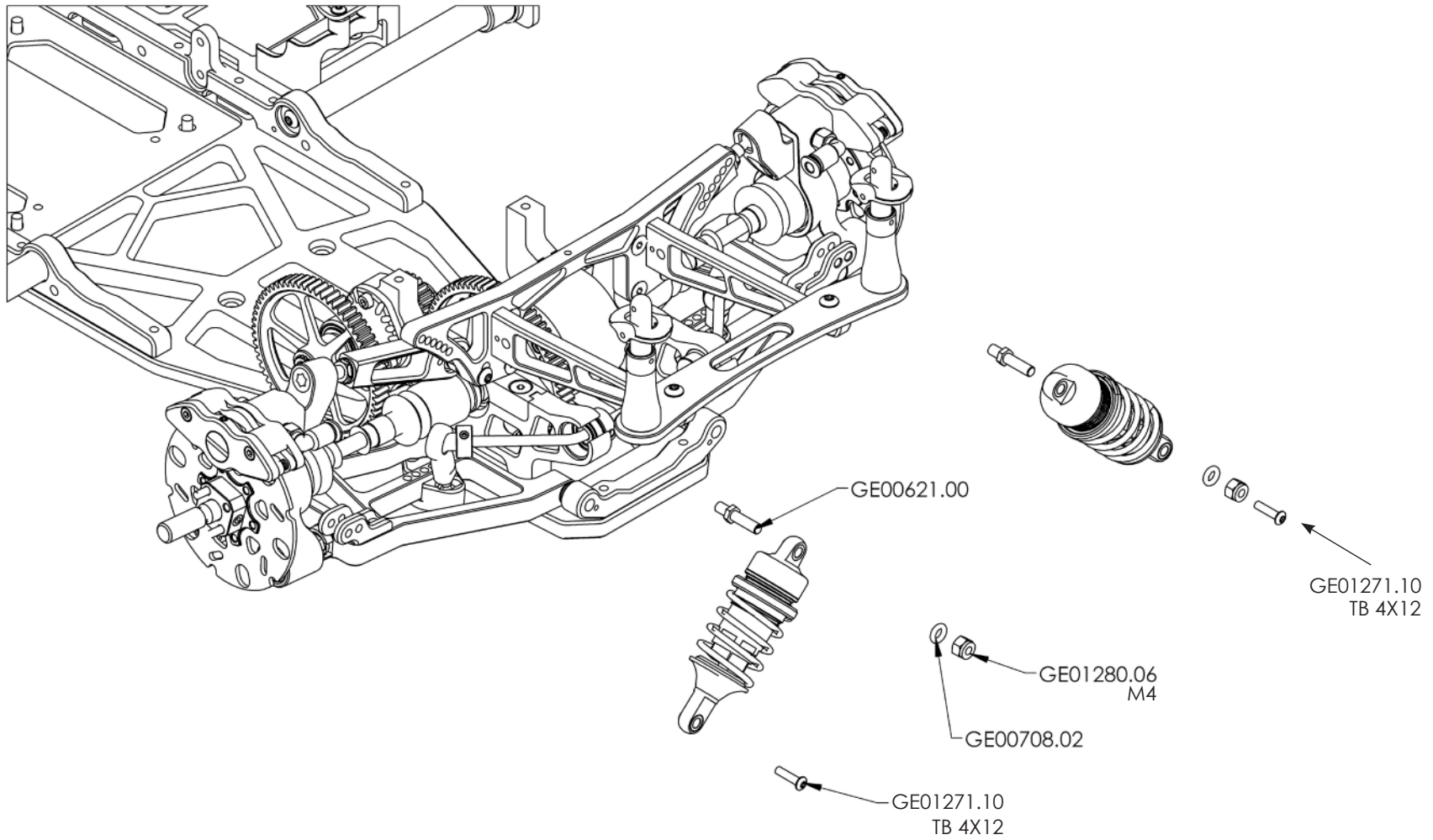
OPTIONAL

GE000282.40	4,5 mm

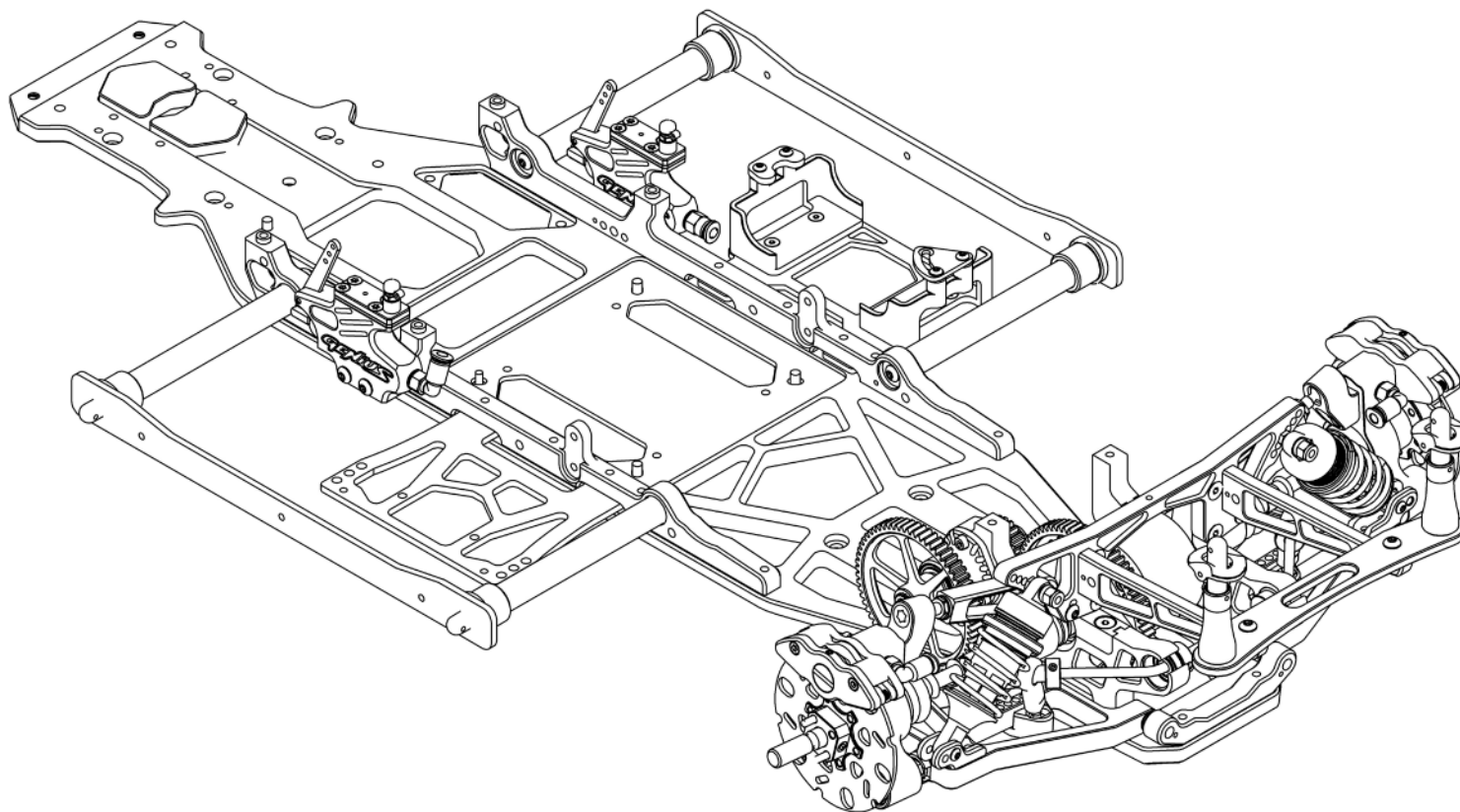
ASSEMBLING REAR ANTI-ROLL BAR



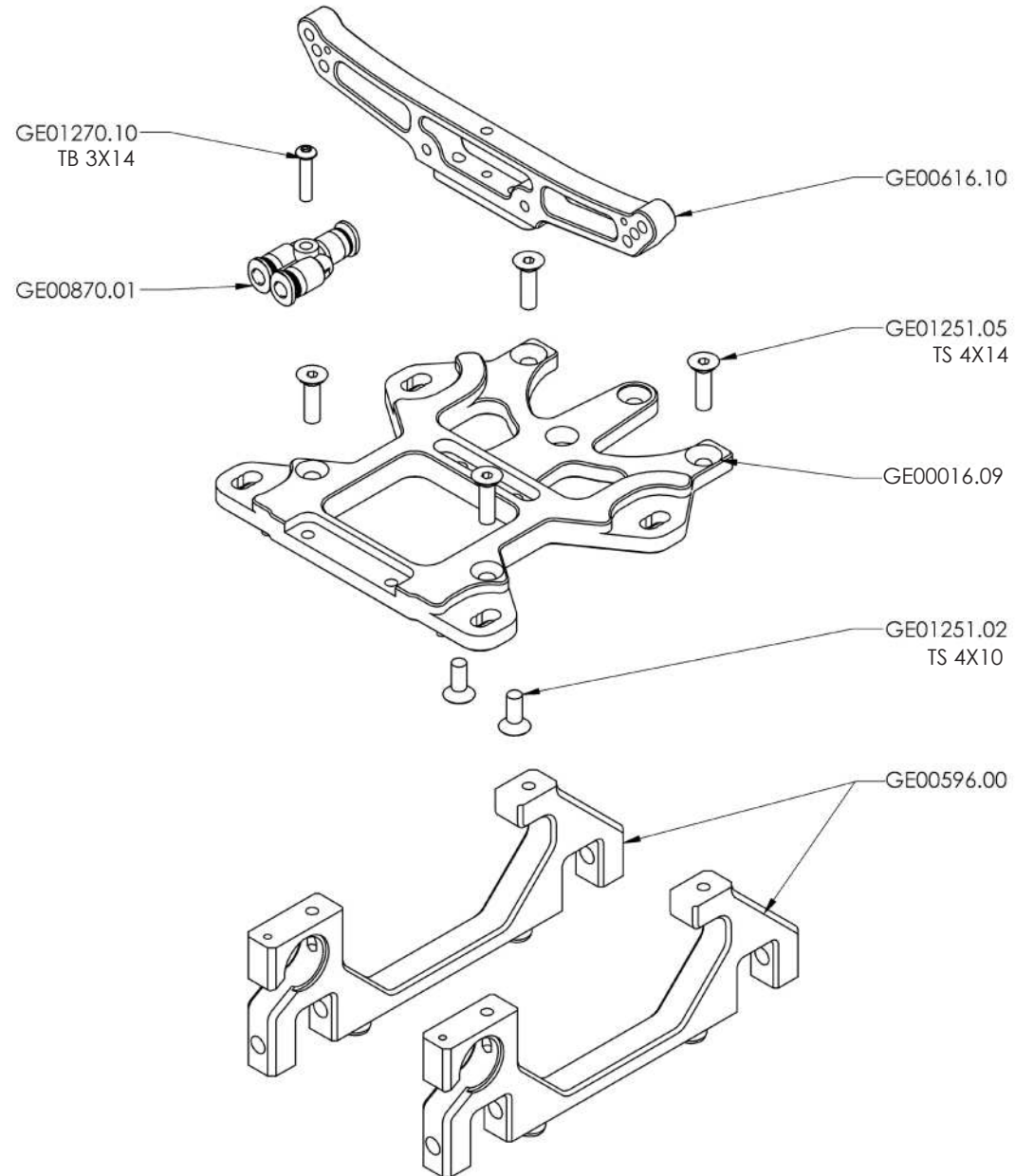
REAR SHOCKS ASSEMBLING



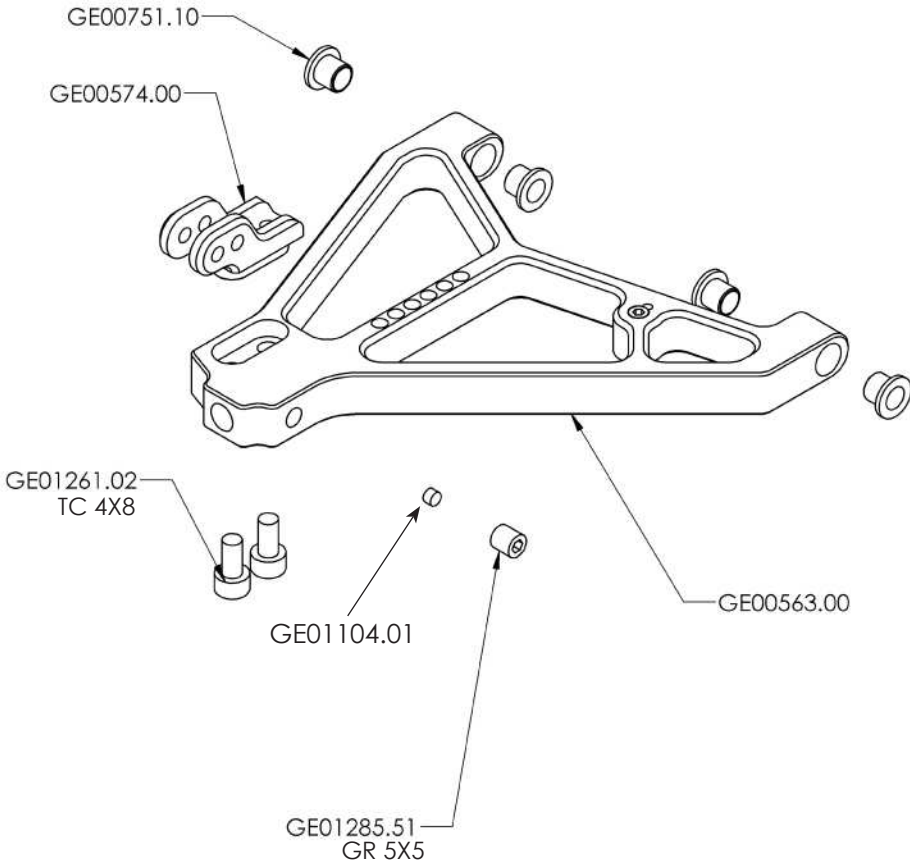
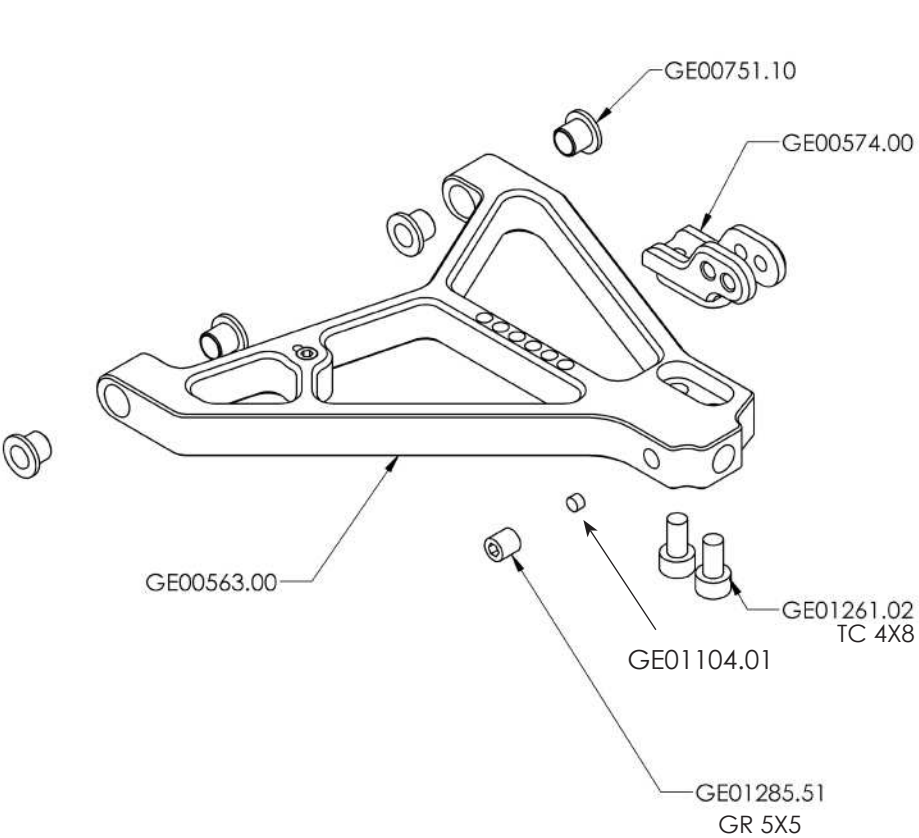
REAR SHOCKS ASSEMBLING



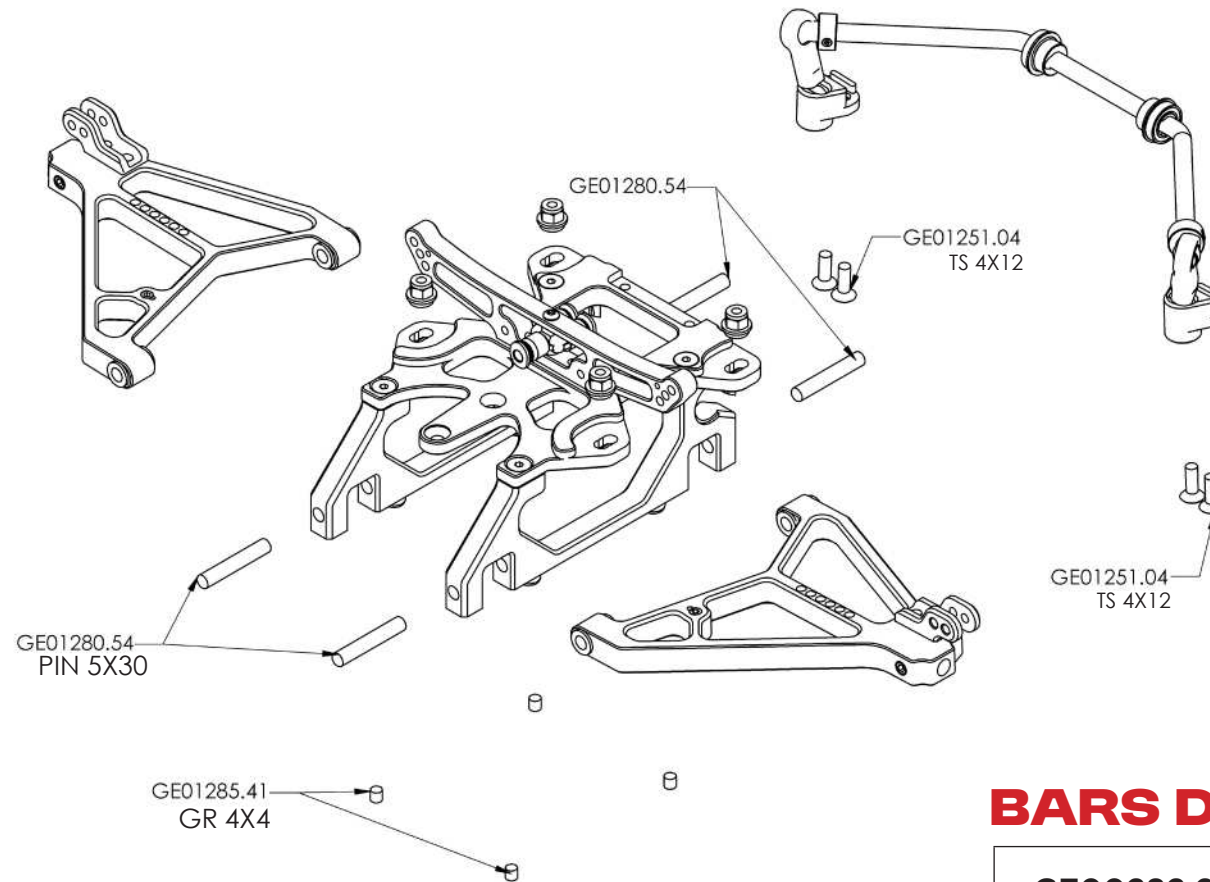
FRONT BULKHEAD



LOWER SUSPENSION ARM FRONT



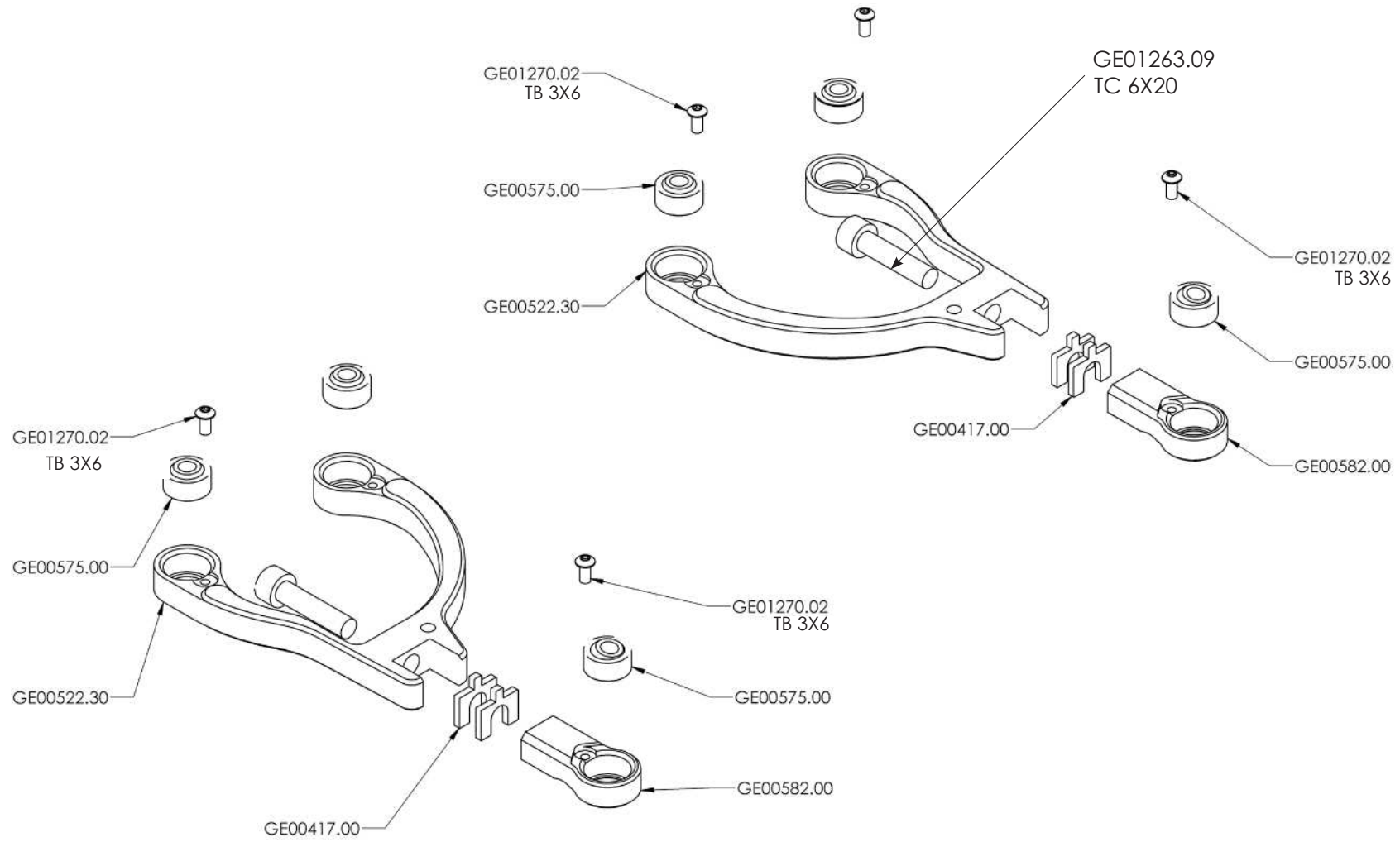
FRONT ASSEMBLING



BARS DIMENSIONS

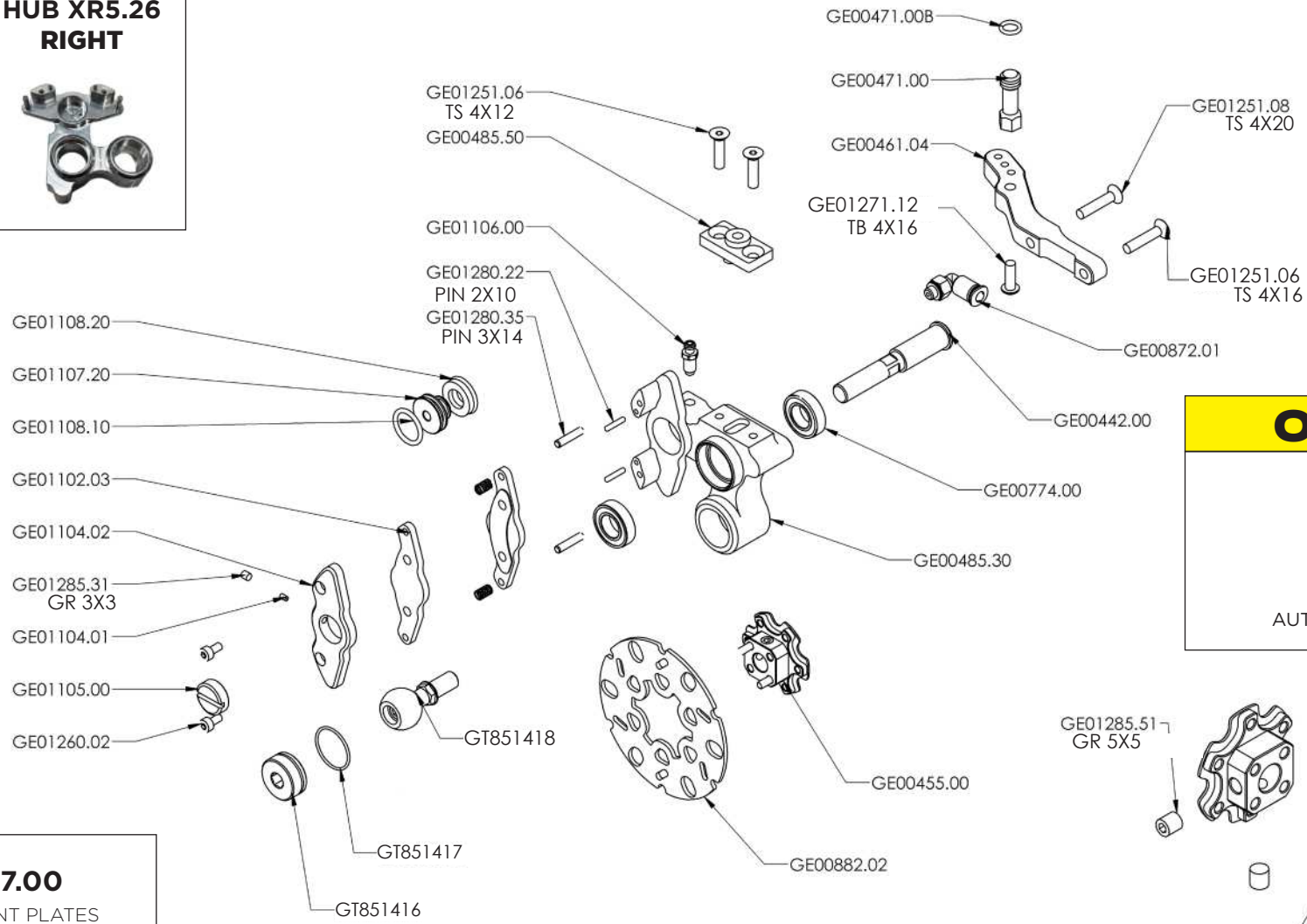
GE00282.20	Ø 6
GE00282.30	Ø 6.4
OPTIONAL	

ASSEMBLING FRONT UP ARMS



FRONT UP RIGHT

GE00485.30	GE00485.40
HUB XR5.26 RIGHT 	HUB XR5.26 RIGHT 



OPTIONAL

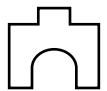
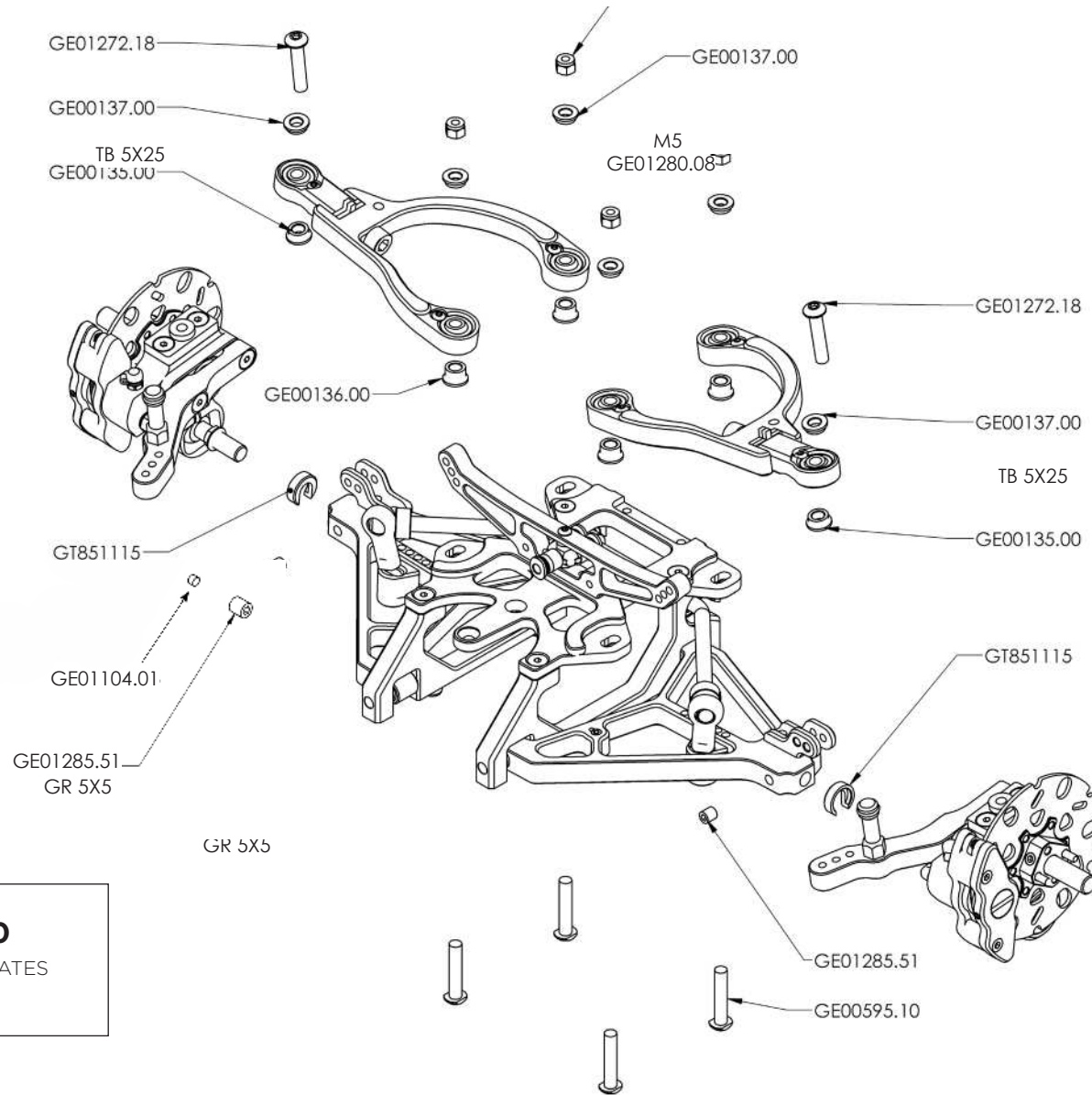


GE00730.10
AUTOLOCKING WHEEL NUT (4)



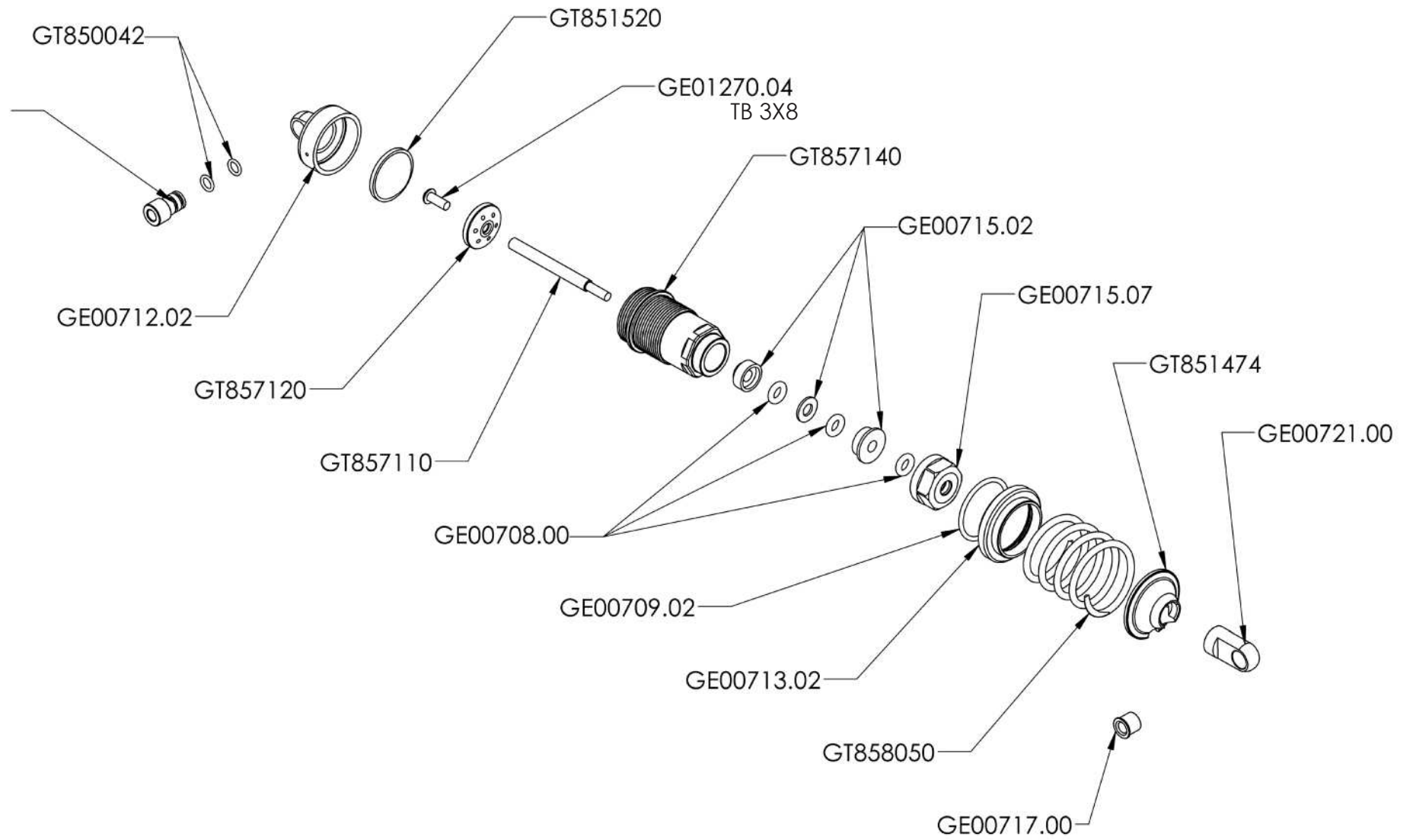
GE00417.00
ADJUSTMENT PLATES
0.5, 1.0, 2.0MM (6)

FRONT ASSEMBLING



GE00417.00
ADJUSTMENT PLATES
0.5, 1.0, 2.0MM (6)

SHOCK ASSEMBLING



SHOCK ASSEMBLING



SPRING TABLE AND KITS

GT8 AND XR4.22 - XR5.26

1:5 F1 & XR - XR4 EVO

LINEAR

PROGRESSIVE

BICONICAL

SOFT

SOFT

ORANGE

GT858065



YELLOW

GT858060



RED

GT858055



WHITE

GT858050



DARK BLUE

GT858070



BLUE

GT858045



DARK GREY

GT858075



BLACK

GT858040



GOLD

GT858080



PINK

GT858082



PURPLE

GT858085



SILVER

GT858090



OCRA

GT858095



GREEN FLUO

GT858100



YELLOW

GE00766.00



BLACK

GE00768.00



SILVER

GE00759.01



GREEN FLUO

GE00769.04



ORANGE

GE00769.03



LIGHT BLUE

GE00767.00



GREEN

GE00760.01



GOLD

GE00761.01



RED

GE00769.00



WHITE

GE00769.01



PINK

GE00769.02



HARD

HARD

KIT SPRINGS



GT858000
SHOCK SPRINGS SET (10)



GT858001
SHOCK SPRINGS SET
KIT LINEAR (10)



GT858002
SHOCK SPRINGS SET
KIT PROGRESSIVE (10)



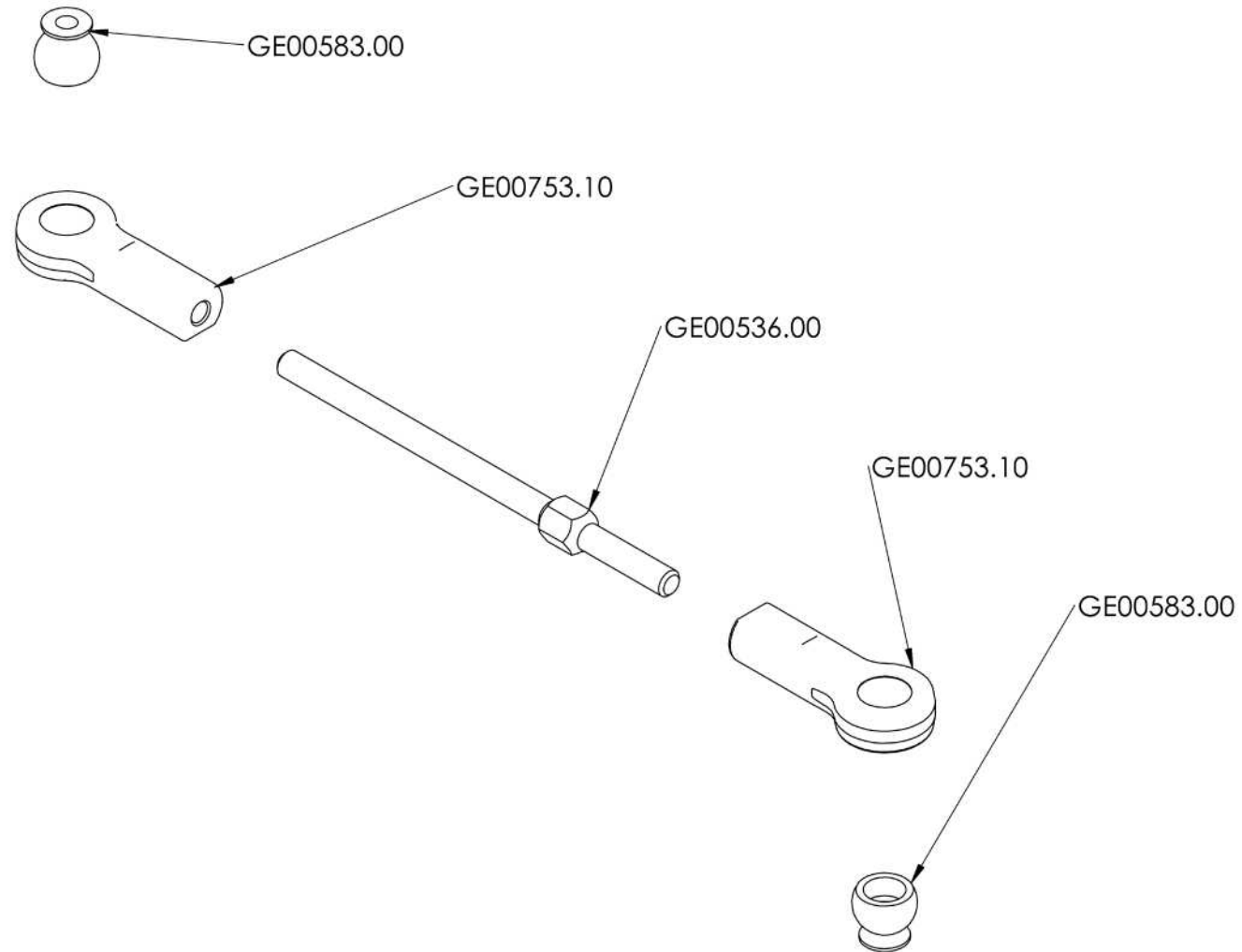
GE00769.50
PROGRESSIVE **BICONICAL**
SPRING KIT



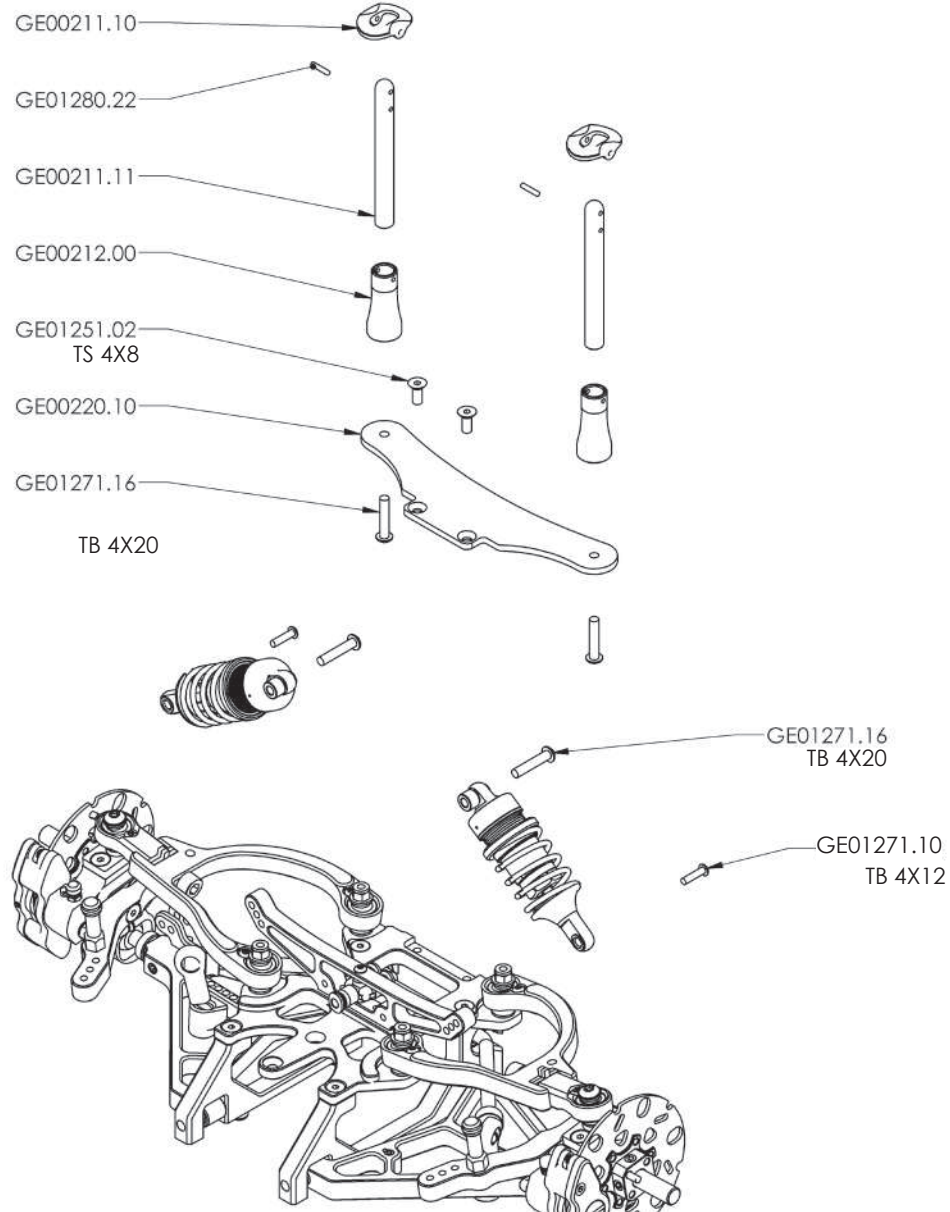
SHOP NOW

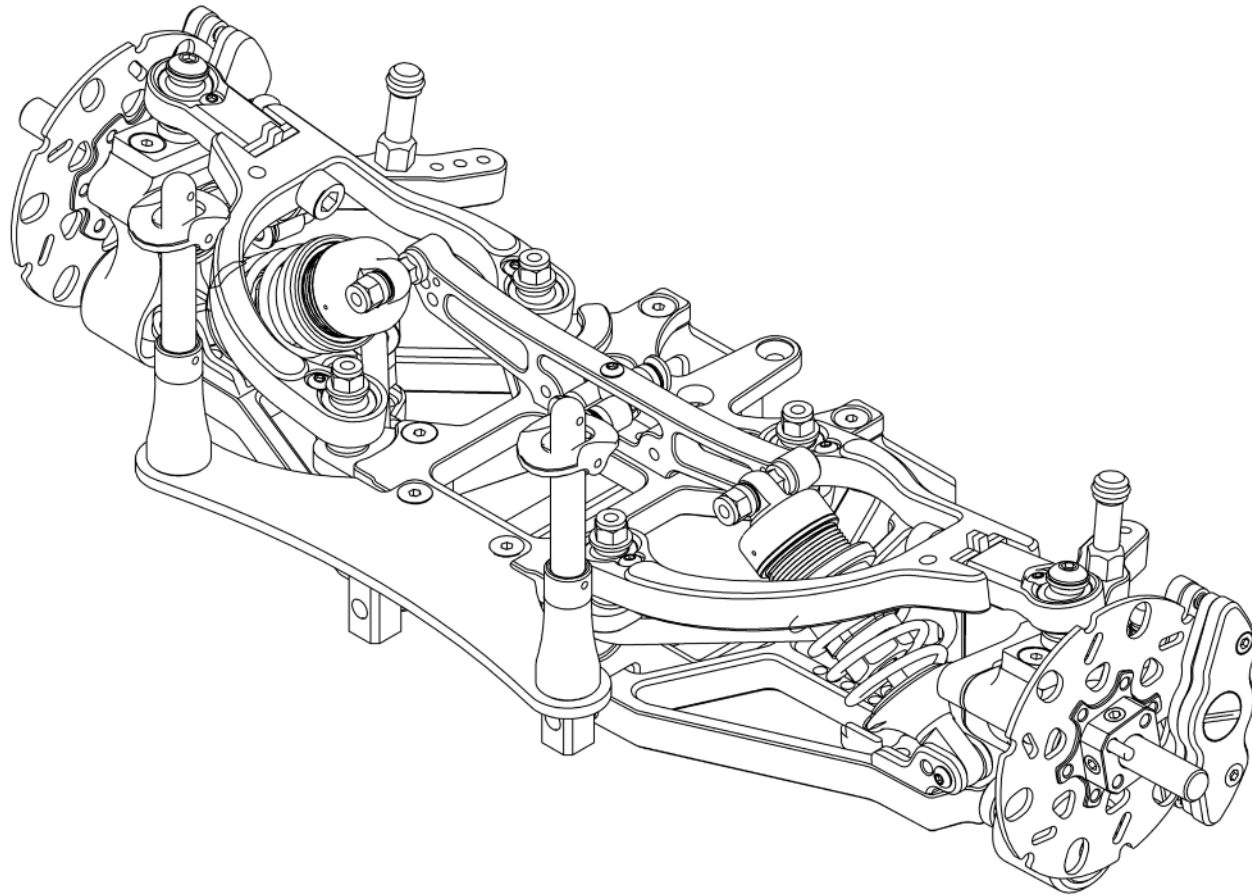
WWW.MODELTEKSHOP.COM

STEERING ARMS

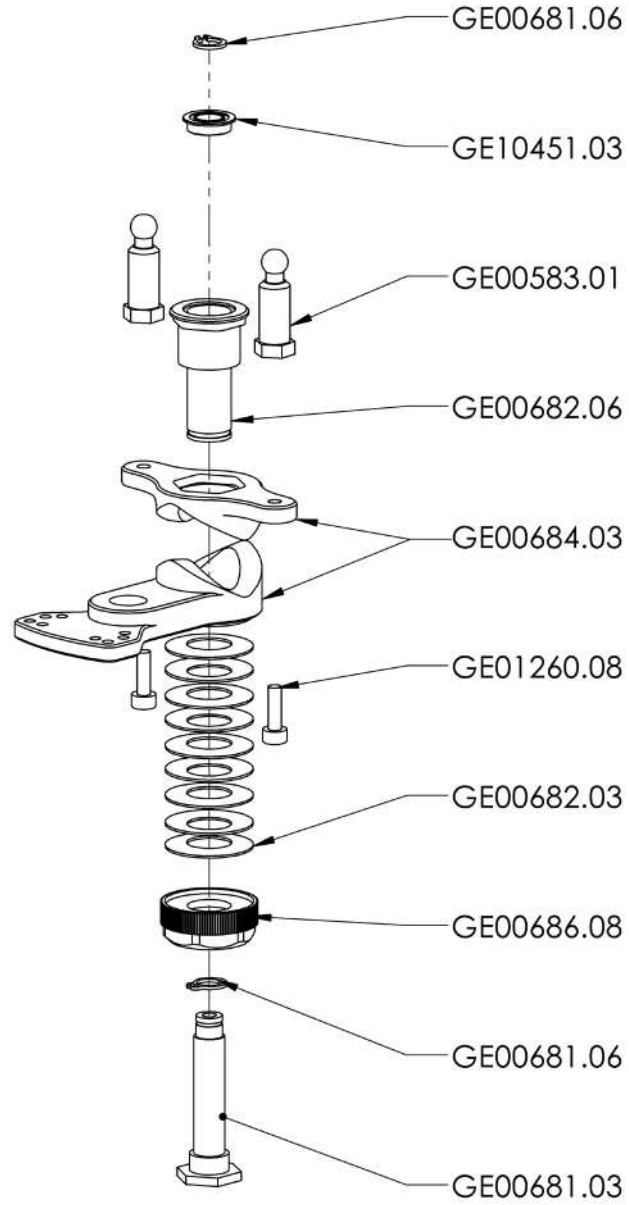


FRONT BODY MOUNT AND SHOCKS





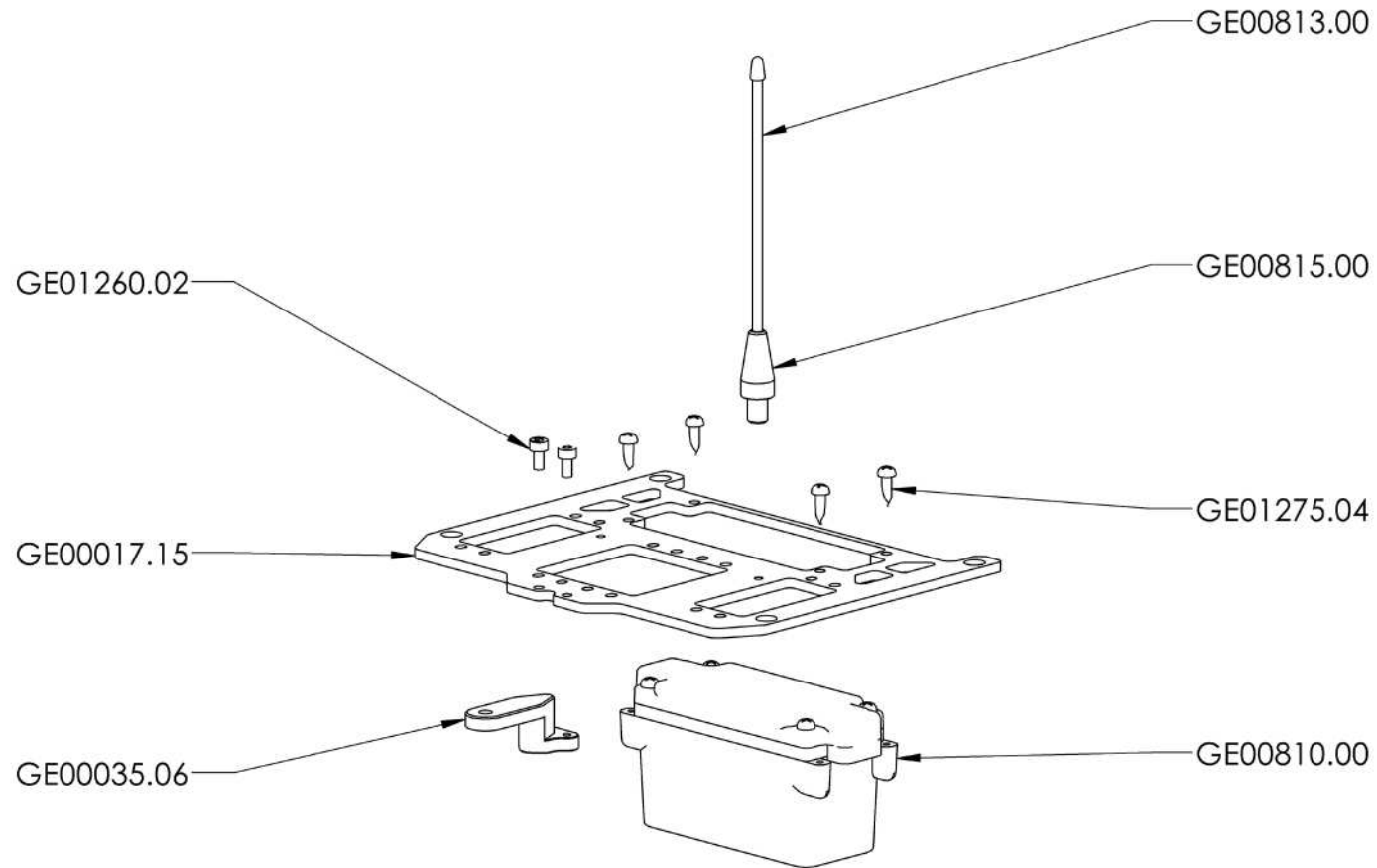
SERVO SAVER ASSEMBLING



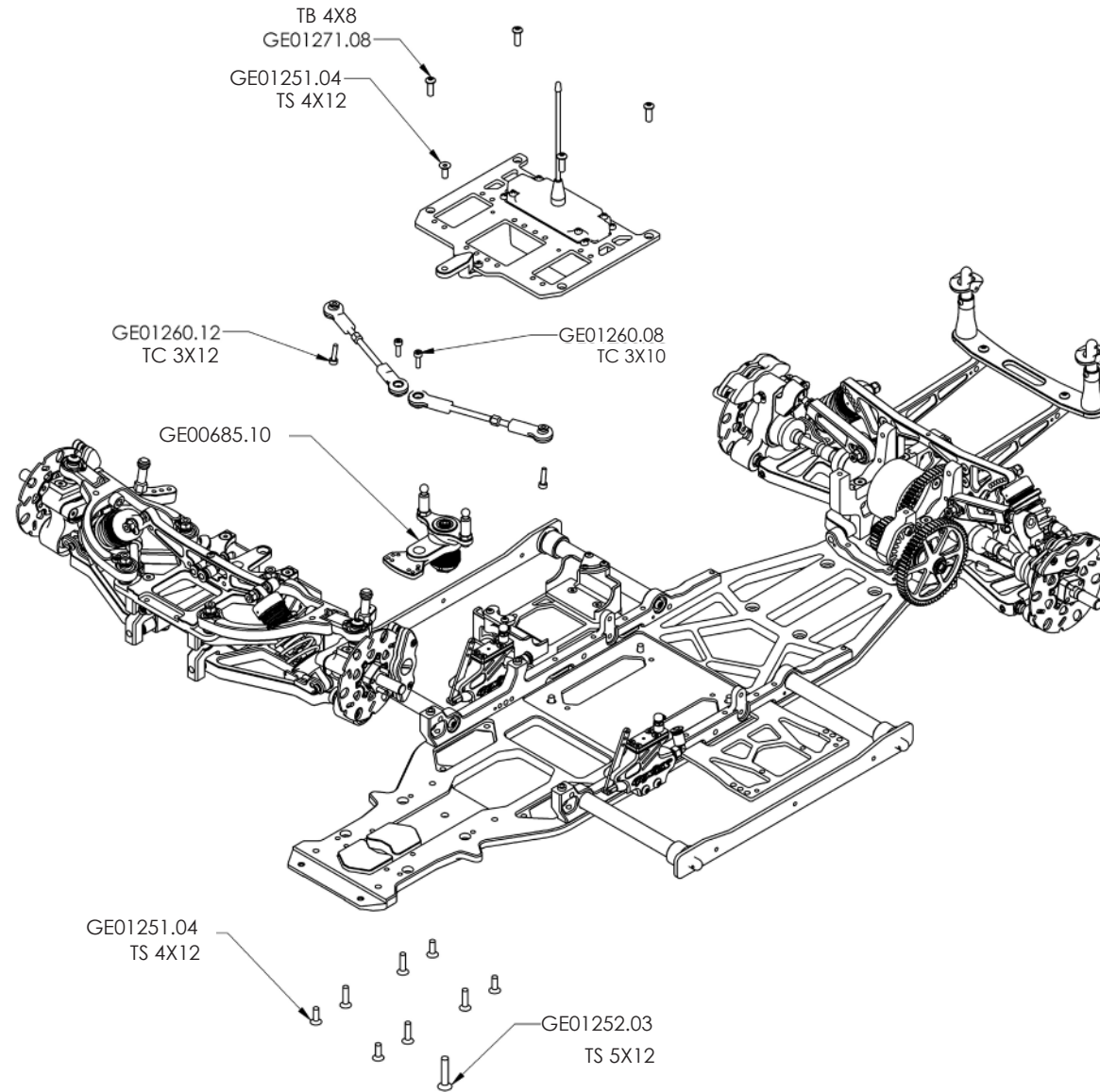
SERVO SAVER ASSEMBLING



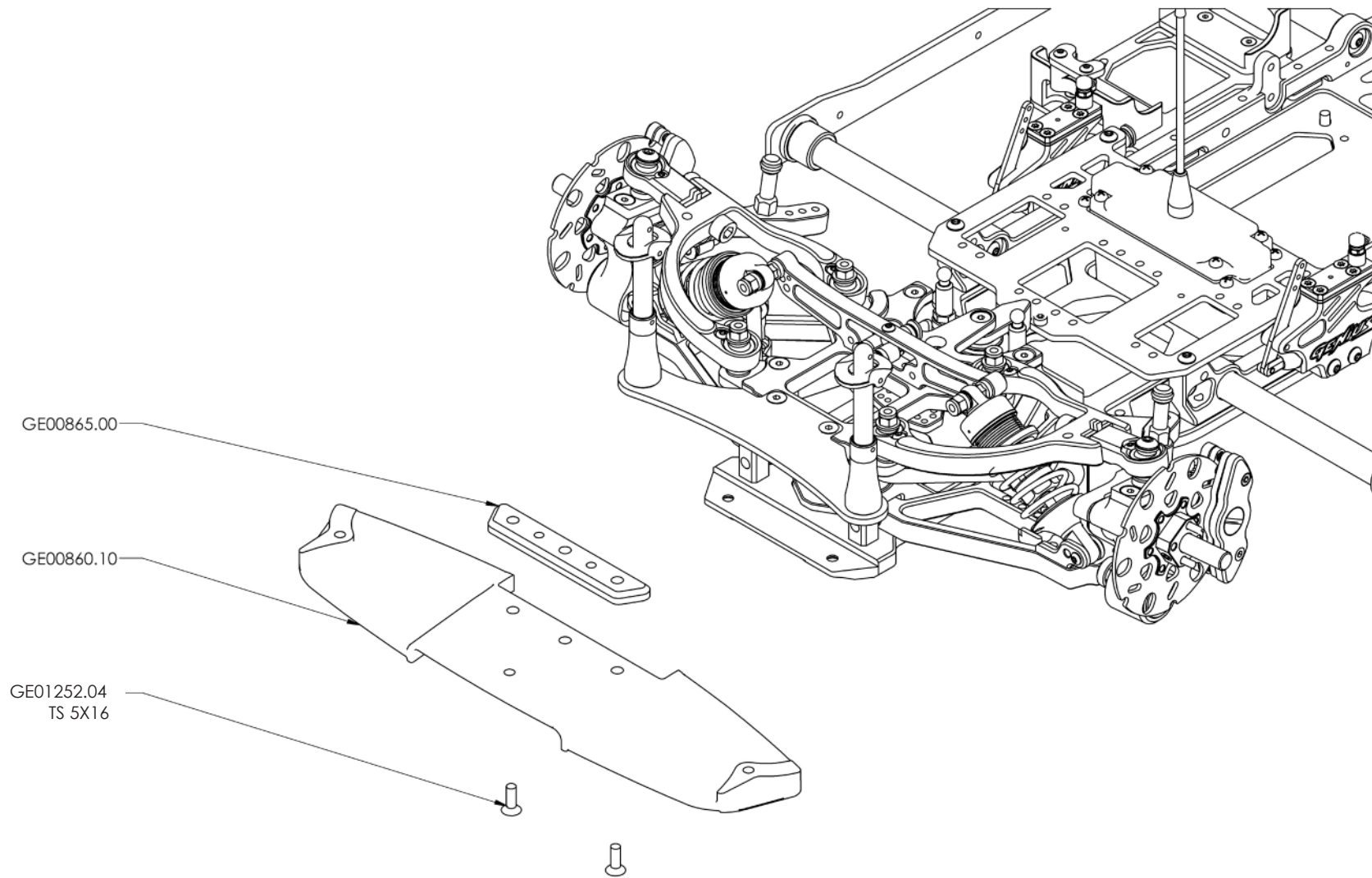
RADIO PLATE MOUNT



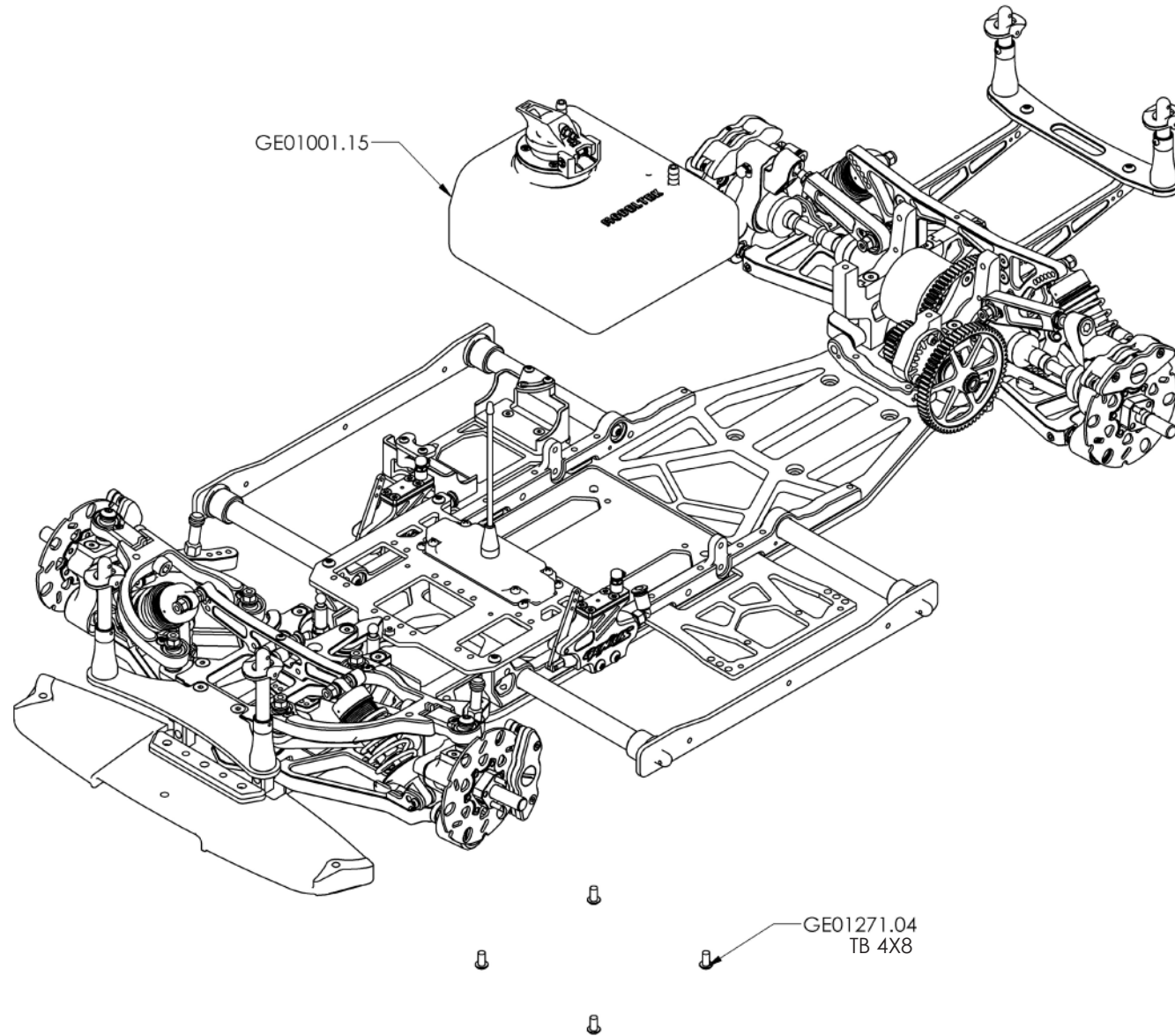
RADIO PLATE AND FRONT MOUNT



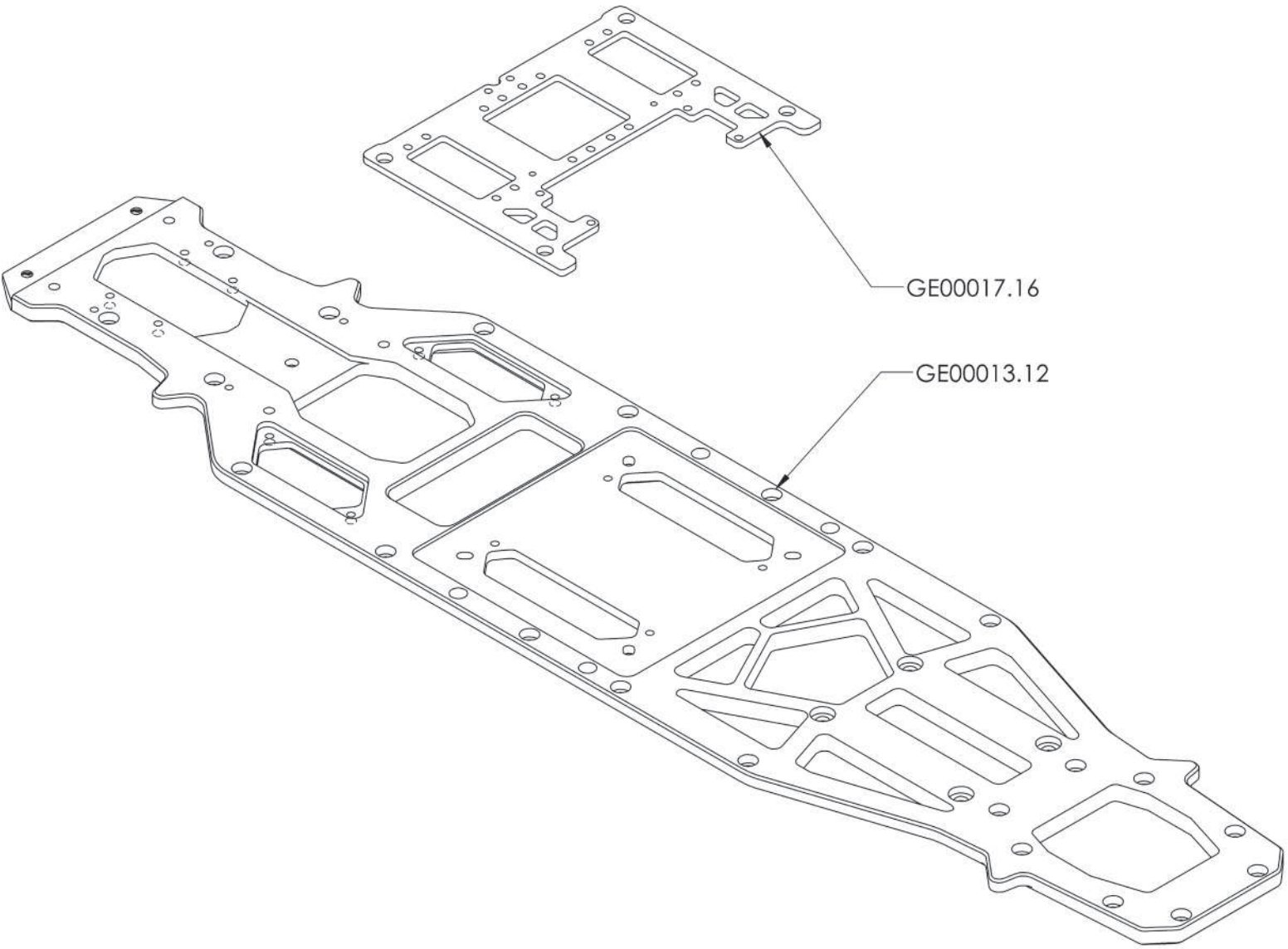
FRONT BAUMPER ASSEMBLING



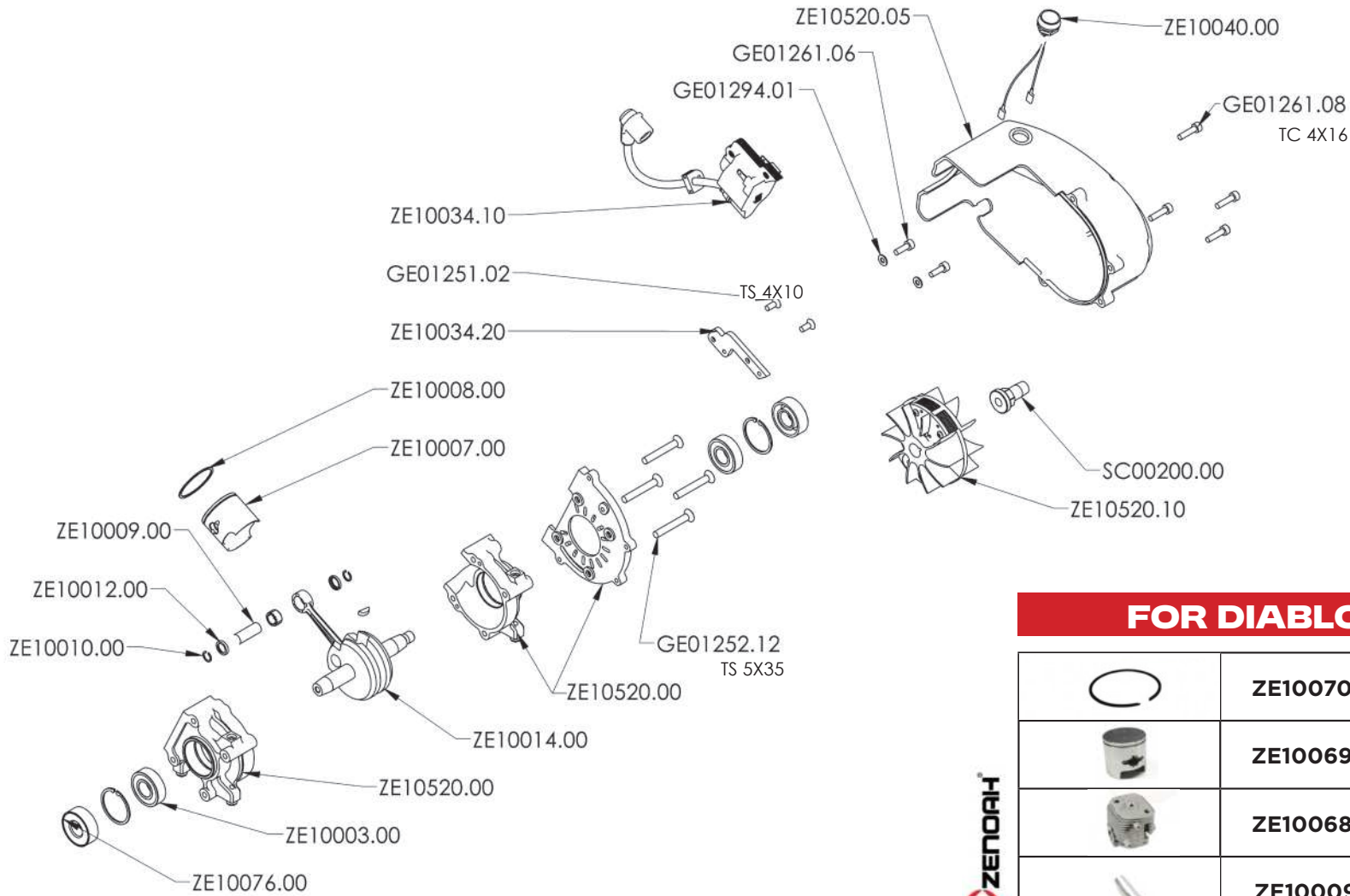
FUEL TANK ASSEMBLING



XR5.26 D 500mm







DIABLO R ASSEMBLING

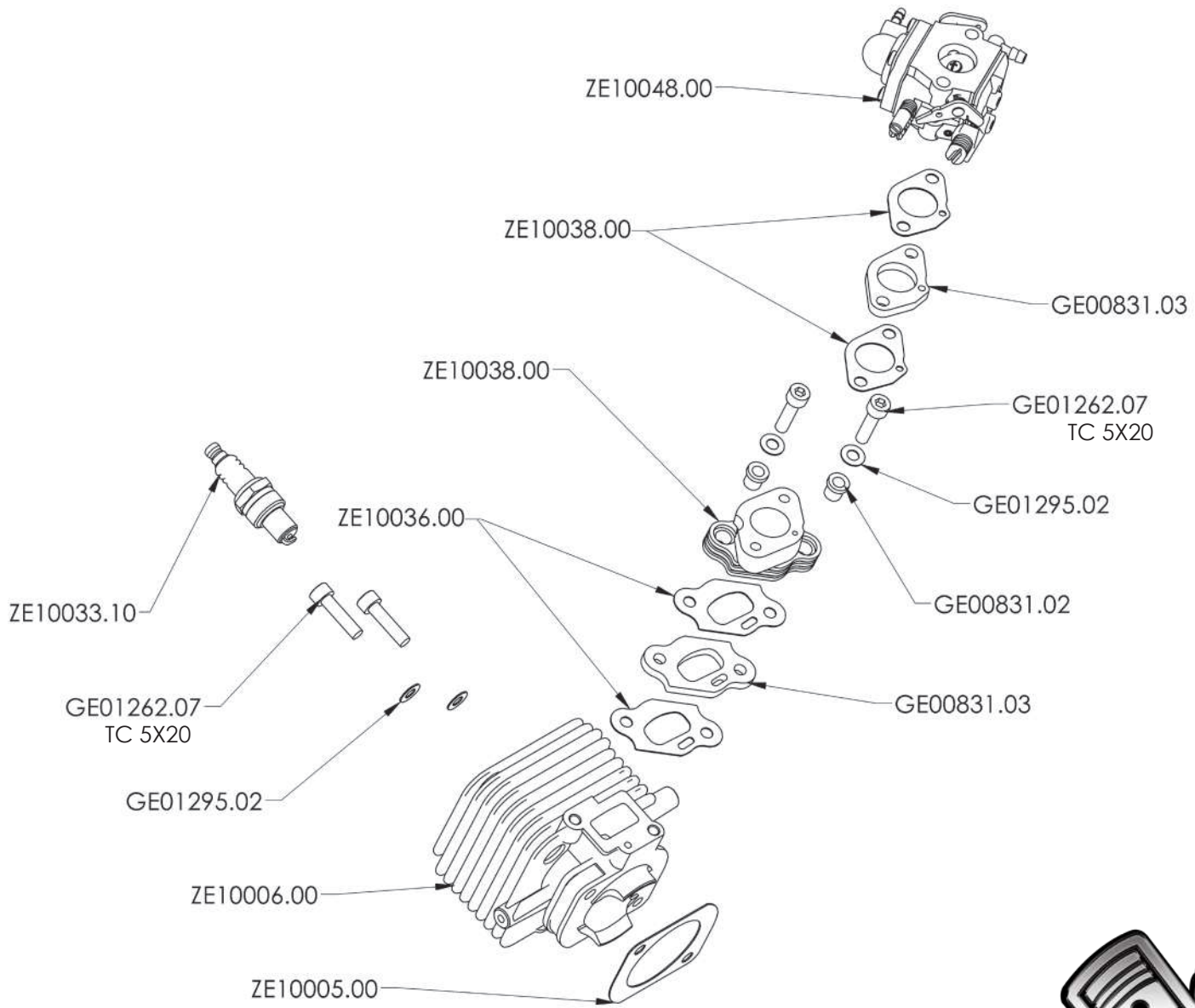


FOR DIABLO R 26CC



	ZE10070.00	PISTON RING 26ccm/G260, (1) T2088-41210
	ZE10069.00	PISTON 26ccm/G260, (1) T2088-41110
	ZE10068.00	CYLINDER 26ccm/G260, (1) T270012110
	ZE10009.10	GUDGEON PIN G260, (1) Art. 1600-41310

DIABLO R ASSEMBLING



RENDERING ENGINE DIABLO R



OPTIONALS DIABLO R



ZE10520.30



DIABLO R MOTOR FIXING PLATE

ZE10520.40



DIABLO R CASTLE FIXING PLATE

ZE10520.20



CLUTCH SUPPORT SET

ZE10520.10



COOLING FAN DIABLO R

MA00962.10



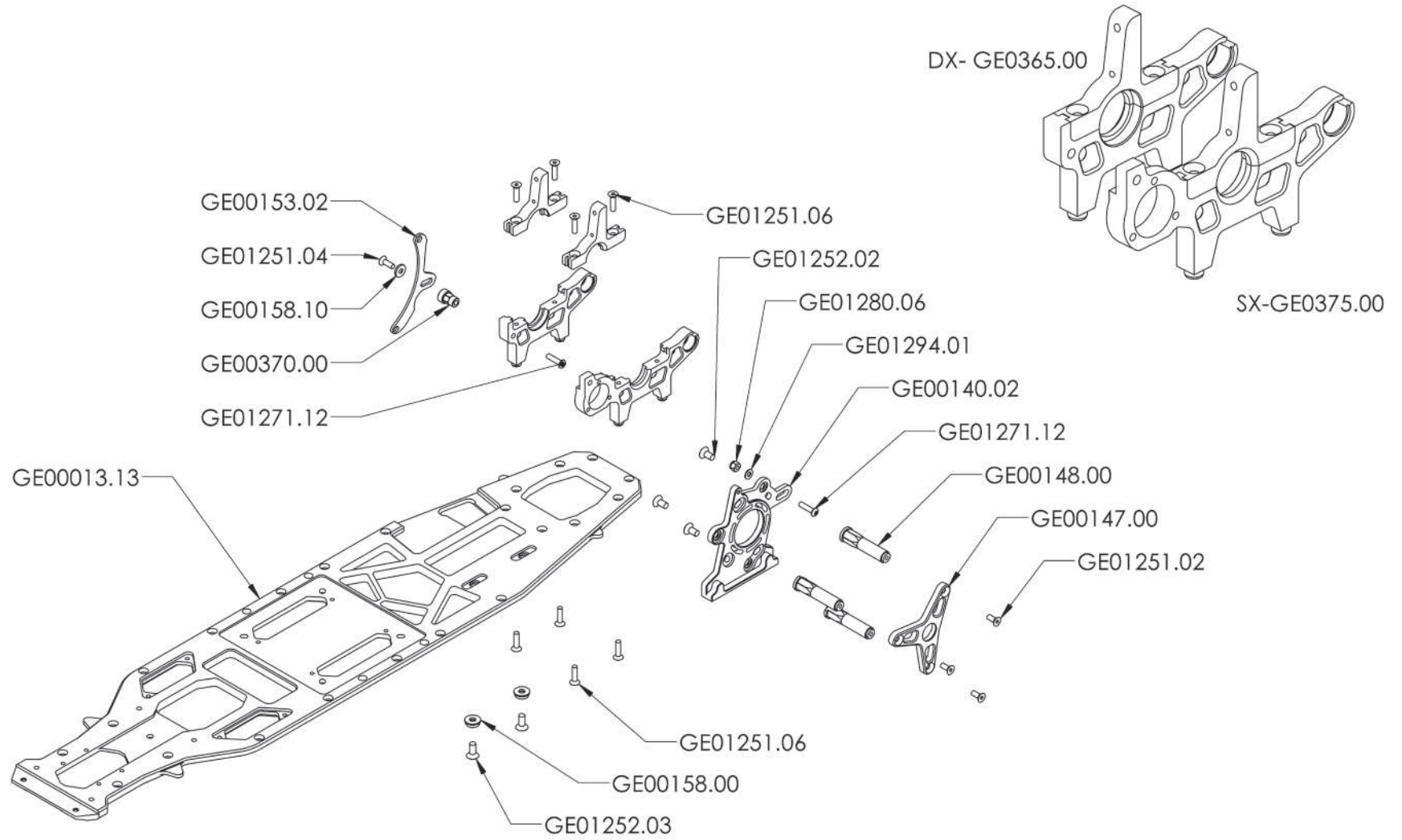
**MANIFOLD TIT. FOR BEST PIPE
ENGINE DIABLO R**

SC00200.00

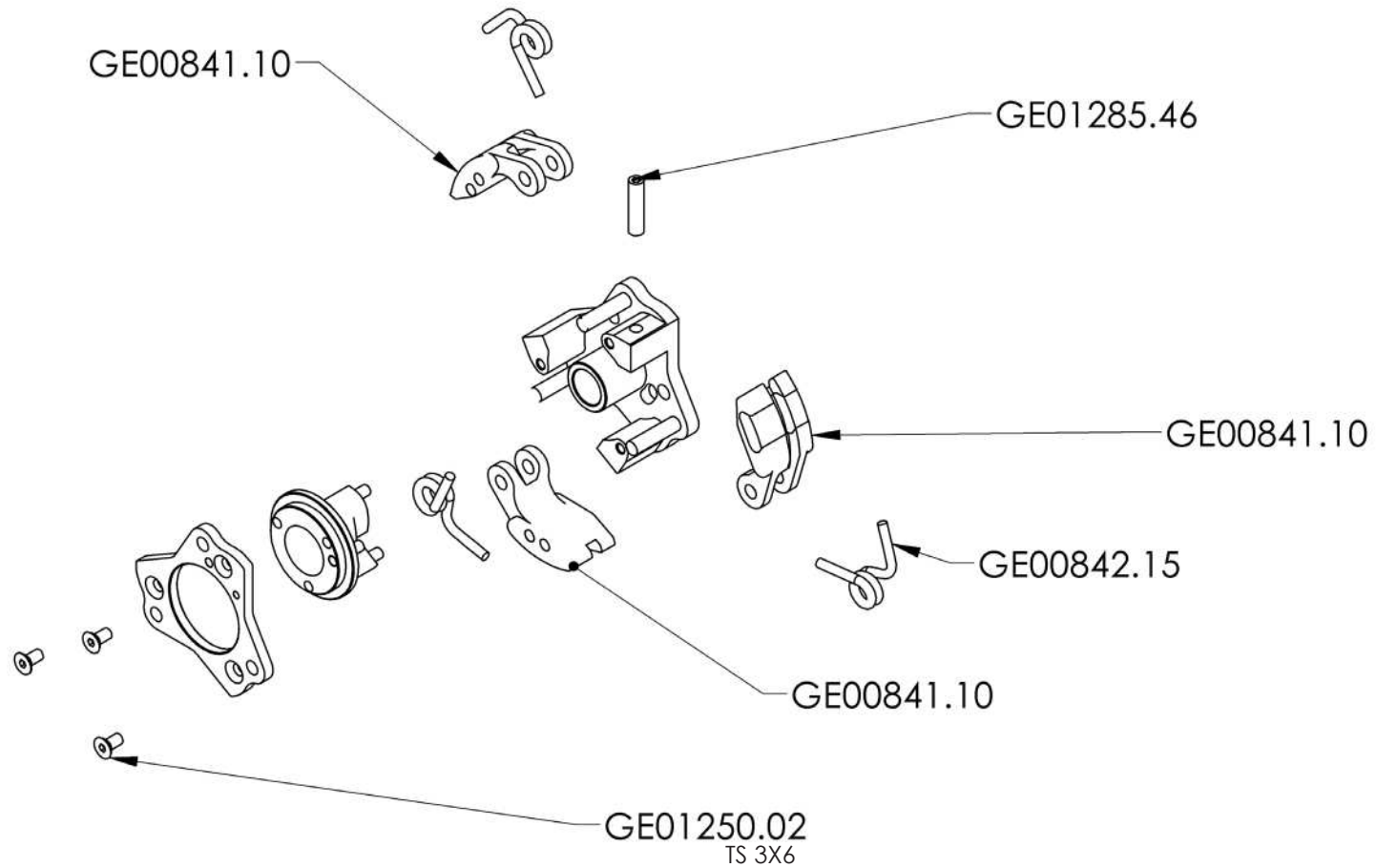


**START-ADAPTER FOR
E-STARTER/FANWHEEL**

XR5.26 S ASSEMBLING



CLUTCH ASSEMBLING - TORKX



CLUTCH ASSEMBLING - TORKX



THE TORKX CLUTCH IS FOR **ALL SERIES XR5.26**



GE01250.01	TS 3X6
GE01285.46	GRAIN 4X16
GE01280.33	PIN 3X12
GE01280.31	PIN 3X10



STANDARD EQUIPMENT

CLUTCH SPRINGS 2,5

RANGE 12.000 - 14.000 RPM

**IDEAL FOR
HIGH GRIP TRACK**

CODE: GE00842.15



OPTIONAL EQUIPMENT

CLUTCH SPRINGS 2,4

RANGE 9.000 - 11.000 RPM

**IDEAL FOR
LOW GRIP TRACK**

CODE: GE00842.10



STRAINS SUPPORT

FOR TORK X

CODE: GE00841.10



CODE: GE00839.20



CODE: GE0843.00



CLUTCH ADJUSTING TOOL

CODE: GE0580.00



CLUTCH REMOVING TOOL



MODELTEK

di Noacco Zeno

Via Madonna di Strada,34
33048 San Giovanni al Natisone (UD) Italy

+39 **0432 1849976** | info@genius-racing.com

www.modeltekshop.com | www.genius-racing.com



GENIUSRACING



GENIUSRACINGXR