



XR5.26

INSTRUCTION MANUAL 2026



| | |
|---|--------------|
| CHASSIS ASSEMBLY WITH REINFORCEMENT | 1-6 |
| LOWER SUSPENSION ARM REAR | 7-8 |
| REAR ASSEMBLING | 9-13 |
| REAR UPRIGHT | 14 |
| ASSEMBLING REAR UP ARMS | 15 |
| CARDAN AXEL ASSEMBLY | 16 |
| REAR ASSEMBLING | 17 |
| FRONT ANTI-ROLL BAR | 18 |
| REAR ANTI-ROLL BAR | 19 |
| ASSEMBLING REAR ANTI-ROLL BAR | 20 |
| REAR SHOCK ASSEMBLING | 21-22 |
| FRONT BULKHEAD | 23 |
| LOWER SUSPENSION ARM FRONT | 24 |
| FRONT ASSEMBLING | 25 |
| ASSEMBLING FRONT UP ARMS | 26 |

| | |
|---|---------------------|
| FRONT UPRIGHT | 27 |
| FRONT ASSEMBLING | 28 |
| SHOCK ASSEMBLING | 29-30 |
| SPINGS TABLE AND KITS | 31 |
| STEERING ARMS | 32 |
| FRONT BODY MOUNT AND SHOCKS | 33-34 |
| SERVO SAVER ASSEMBLING | 35-36 |
| RADIO PLATE MOUNT | 37 |
| RADIO PLATE AND FRONT MOUNT | 38 |
| FRONT BAUMPER ASSEMBLING | 39 |
| FUEL TANK ASSEMBLING | 40 |
| XR5.26 D 500mm | 41 |
| DIABLO R ASSEMBLING AND OPTIONALS | 42-45 |
| XR5.26 S ASSEMBLING | 46 |
| CLUTCH ASSEMBLING AND TOOLS | 47-48-49 -50 |



| | |
|--|--------------|
| ASSEMBLAGGIO DEL TELAIO CON RINFORZO | 1-6 |
| BRACCIO INFERIORE SOSPENSIONE POSTERIORE | 7-8 |
| ASSEMBLAGGIO POSTERIORE | 9-13 |
| MONTANTE POSTERIORE | 14 |
| ASSEMBLAGGIO BRACCI SUPERIORI POSTERIORI | 15 |
| ASSEMBLAGGIO ASSE CARDANO | 16 |
| ASSEMBLAGGIO POSTERIORE | 17 |
| BARRA ANTIROLLIO ANTERIORE | 18 |
| BARRA ANTIROLLIO POSTERIORE | 19 |
| ASSEMBLAGGIO DELLA BARRA ANTIROLLIO POSTERIORE | 20 |
| ASSEMBLAGGIO AMMORTIZZATORE POSTERIORE | 21-22 |
| CASTELLO ANTERIORE | 23 |
| BRACCIO INFERIORE DELLA SOSPENSIONE ANTERIORE | 24 |
| ASSEMBLAGGIO ANTERIORE | 25 |
| ASSEMBLAGGIO DEI BRACCI SUPERIORI ANTERIORI | 26 |

| | |
|---|---------------------|
| MONTANTE ANTERIORE..... | 27 |
| ASSEMBLAGGIO ANTERIORE..... | 28 |
| ASSEMBLAGGIO AMMORTIZZATORE..... | 29-30 |
| TABELLA E KIT DI MOLLE..... | 31 |
| BRACCETTI STERZO..... | 32 |
| MONTAGGIO ANTERIORE E AMMORTIZZATORI..... | 33-34 |
| ASSEMBLAGGIO SALVA SERVO..... | 35-36 |
| SUPPORTO PIASTRA RADIO..... | 37 |
| PIASTRA RADIO E SUPPORTO ANTERIORE..... | 38 |
| ASSEMBLAGGIO BAUPER ANTERIORE..... | 39 |
| ASSEMBLAGGIO DEL SERBATOIO..... | 40 |
| XR5.26 D 500mm..... | 41 |
| DIABLO R ASSEMBLAGGIO E OPTIONALS..... | 42-45 |
| XR5.26 S ASSEMBLAGGIO..... | 46 |
| ASSEMBLAGGIO FRIZIONE E UTENSILI..... | 47-48-49 -50 |

MOUNTING COMPONENTS KITS

XR5.26 D ALL VERSIONS

1



2



MOUNTING COMPONENTS KITS

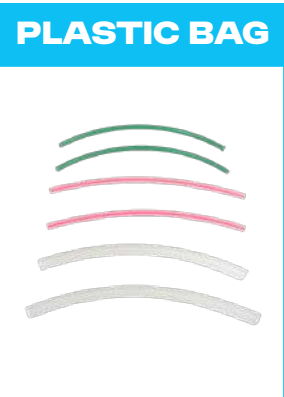
XR5.26 D

ALL
VERSIONS

3



4



MOUNTING COMPONENTS KITS

XR5.26 S

1



2



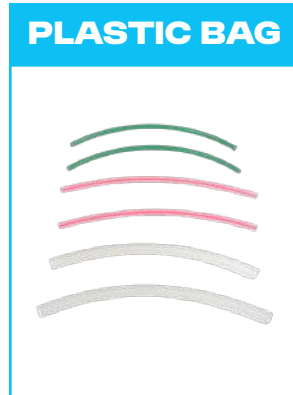
MOUNTING COMPONENTS KITS

XR5.26 S

3



4



5



MOUNTING COMPONENTS KITS

XR5.26 E





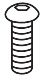

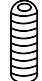






3



ONLINE SHOPPING CODES TABLE



KIT 1

| | | | | | |
|------------|---|--------------------------------------|------------|---|--|
| X |  | 4,2 x 20 for plastic | GT8500345 |  | BRAKE LINKAGE LEVER |
| X |  | 4,2 x 13 for plastic | GE00211.10 |  | COLUMN SUPP. BODY FRONT/REAR ROCKER |
| GE01271.12 |  | TB 4X16 | GE00171.00 |  | CARBON SIDE BULKHEAD |
| GE01285.46 |  | GR 4X16 | GE00813.00 |  | RECEIVER ANTENNA |
| GE01280.24 |  | PIN 2X20 | | | |
| GE00861.00 |  | BAUMPER FRONT SPONGE | | | |
| GE00182.00 |  | FRONT ROLL BAR SUPPORT 5.5 MM | | | |
| GE00204.00 |  | COLUMN SUPPORT LATERAL | | | |
| GE00861.10 |  | FRONT BAUMPER FOAM RETAINING PEGS | | | |

ONLINE SHOPPING CODES TABLE



KIT 2

| | | |
|------------|---|--|
| GE01280.00 |  | TC 3X16 |
| GE01280.00 |  | NUT M3 |
| X |  | SHIM 3X6X5 |
| GE01275.03 |  | TB 3X9,5 |
| GE00583.00 |  | BALL FOR UNIBALL 6mm |
| GE00810.00 |  | RECEIVER BOX |
| GT851200 |  | ADJ TURNBUCKLE STEEL M4 L/R 50 mm EXA 4 |
| GE00753.00 |  | PLASTIC UNIBALL M4 |
| GE00417.00 |  | CAMBER ADJ PLATES SET - 0,5 - 1 - 2 mm |

| | | |
|------------|---|---------------------------|
| GE01257.05 |  | PLASTIC T SERO LINKAGE |
| GE00815.00 |  | RECEIVER ANTENNA |
| X |  | COLLARS |

ONLINE SHOPPING CODES TABLE





KIT 3

| | | |
|------------|---|--------------------------------------|
| GE01251.02 |  | TS 4X10 |
| GE00875.00 |  | LOCKING TUBE CLIPS |
| GE01106.00 |  | BRAKE BLEEDING VALVE INOX |
| GE00395.00 |  | DRIVE SHAFT BOOTS |
| GE00391.12 |  | DRIVE SHAFT ALU 102 mm |
| GE00394.00 |  | BALL BEARINGS FOR DRIVESHAFTS 5mm |
| GE0088.00 |  | DIFF SPURE GEAR Z 72 M1 |
| GE00870.01 |  | BRAKE JUNKTION Y PIPE 4mm |
| GE00872.02 |  | BRAKE JUNKTION TUBE 4mm |

| | | |
|------------|---|------------------------|
| GE00872.01 |  | BRAKE UNION L TUBE 4mm |
| GE00392.01 |  | BRAKE FLUID BLUE 250ML |
| GE00873.00 |  | 3MM BRAKE TUBE 2M |

PLASTIC BAG

| | | |
|------------|---|---|
| GE00565.00 |  | GUIDE BUSH PVC THREA- DLOCK THREADLOCK 2,4mm |
| GE01104.01 |  | PVC BUSH THREADLOCK BRAKE |

ONLINE SHOPPING CODES TABLE

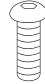





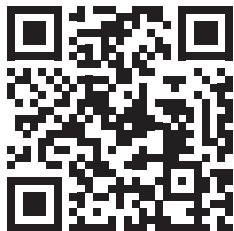
KIT 4

| | | |
|------------|---|------------------------------|
| GE01157.05 |  | PLASTIC T SERVO LINKAGE |
| GE01157.05 |  | PLASTIC T SERVO LINKAGE |
| GE01012.10 |  | FUEL TUBE SUPPORT |
| GE00755.00 |  | PLATIC UNIBALL M2 |
| GE01012.00 |  | FUEL TANK PIPES WITH FILTER |
| GE01157.00 |  | ACCELERATOR ROD WITH UNIBALL |



KIT 5

| | | |
|------------|---|----------------------------------|
| GE01272.06 |  | TB 5X10 |
| GE01261.06 |  | TC 4X12 |
| X |  | TC 5X25 ULTRA-LOW HEAD |
| GE01295.02 |  | SHIM Ø 5x10x0,5 |



CHASSIS ASSEMBLY WITH REINFORCEMENT

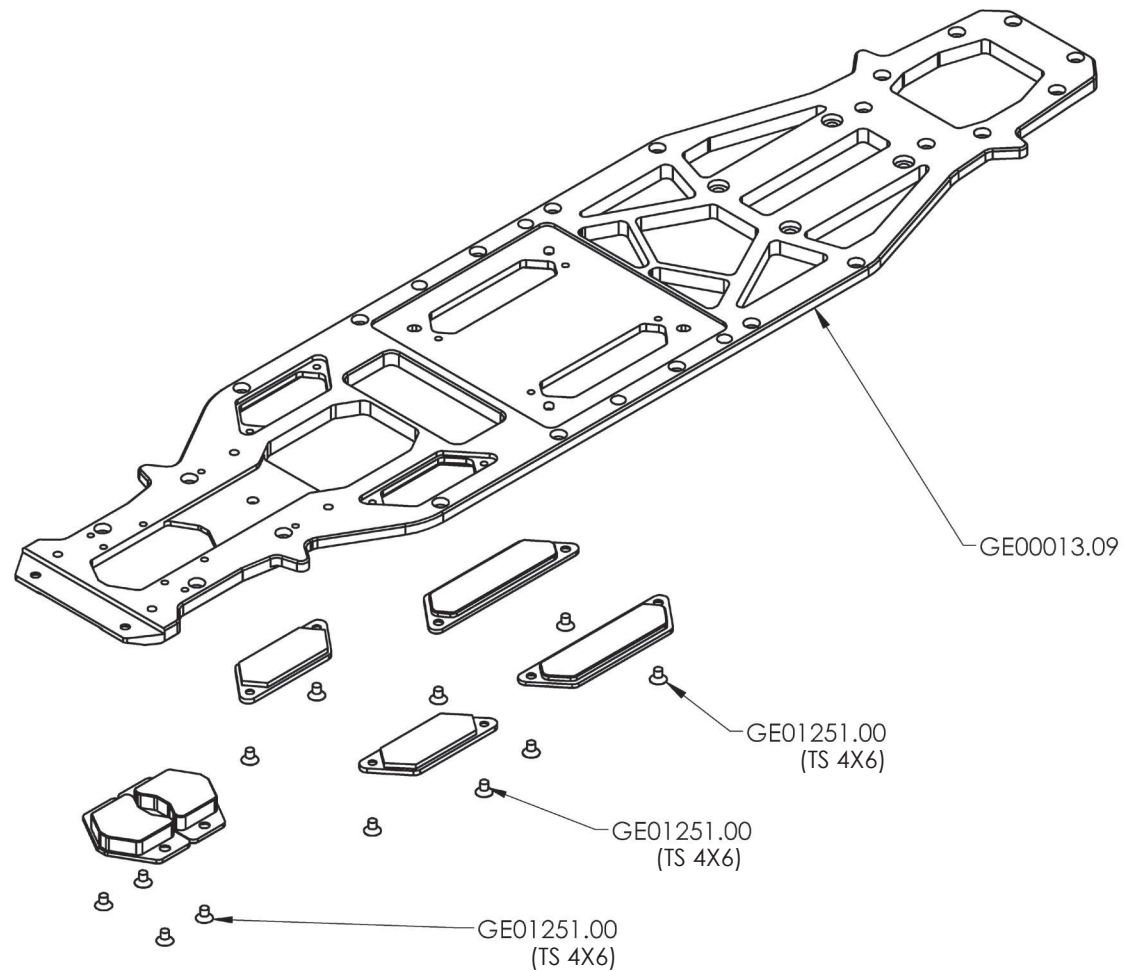
XR5.26

OPTIONALS

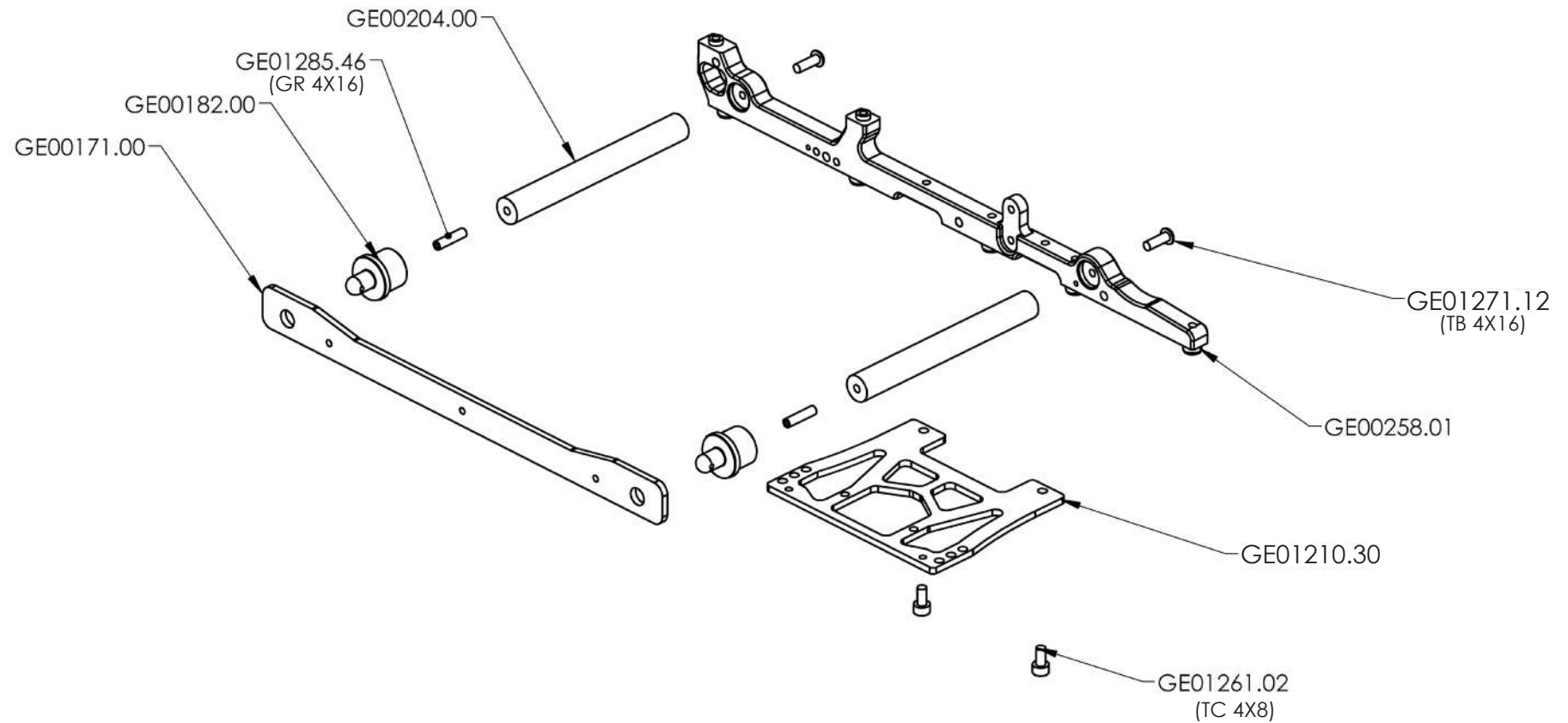
| | |
|---|---|
| 50g | 100g |
|  |  |
| DESCRIPTION | CODE |
| WEIGHT | GE00014.00 |

| | |
|---|---|
| 50g | 50g |
|  |  |
| DESCRIPTION | CODE |
| WEIGHT | GE00014.10 |

| | |
|---|---|
| 75g | 75g |
|  |  |
| optional parts | |
| DESCRIPTION | CODE |
| WEIGHT | GE00014.20 |



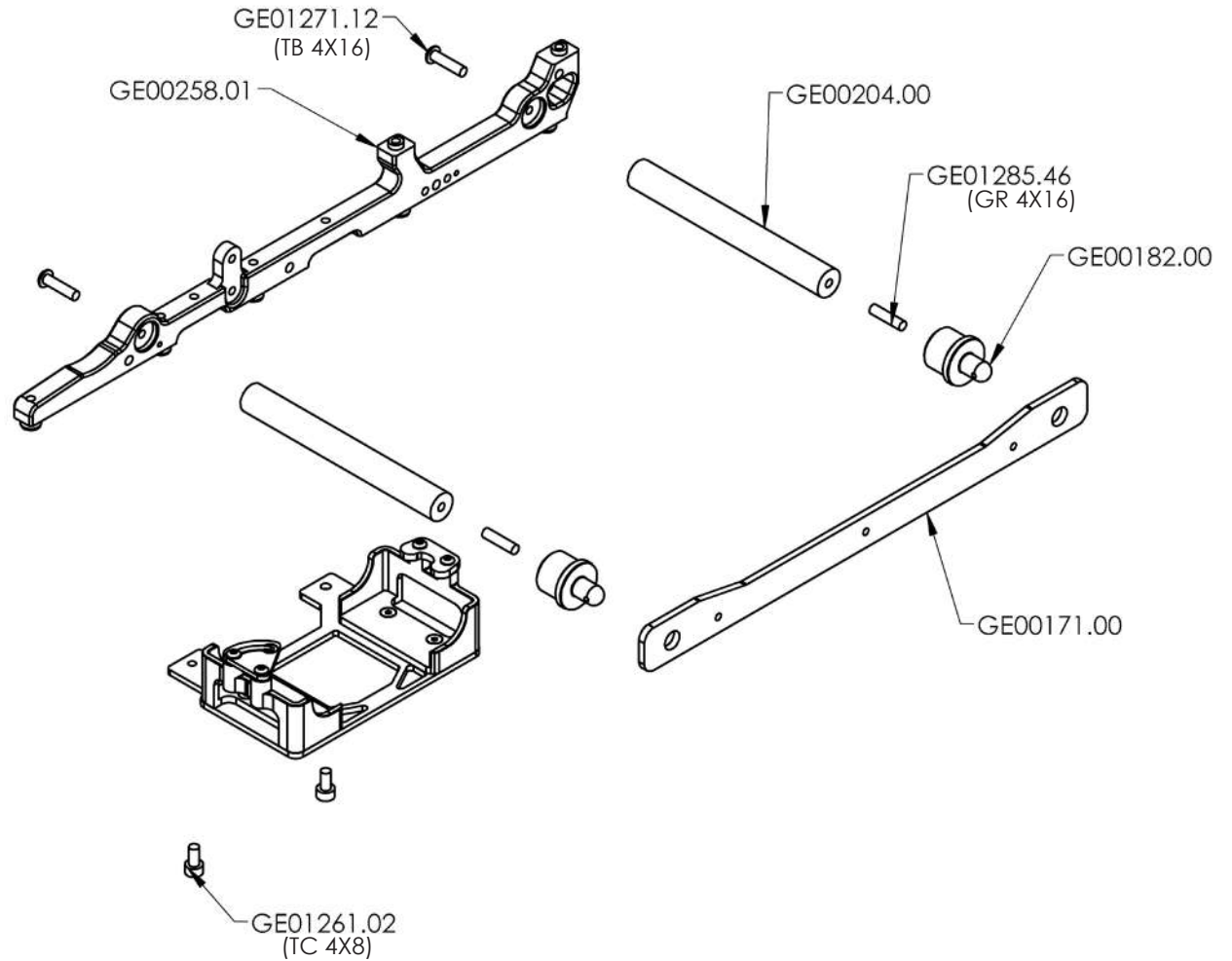
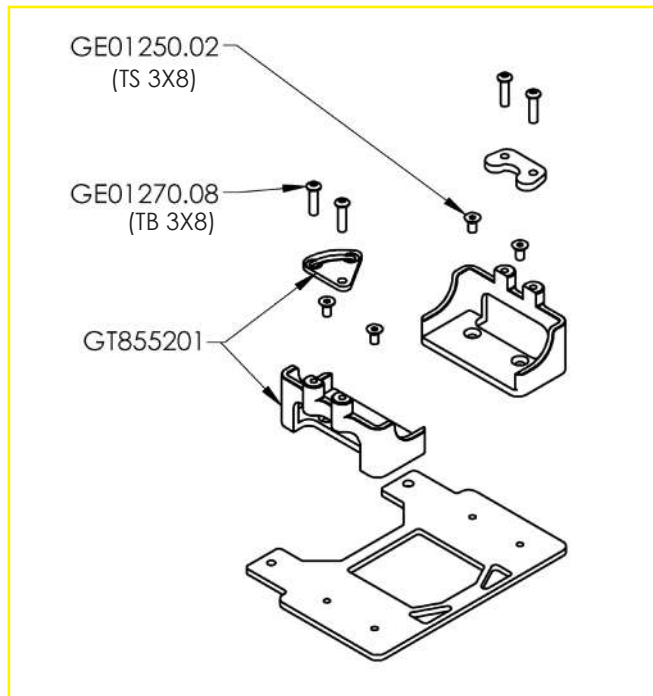
CHASSIS ASSEMBLY WITH REINFORCEMENT



CHASSIS ASSEMBLY WITH REINFORCEMENT

COMPLETE SET

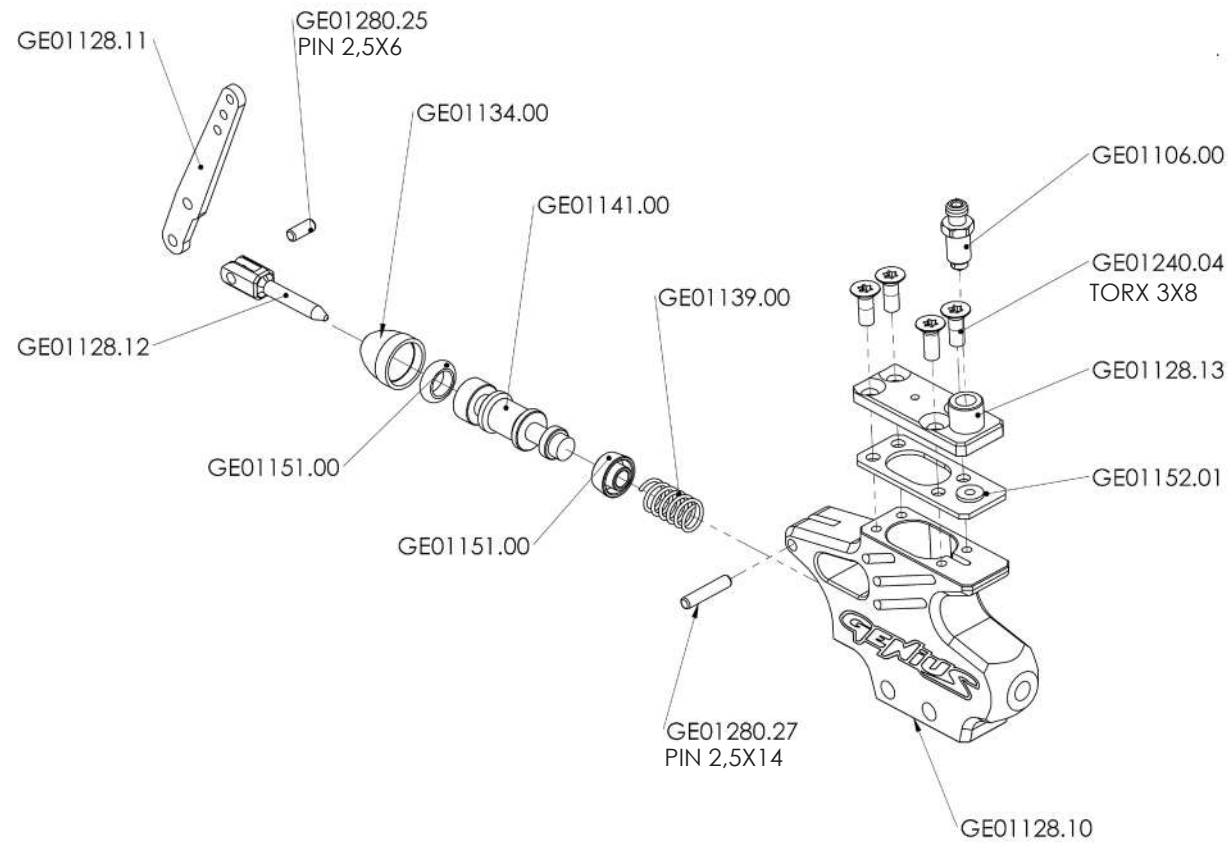
GE01203.12 Hard case short set



CHASSIS ASSEMBLY WITH REINFORCEMENT

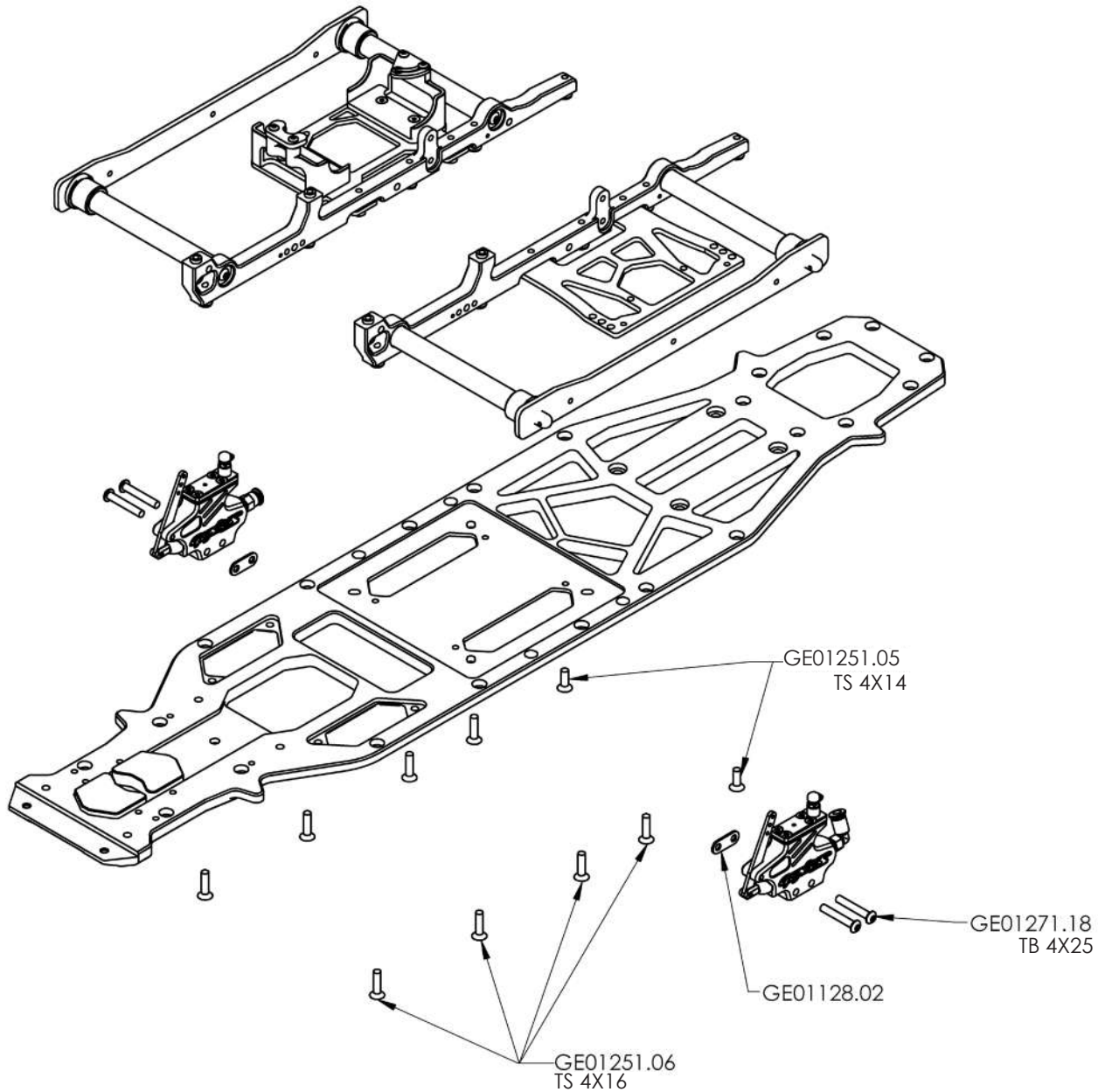
MASTER CILINDER ASSEMBLY

GE01128.01

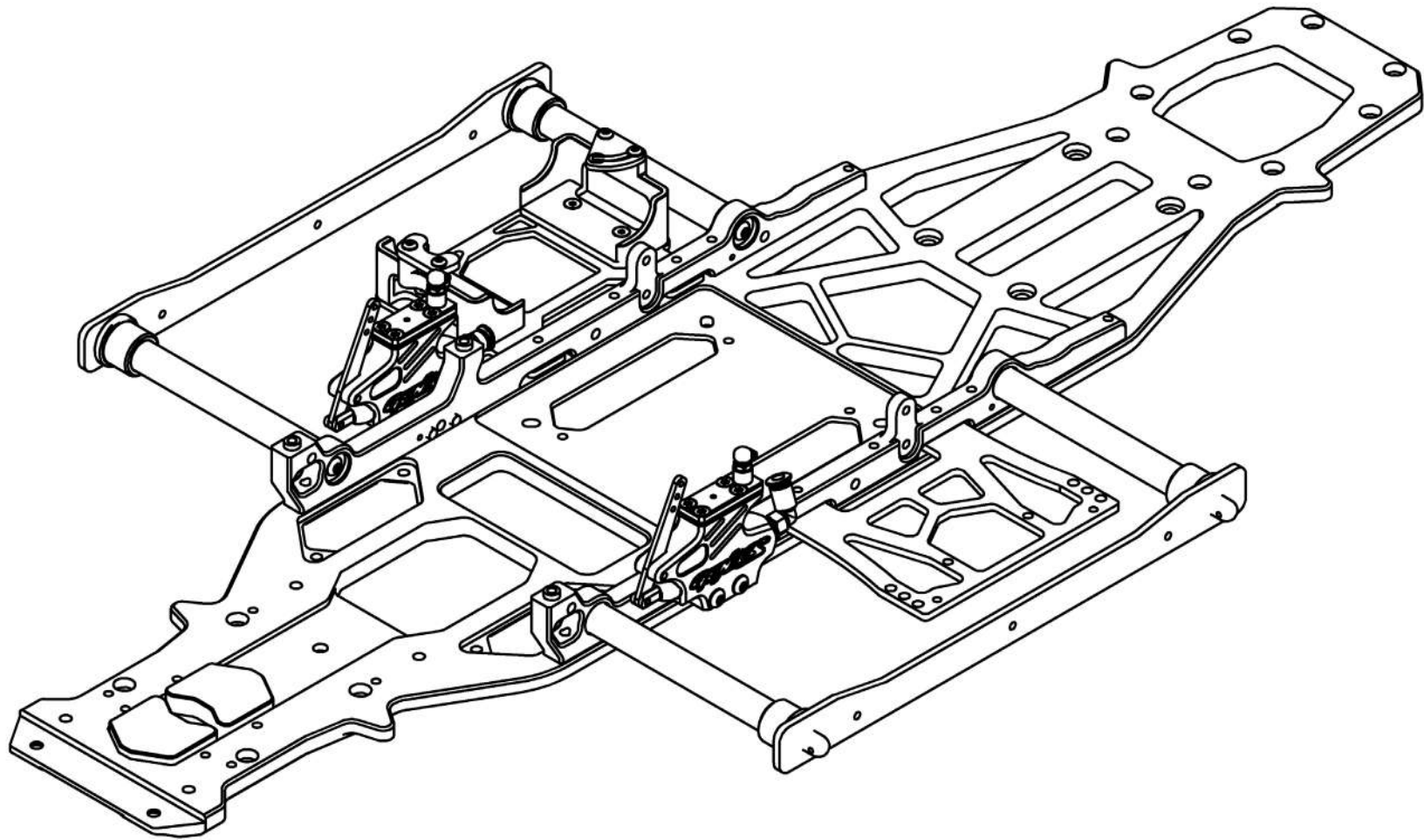


| | | | | | |
|---|---|--|---|---|---|
|  |  |  |  |  |  |
| GE00871.01 | GE00872.01 | GE00872.02 | GE00870.01 | GE01112.00 | GE00392.01 |

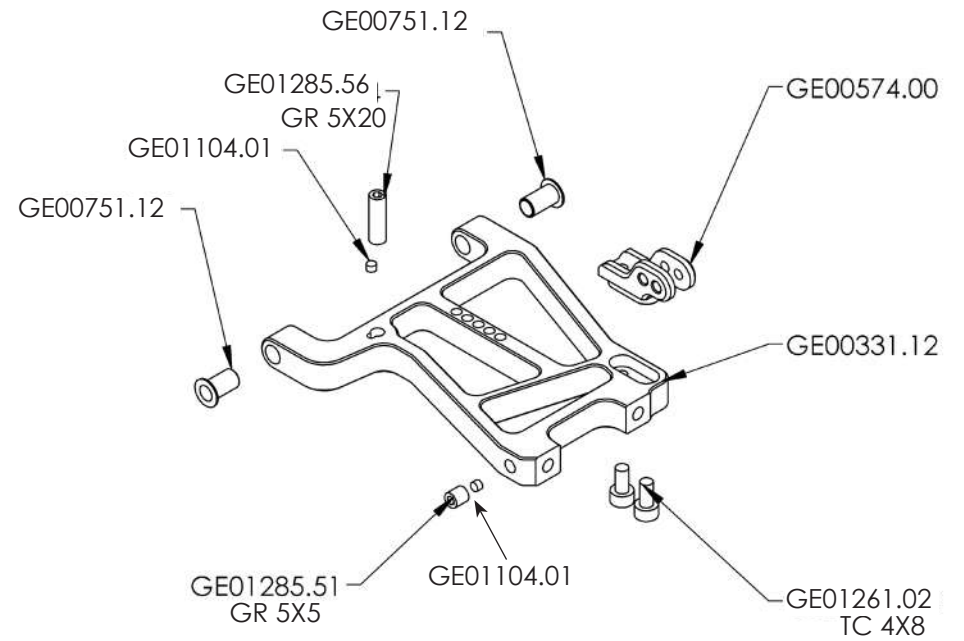
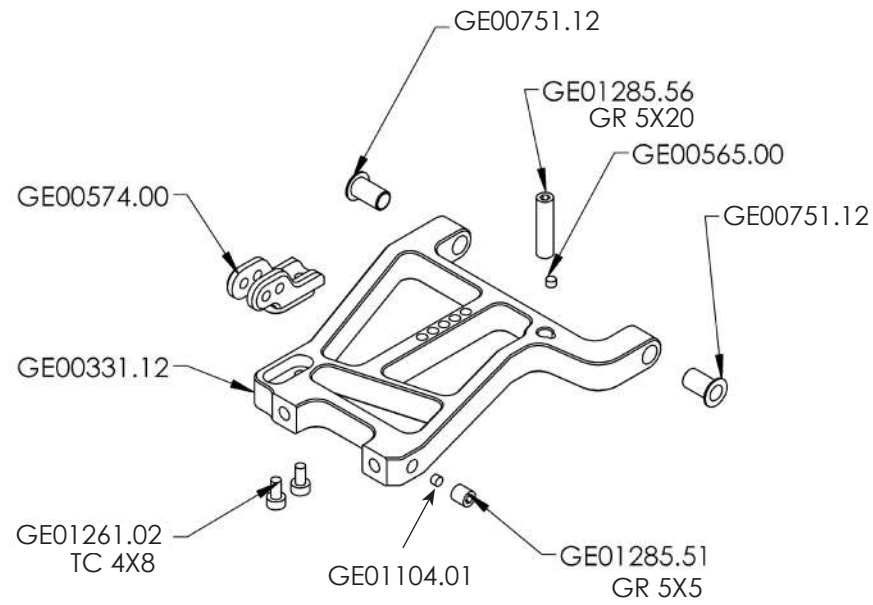
CHASSIS ASSEMBLY WITH REINFORCEMENT



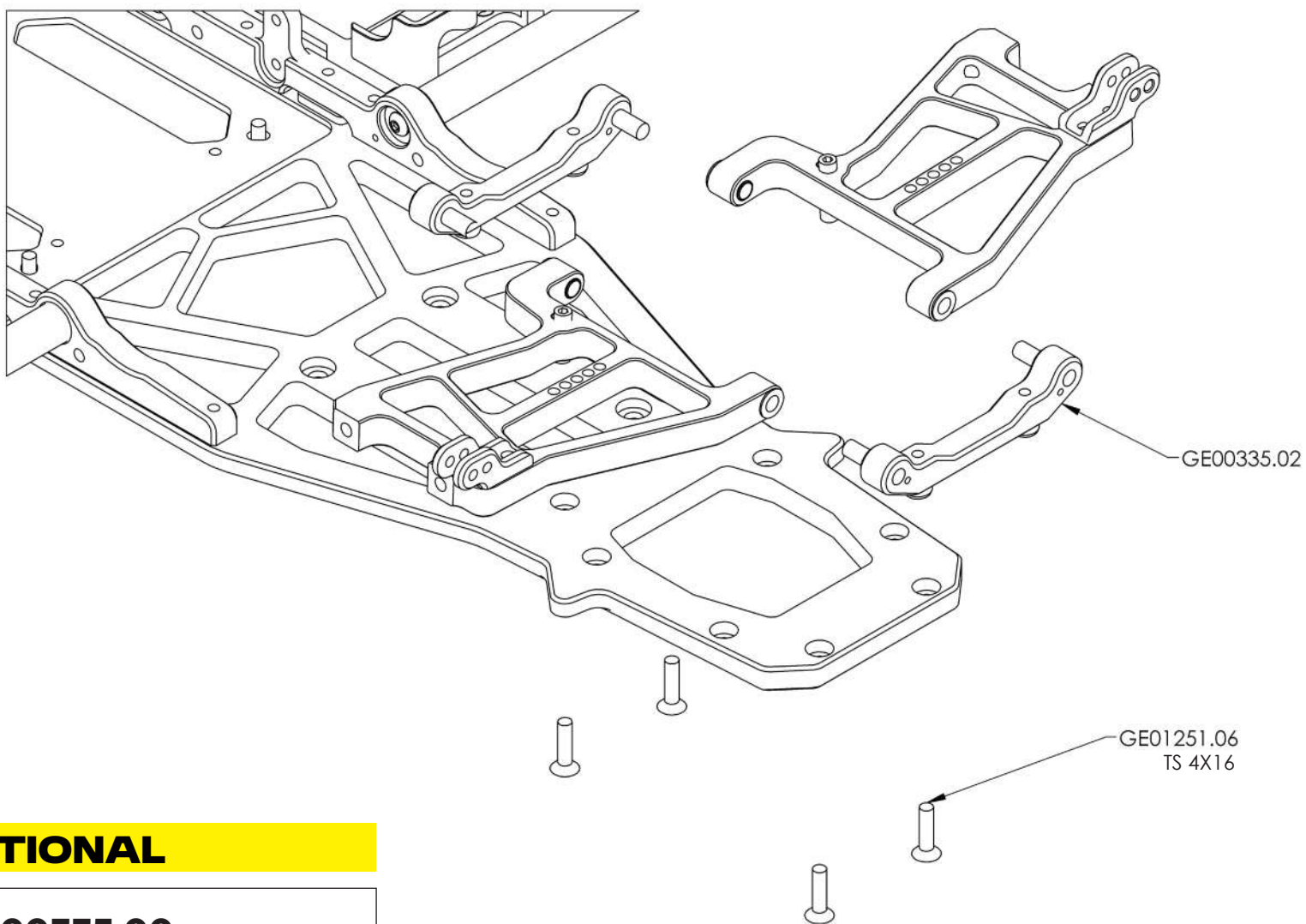
CHASSIS ASSEMBLY WITH REINFORCEMENT



LOWER SUSPENSION ARM REAR



LOWER SUSPENSION ARM REAR

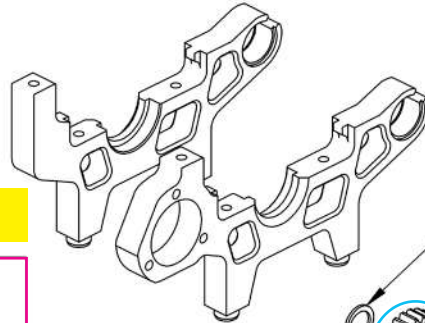
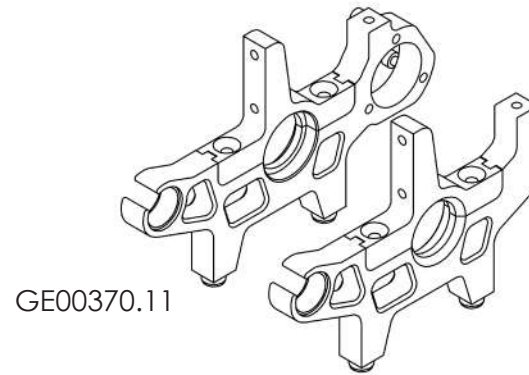
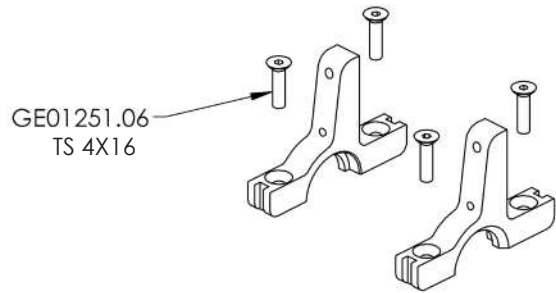


OPTIONAL



GE00335.00
ALU LOWER PLATE SET (2)

REAR ASSEMBLING

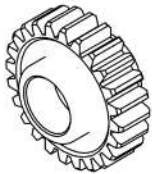


OPTIONAL



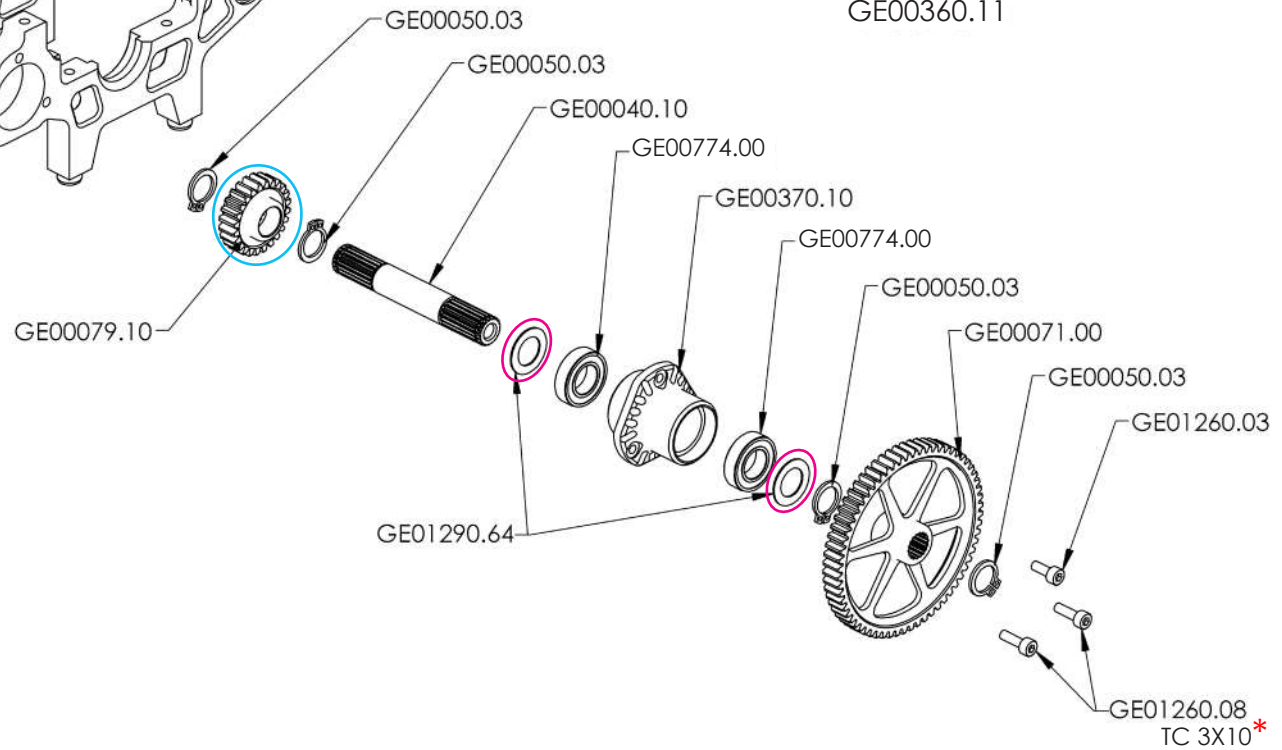
optional parts

| DESCRIPTION | CODE |
|-------------------|-------------|
| RASAMENTO ø10x0.1 | GE001290.60 |
| RASAMENTO ø10x0.3 | GE001290.62 |
| RASAMENTO ø10x0.5 | GE001290.64 |



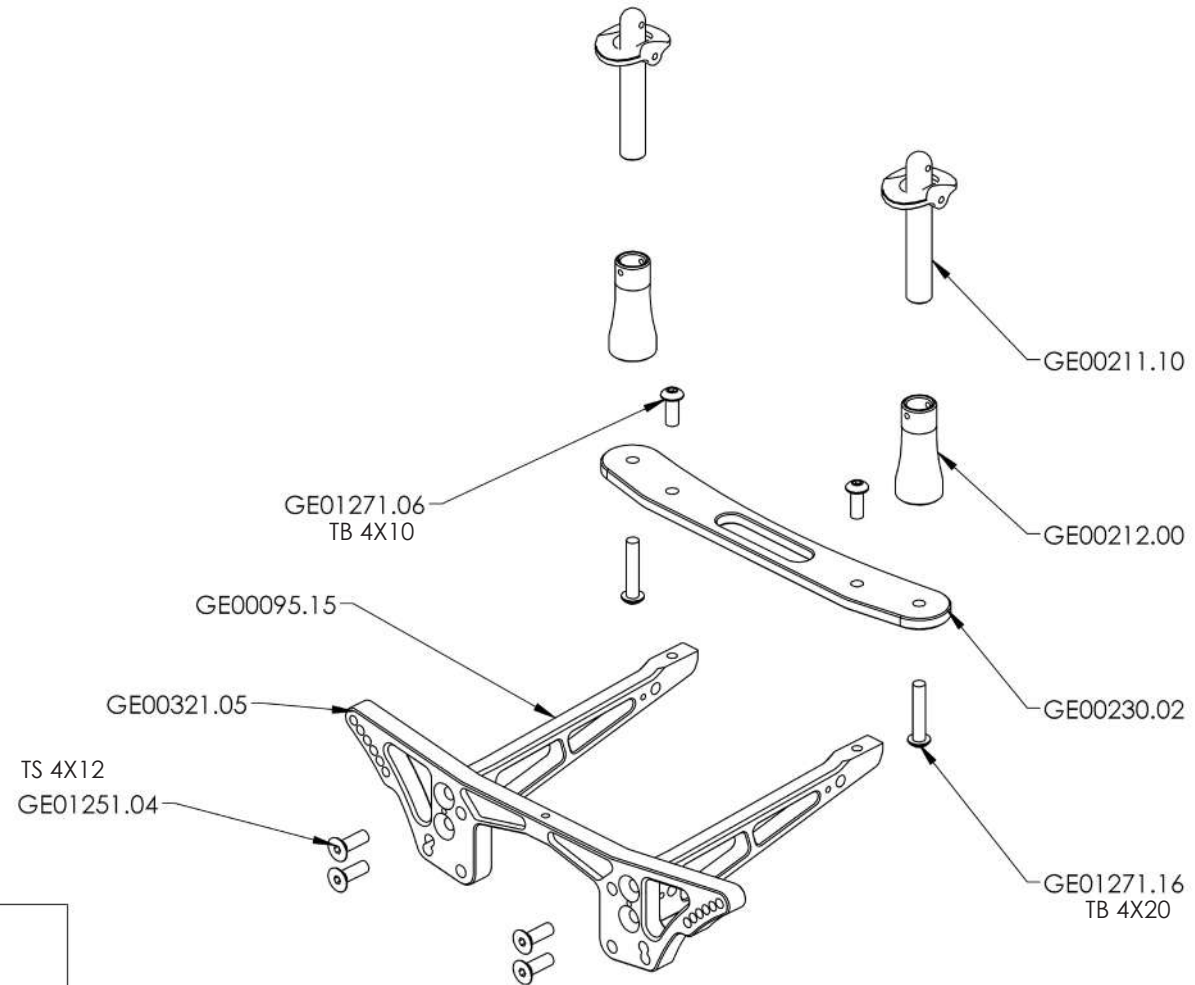
optional parts

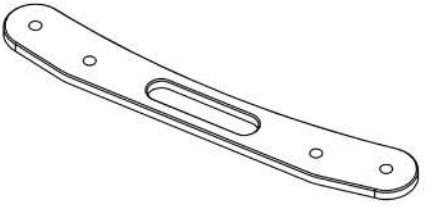
| DESCRIPTION | CODE |
|----------------|------------|
| PIGNONE Z24 M1 | GE00079.10 |
| PIGNONE Z25 M1 | GE00080.10 |



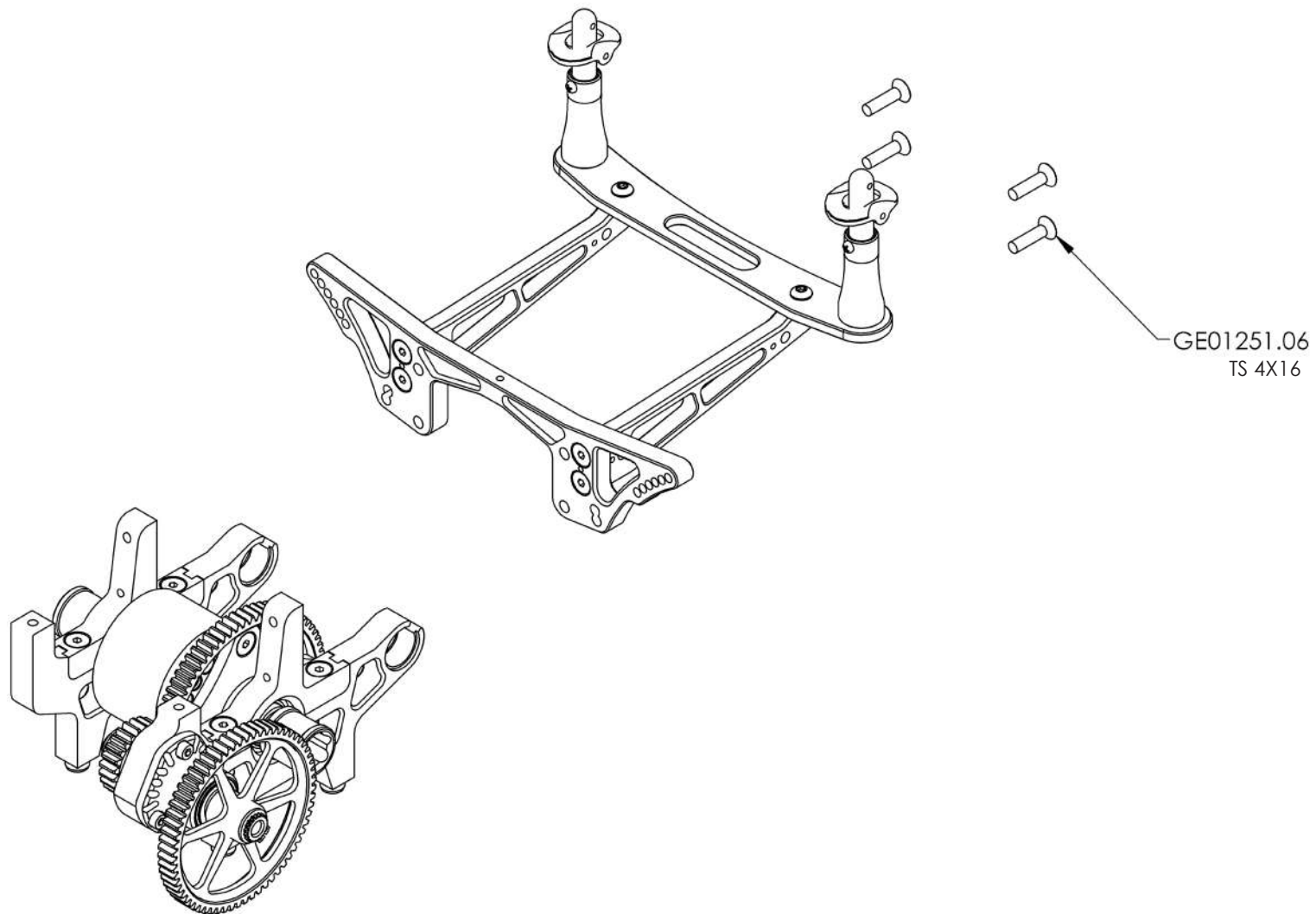
*IN THE XR5.26 S TC 3X8

REAR ASSEMBLING

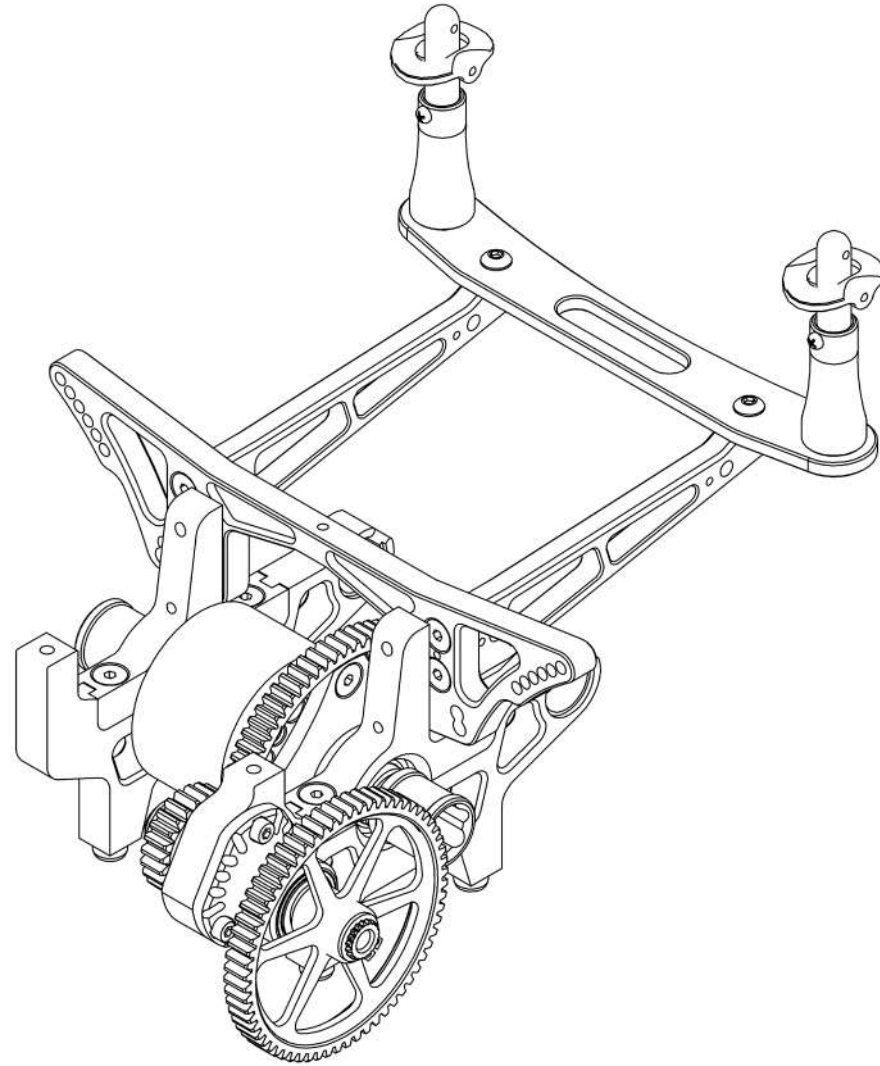


| | |
|---|------------|
|  | |
| optional parts | |
| DESCRIPTION | CODE |
| SUPPORTO CARROZZERIA CARBONIO | GE00230.03 |

REAR ASSEMBLING

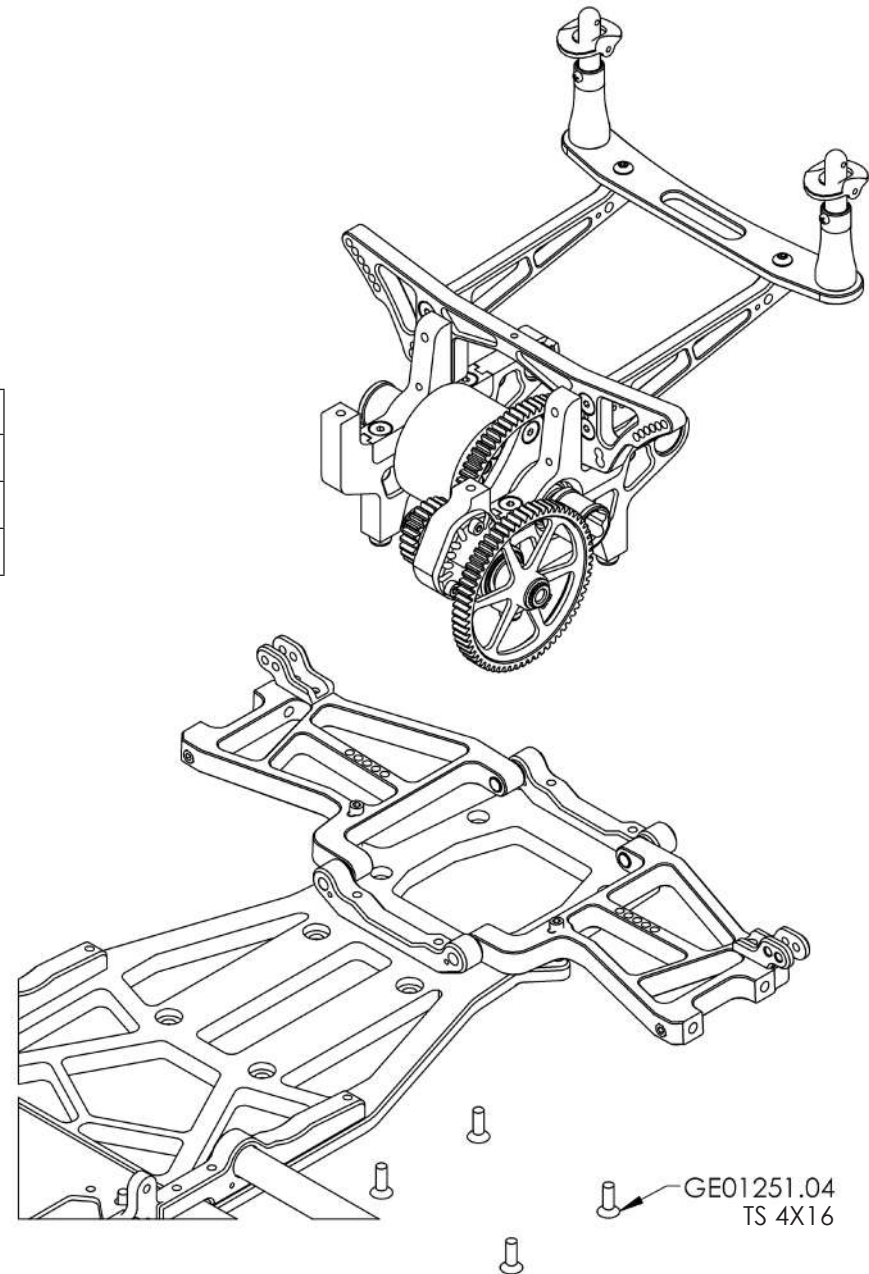


REAR ASSEMBLING

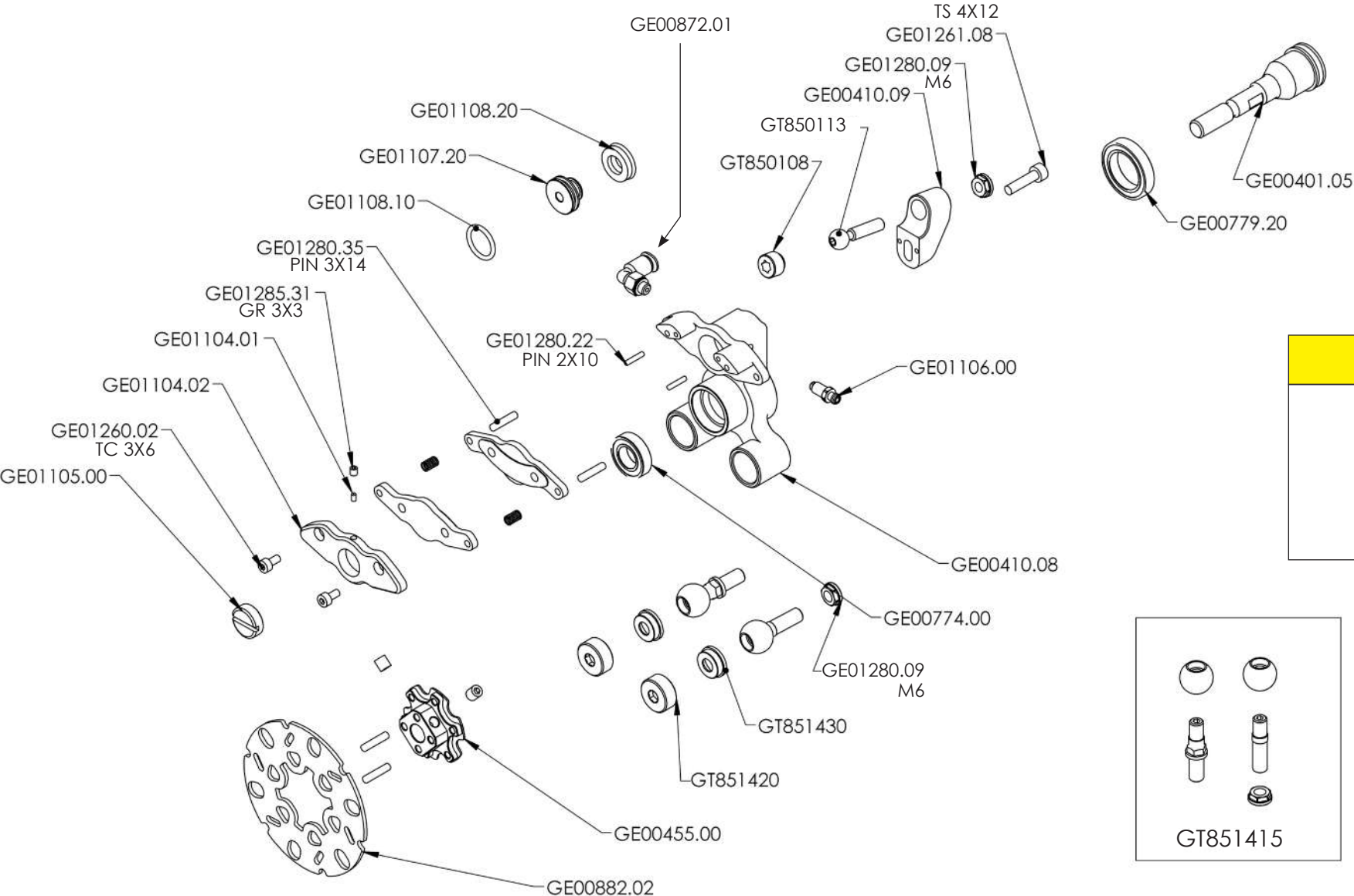


REAR ASSEMBLING

| PIGNON 1 | PIGNON 2 | PIGNON 3 | PIGNON 4 | RATIO |
|----------|----------|----------|----------|-------|
| 33 | 63 | 24 | 72 | 5,727 |
| 34 | 63 | 24 | 72 | 5,559 |
| 35 | 63 | 24 | 72 | 5,400 |



REAR UPRIGHT

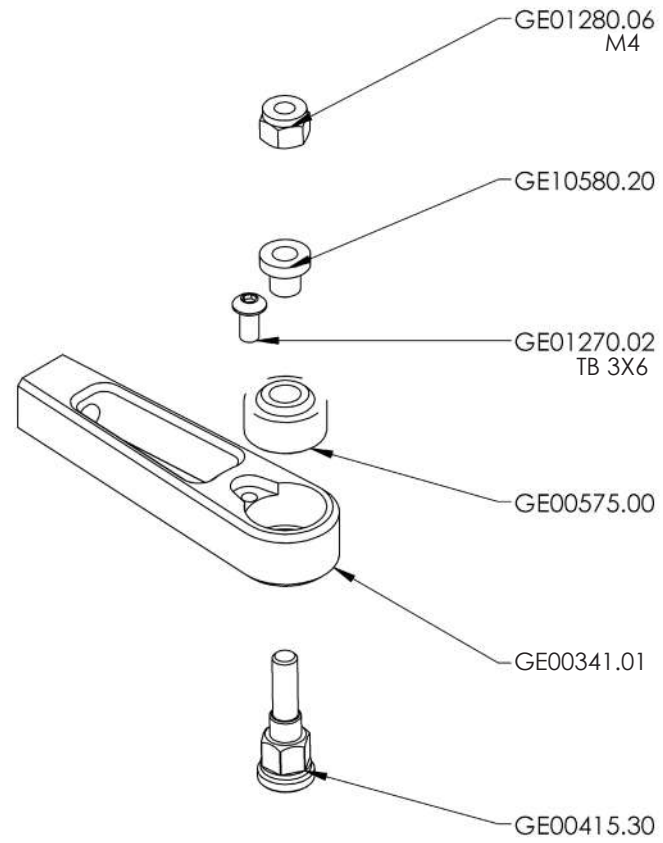


OPTIONAL

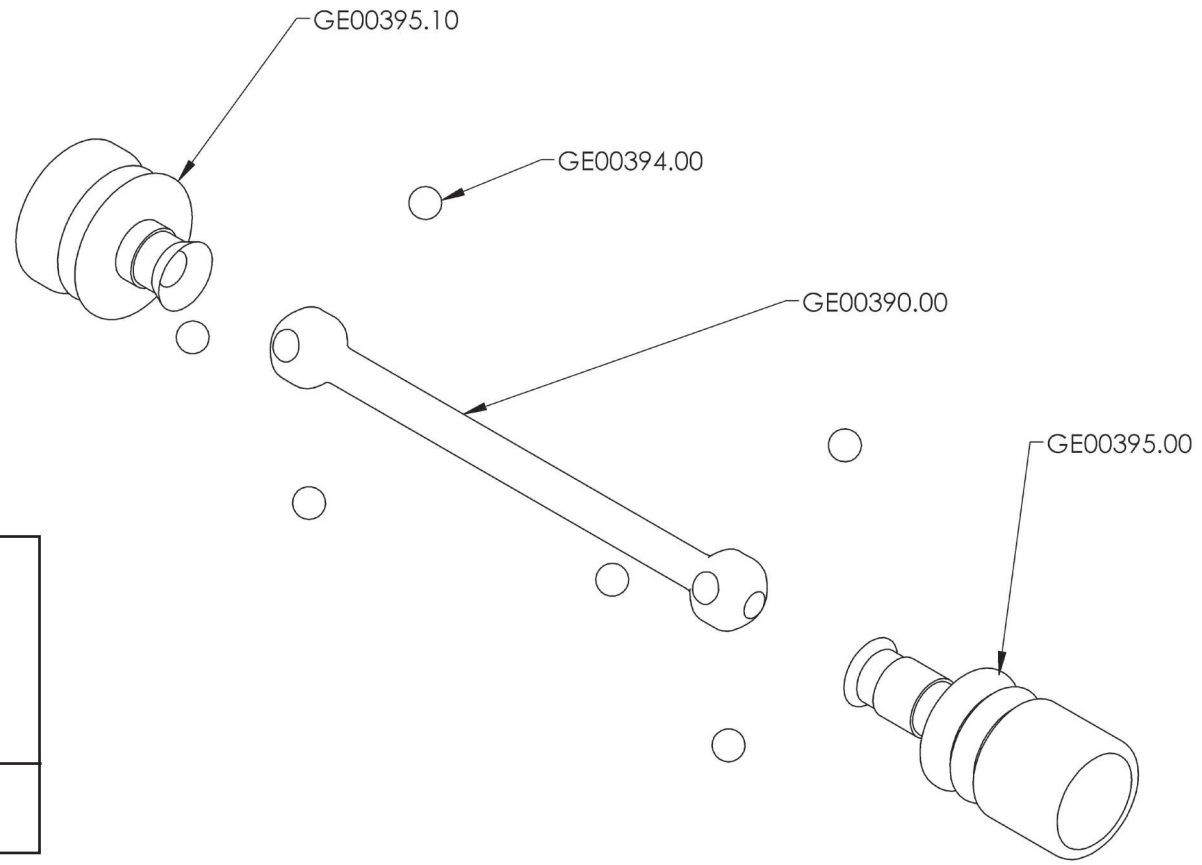
GE00730.10
AUTOLOCKING WHEEL NUT (4)

GT851415

ASSEMBLING REAR UP ARMS

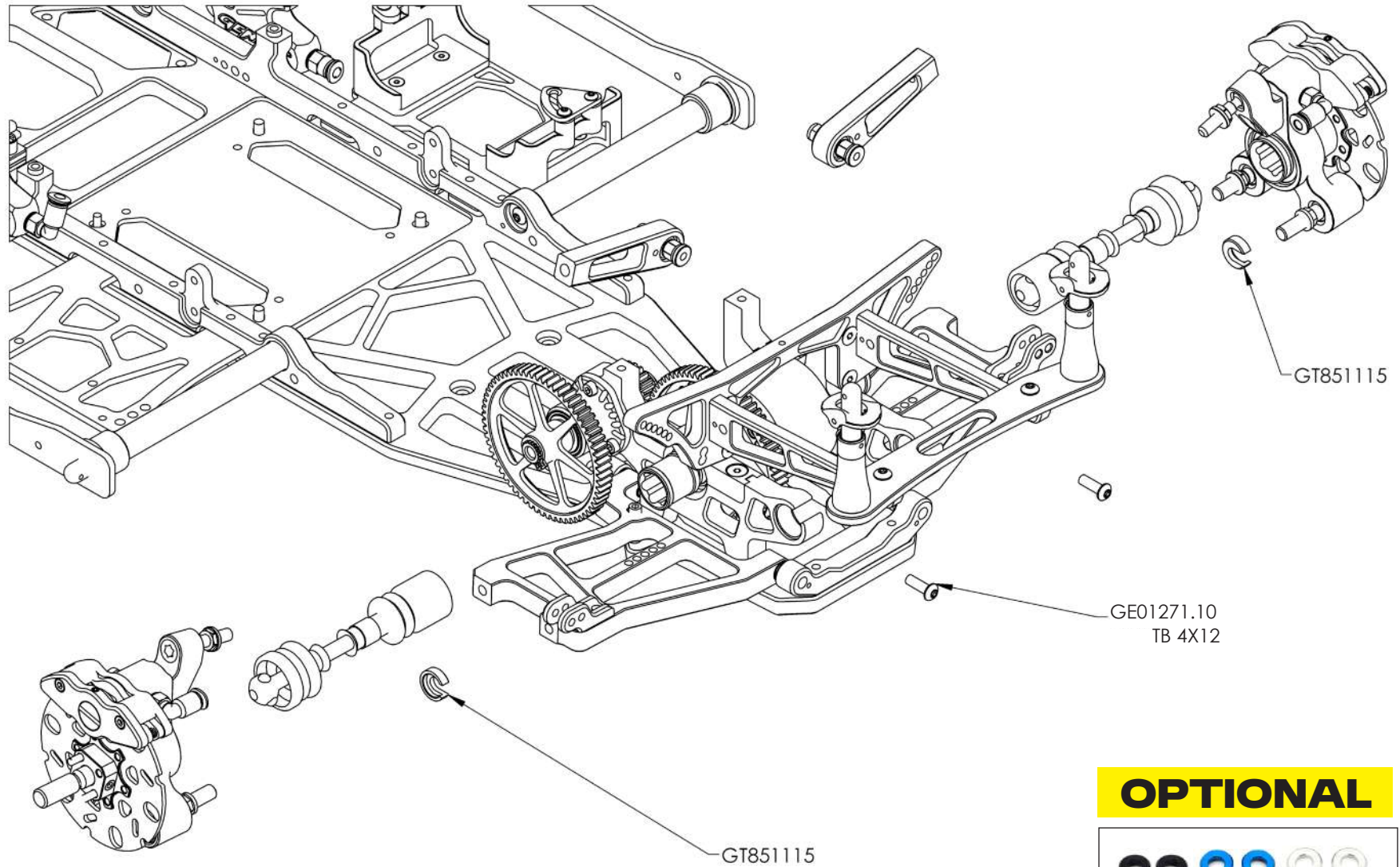


CARDAN AXEL ASSEMBLING



| | |
|--|-------------------|
|  | |
| TRANSMISSION GREASE | GE00310.20 |

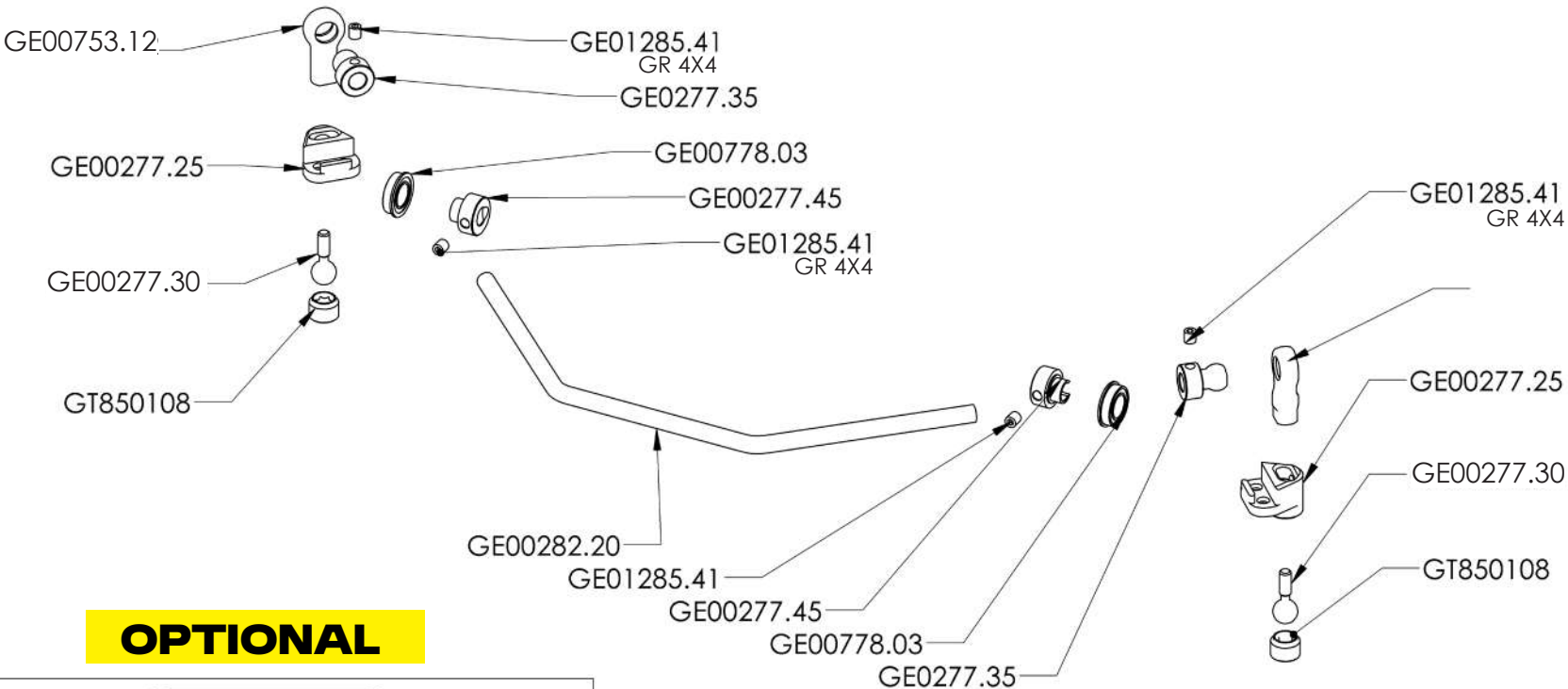
REAR ASSEMBLING



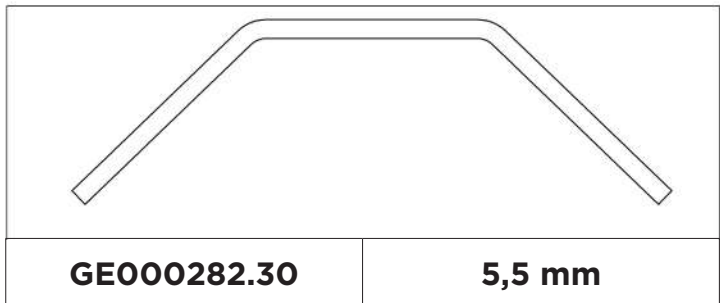
OPTIONAL


GT851115
SUSPENSION ARM ENDCAP
SPACER 1-2-3 (2+2+2)

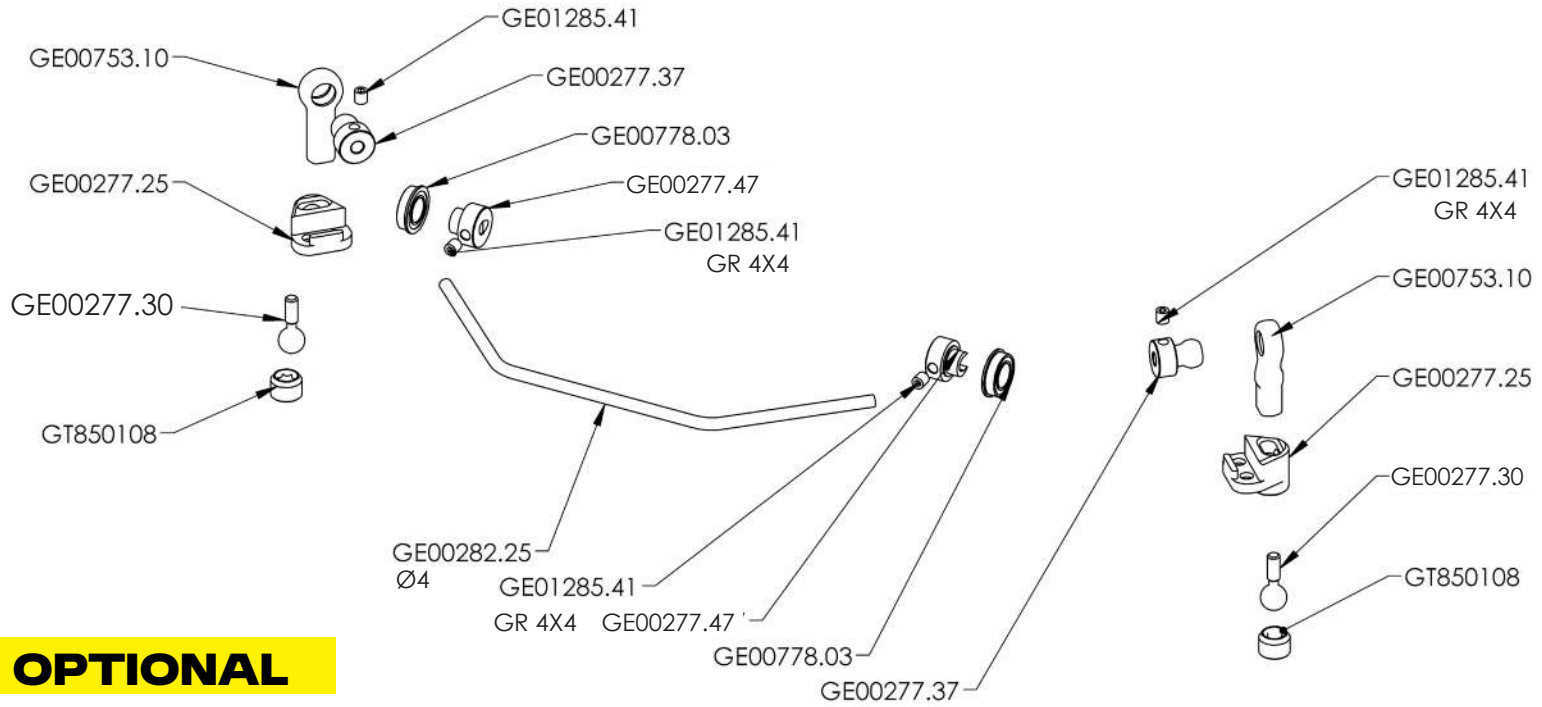
FRONT ANTI-ROLL BAR



OPTIONAL



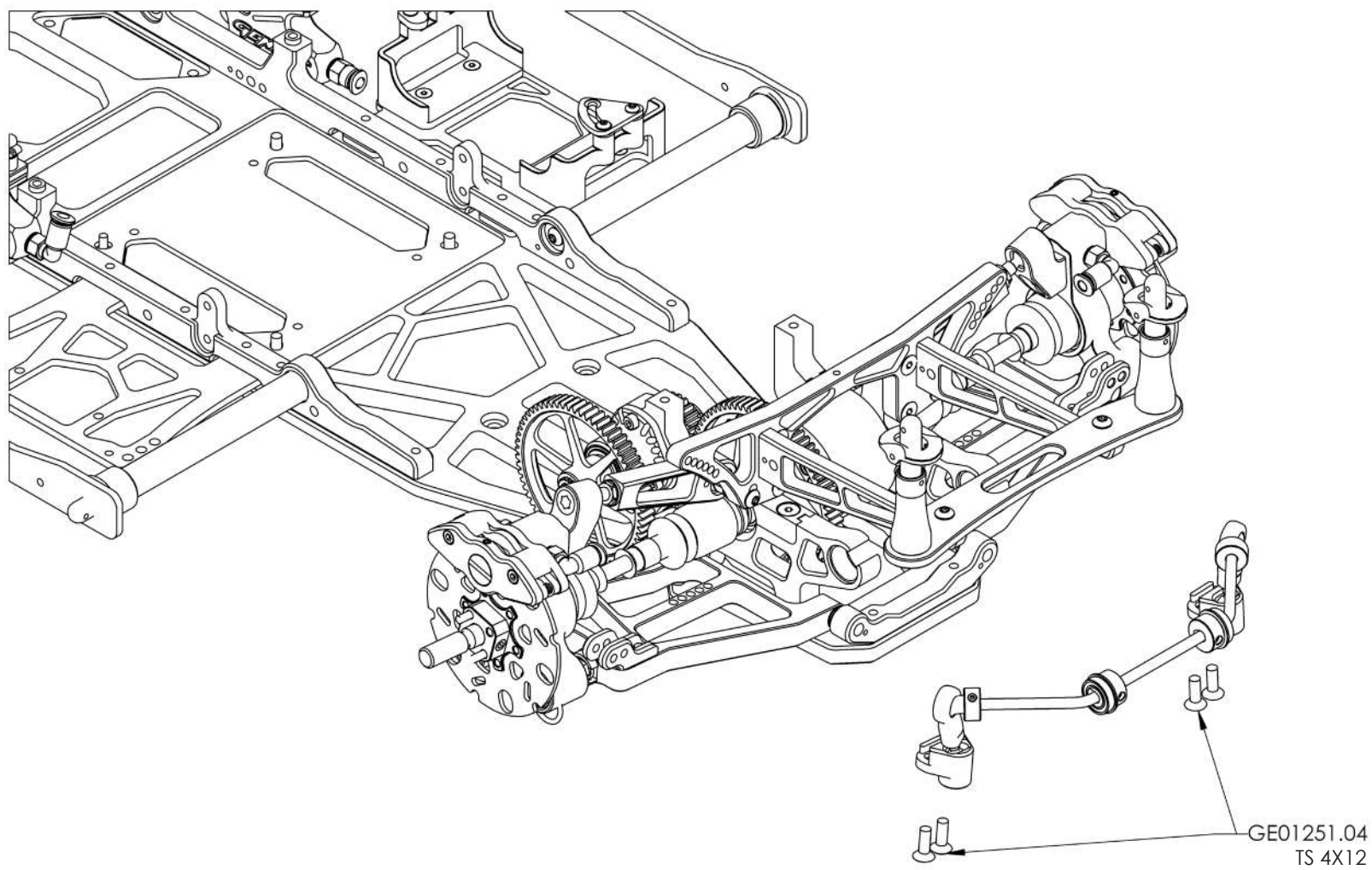
REAR ANTI-ROLL BAR



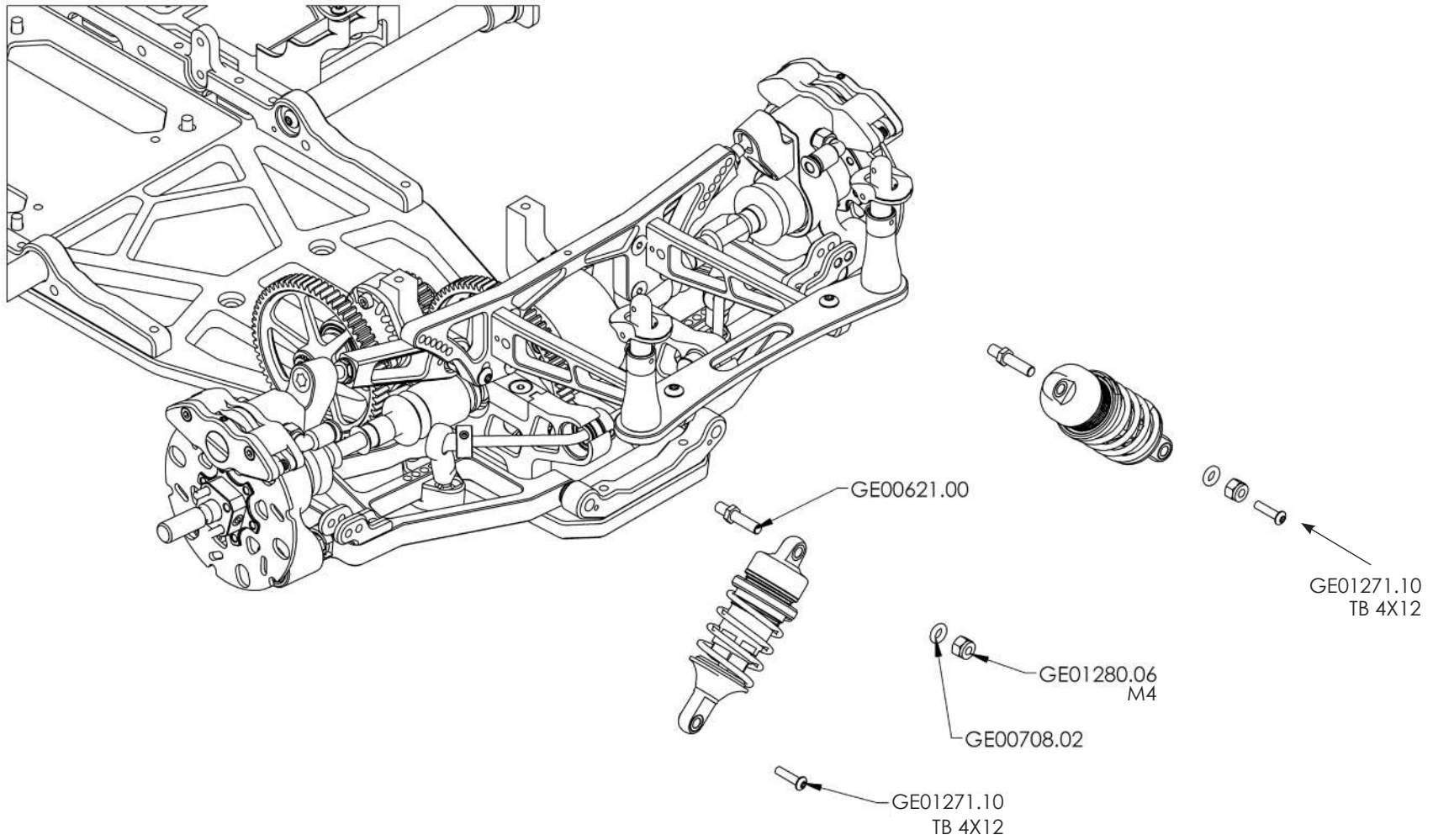
OPTIONAL

| | |
|-------------|--------|
| | |
| GE000282.40 | 4,5 mm |

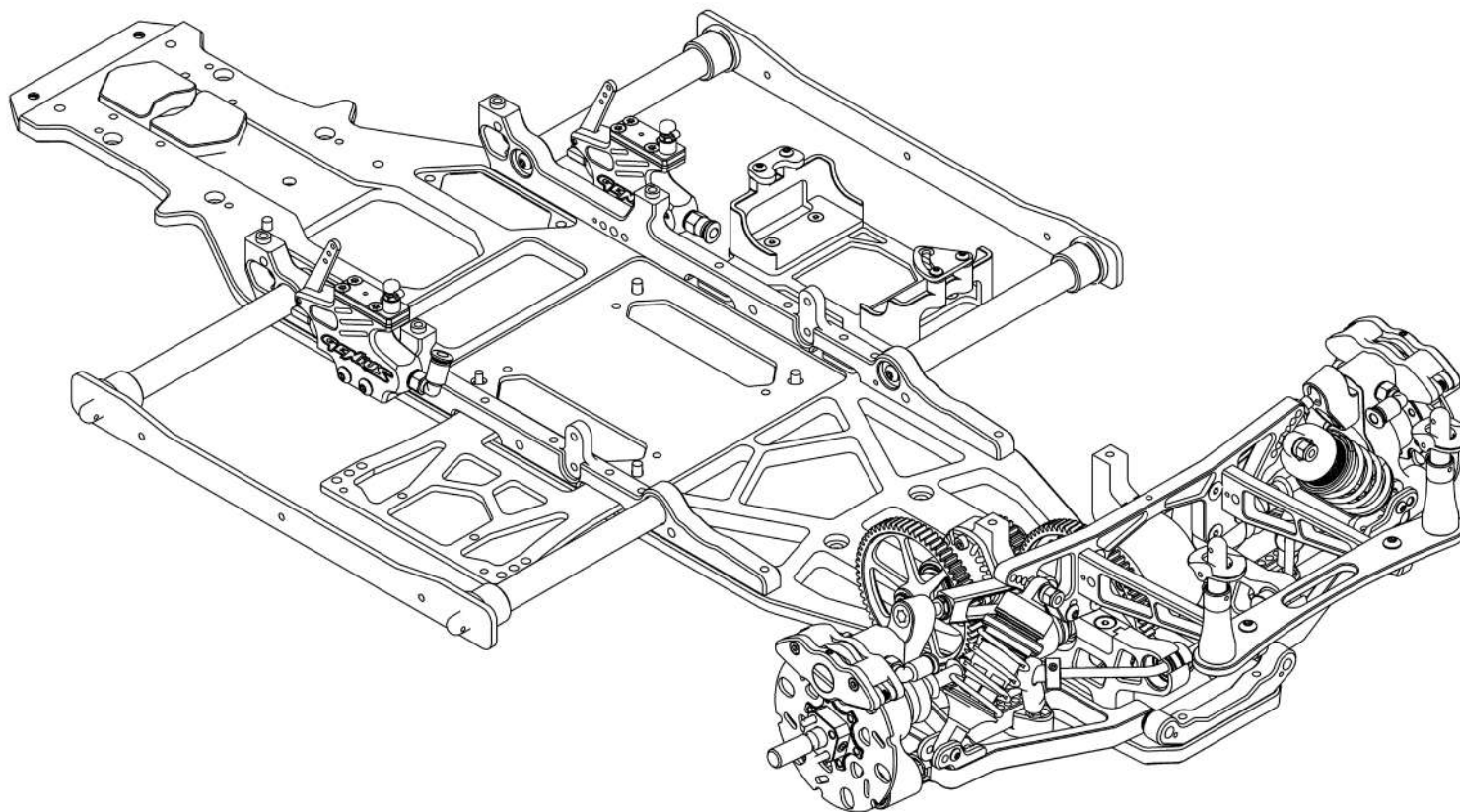
ASSEMBLING REAR ANTI-ROLL BAR



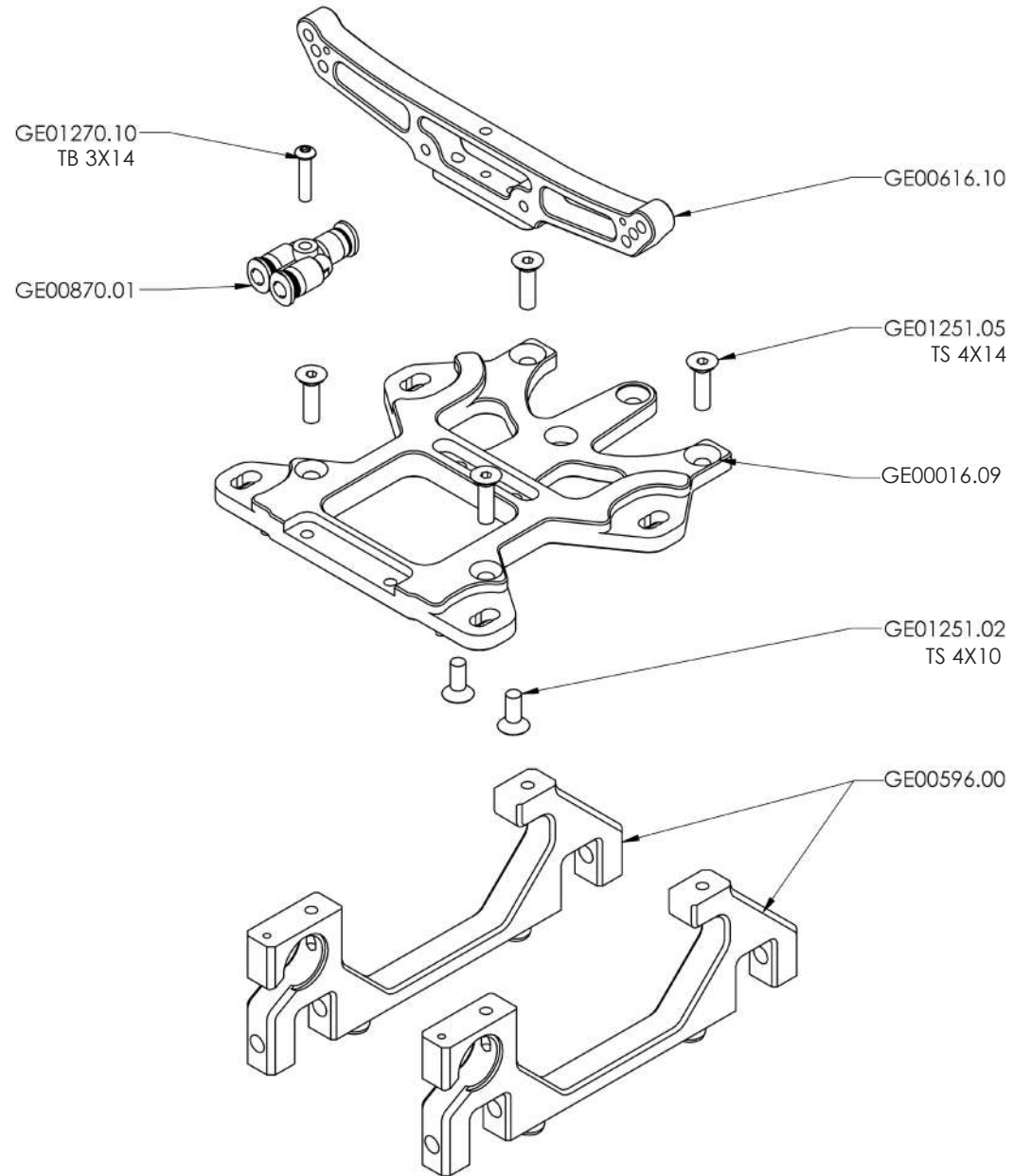
REAR SHOCKS ASSEMBLING



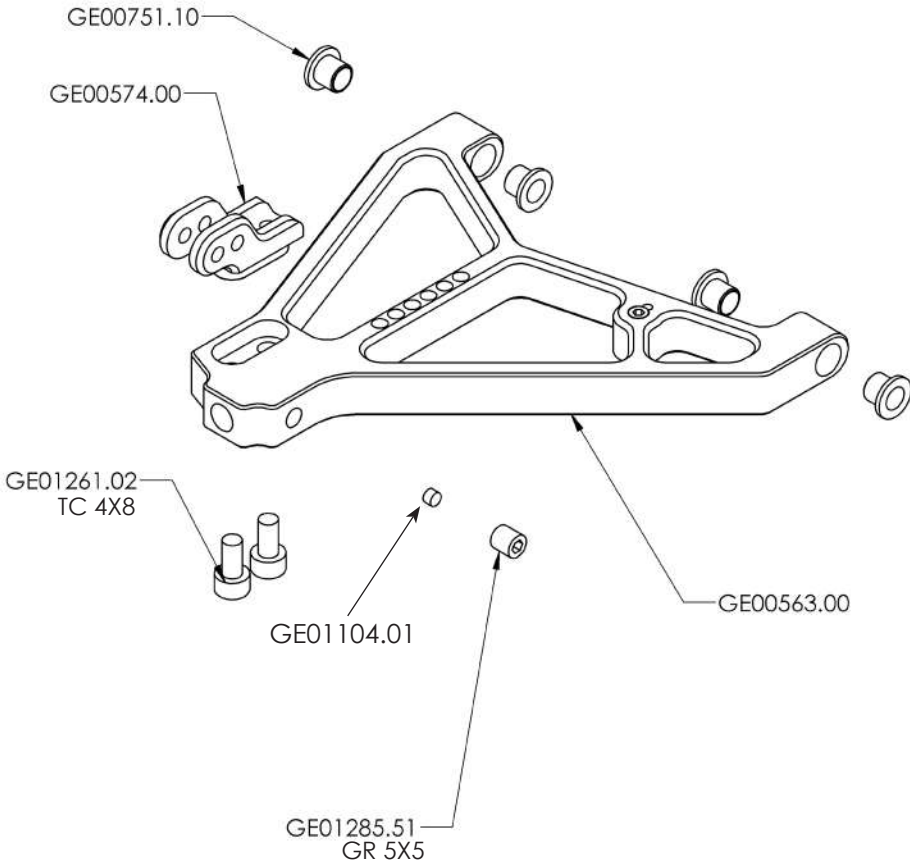
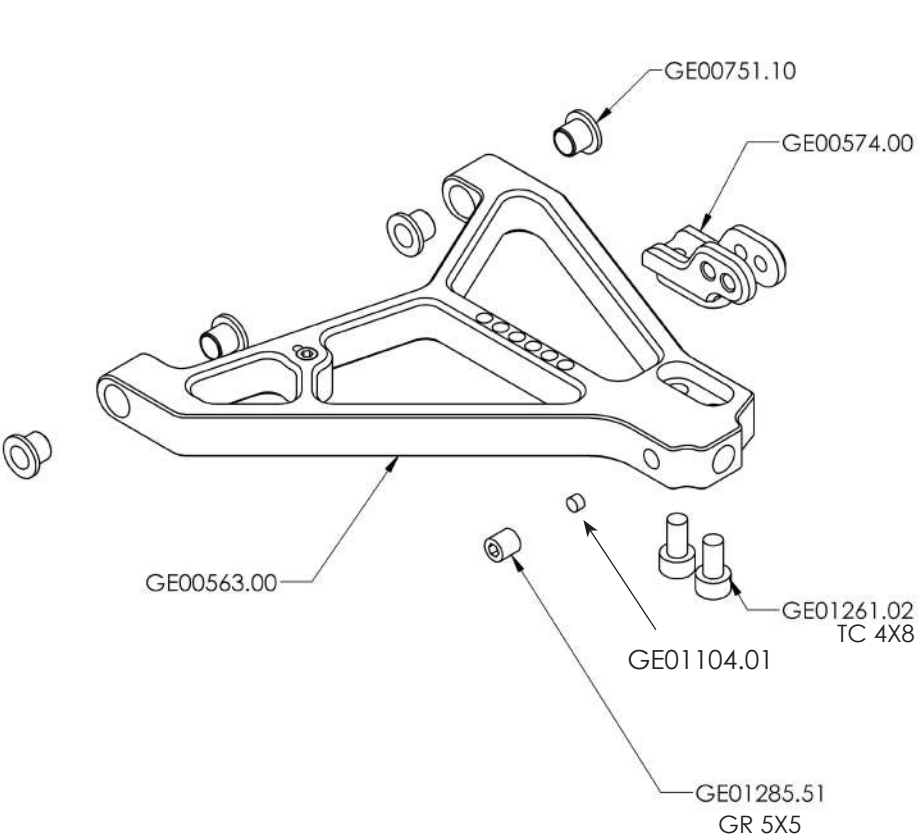
REAR SHOCKS ASSEMBLING



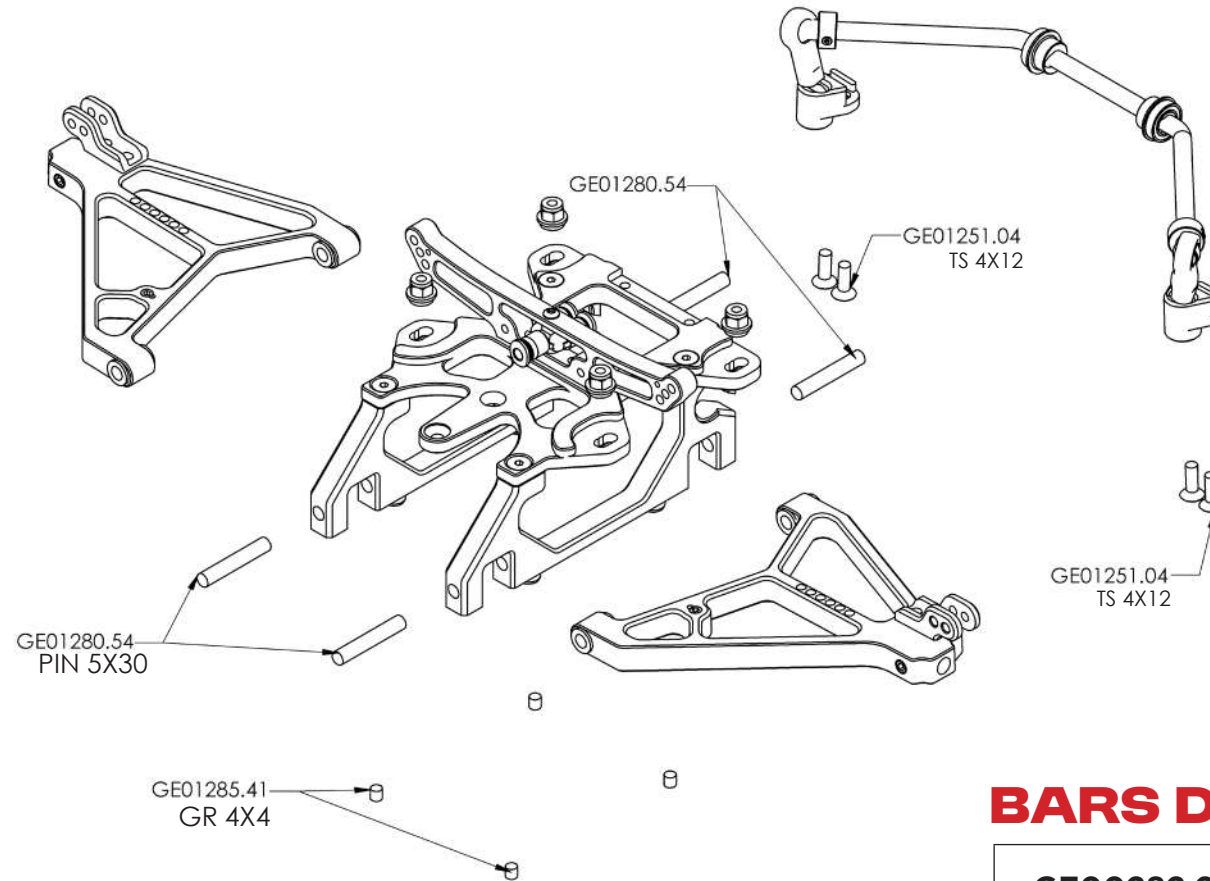
FRONT BULKHEAD



LOWER SUSPENSION ARM FRONT



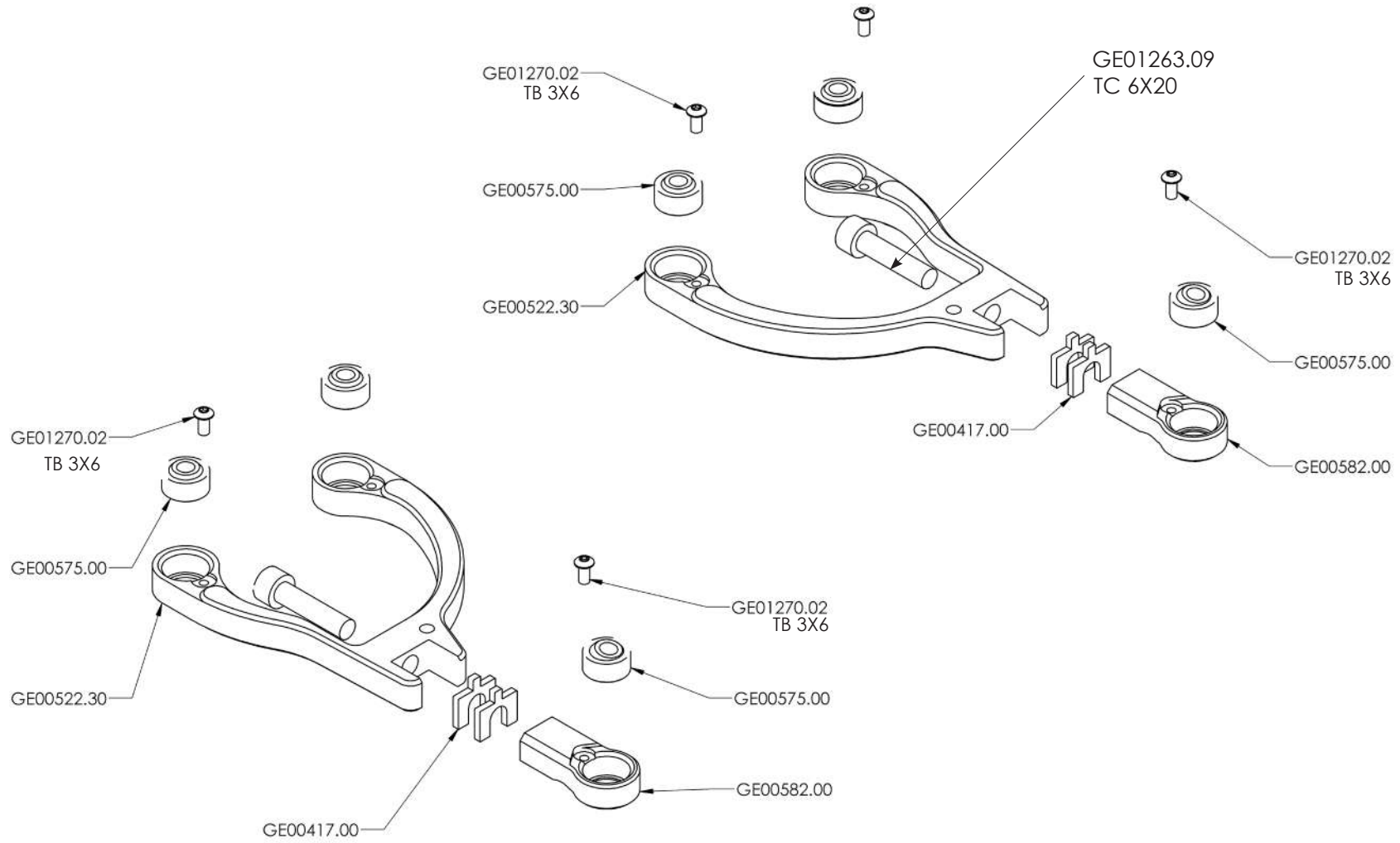
FRONT ASSEMBLING



BARS DIMENSIONS

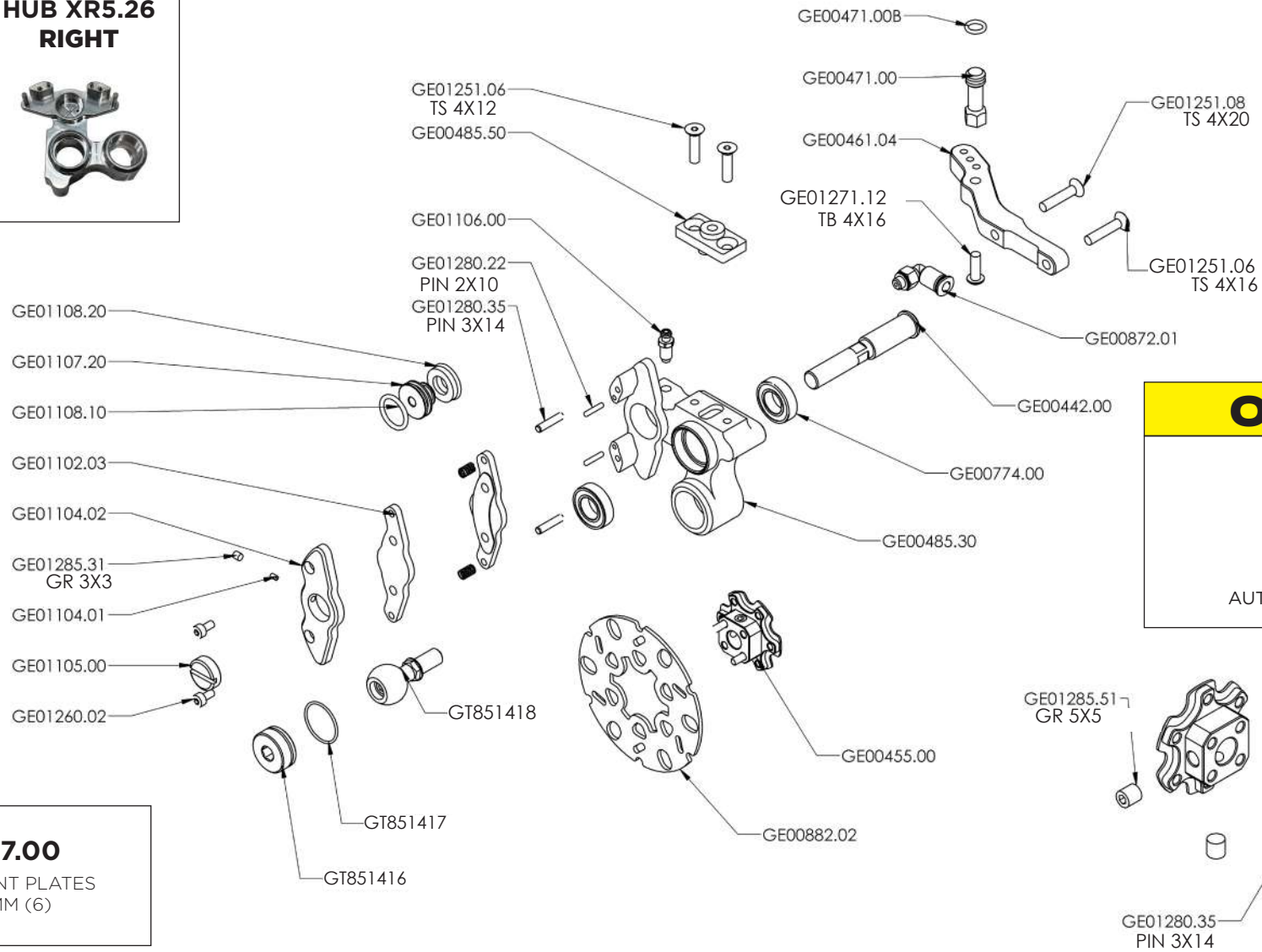
| | |
|-----------------|-------|
| GE00282.20 | Ø 6 |
| GE00282.30 | Ø 6.4 |
| OPTIONAL | |

ASSEMBLING FRONT UP ARMS



FRONT UP RIGHT

| GE00485.30 | GE00485.40 |
|---|---|
| HUB XR5.26 RIGHT  | HUB XR5.26 RIGHT  |



OPTIONAL

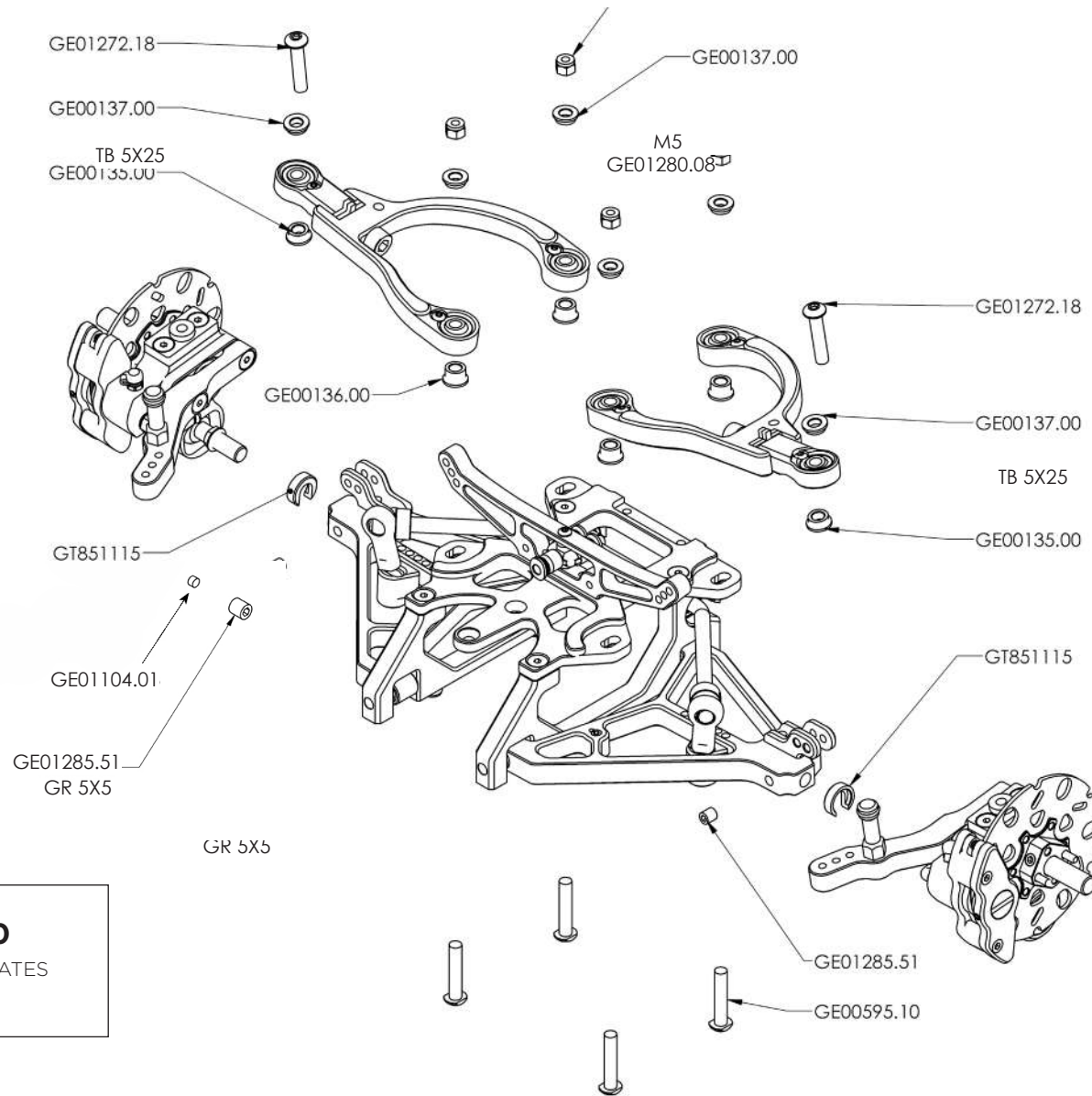


GE00730.10
AUTOLOCKING WHEEL NUT (4)



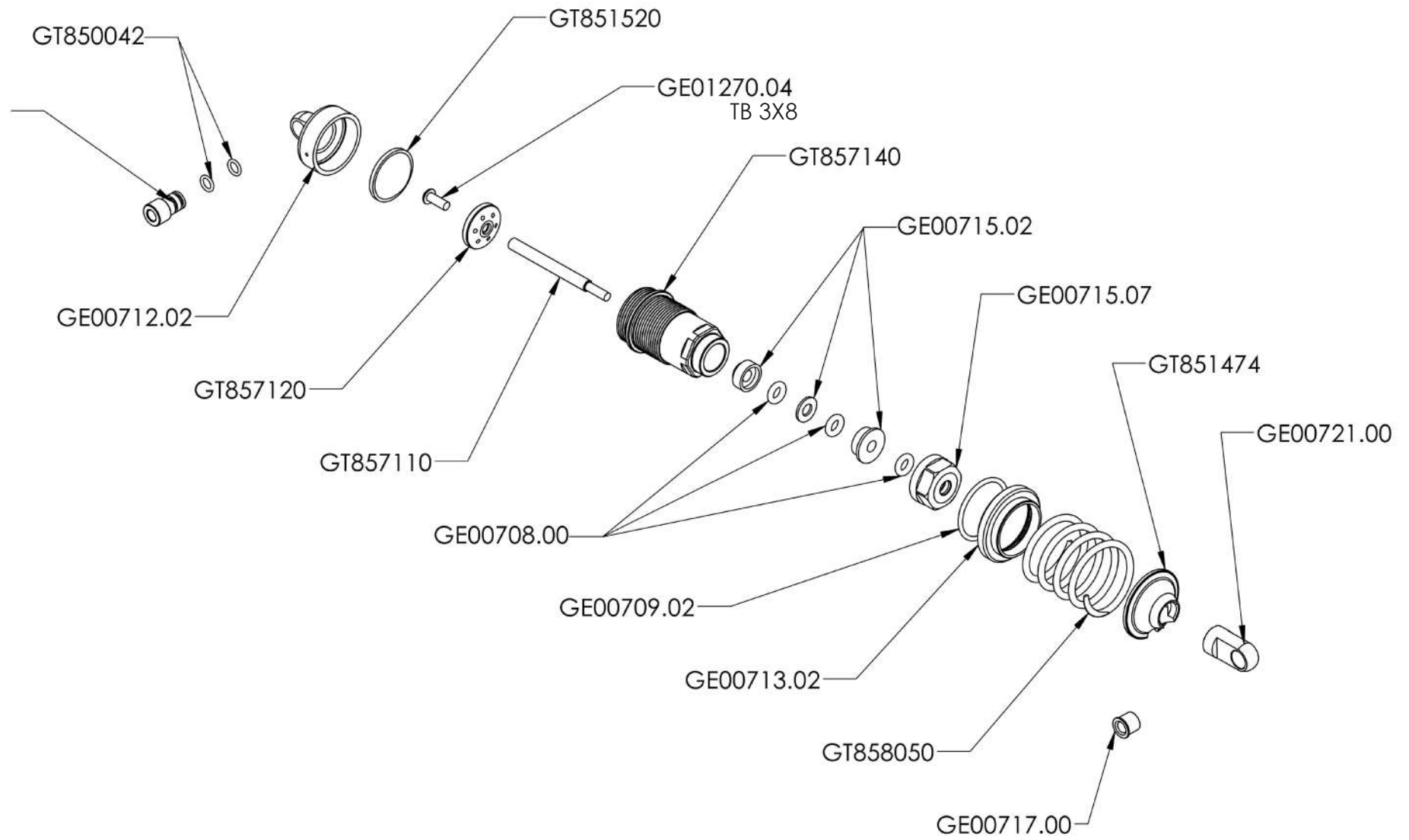
GE00417.00
ADJUSTMENT PLATES
0.5, 1.0, 2.0MM (6)

FRONT ASSEMBLING



GE00417.00
ADJUSTMENT PLATES
0.5, 1.0, 2.0MM (6)

SHOCK ASSEMBLING



SHOCK ASSEMBLING



SPRING TABLE AND KITS

GT8 AND XR4.22 - XR5.26

1:5 F1 & XR - XR4 EVO

LINEAR

PROGRESSIVE

BICONICAL

SOFT

SOFT

ORANGE

GT858065



YELLOW

GT858060



RED

GT858055



WHITE

GT858050



DARK BLUE

GT858070



BLUE

GT858045



DARK GREY

GT858075



BLACK

GT858040



GOLD

GT858080



PINK

GT858082



PURPLE

GT858085



SILVER

GT858090



OCRA

GT858095



GREEN FLUO

GT858100



YELLOW

GE00766.00



BLACK

GE00768.00



SILVER

GE00759.01



GREEN FLUO

GE00769.04



ORANGE

GE00769.03



LIGHT BLUE

GE00767.00



GREEN

GE00760.01



GOLD

GE00761.01



RED

GE00769.00



WHITE

GE00769.01



PINK

GE00769.02



HARD

HARD

KIT SPRINGS



GT858000
SHOCK SPRINGS SET (10)



GT858001
SHOCK SPRINGS SET
KIT LINEAR (10)



GT858002
SHOCK SPRINGS SET
KIT PROGRESSIVE (10)



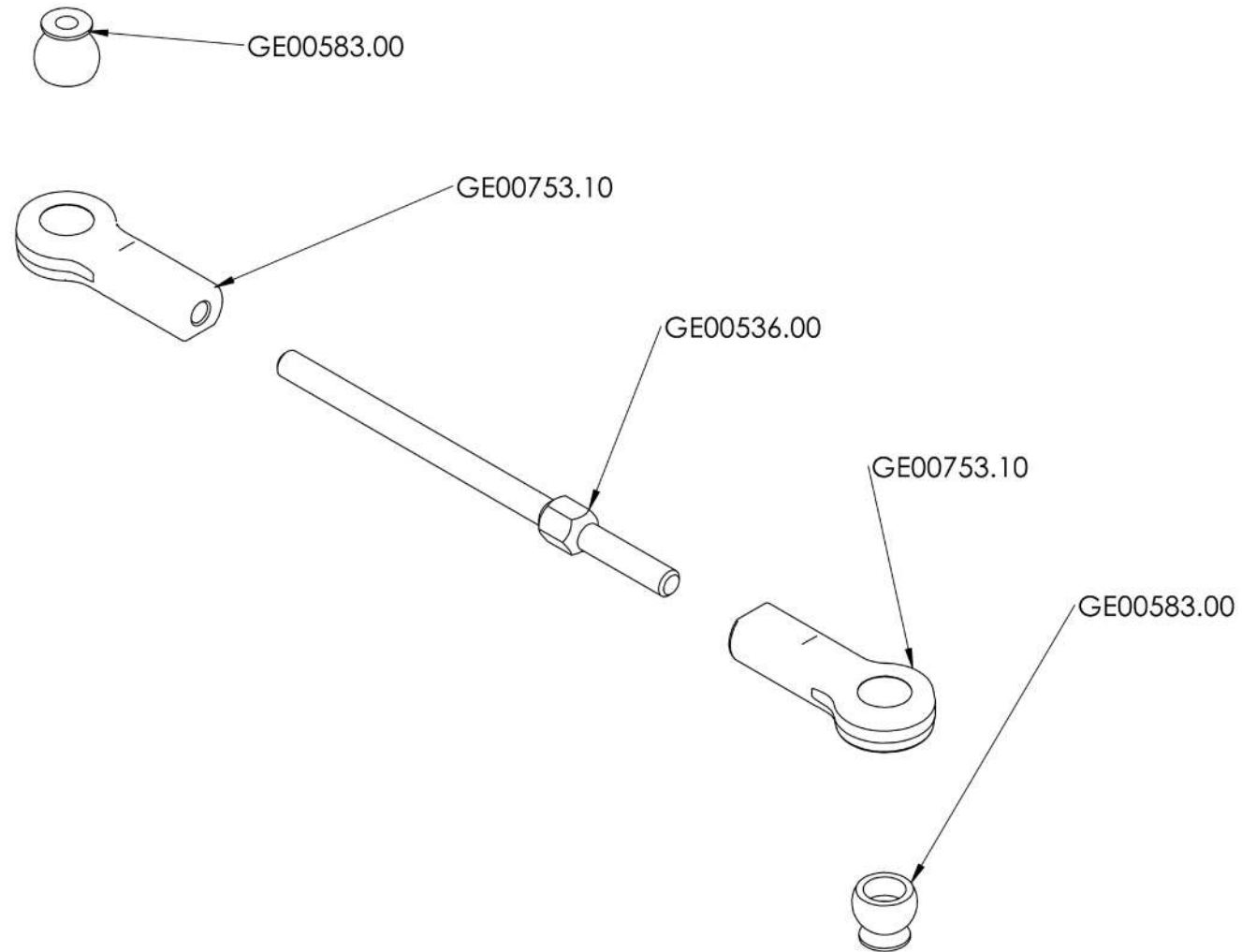
GE00769.50
PROGRESSIVE **BICONICAL**
SPRING KIT



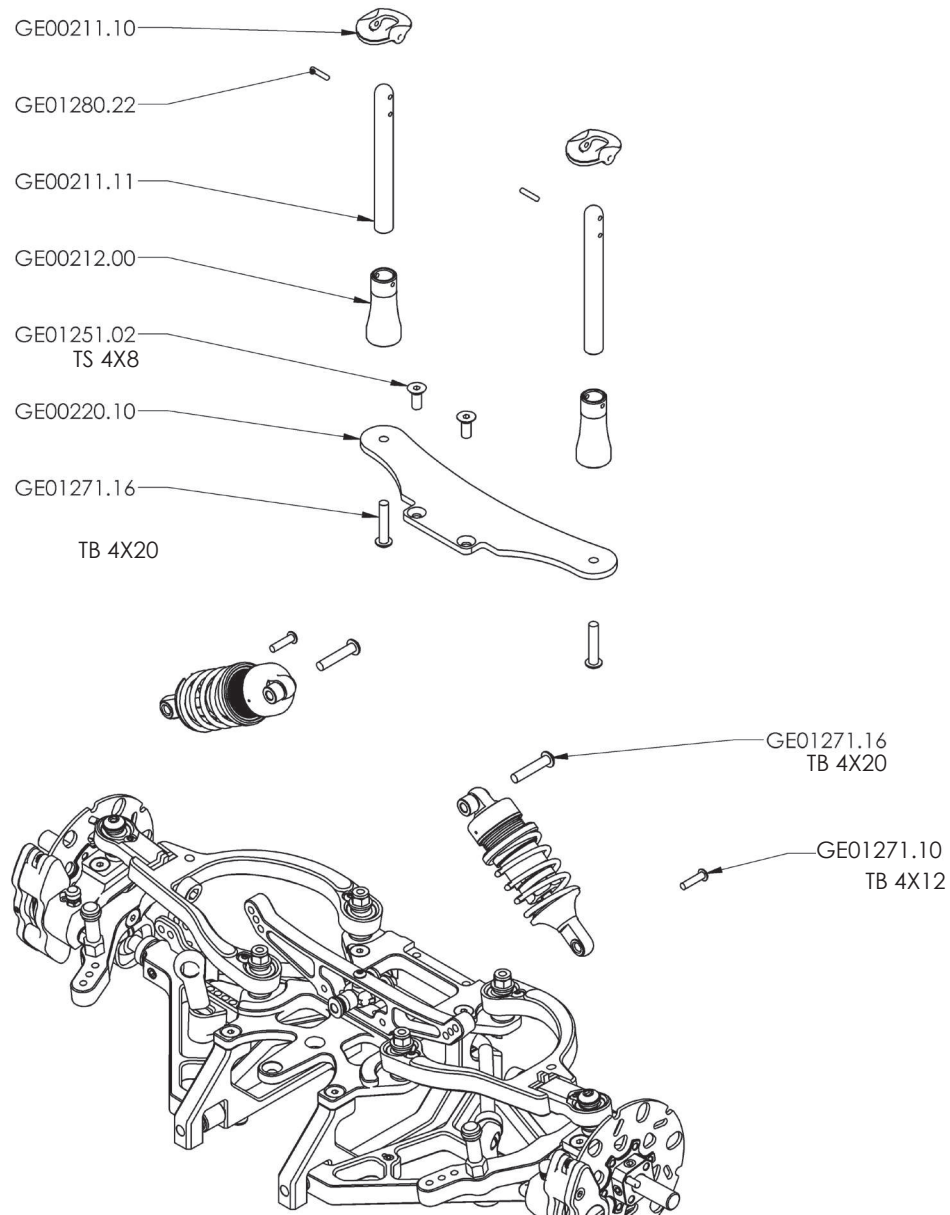
SHOP NOW

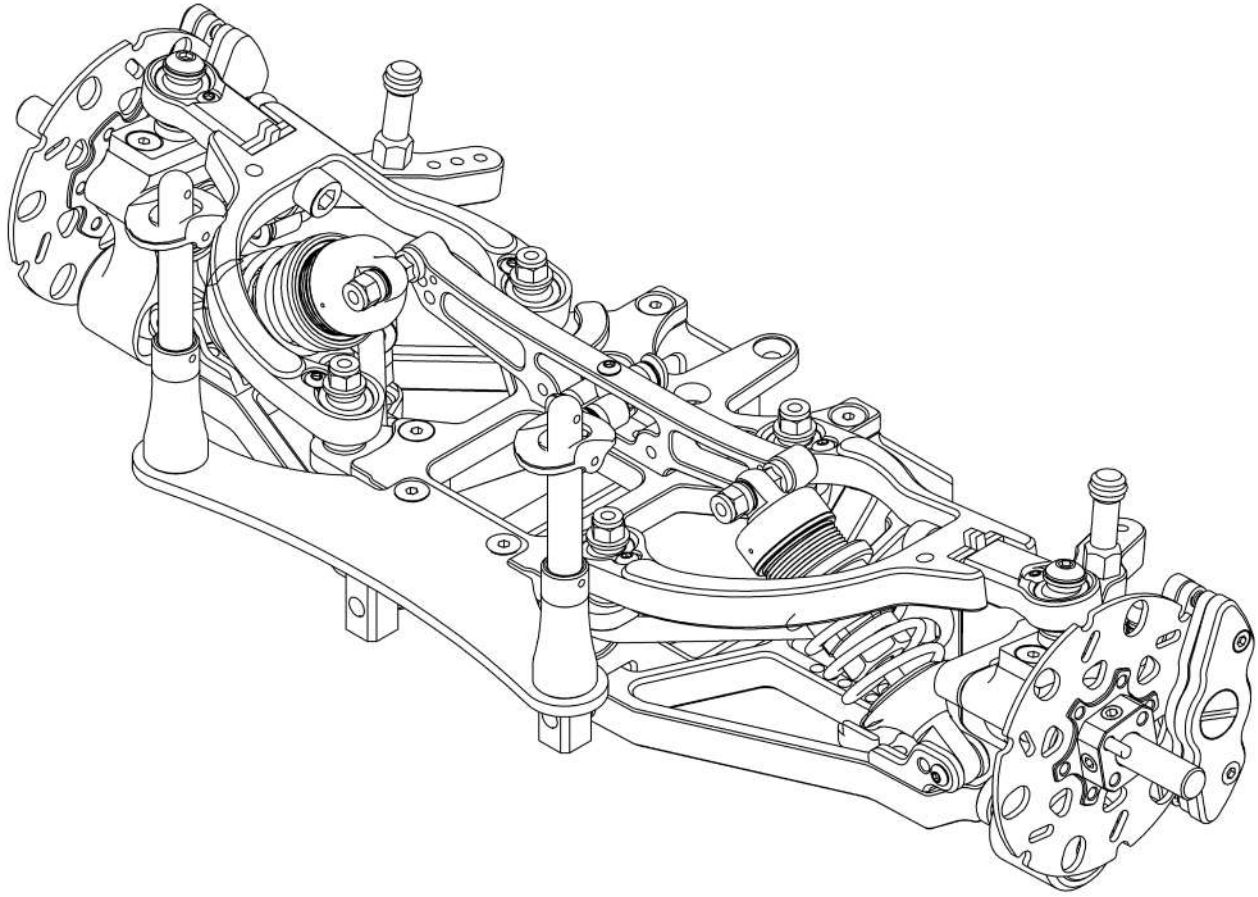
WWW.MODELTEKSHOP.COM

STEERING ARMS

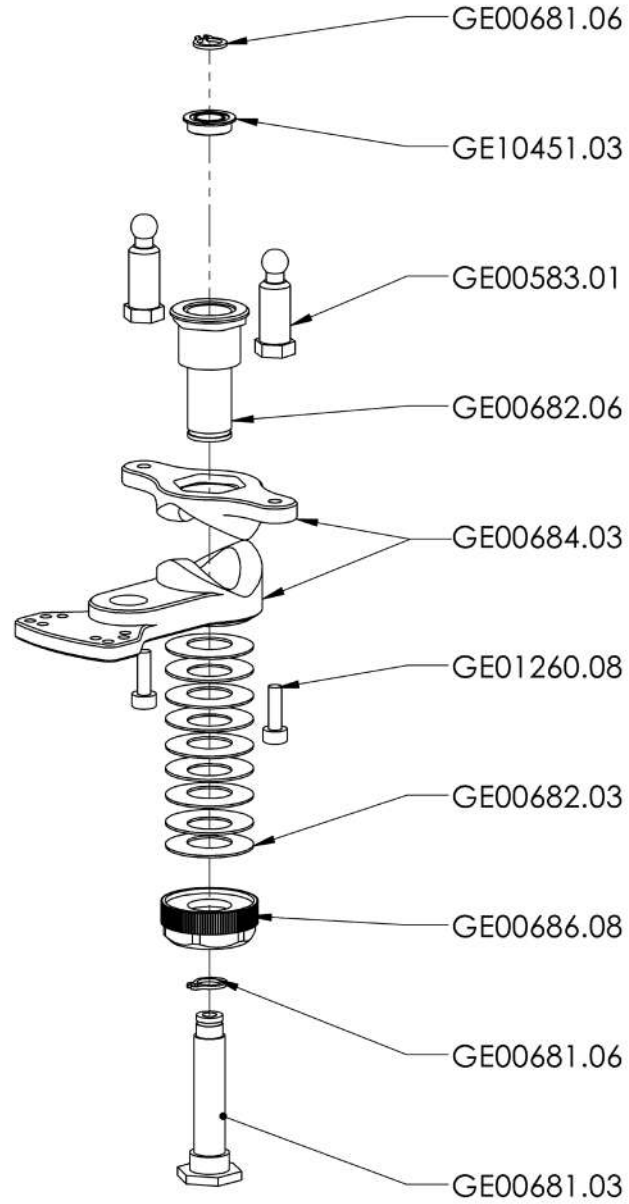


FRONT BODY MOUNT AND SHOCKS

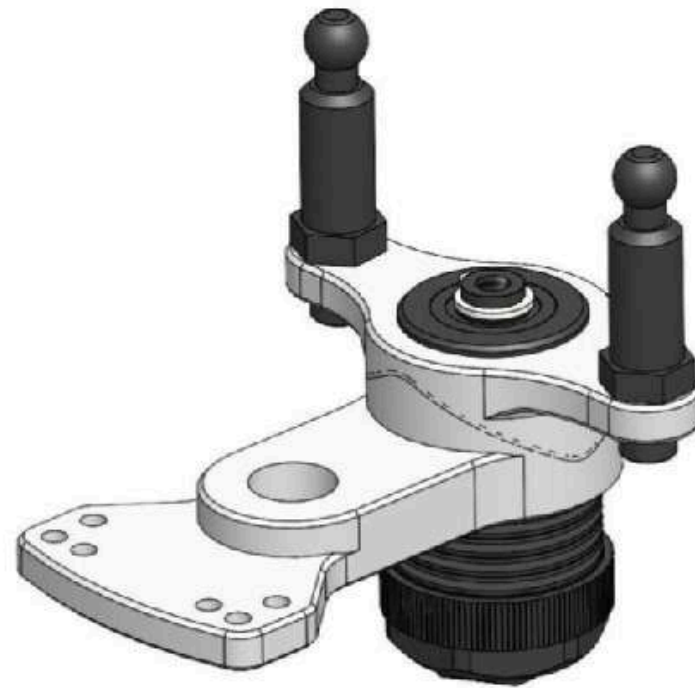




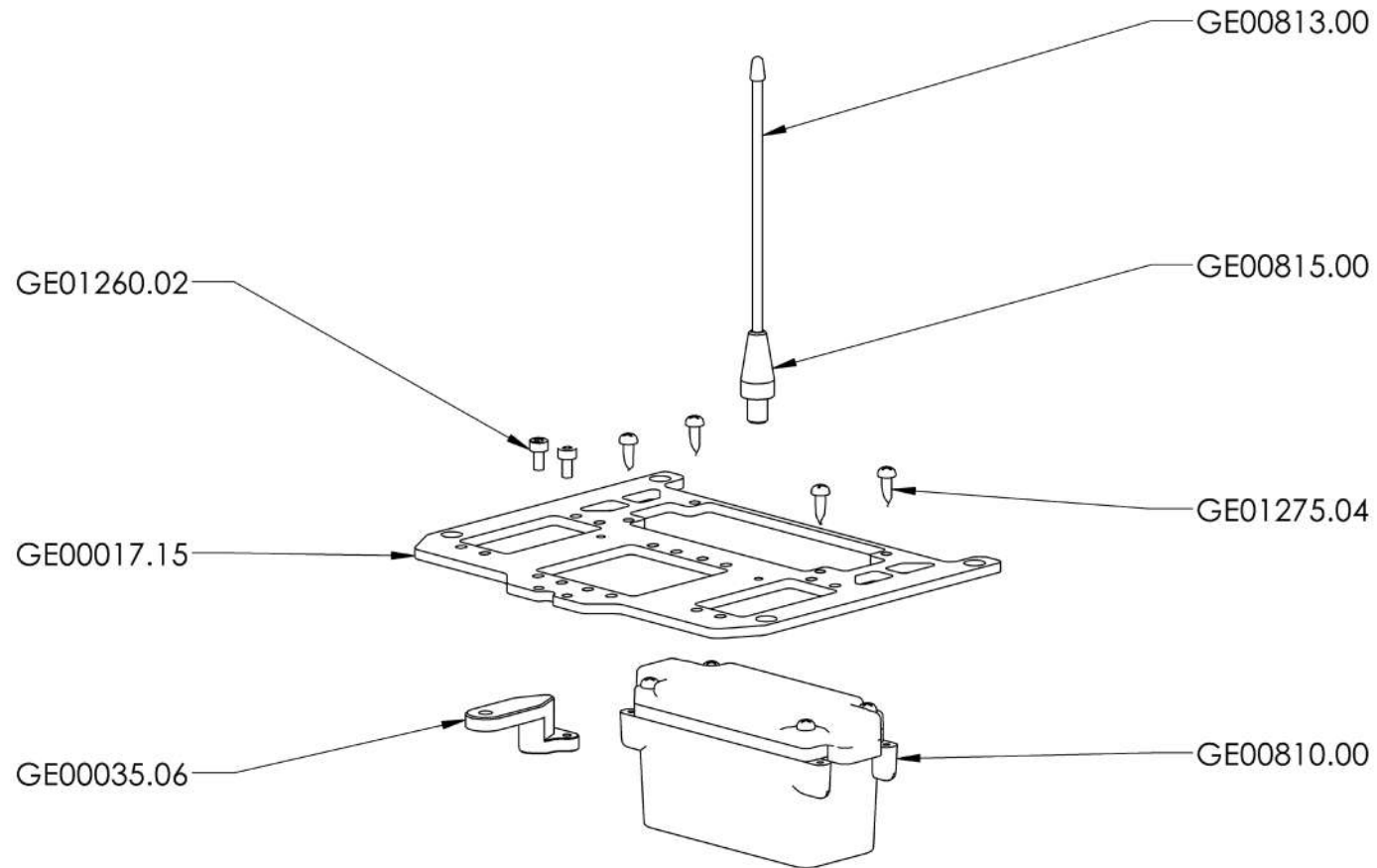
SERVO SAVER ASSEMBLING



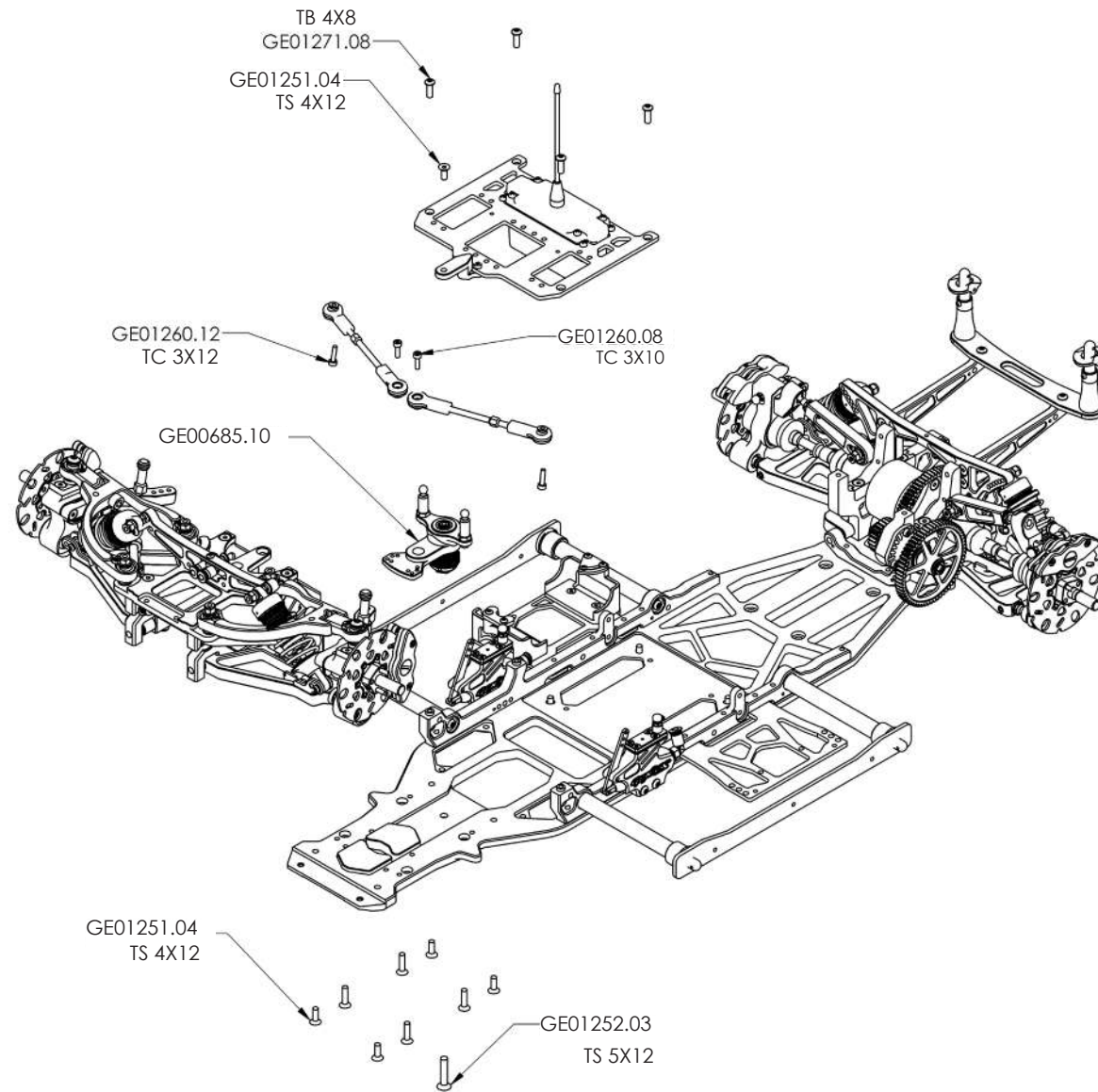
SERVO SAVER ASSEMBLING



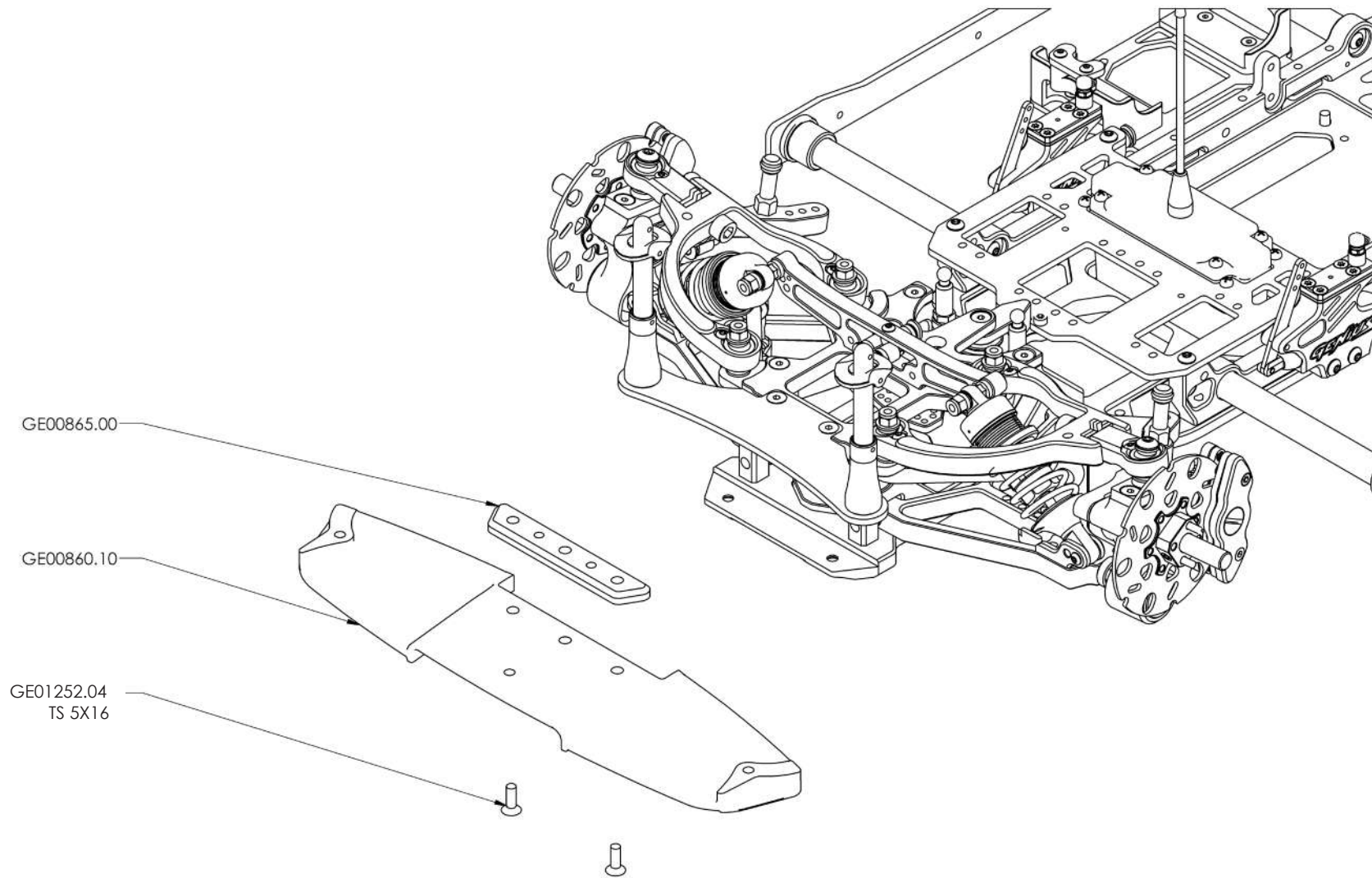
RADIO PLATE MOUNT



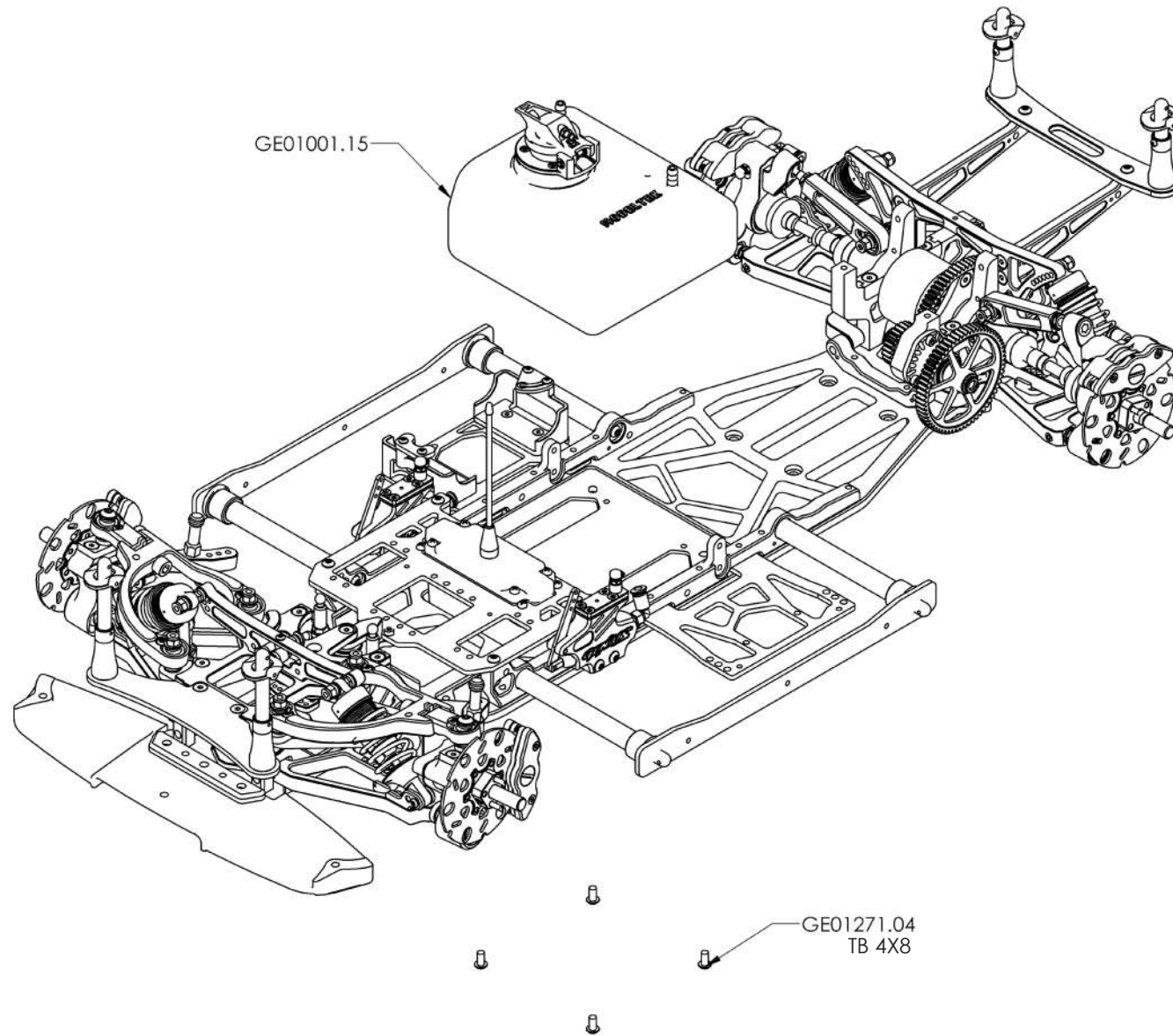
RADIO PLATE AND FRONT MOUNT



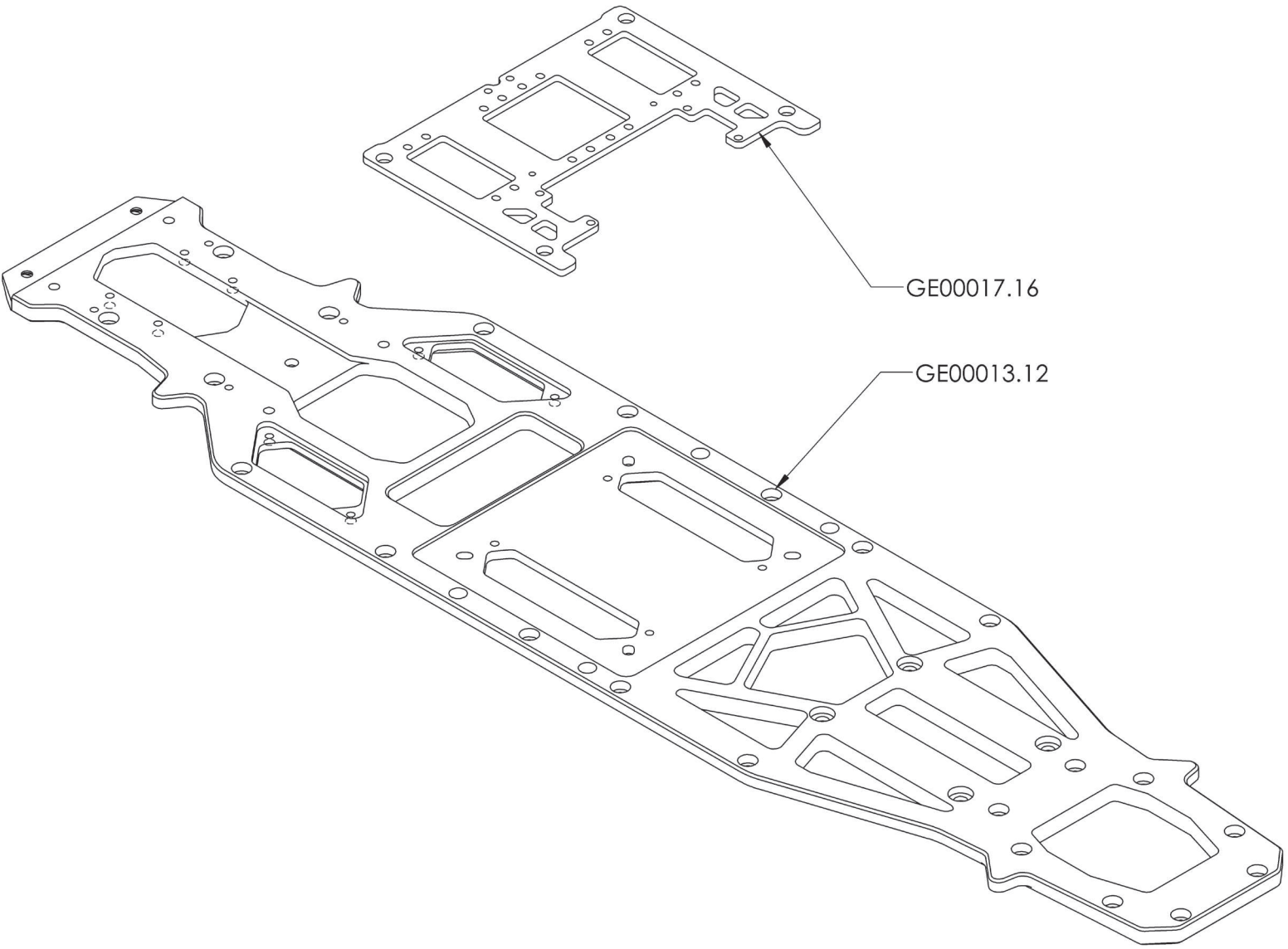
FRONT BAUMPER ASSEMBLING



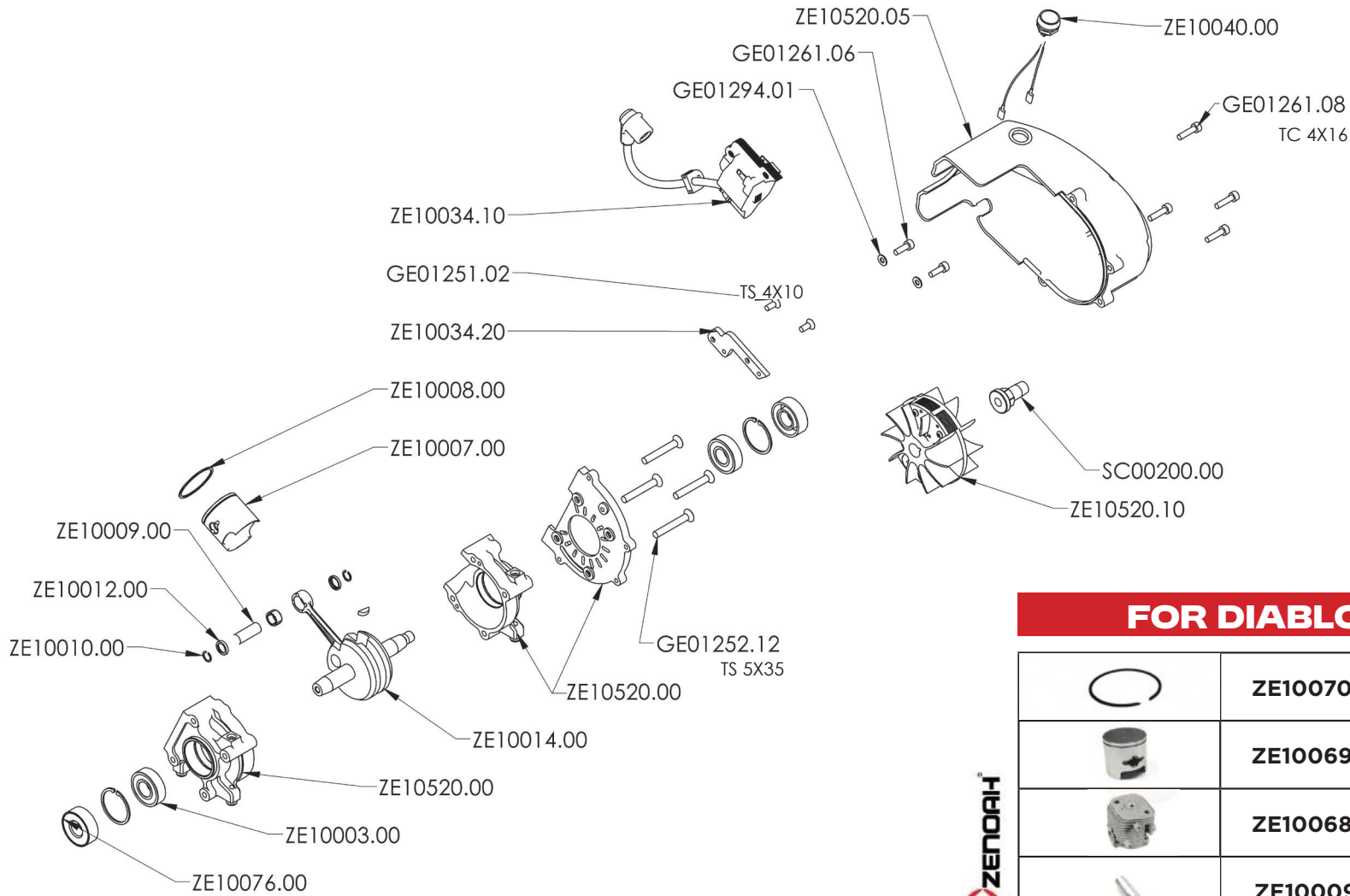
FUEL TANK ASSEMBLING



XR5.26 D 500mm







DIABLO R ASSEMBLING

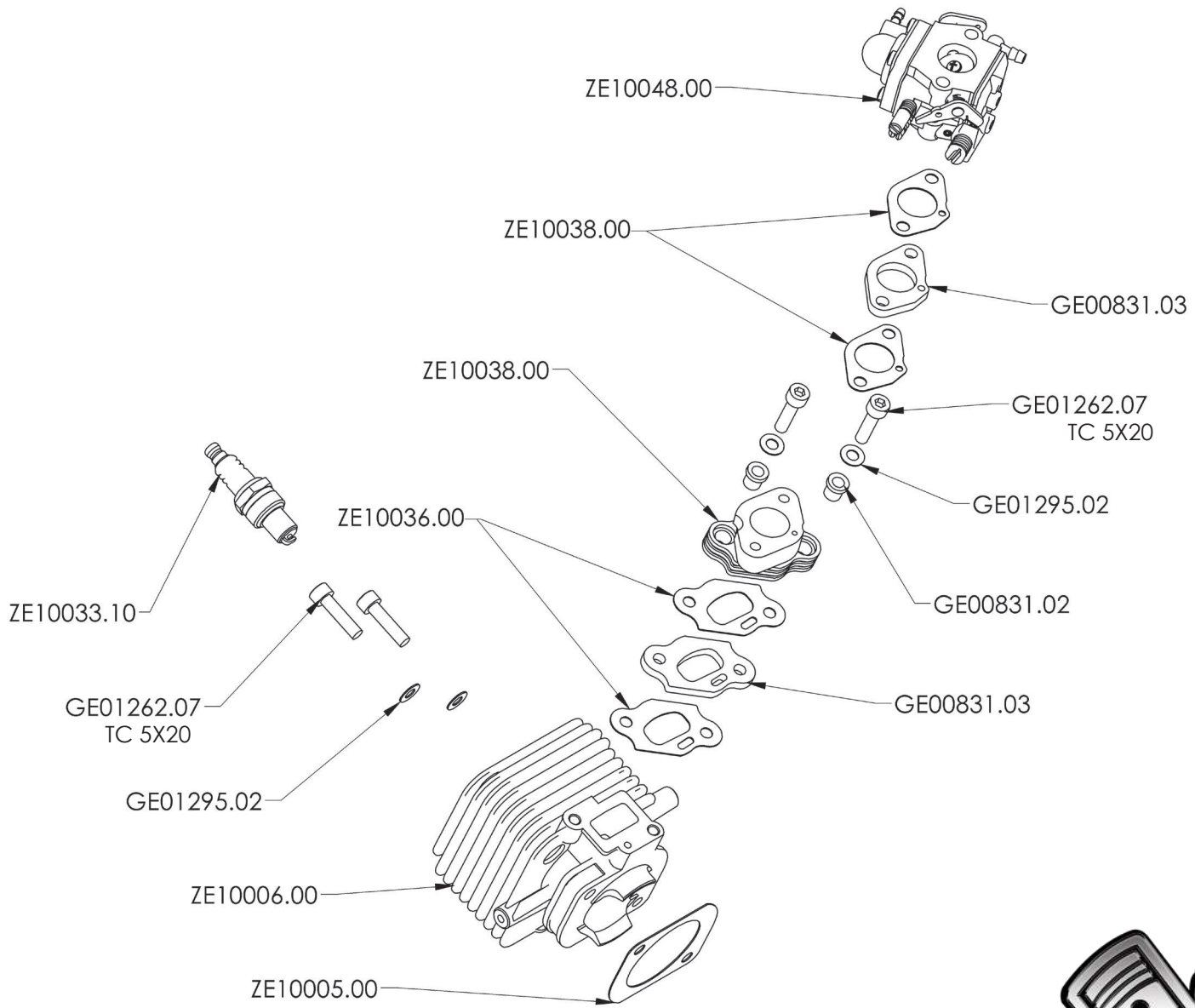


FOR DIABLO R 26CC



| | | |
|---|-------------------|--|
|  | ZE10070.00 | PISTON RING 26ccm/G260, (1) T2088-41210 |
|  | ZE10069.00 | PISTON 26ccm/G260, (1) T2088-41110 |
|  | ZE10068.00 | CYLINDER 26ccm/G260, (1) T270012110 |
|  | ZE10009.10 | GUDGEON PIN G260, (1) Art. 1600-41310 |

DIABLO R ASSEMBLING



RENDERING ENGINE DIABLO R



OPTIONALS DIABLO R



ZE10520.30



DIABLO R MOTOR FIXING PLATE

ZE10520.40



DIABLO R CASTLE FIXING PLATE

ZE10520.20



CLUTCH SUPPORT SET

ZE10520.10



COOLING FAN DIABLO R

MA00962.10



**MANIFOLD TIT. FOR BEST PIPE
ENGINE DIABLO R**

SC00200.00



**START-ADAPTER FOR
E-STARTER/FANWHEEL**

OPTIONALS DIABLO R

FOR OTHERS RC CARS



ZE10520.34



**DIABLO R MOTOR
ENGINE MOUNT FW01.25**

ZE10520.32



**DIABLO R MOTOR
ENGINE MOUNT S88.26**

ZE10520.44



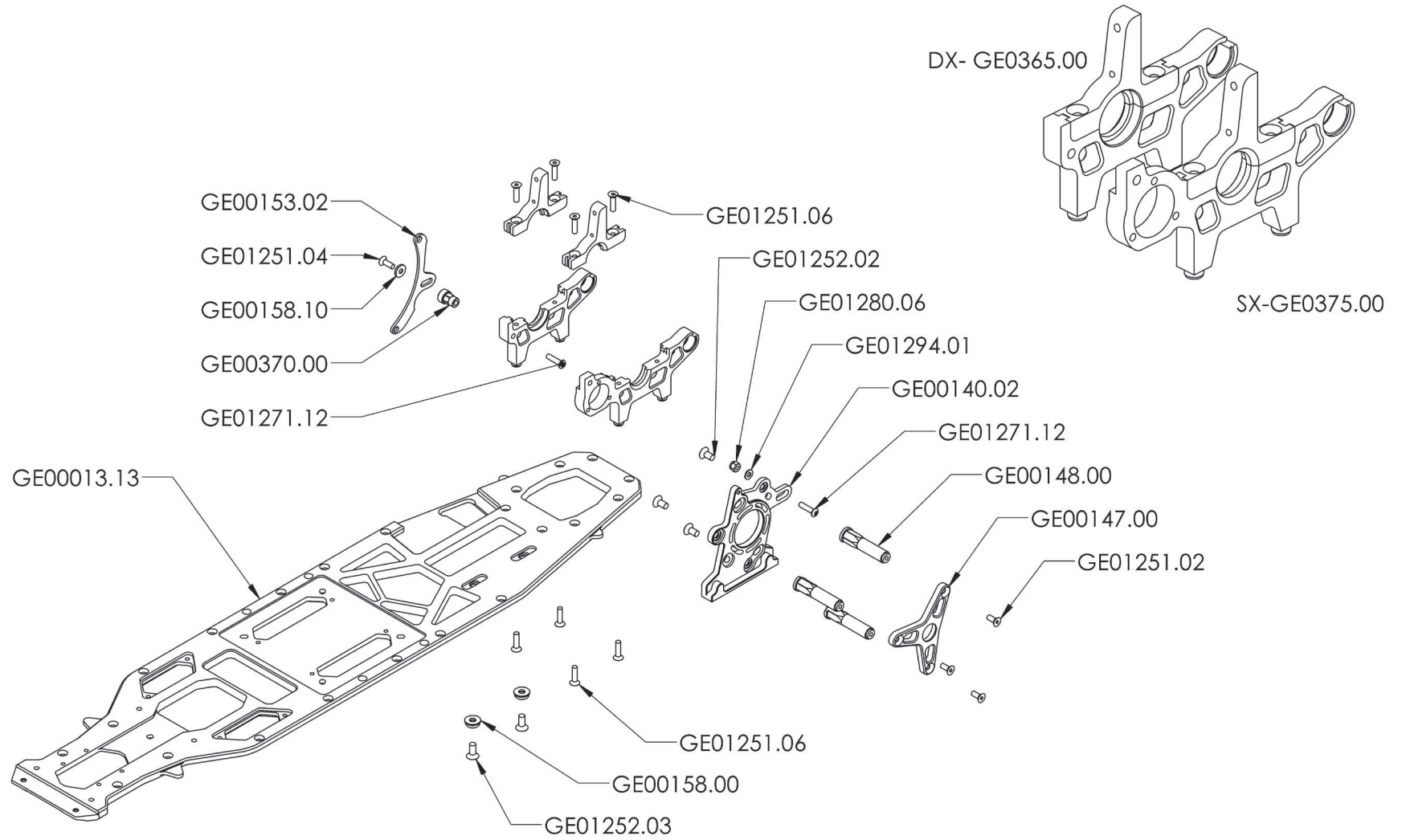
**DIABLO R REAR
ALUMINUM SUPPORT FW01.25**

ZE10520.42

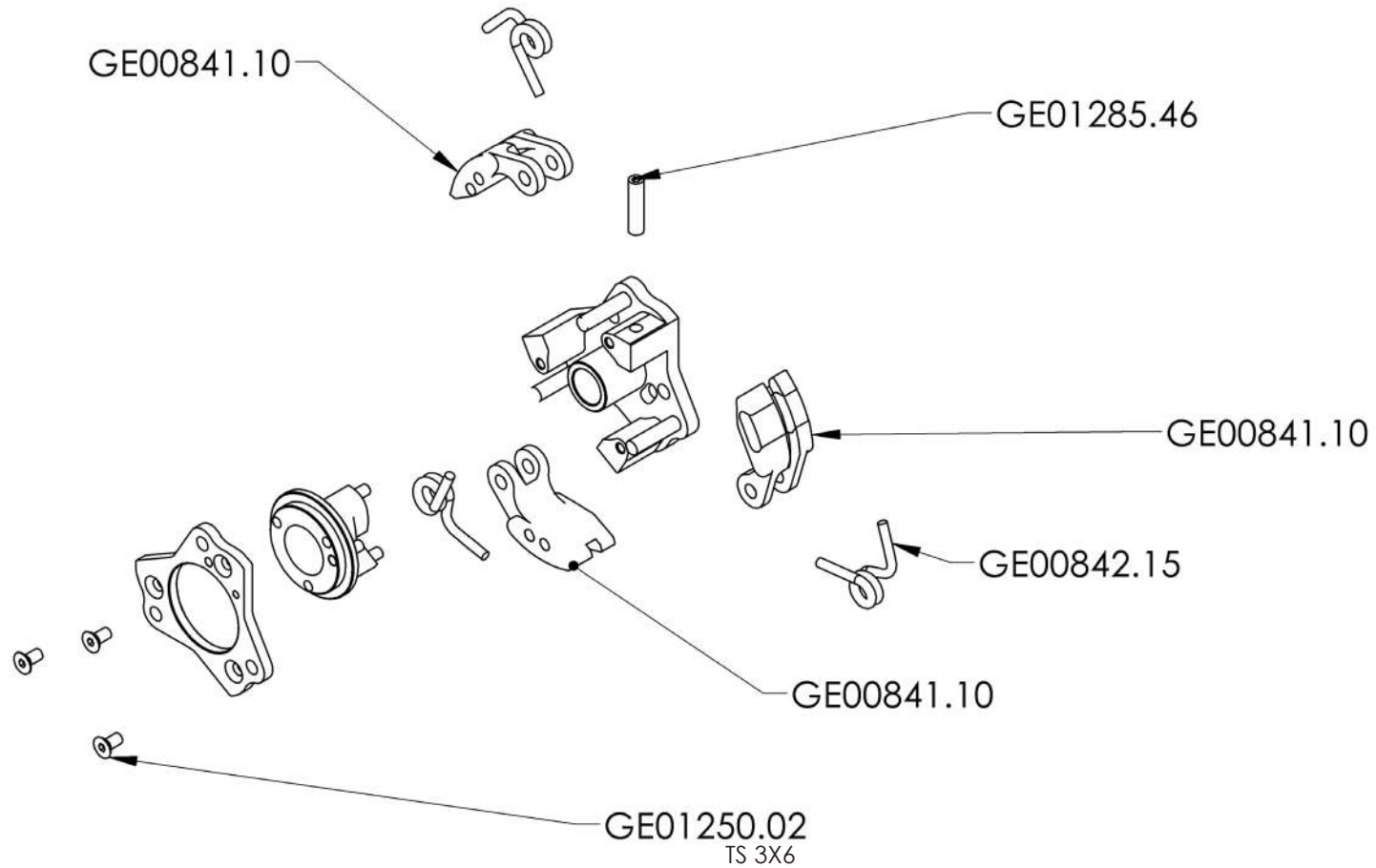


**DIABLO R REAR
ALUMINUM SUPPORT FW01.25**

XR5.26 S ASSEMBLING



CLUTCH ASSEMBLING - TORKX



CLUTCH ASSEMBLING - TORKX



THE TORKX CLUTCH IS FOR **ALL SERIES XR5.26**



| | |
|-------------------|------------|
| GE01250.01 | TS 3X6 |
| GE01285.46 | GRAIN 4X16 |
| GE01280.33 | PIN 3X12 |
| GE01280.31 | PIN 3X10 |



STANDARD EQUIPMENT

CLUTCH SPRINGS 2,5

RANGE 12.000 - 14.000 RPM

**IDEAL FOR
HIGH GRIP TRACK**

CODE: GE00842.15



OPTIONAL EQUIPMENT

CLUTCH SPRINGS 2,4

RANGE 9.000 - 11.000 RPM

**IDEAL FOR
LOW GRIP TRACK**

CODE: GE00842.10



STRAINS SUPPORT

FOR TORK X

CODE: GE00841.10



CODE: GE00839.20



MODELTEK

di Noacco Zeno

Via Madonna di Strada,34
33048 San Giovanni al Natisone (UD) Italy

+39 **0432 1849976** | info@genius-racing.com

www.modeltekshop.com | www.genius-racing.com



GENIUSRACING



GENIUSRACINGXR

